



US00D922136S

(12) **United States Design Patent**  
**Lin et al.**

(10) **Patent No.:** **US D922,136 S**  
(45) **Date of Patent:** **\*\* Jun. 15, 2021**

(54) **BOTTLE LID**

(71) Applicant: **FUJIAN SPD E-COMMERCE CO., LTD.**, Fujian (CN)

(72) Inventors: **Xiaoqiang Lin**, Fujian (CN); **Honghui Chen**, Fujian (CN)

(73) Assignee: **FUJIAN SPD E-COMMERCE CO., LTD.**, Fujian (CN)

(\*\*) Term: **15 Years**

(21) Appl. No.: **29/757,530**

(22) Filed: **Nov. 6, 2020**

(51) **LOC (13) Cl.** ..... **07-99**

(52) **U.S. Cl.**  
USPC ..... **D7/392.1; D7/396.2; D9/443; D9/449**

(58) **Field of Classification Search**  
USPC ..... D9/414, 434, 435, 439, 440, 441, D9/443-445, 447-455, 499, 501, D9/503-505, 516, 517, 529, 682, 685, D9/686; D7/387, 391, 392, 392.1, 396.1, D7/396.2, 396.4, 403, 507, 509-511, 538, D7/629, 900; D3/202, 203.2, 294, 318; D28/91, 91.1

CPC .. A61J 1/00; A61J 1/1412; B65D 1/00; B65D 1/02; B65D 1/10; B65D 1/46; B65D 5/46; B65D 41/00; B65D 41/38; B65D 41/56; B65D 41/62; B65D 47/00; B65D 47/06; B65D 47/08; B65D 2251/00; B65D 2543/00046; B65D 2543/00092; B65D 2543/00296

See application file for complete search history.

(56) **References Cited**

**U.S. PATENT DOCUMENTS**

D586,184 S \* 2/2009 Miller ..... D7/511  
D634,972 S \* 3/2011 Staton ..... D9/443

D772,652 S \* 11/2016 Yao ..... D7/511  
D801,111 S \* 10/2017 Eyal ..... D9/449  
D807,110 S \* 1/2018 Lown ..... D7/391  
D811,879 S 3/2018 Way  
D812,419 S \* 3/2018 Yao ..... D7/392.1  
D814,236 S \* 4/2018 Rolfson ..... D7/396.2  
D816,411 S \* 5/2018 Stover ..... D7/510  
D818,317 S \* 5/2018 Fu ..... D7/510  
D818,774 S \* 5/2018 Stover ..... D7/510  
D820,635 S \* 6/2018 Hammer ..... D7/392.1  
D824,721 S \* 8/2018 Hu ..... D9/443  
D843,778 S \* 3/2019 Yao ..... D7/392  
D844,384 S \* 4/2019 Potter ..... D7/510  
D848,786 S \* 5/2019 Bujalska ..... D7/392.1  
D853,181 S \* 7/2019 Stanton ..... D7/392.1  
D853,238 S 7/2019 Yao

(Continued)

**FOREIGN PATENT DOCUMENTS**

EM 008268080-0003 \* 1/2021

*Primary Examiner* — Wendy L Arminio

(74) *Attorney, Agent, or Firm* — ScienBiziP, P.C.

(57) **CLAIM**

The ornamental design for a bottle lid, as shown and described.

**DESCRIPTION**

FIG. 1 is a front and top perspective view of a bottle lid, showing our design.

FIG. 2 is a rear and top perspective view thereof.

FIG. 3 is a front elevation view thereof.

FIG. 4 is a rear elevation view thereof.

FIG. 5 is a left side elevation thereof.

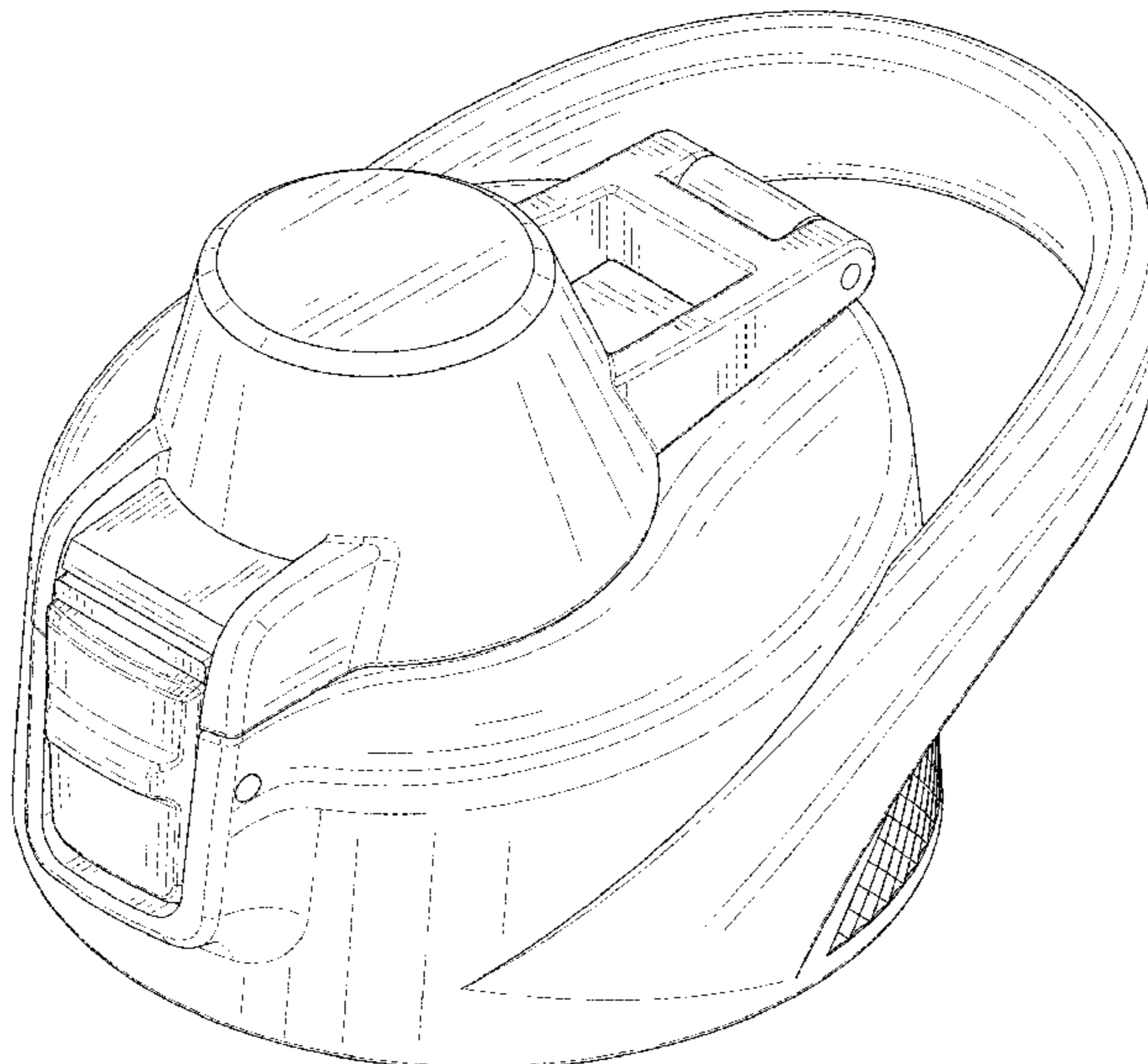
FIG. 6 is a right side elevation thereof.

FIG. 7 is a top plan view thereof; and,

FIG. 8 is a bottom plan view thereof.

The broken lines in FIG. 8 depict portions of the bottle lid that form no part of the claimed design with the outermost circular broken line also forming the boundary to the claim.

**1 Claim, 8 Drawing Sheets**



(56)

**References Cited**

## U.S. PATENT DOCUMENTS

D865,441 S \* 11/2019 Lowette ..... D7/392  
D867,811 S \* 11/2019 Lane ..... D7/392.1  
D869,230 S \* 12/2019 Hao ..... D9/452  
D870,509 S \* 12/2019 Bo ..... D9/443  
10,512,347 B1 \* 12/2019 Shepard ..... B65D 47/148  
D881,642 S \* 4/2020 Zhang ..... D7/396.2  
D886,518 S \* 6/2020 Li ..... D7/392.1  
D889,198 S \* 7/2020 Shepard ..... D9/449  
D889,199 S \* 7/2020 Shepard ..... D9/447  
D894,669 S \* 9/2020 Lane ..... D7/392.1  
D895,352 S \* 9/2020 Yao ..... D9/443  
D896,024 S \* 9/2020 Wang ..... D7/392.1  
D899,189 S \* 10/2020 Pan ..... D7/510  
D903,404 S \* 12/2020 Bram ..... D7/392.1  
D905,498 S \* 12/2020 Zhang ..... D7/392.1  
D913,034 S \* 3/2021 Cornelius ..... D7/392.1  
D913,036 S \* 3/2021 Steenari ..... D7/396.2  
2014/0048511 A1 \* 2/2014 El-Saden ..... A47G 19/2266  
215/389  
2019/0135506 A1 \* 5/2019 Merrigan ..... B65D 41/04

\* cited by examiner

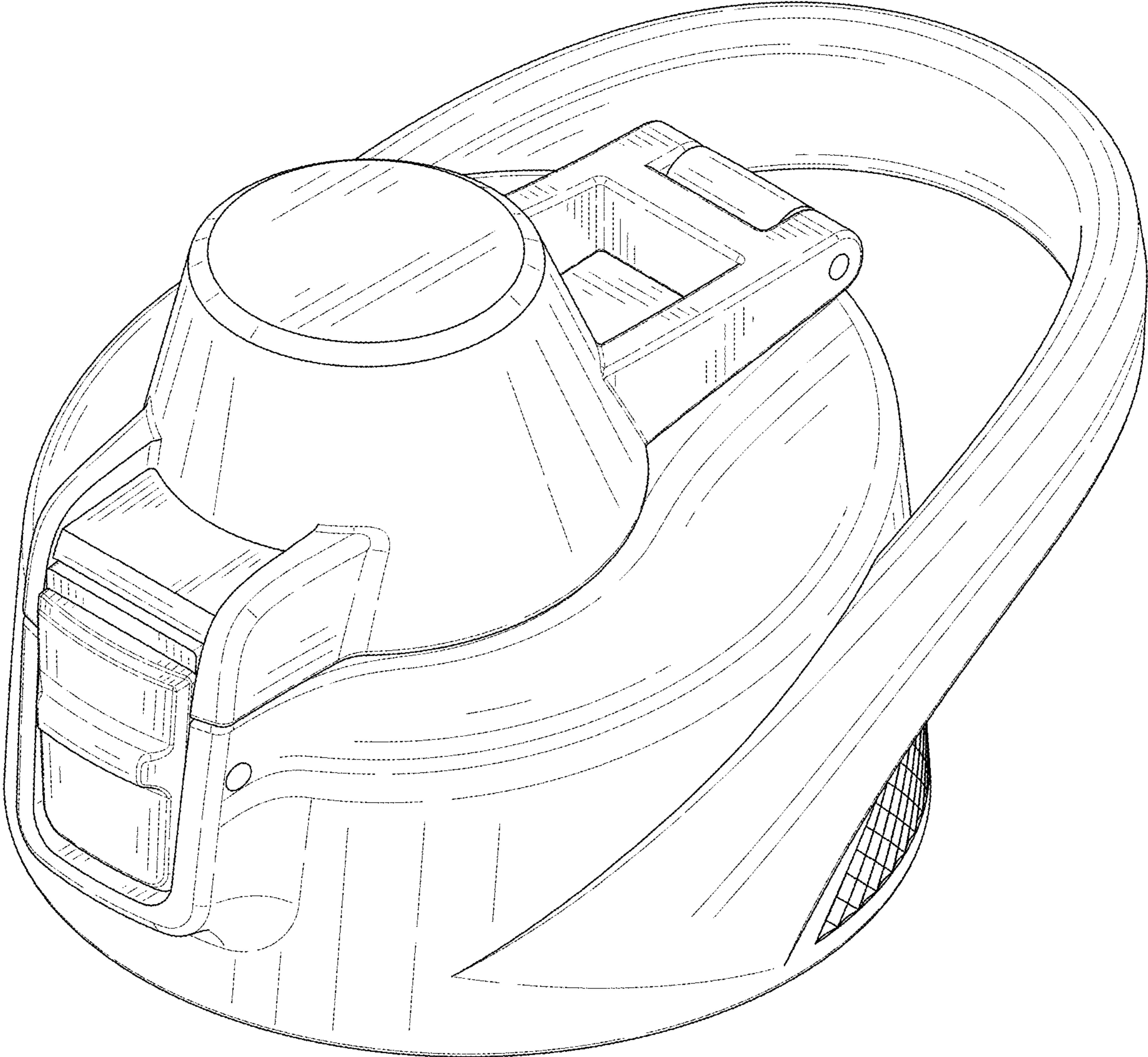


FIG. 1

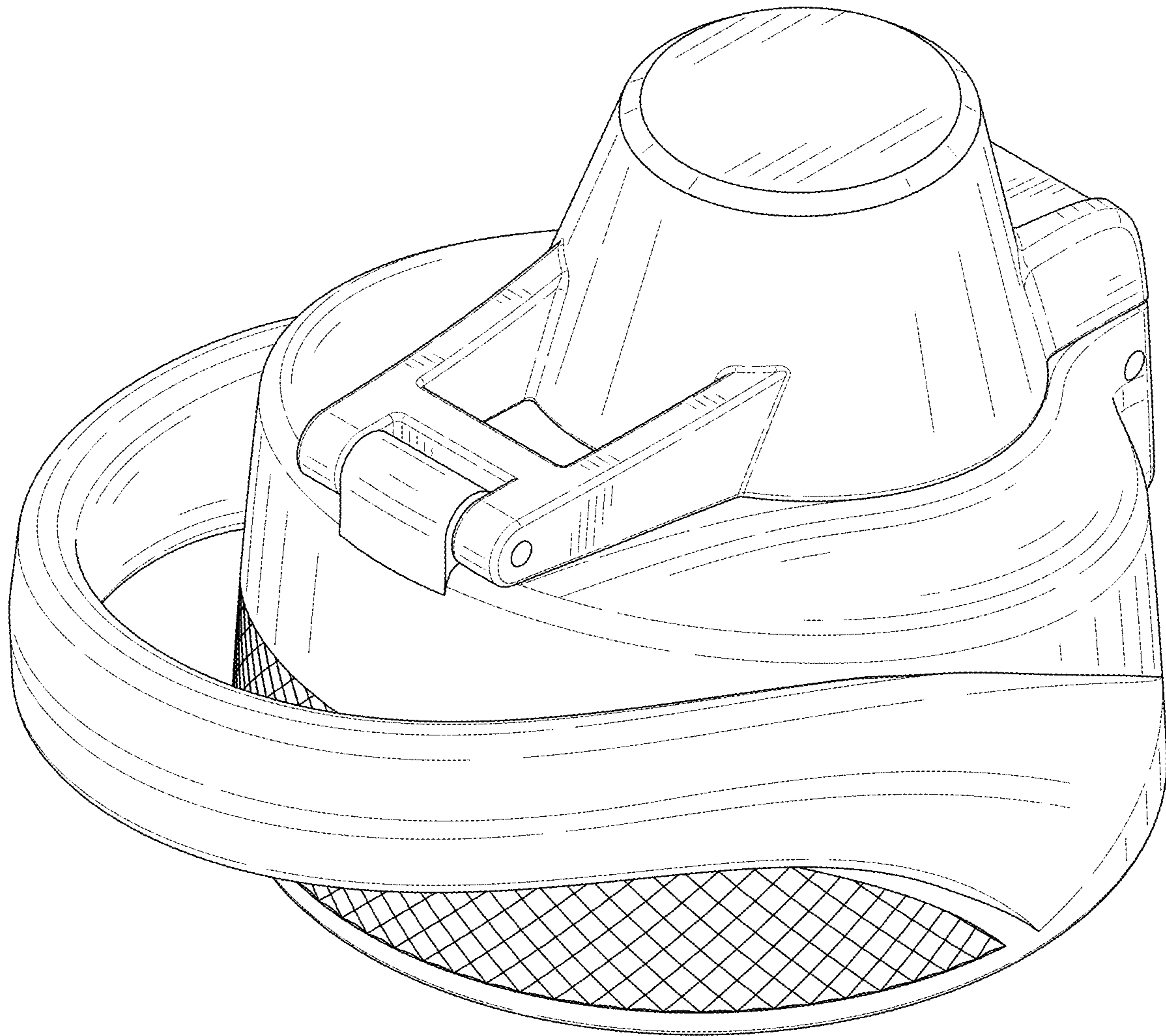


FIG. 2

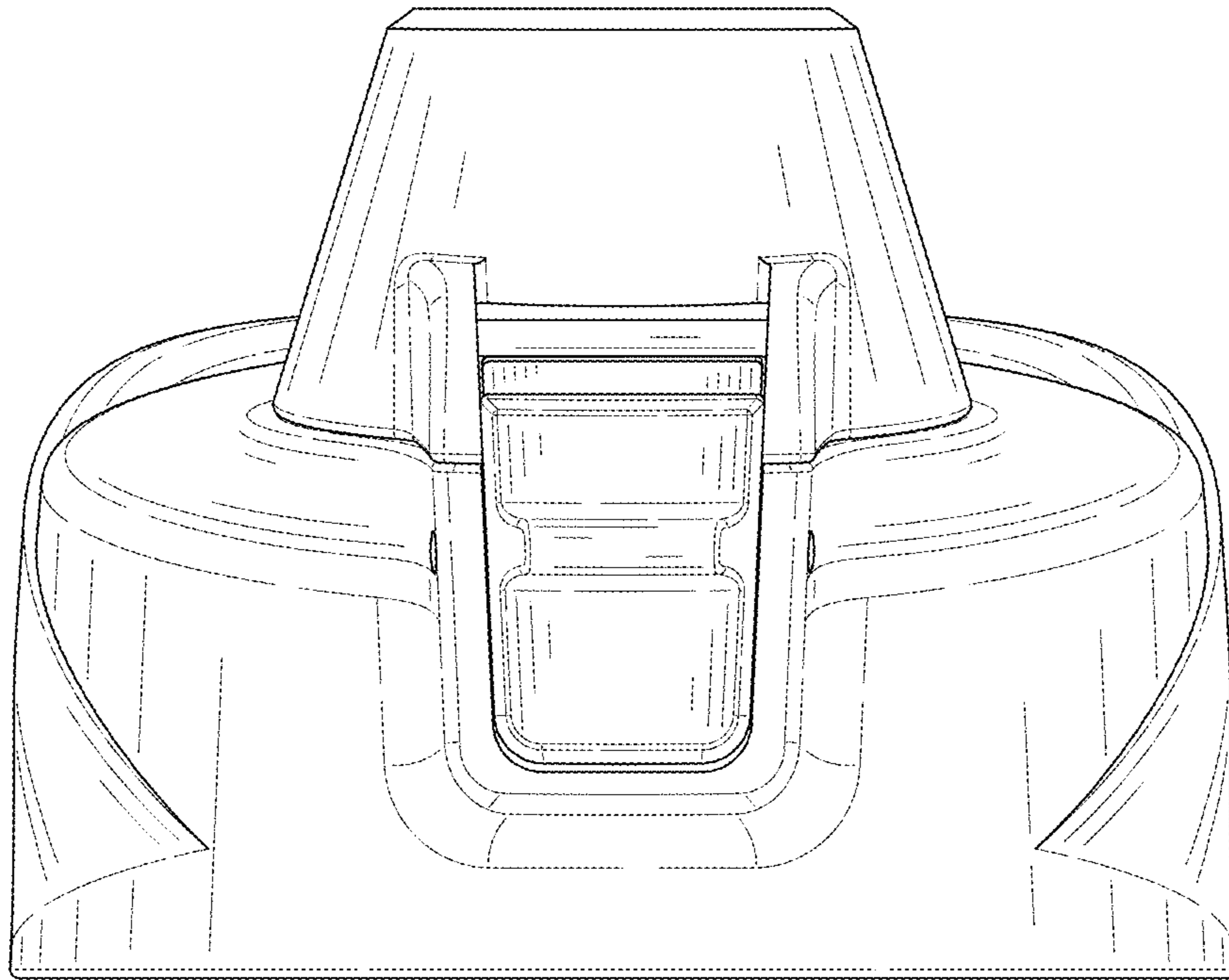


FIG. 3

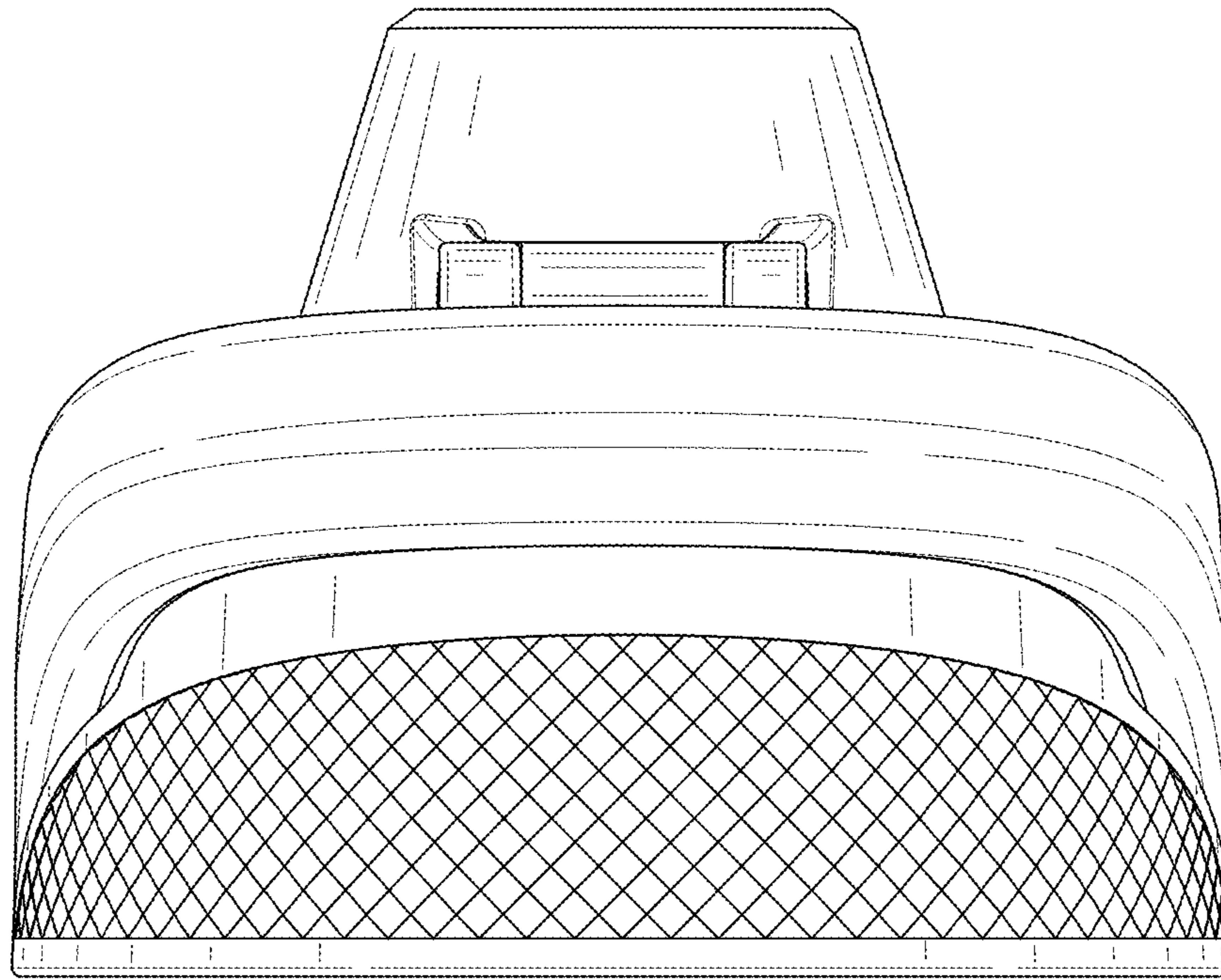


FIG. 4

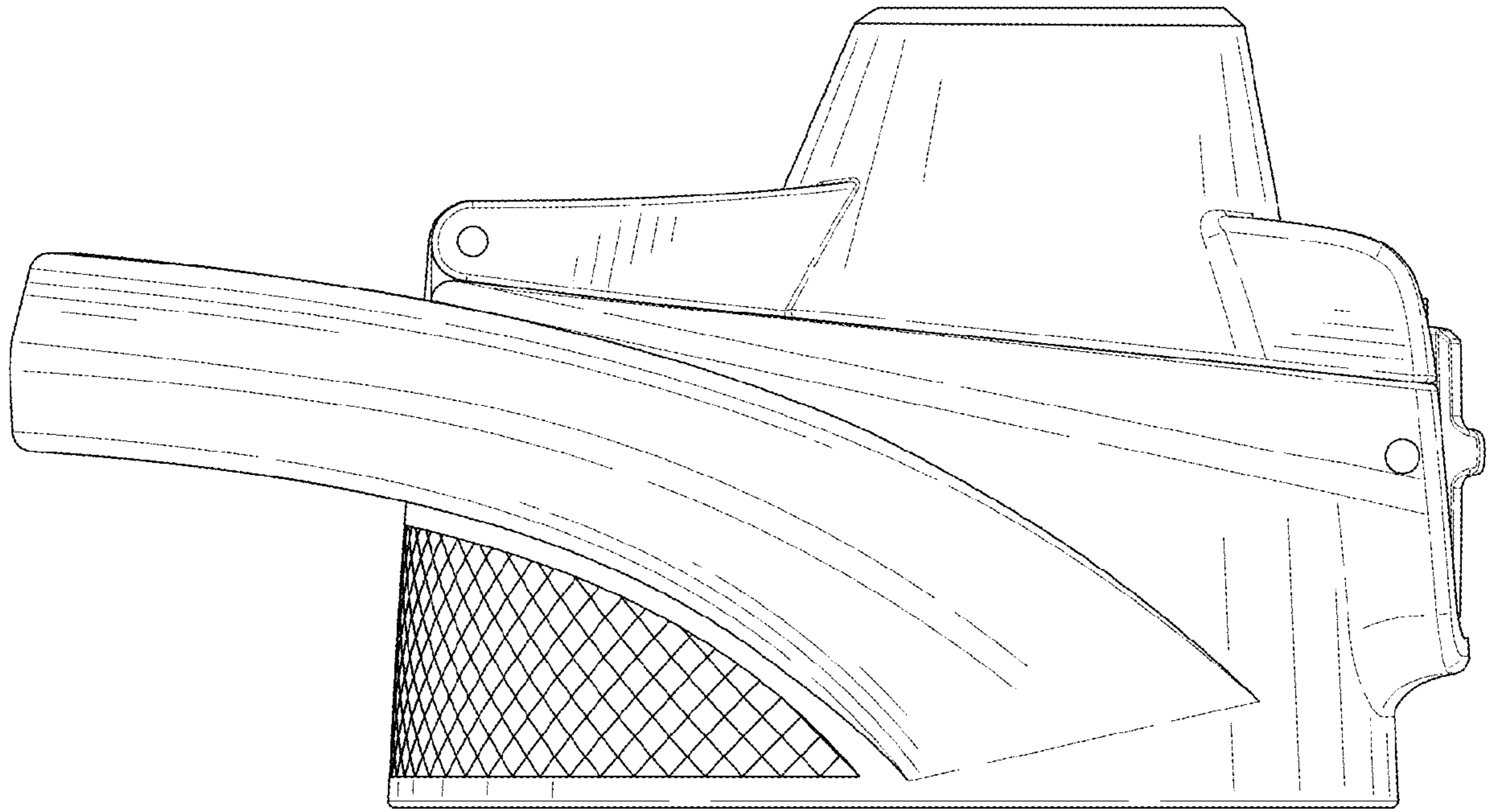


FIG. 5

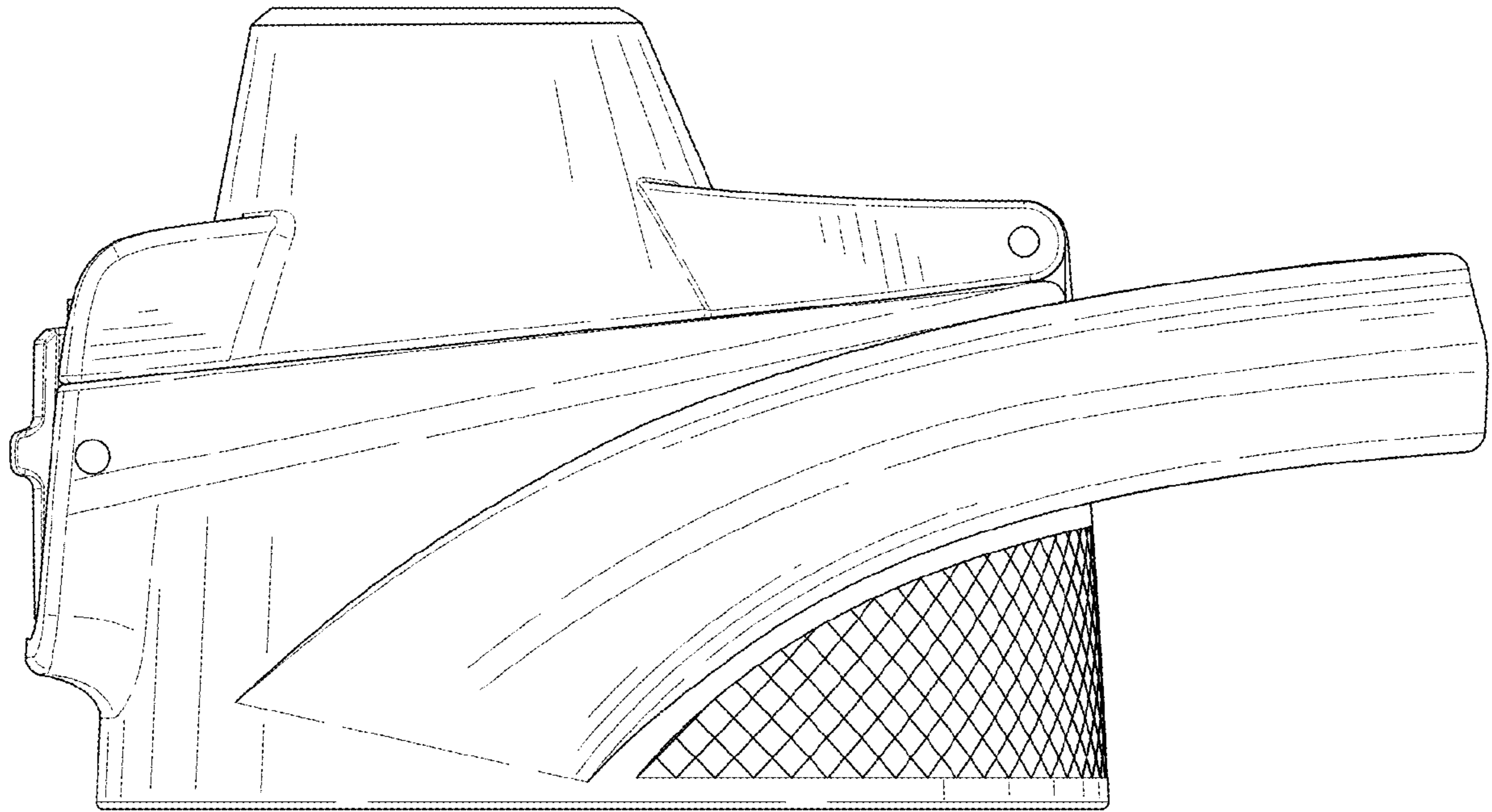


FIG. 6



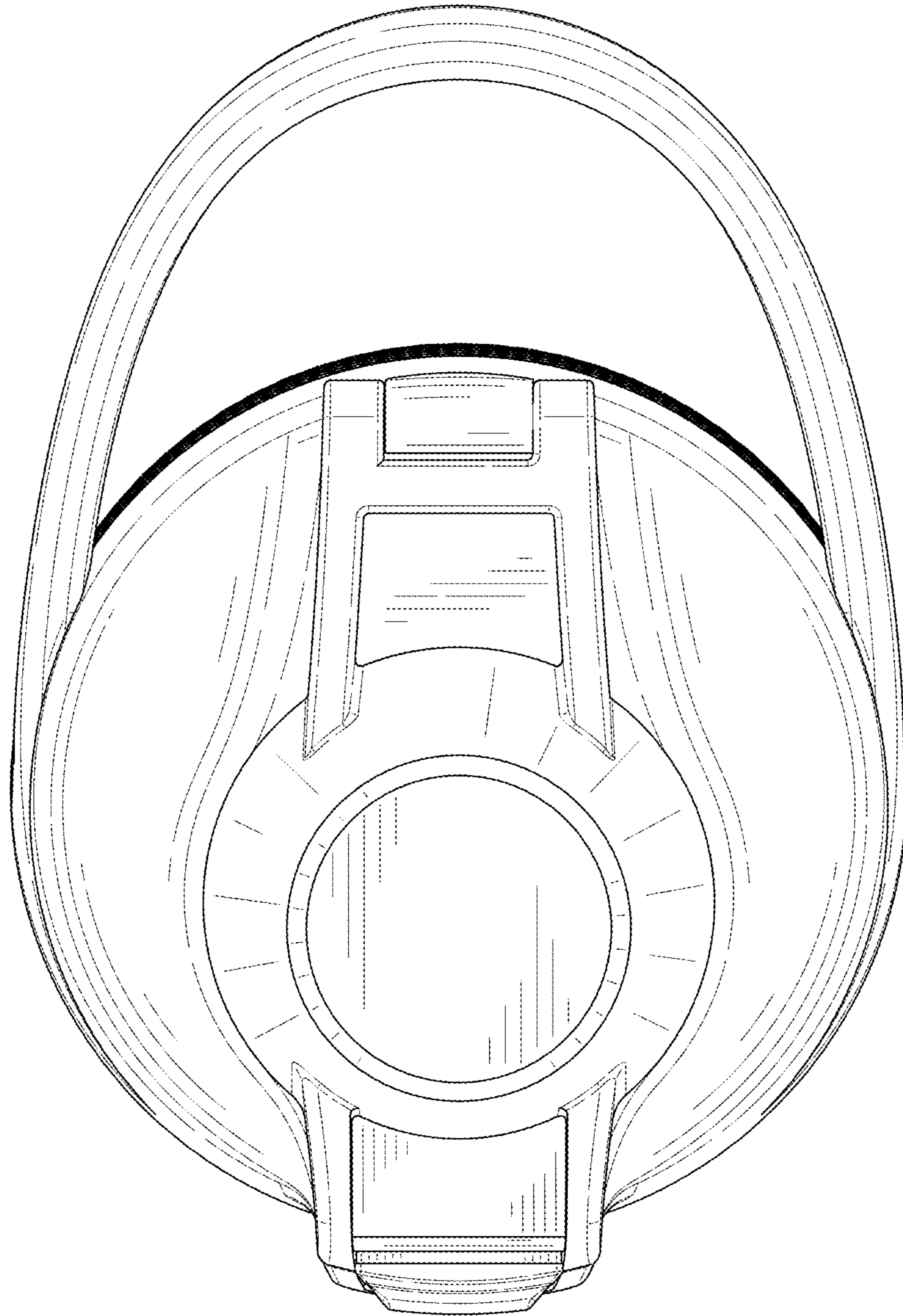


FIG. 7

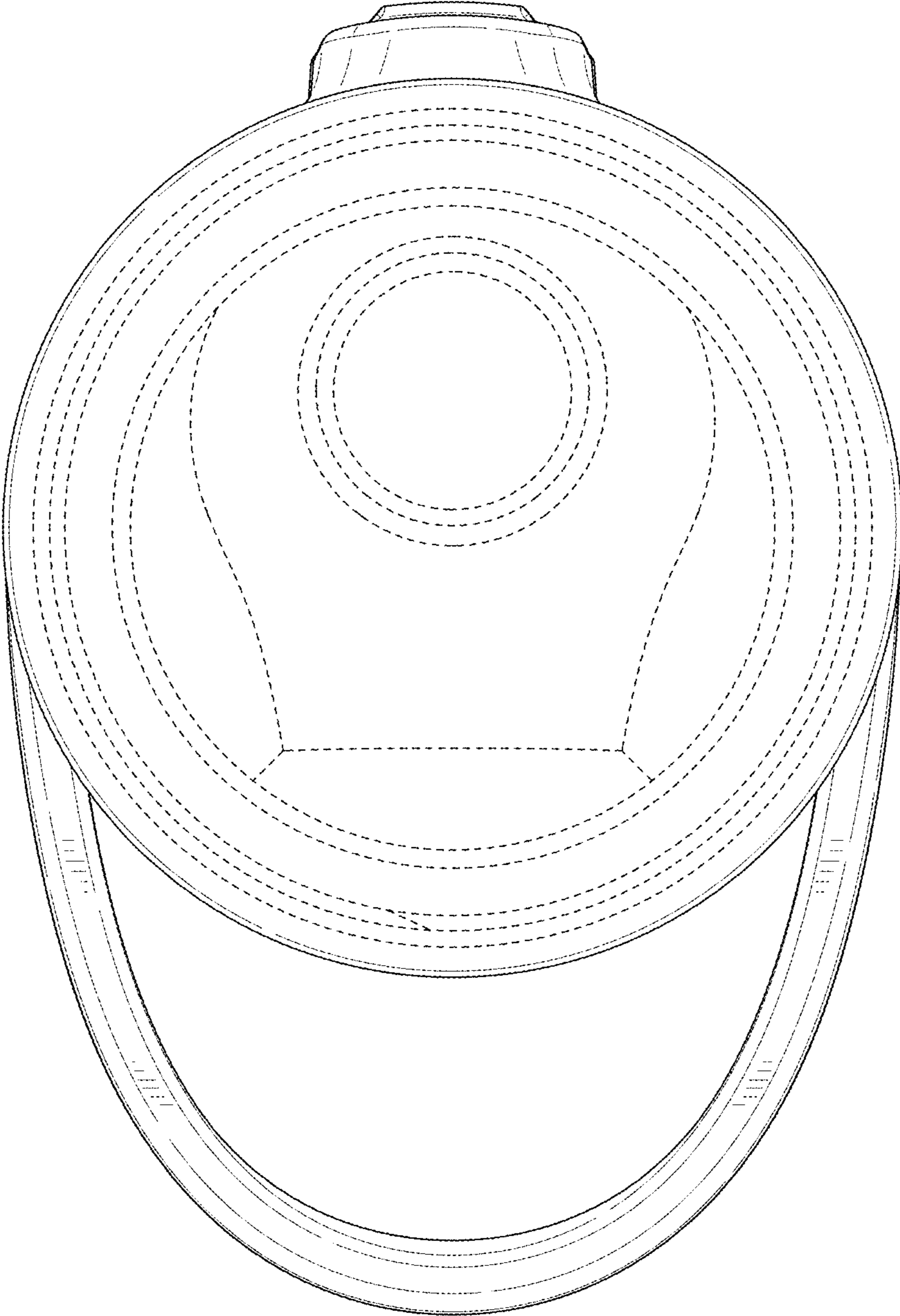


FIG. 8