



US00D922135S

(12) **United States Design Patent**
Chen et al.

(10) **Patent No.: US D922,135 S**
(45) **Date of Patent: ** Jun. 15, 2021**

(54) **BOTTLE CAP**

(71) Applicants: **Xinxing Chen**, Chuzhou (CN); **Guofu Yang**, Nanyang (CN)

(72) Inventors: **Xinxing Chen**, Chuzhou (CN); **Guofu Yang**, Nanyang (CN)

(**) Term: **15 Years**

(21) Appl. No.: **29/735,137**

(22) Filed: **May 19, 2020**

(51) **LOC (13) Cl.** **07-01**

(52) **U.S. Cl.**
USPC **D7/392.1**

(58) **Field of Classification Search**
USPC D7/392, 392.1, 396.1, 396.2, 397, 509,
D7/510, 533, 619.1, 622; D9/435, 443,
D9/516
CPC B65D 47/066; B65D 47/2037; A47G
19/2272

See application file for complete search history.

(56) **References Cited**

U.S. PATENT DOCUMENTS

D700,012 S *	2/2014	Hurley	D7/392.1
D742,230 S *	11/2015	Charles	D9/449
D747,136 S *	1/2016	Lane	D7/396.2
D793,154 S *	8/2017	Sorensen	D7/392.1
D811,162 S *	2/2018	Rane	D7/396.2
D820,637 S *	6/2018	Davis	D7/392.1
D856,067 S *	8/2019	Barber	D7/392.1
D881,642 S *	4/2020	Zhang	D7/392.1
D896,573 S *	9/2020	Wu	D7/392.1
D896,574 S *	9/2020	Wang	D7/392.1
D899,181 S *	10/2020	Xie	D7/392.1
2010/0224631 A1 *	9/2010	Roth	B65D 51/242 220/288
2014/0138395 A1 *	5/2014	Joy	A47G 19/2272 220/715

OTHER PUBLICATIONS

“Takeya: Actives Straw Lid”. Found online Jan. 3, 2020 at amazon.com. Reference dated Apr. 5, 2018. Retrieved from https://www.amazon.com/...1lxVzVLVEIyTTVMNSZ3aWRnZXROYW1IPXNwX2RldGFpbF90aGVtYXRpYyZhY3Rpb249Y2xpY2tSZWRpcmVjdCZkb05vdExvZ0NsaWNrPXRydWU=.*

“Simple Modern: Summit Water Bottle Lid 3-Pack: Flip Lid with Handle, Insulated Straw Lid, and Insulated Chug Lid”. Found online Apr. 16, 2021 at amazon.com. Reference dated Aug. 7, 2019. Retrieved from https://www.amazon.com/Simple-Modern-Summit-Water-Bottle/dp/B07W7W7R5J/ref=sr_1_1_sspa?.*

“Avex: Freestyle Kids Autospout Water Bottle”. Found online Oct. 24, 2017 at amazon.com. Reference dated Jul. 15, 2014. Retrieved from https://www.amazon.com/Freestyle-Autospout-Bottle-Orange-Superhero/dp/B00X0YTDCO/ref=sr_1_4?ie=UTF8&qid=1508879300&sr=8-4&keywords=avex.*

“Contigo Addison Waterbottle”. Found online May 15, 2020 at amazon.co.uk. Reference dated Jun. 24, 2011. Retrieved from https://www.amazon.co.uk/...53FFGHY/ref=sr_1_21?crd=3RSVDAKWD8BN7&dchild=1&keywords=contigo+addison&qid=1589570808&sprefix=contigo+add%2Caps%2C226&sr=8-21.*

* cited by examiner

Primary Examiner — Kendra Leslie Hamilton

(57) **CLAIM**

The ornamental design for a bottle cap, as shown and described.

DESCRIPTION

FIG. 1 is a top, front, right perspective view of a bottle cap, showing our new design;

FIG. 2 is a front elevational view thereof;

FIG. 3 is a rear elevational view thereof;

FIG. 4 is a left side elevational view thereof;

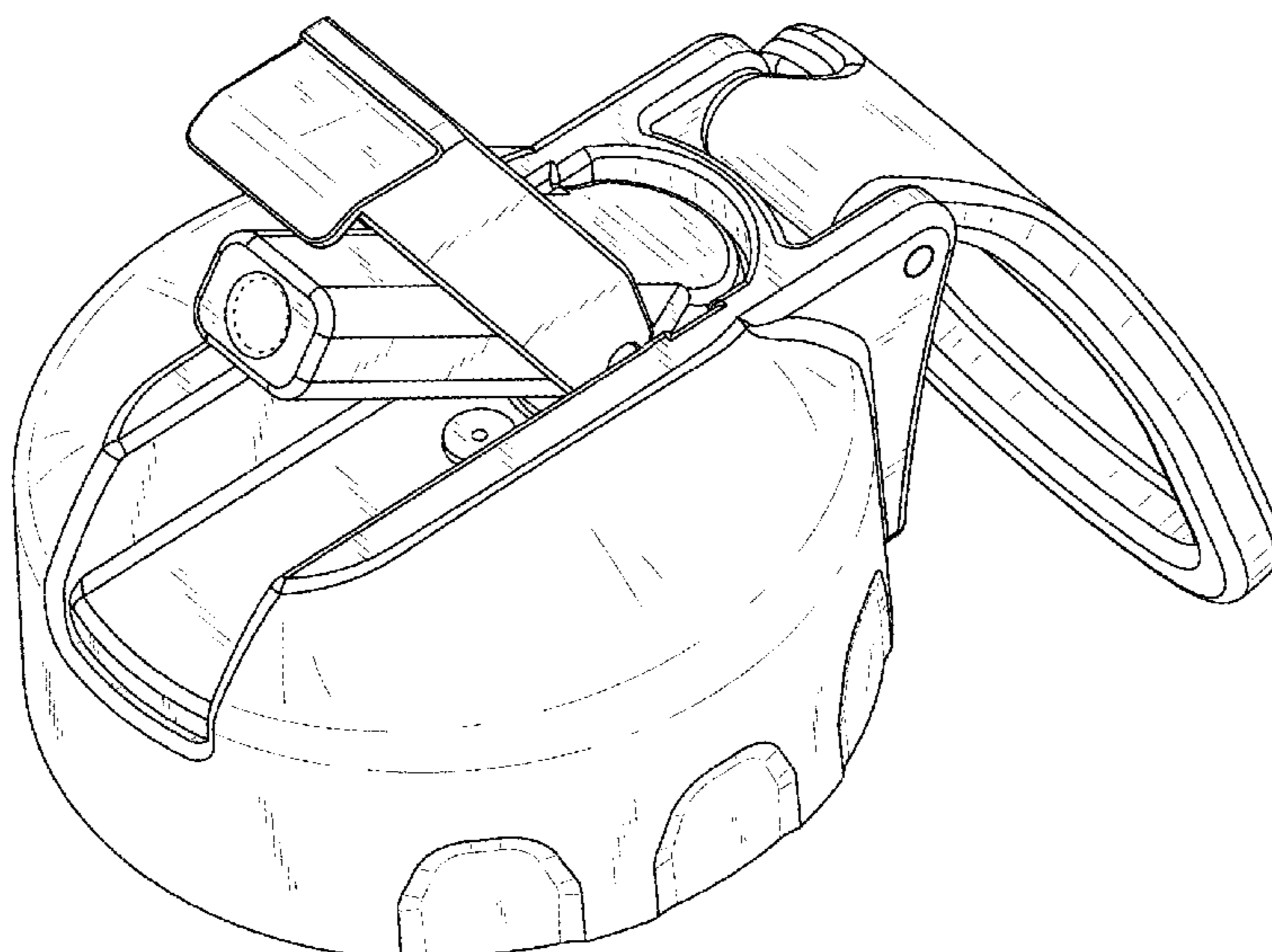
FIG. 5 is a right side elevational view thereof;

FIG. 6 is a top plan view thereof; and,

FIG. 7 is a bottom plan view thereof.

The broken lines in the figures depict the portions of the bottle cap that form no part of the claimed design.

1 Claim, 7 Drawing Sheets



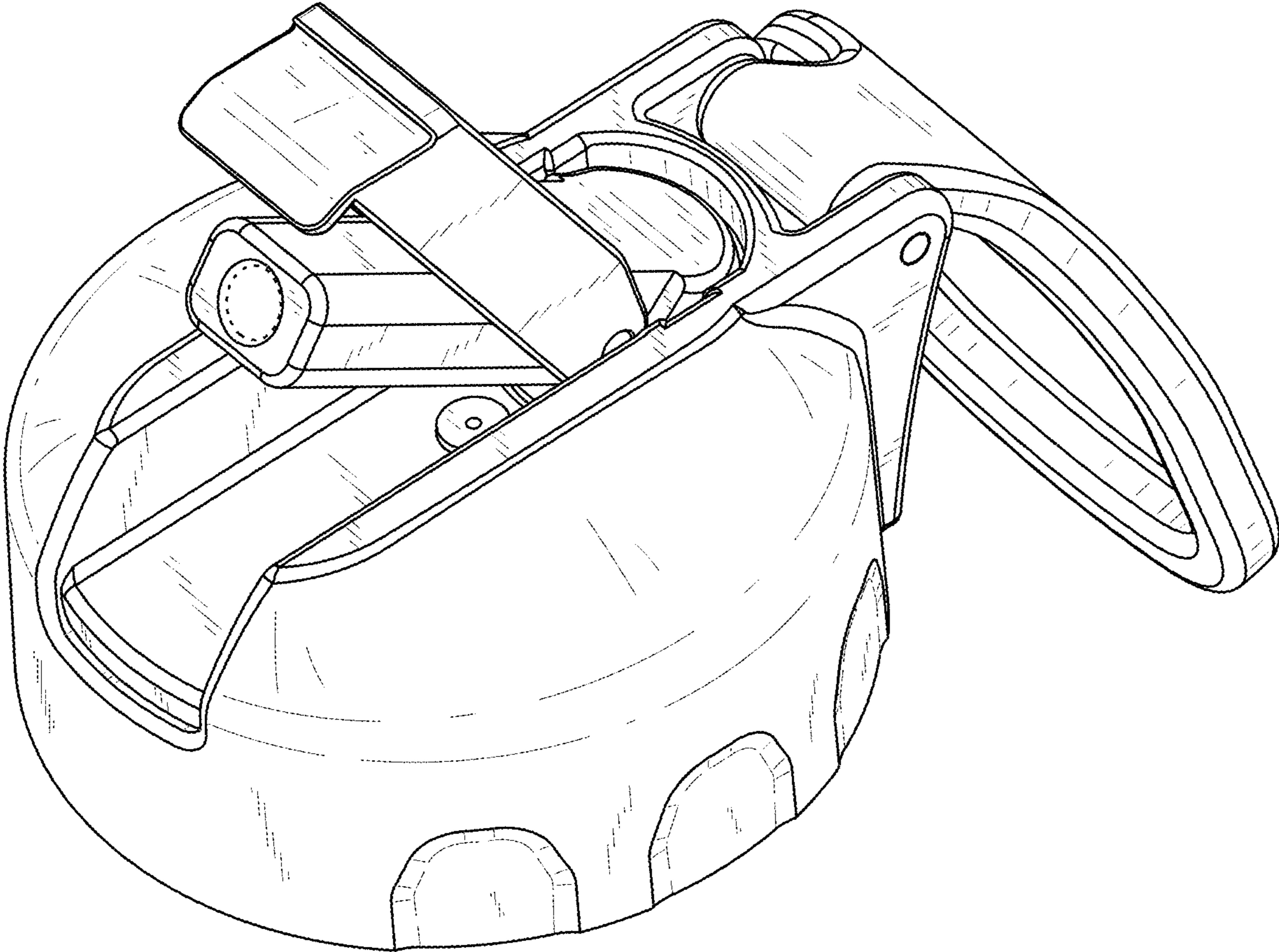


FIG. 1

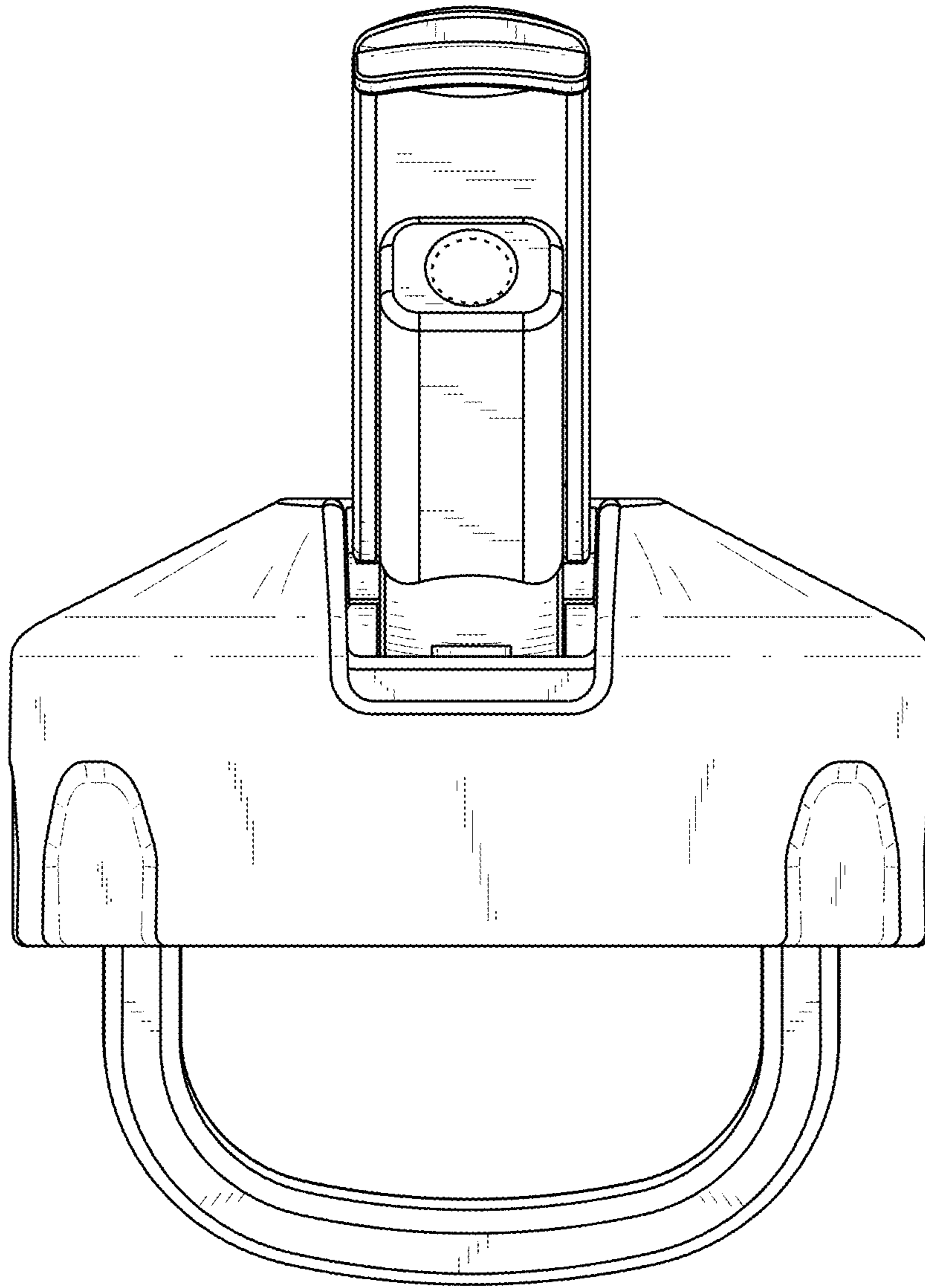


FIG. 2

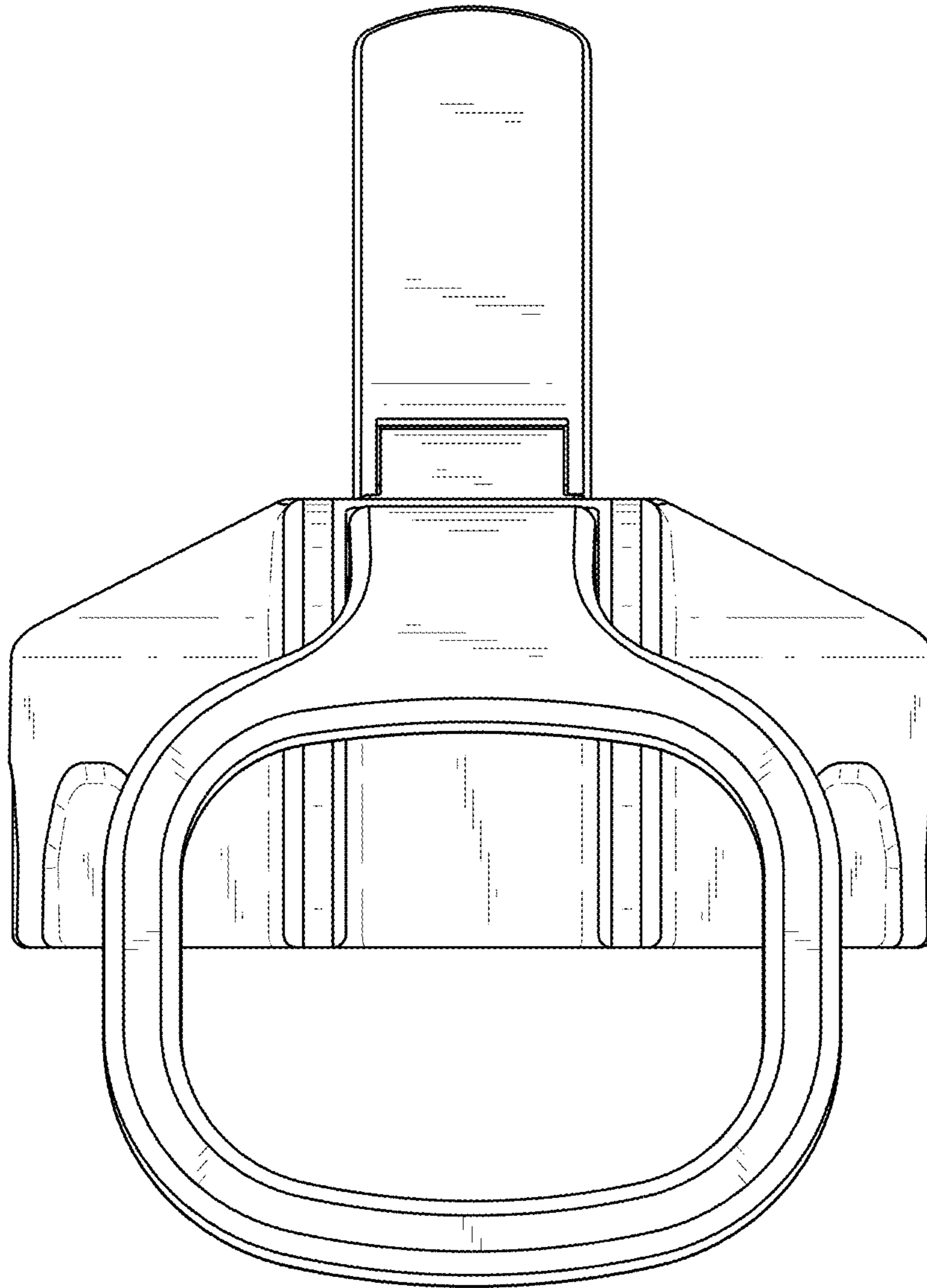


FIG. 3

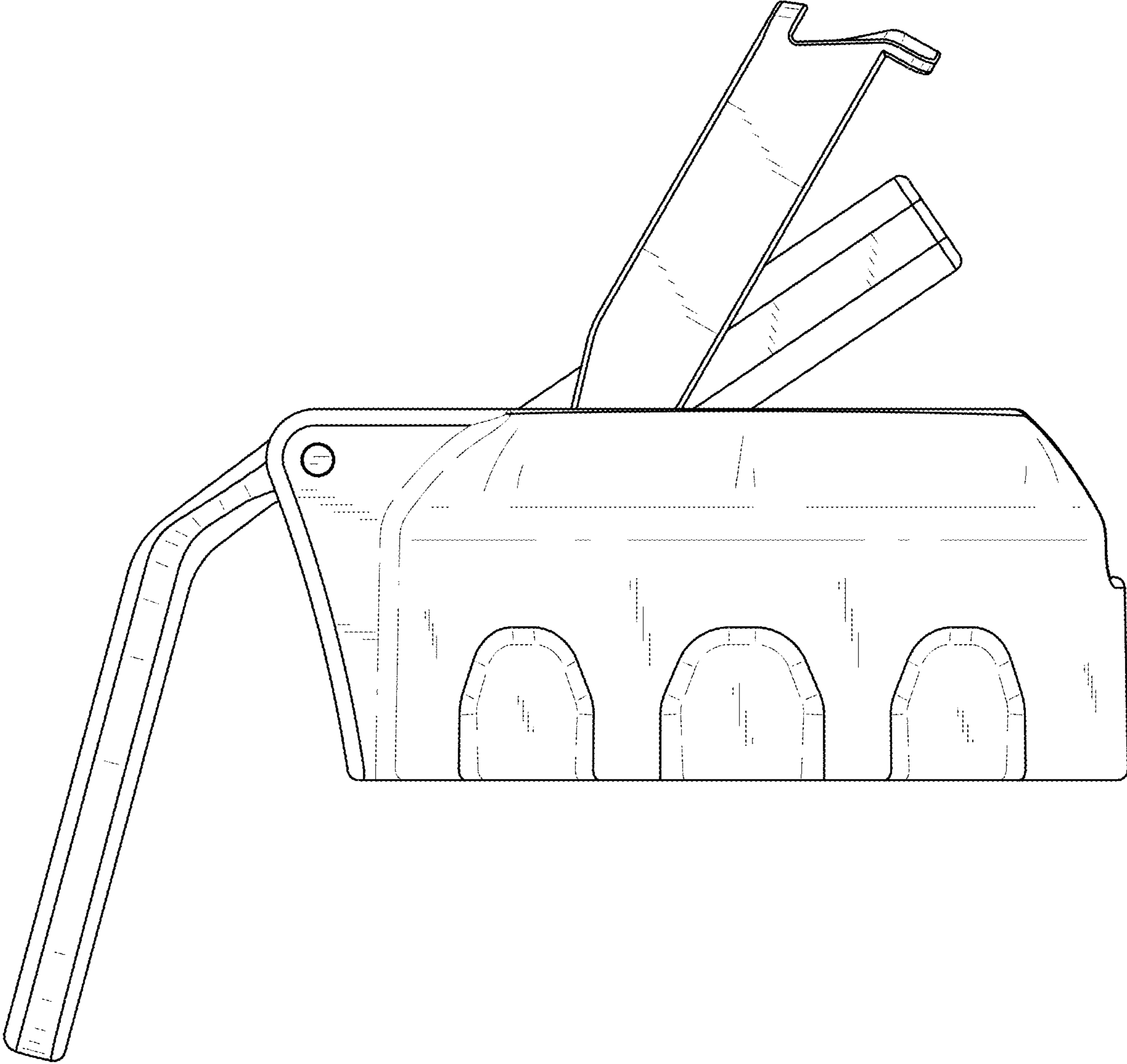


FIG. 4

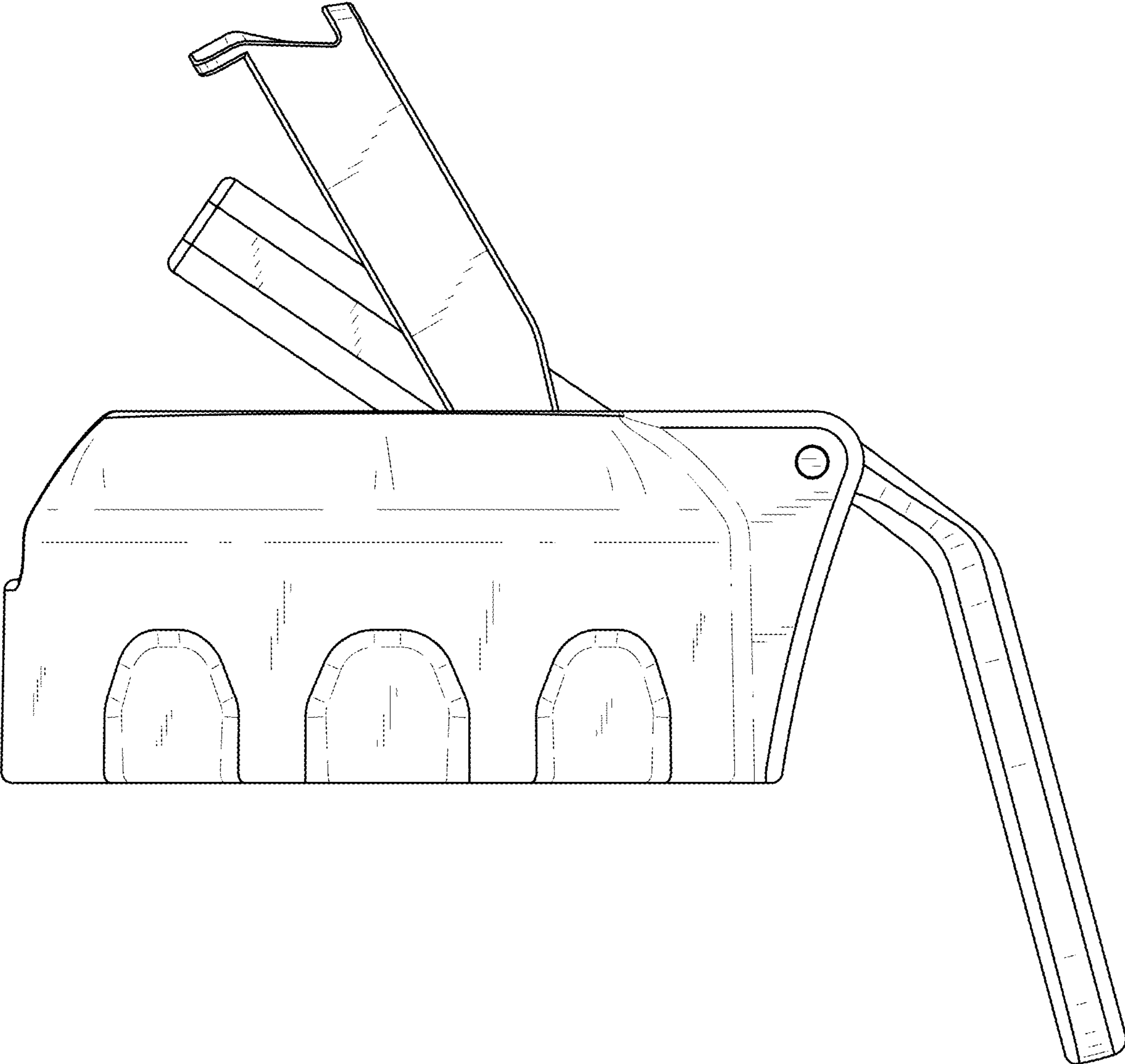


FIG. 5

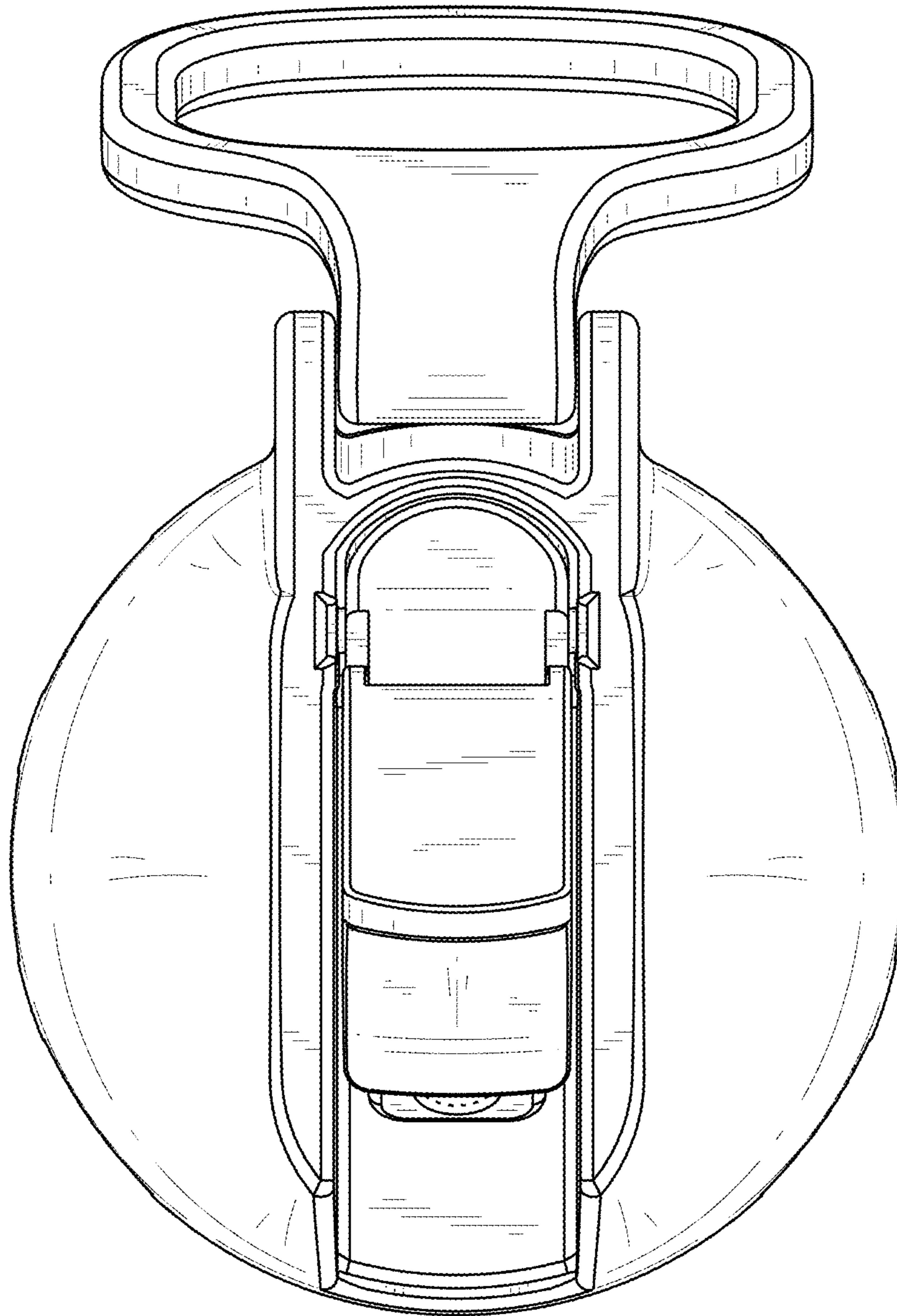


FIG. 6

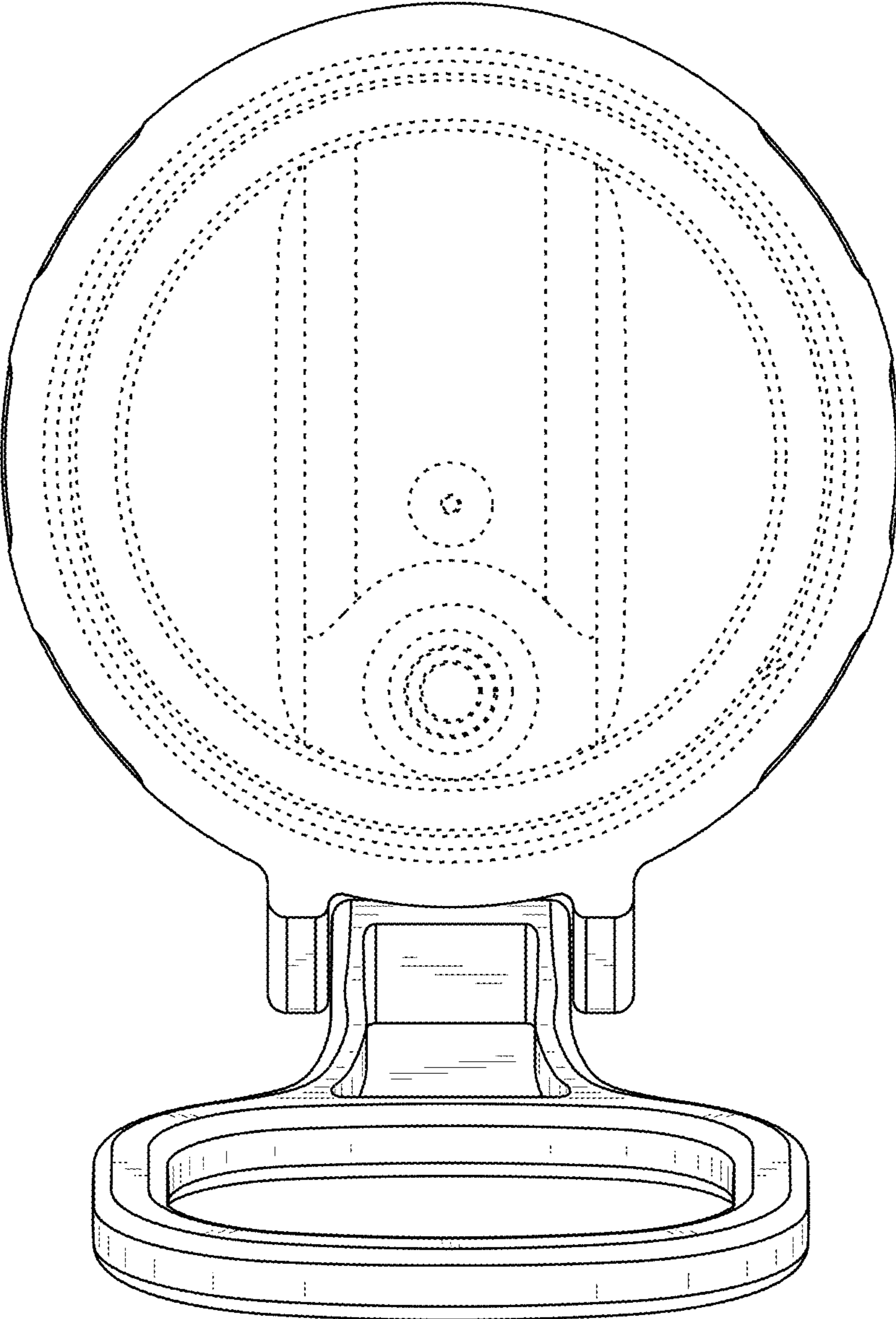


FIG. 7