



US00D922134S

(12) **United States Design Patent**
Joseph

(10) **Patent No.:** **US D922,134 S**
(45) **Date of Patent:** **** Jun. 15, 2021**

(54) **BOTTLE TOP**

- (71) Applicant: **JOSEPH JOSEPH LTD.**, London (GB)
- (72) Inventor: **Antony Joseph**, London (GB)
- (73) Assignee: **JOSEPH JOSEPH LTD.**, London (GB)
- (**) Term: **15 Years**
- (21) Appl. No.: **29/659,178**

(22) Filed: **Aug. 7, 2018**

(30) **Foreign Application Priority Data**

Feb. 7, 2018 (EM) 004699627-0002

(51) **LOC (13) Cl.** **07-99**

(52) **U.S. Cl.**
USPC **D7/392.1; D7/392**

(58) **Field of Classification Search**
USPC D9/424, 430, 435, 440, 445, 447, 449,
D9/450, 451, 452, 503, 525; D7/392,
D7/392.1, 396.2, 509, 510, 511, 607, 669,
D7/665, 693, 700

CPC A47G 19/22; A47G 19/2205; A47G
19/2227; A47G 19/2266; A47F 3/16
See application file for complete search history.

(56) **References Cited**

U.S. PATENT DOCUMENTS

- D658,446 S * 5/2012 George D7/511
- D762,476 S * 8/2016 Velmer D9/445
- D799,320 S * 10/2017 Goodwin D7/392.1
- D799,900 S * 10/2017 Santos D7/510
- D806,467 S * 1/2018 Yao D7/392.1
- D811,879 S * 3/2018 Way D9/449
- D835,938 S * 12/2018 Zou D7/392.1
- D866,250 S * 11/2019 Barber D7/392.1

(Continued)

OTHER PUBLICATIONS

Joseph Joseph website, Dot Active Water Bottle, Earliest comment date Jun. 22, 2019, [site visited May 26, 2020], Available on the Internet URL <https://www.josephjoseph.com/en-us/dot-active-water-bottle> (Year: 2019).*

(Continued)

Primary Examiner — Karen S Acker

Assistant Examiner — Steven B Reinholdt, Jr.

(74) *Attorney, Agent, or Firm* — Millen, White, Zelano & Branigan, PC; Ryan Pool

(57) **CLAIM**

The ornamental design for a bottle top, as shown and described.

DESCRIPTION

FIG. 1 is a side view of the bottle top showing my new design.

FIG. 2 is a front view thereof.

FIG. 3 is another side view thereof.

FIG. 4 is a back view thereof.

FIG. 5 is a top view thereof.

FIG. 6 is bottom view thereof.

FIG. 7 is a bottom perspective view thereof.

FIG. 8 is a top perspective view thereof.

FIG. 9 is a top perspective view thereof showing the spout in an open configuration; and,

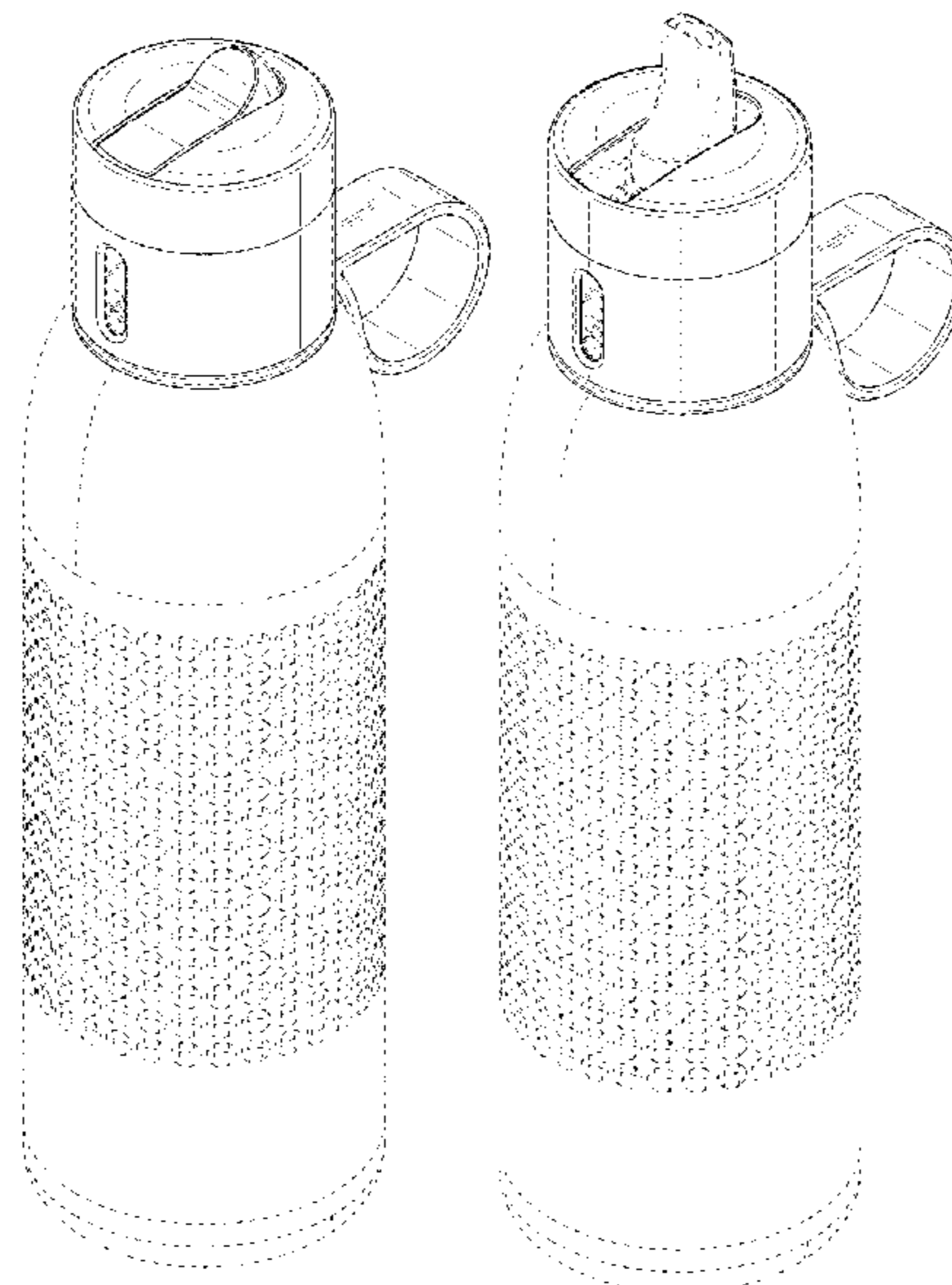
FIG. 10 is a bottom perspective view thereof showing the spout in an open configuration.

The broken lines depicting a bottle as environment form no part of the claimed design.

The oblique shade lines in the drawings illustrate a surface that is transparent.

The dot-dash-dot broken lines denote the boundaries of the claim and form no part thereof.

1 Claim, 10 Drawing Sheets



(56)

References Cited

U.S. PATENT DOCUMENTS

D871,144 S * 12/2019 Zhang D7/510
D872,535 S * 1/2020 Eyal D7/510

OTHER PUBLICATIONS

Joseph Joseph website, Dot Water Bottle, Earliest comment date Sep. 23, 2016, [site visited May 26, 2020], Available on the Internet URL <https://www.josephjoseph.com/en-us/dot-water-bottle> (Year: 2016).*

Amazon.com, Joseph Joseph 81096 Dot Active Hydration-Tracking Bottle, Earliest comment date Jan. 8, 2020, [site visited May 26, 2020], Available on the Internet URL www.amazon.com/Joseph-81096-Active-Hydration-Tracking-Bottle/dp/B07KKYJGYS/ (Year: 2020).*

* cited by examiner

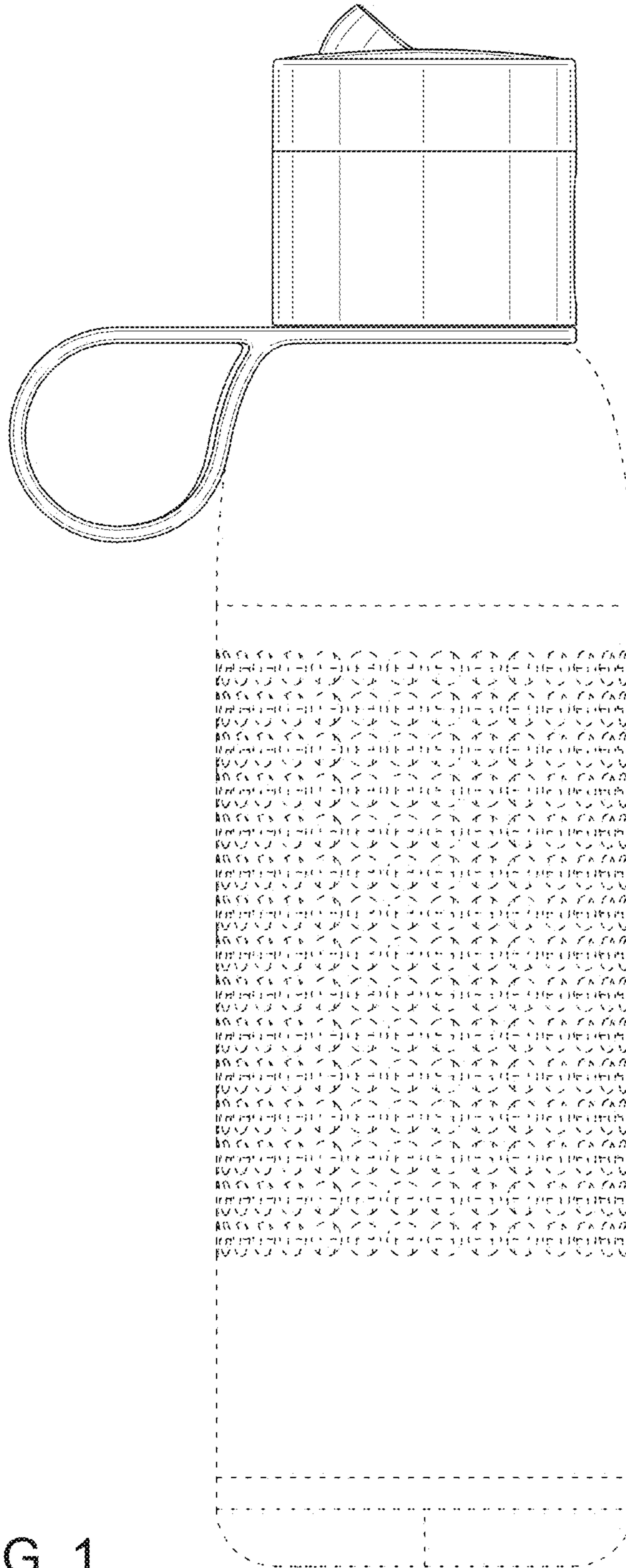


FIG. 1

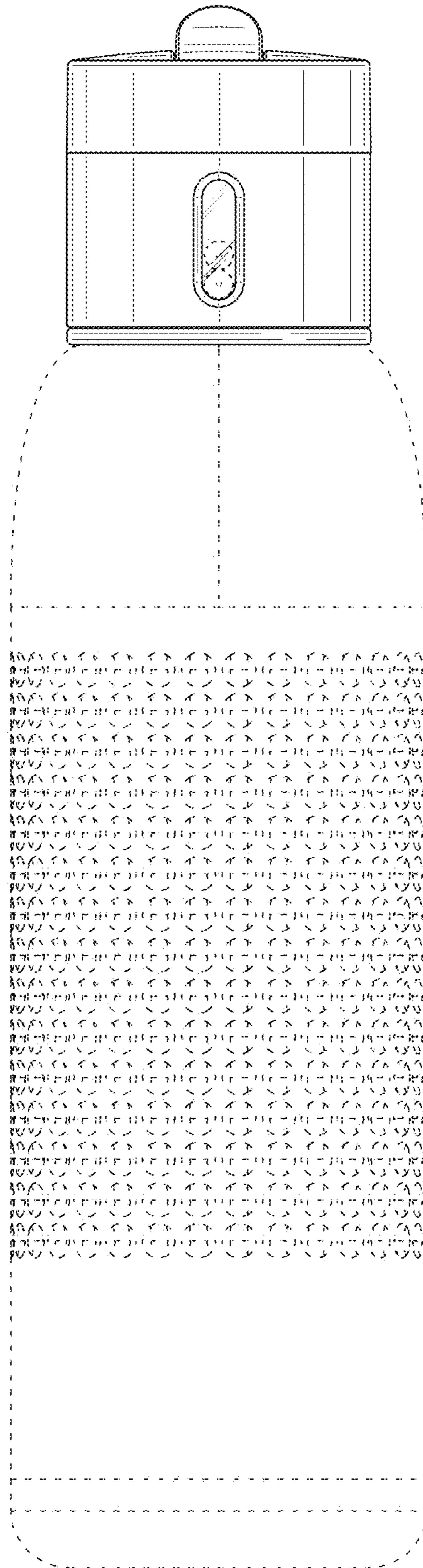


FIG. 2

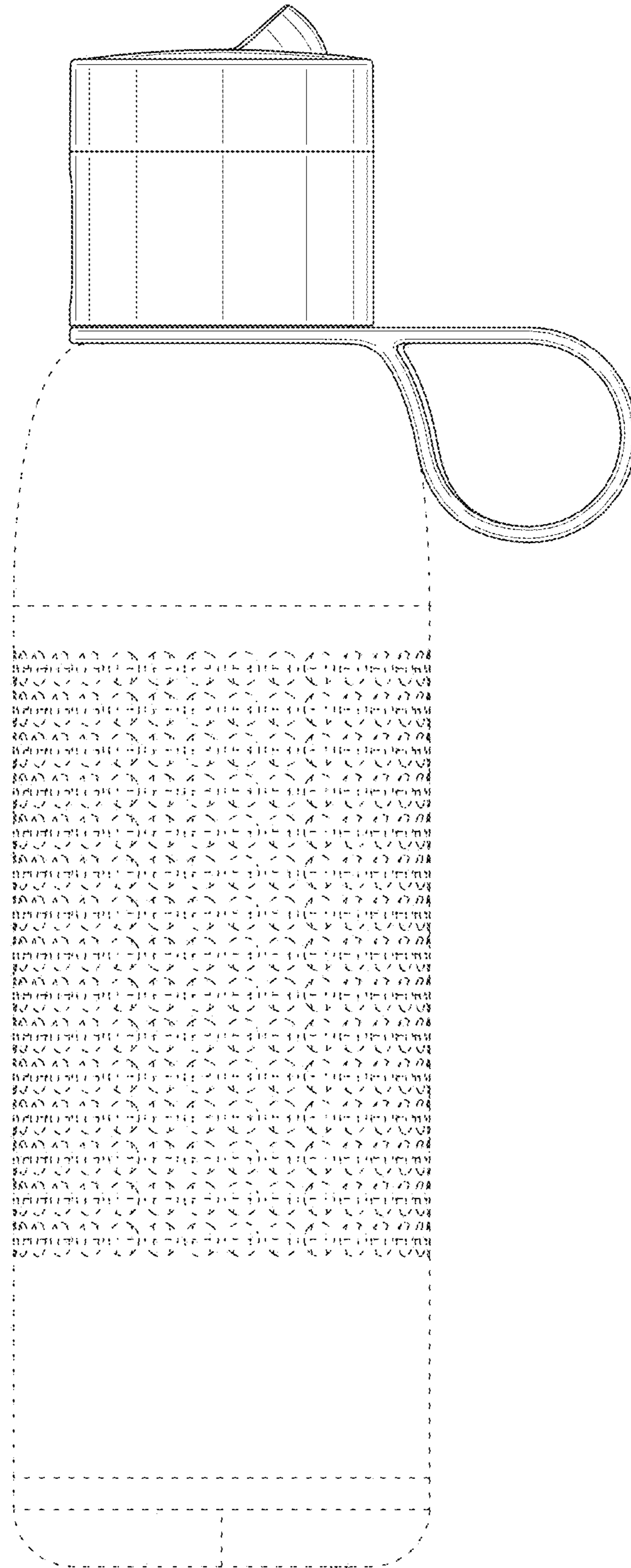


FIG. 3

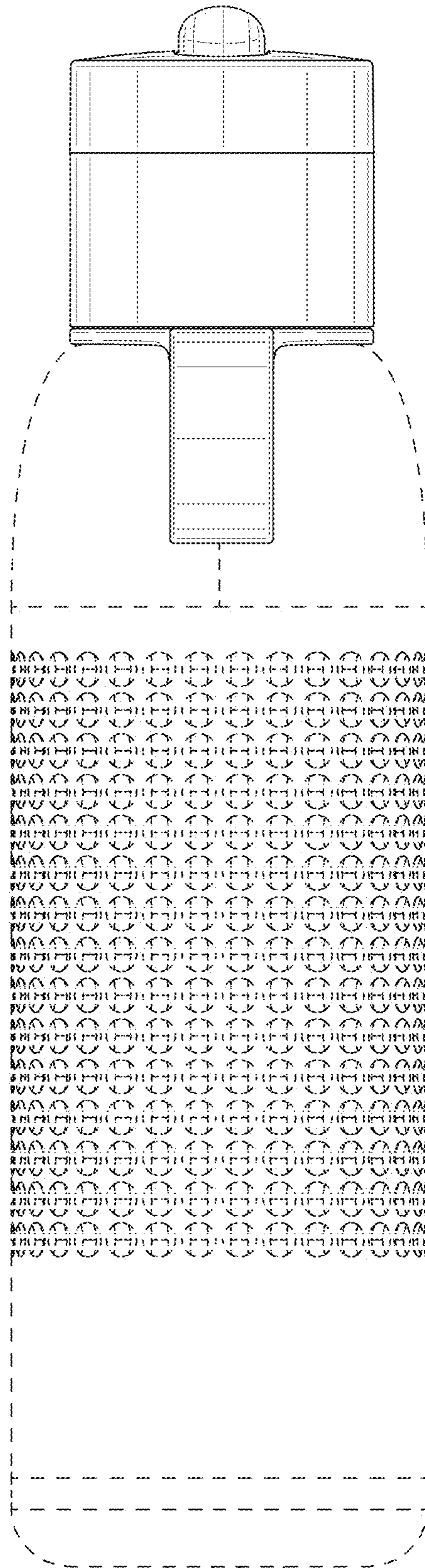


FIG. 4

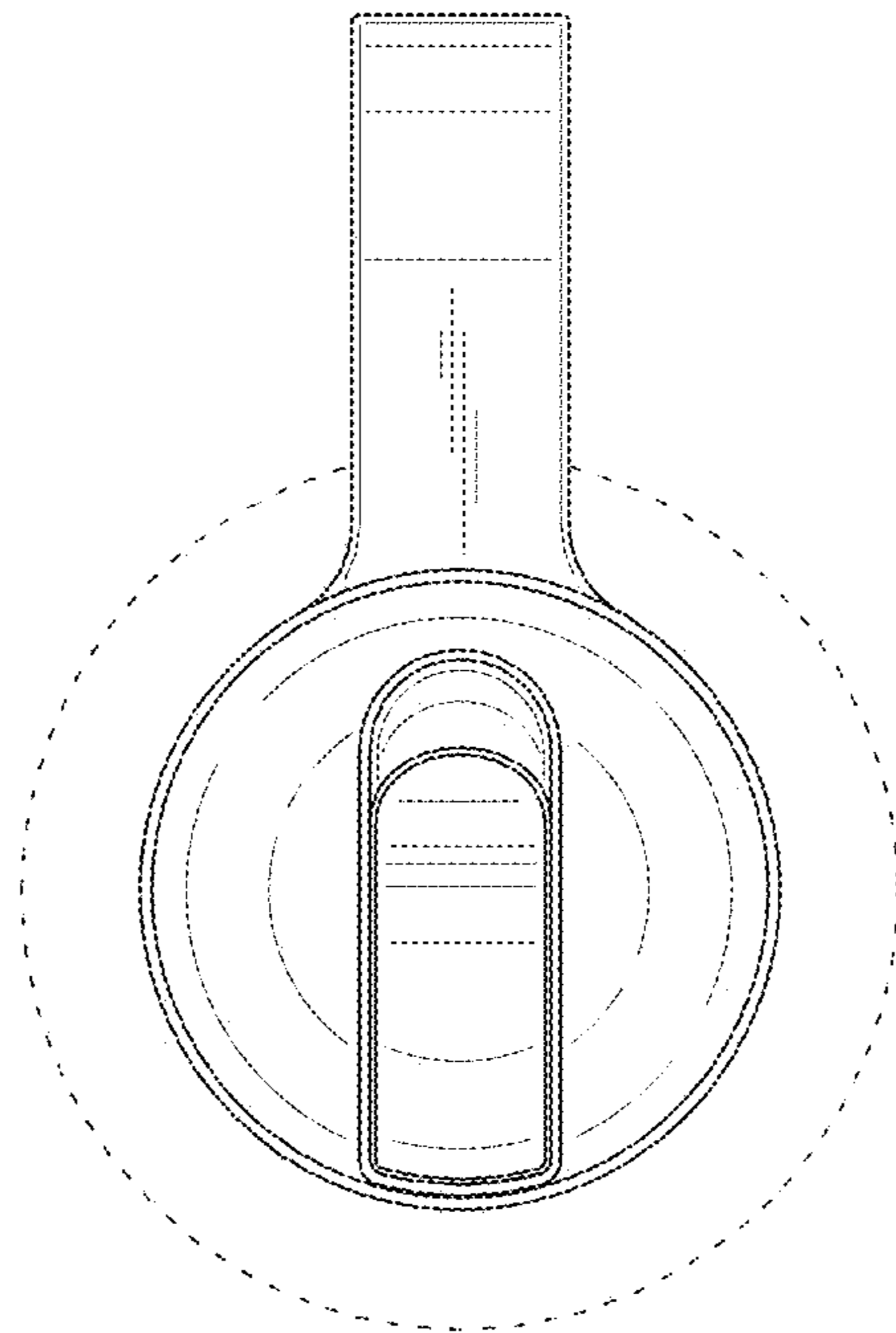


FIG. 5

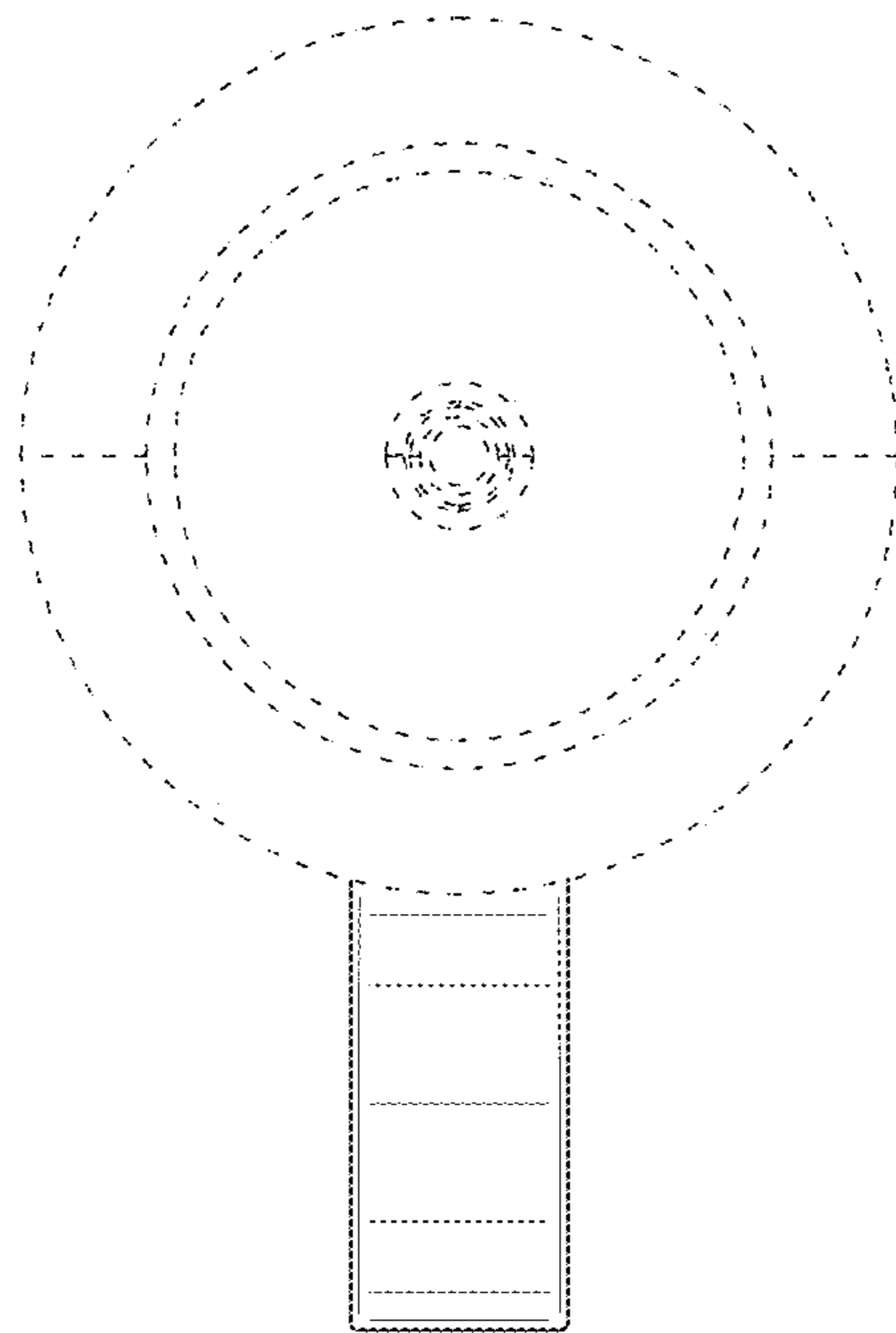


FIG. 6

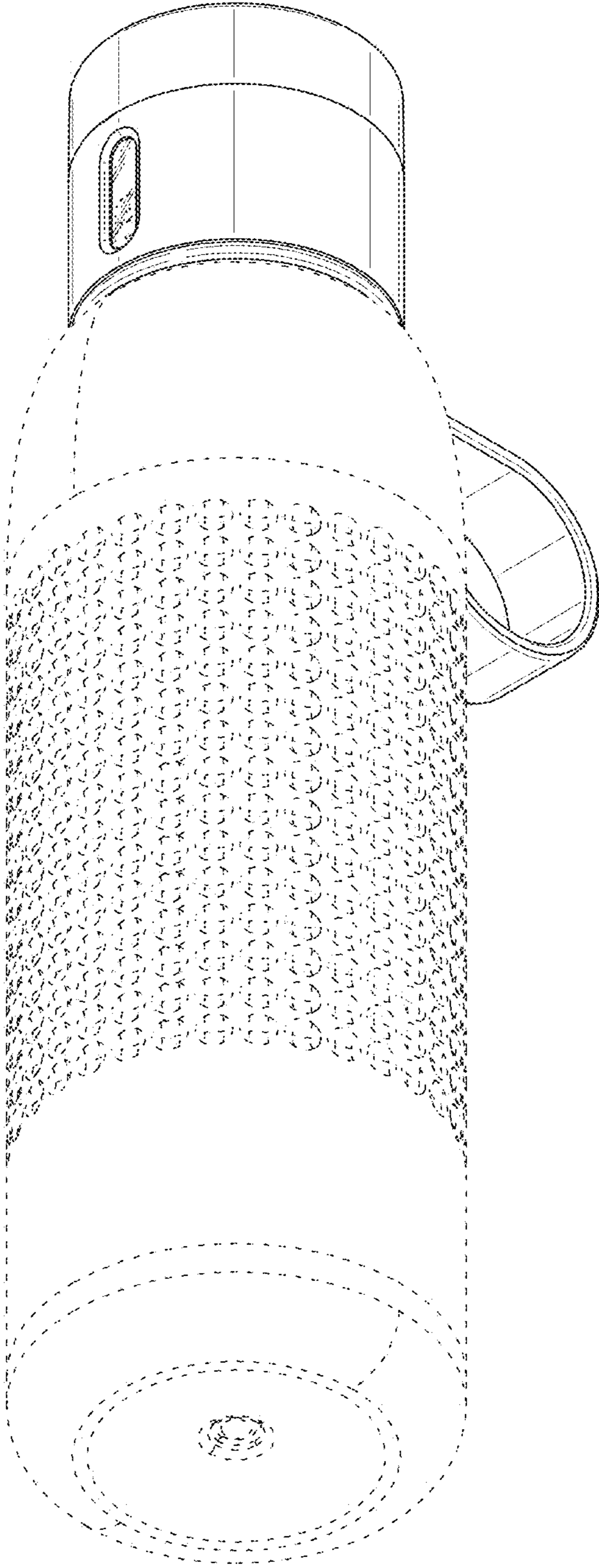


FIG. 7

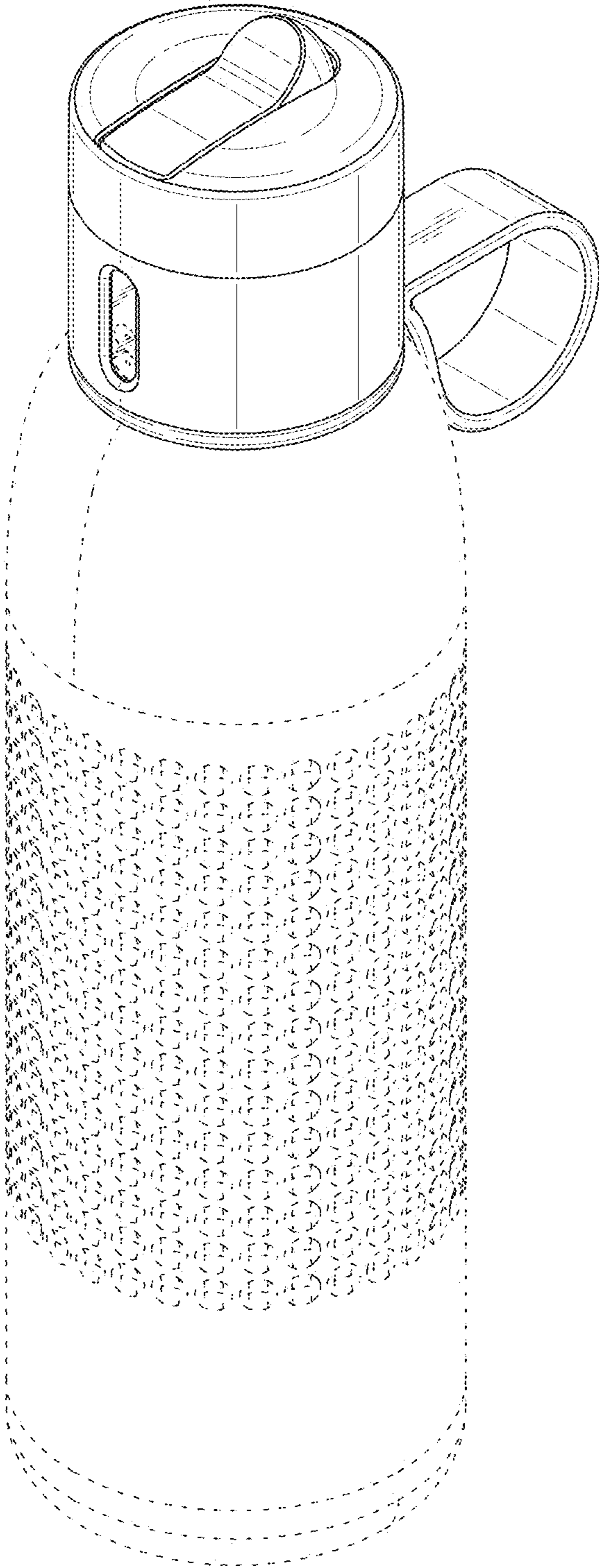


FIG. 8

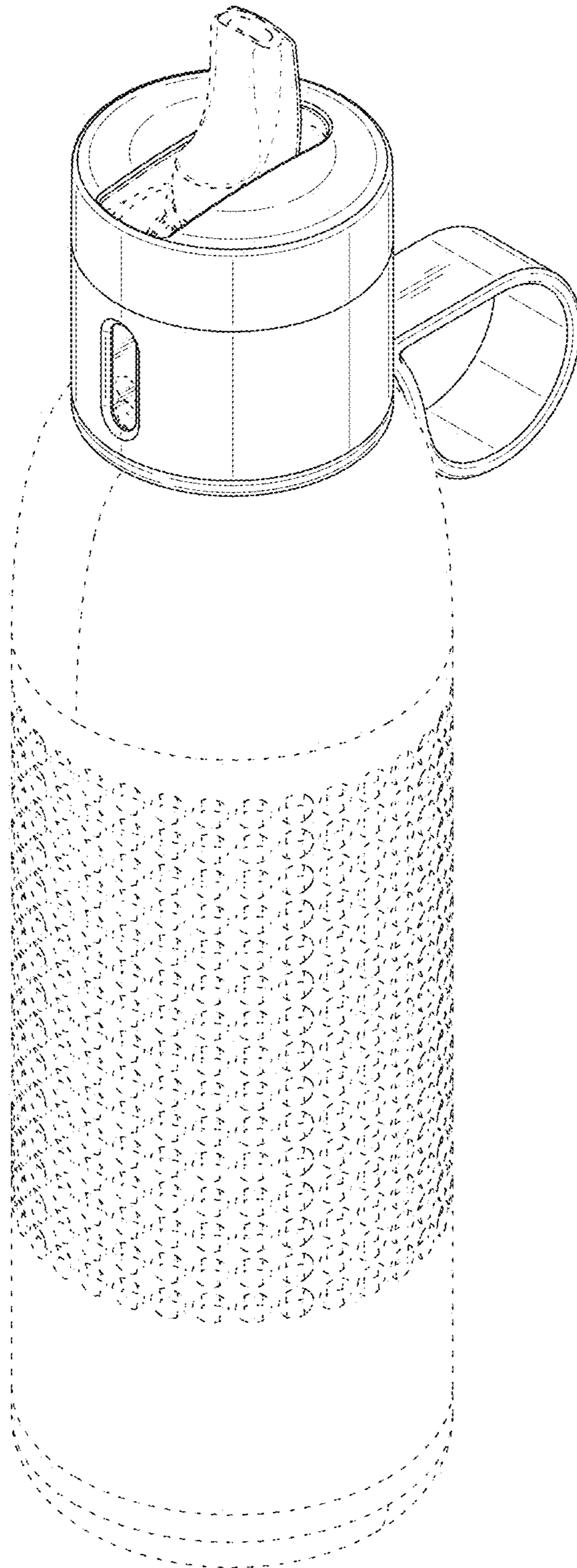


FIG. 9

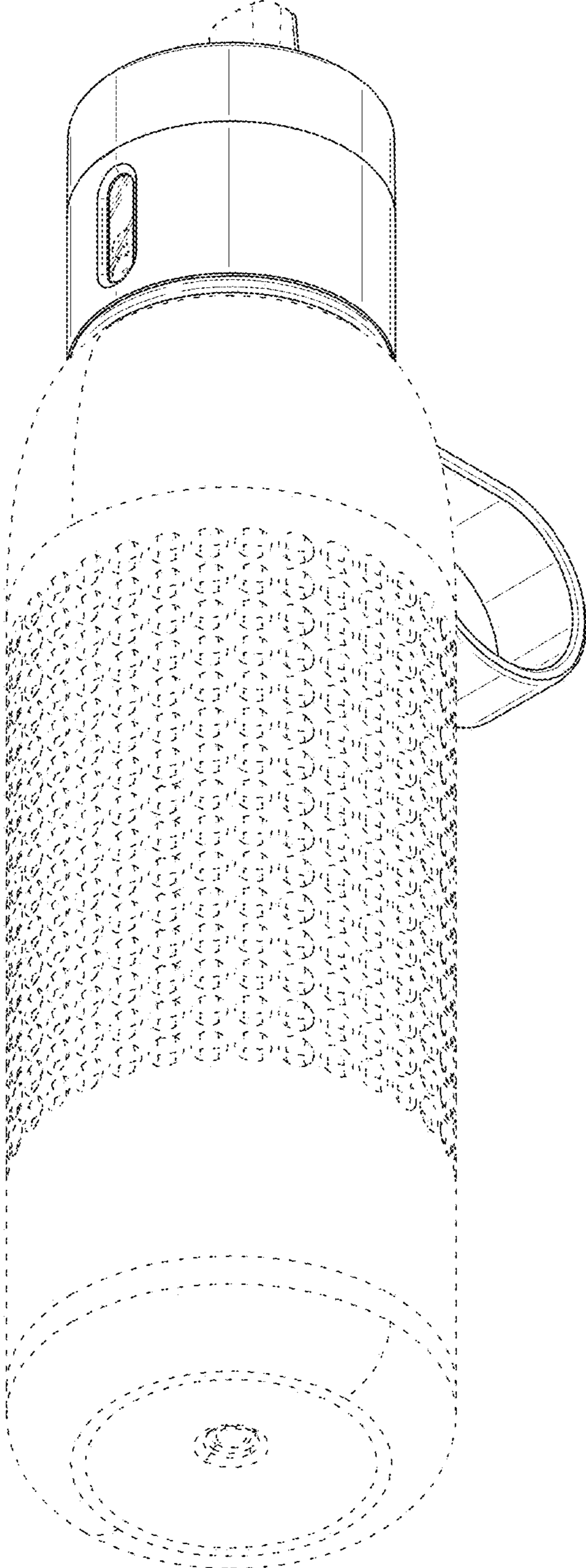


FIG. 10