



US00D922133S

(12) **United States Design Patent** (10) **Patent No.:** **US D922,133 S**  
**Ting et al.** (45) **Date of Patent:** **\*\* Jun. 15, 2021**

(54) **BLENDER BASE**

43/27; A47J 43/042; A47J 43/044; A47J 43/046;

(71) Applicant: **SHARKNINJA OPERATING LLC**,  
Needham, MA (US)

(Continued)

(72) Inventors: **Michael Ting**, Boston, MA (US);  
**Alexander Stuart Hill**, Surrey (GB);  
**Christopher William Hedges**,  
Hampshire (GB); **Jared J. Proulx**,  
Needham, MA (US); **Dan Kestenbaum**,  
Brookline, MA (US); **Deric Z. M. Liu**,  
Guangdong (CN); **Leo Lee**, Guangdong  
(CN); **Robin Yin**, Hunan (CN); **Larry  
Deng**, GuangDong (CN)

(56)

**References Cited**

U.S. PATENT DOCUMENTS

D242,208 S 11/1976 Madl et al.  
D538,595 S 3/2007 White et al.  
(Continued)

FOREIGN PATENT DOCUMENTS

JP 1523840 4/2015  
JP 1618973 11/2018  
JP 1618976 11/2018

OTHER PUBLICATIONS

(73) Assignee: **SHARKNINJA OPERATING LLC**,  
Needham, MA (US)

Addwin Countertop Blender Professional Commercial Mixer Blender;  
Amazon.com Nov. 8, 2018 <https://www.amazon.com/dp/B07KBYWB7L/> (Year: 2018).\*

(\*\*) Term: **15 Years**

(Continued)

(21) Appl. No.: **29/740,202**

*Primary Examiner* — Ricky Pham

(22) Filed: **Jul. 1, 2020**

(74) *Attorney, Agent, or Firm* — Burns & Levinson, LLP;  
Joseph M. Maraia

(57)

**CLAIM**

The ornamental design for a blender base, as shown and described.

**Related U.S. Application Data**

(63) Continuation of application No. 29/694,048, filed on  
Jun. 6, 2019.

(51) **LOC (13) Cl.** ..... **31-00**

(52) **U.S. Cl.**

USPC ..... **D7/386**; D7/376; D7/378; D7/412

(58) **Field of Classification Search**

USPC ..... D7/372, 376–386, 412–413, 602, 629,  
D7/665–666, 669, 679, 693–694

CPC .... A21C 1/02; A21C 1/04; A23N 1/00; A23N  
1/02; A47J 43/04; A47J 43/25; A47J

**DESCRIPTION**

FIG. 1 is a perspective view of a blender, showing our new design;

FIG. 2 is a front view of the embodiment shown in FIG. 1;

FIG. 3 is a rear view of the embodiment shown in FIG. 1;

FIG. 4 is a side view of the embodiment shown in FIG. 1;

FIG. 5 is another side view of the embodiment shown in FIG. 1;

FIG. 6 is a top view of the embodiment shown in FIG. 1;  
and,

(Continued)

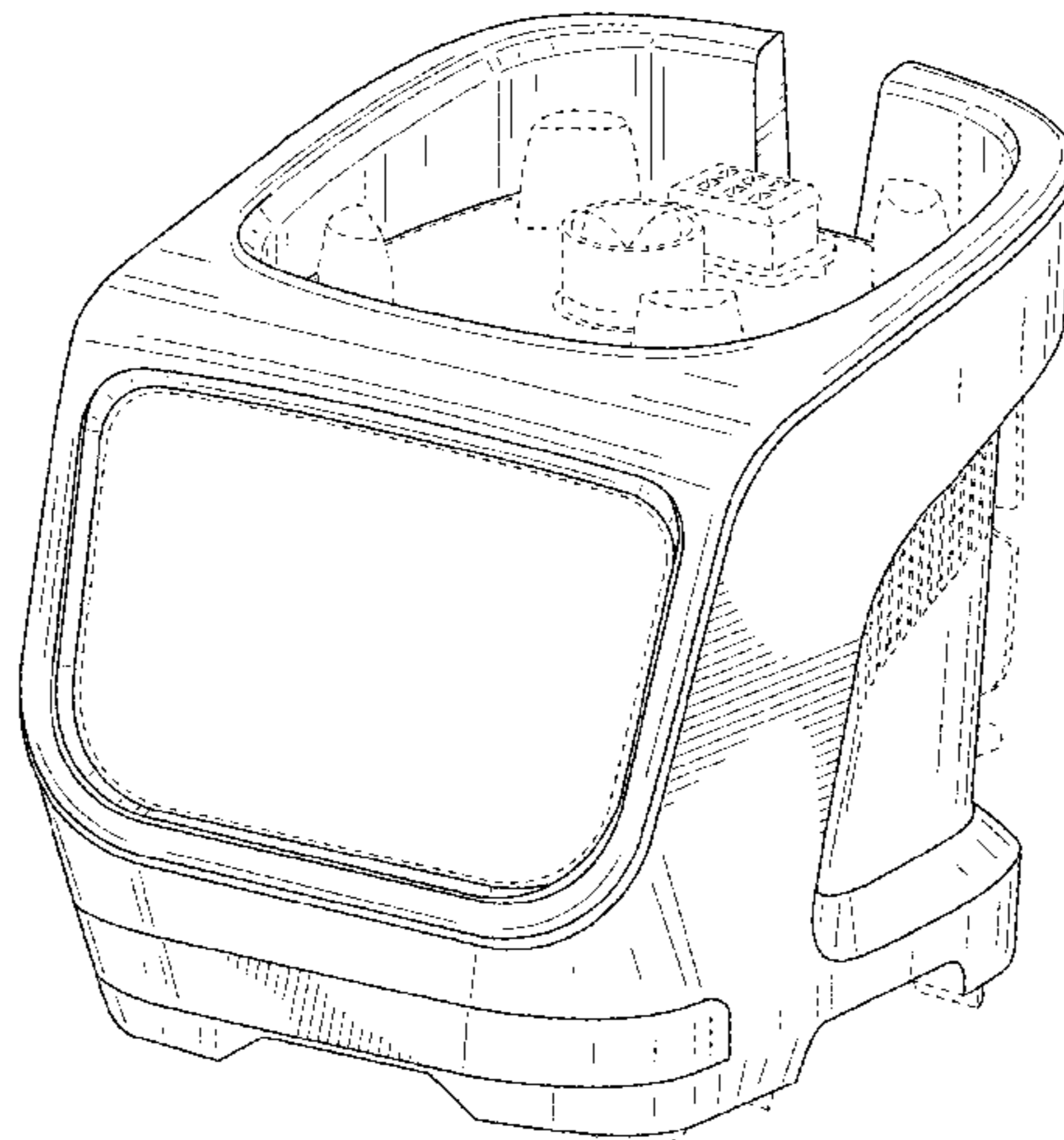


FIG. 7 is a bottom view of the embodiment shown in FIG. 1.

The broken lines in the figures are for environmental purposes only and form no part of the claimed design.

**1 Claim, 7 Drawing Sheets**

(58) **Field of Classification Search**

CPC .. A47J 43/075; A47J 43/0722; A47J 43/0727; B01F 3/00; B01F 3/0807; B01F 3/0853; B01F 13/0059; B01F 13/0064; B02C 1/08; B02C 2/04; B02C 4/42; B02C 4/142; B02C 4/143; B02C 4/423; B02C 13/1835; B28C 5/10; B28C 5/12; B28C 5/14; B28C 5/16

See application file for complete search history.

(56) **References Cited**

U.S. PATENT DOCUMENTS

D578,340 S	10/2008	Picozza et al.	
D605,462 S	12/2009	Picozza et al.	
D642,858 S	8/2011	Lazzer	
D647,357 S	10/2011	Audette et al.	
D677,976 S	3/2013	Palermo et al.	
D704,502 S *	5/2014	Coakley .....	D7/386
D705,606 S	5/2014	Coakley et al.	
D707,079 S *	6/2014	Blaise .....	D7/384
D711,688 S	8/2014	Prats	
D730,682 S *	6/2015	Tu .....	D7/386
D730,683 S	6/2015	Tu	
D733,488 S	7/2015	Tu	
D747,135 S	1/2016	Ha	
D769,061 S	10/2016	Diderotto	
D771,999 S	11/2016	Kettavong et al.	
D779,265 S *	2/2017	Barquin .....	D7/386
D783,340 S *	4/2017	Palermo .....	D7/386

D784,761 S	4/2017	Tu	
D789,735 S	6/2017	Palermo et al.	
D793,153 S	8/2017	Tu	
D794,384 S	8/2017	Lee	
D797,496 S *	9/2017	Gee, II .....	D7/386
D798,101 S	9/2017	Rose et al.	
D808,718 S	1/2018	Coakley	
D808,719 S	1/2018	Coakley	
9,855,535 B2 *	1/2018	Arnett .....	A47J 43/046
D809,333 S	2/2018	Lee	
D811,806 S *	3/2018	Bock .....	D7/386
D821,806 S	7/2018	Coakley et al.	
D832,029 S *	10/2018	Gee, II .....	D7/386
D842,643 S	3/2019	Mullen et al.	
D842,644 S	3/2019	Kettavong et al.	
D846,338 S	4/2019	Smith et al.	
D846,339 S	4/2019	Smith	
D851,982 S	6/2019	Deleo et al.	
D865,438 S	11/2019	Coakley et al.	
D896,022 S *	9/2020	Ye .....	D7/384
2014/0247686 A1	9/2014	Arnett et al.	
2016/0287011 A1	10/2016	Deshayes et al.	
2016/0324369 A1	11/2016	Lee	
2016/0331182 A1 *	11/2016	Golino .....	A47J 43/046
2017/0341253 A1	11/2017	Arriens et al.	

OTHER PUBLICATIONS

Amazon.com; "Vitamix Con A3300 Ascent Series Smart Blender"; Available on amazon.com Jan. 5, 2017; (Year: 2017); <https://www.amazon.com/dp/B01MT67Z7B/>; 1 page.  
 Japanese Application No. 201926608 filed Nov. 29, 2019; Notice of Allowance dated Mar. 11, 2020; 6 pages.  
 U.S. Appl. No. 29/694,048, filed Jun. 6, 2019; Notice of Allowance dated Nov. 3, 2020; 13 pages.  
 U.S. Appl. No. 29/694,048, filed Jun. 6, 2019; Notice of Allowance dated Jul. 27, 2020; 11 pages.  
 U.S. Appl. No. 29/740,283, filed Jul. 2, 2020; Restriction Requirement dated Oct. 2, 2020; 8 pages.

\* cited by examiner

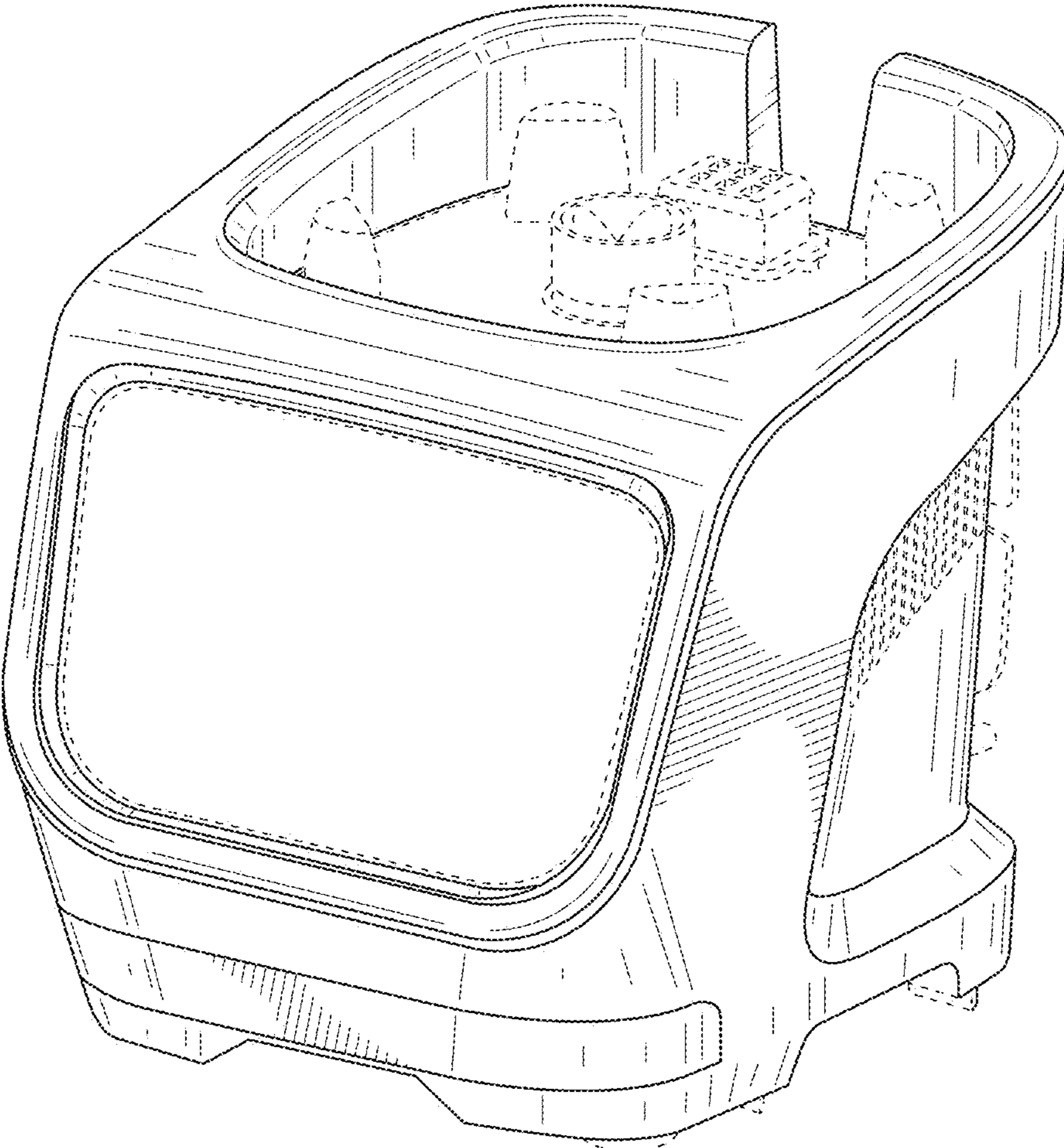


FIG. 1

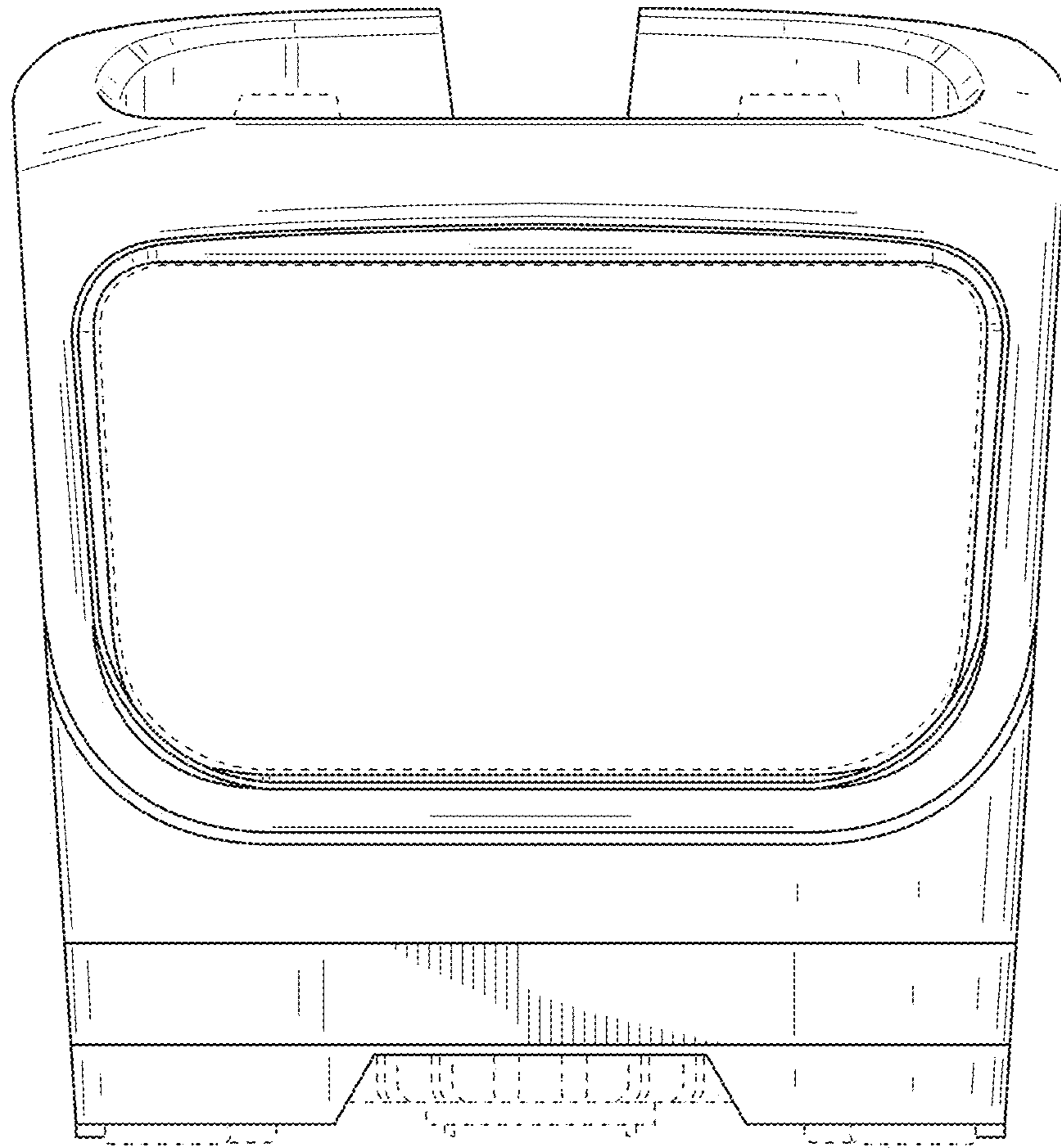


FIG. 2

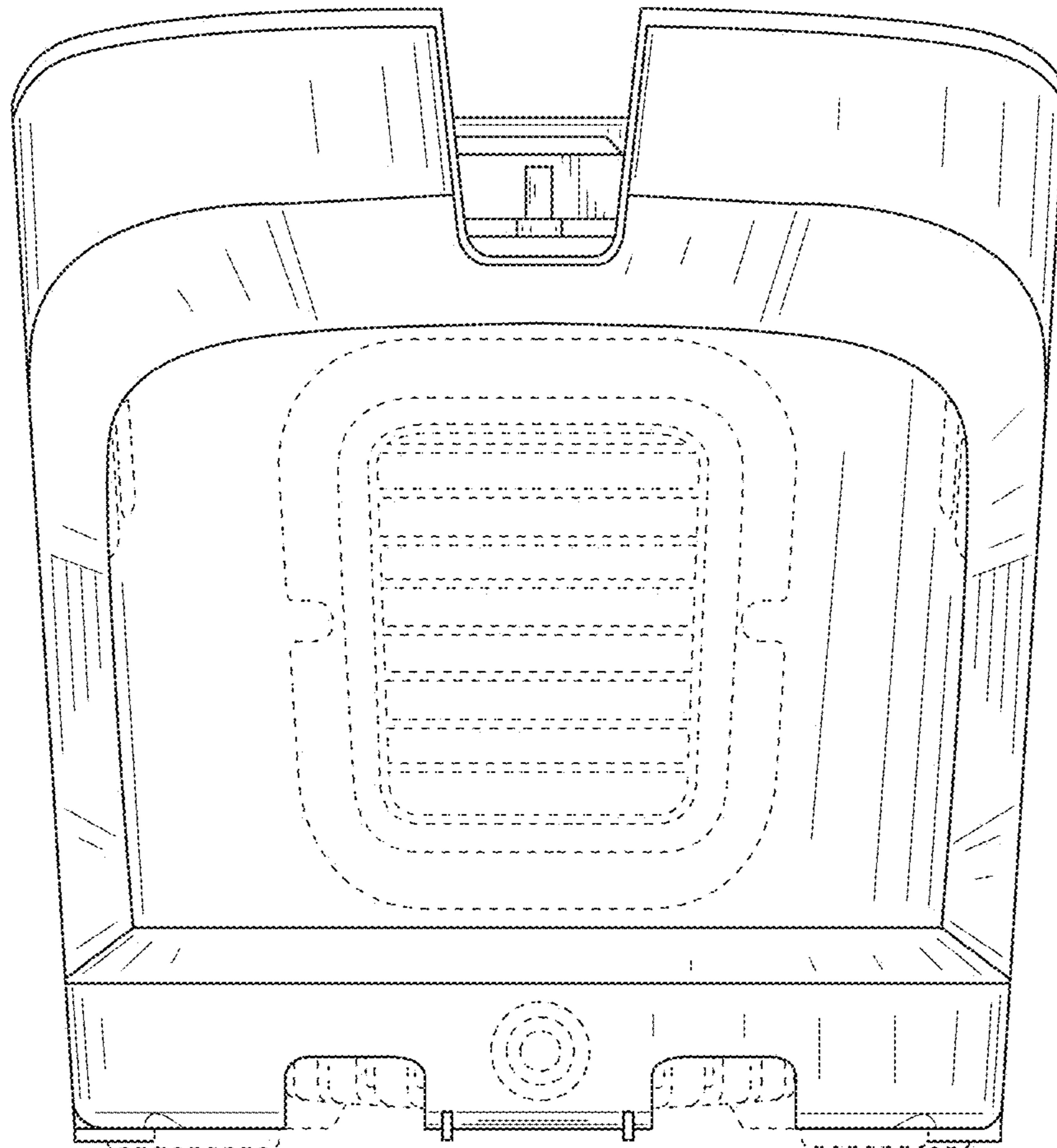


FIG. 3

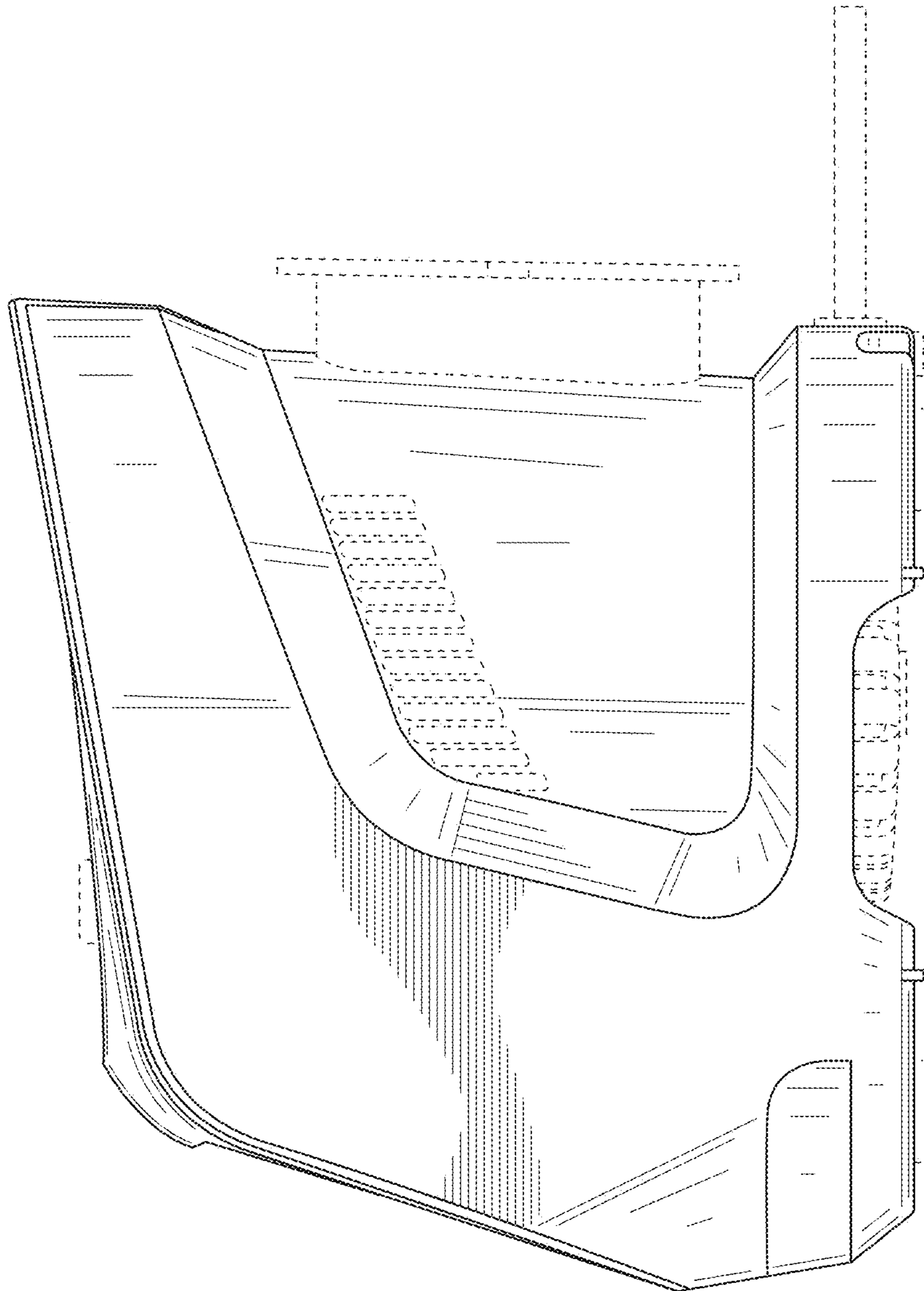


FIG. 4

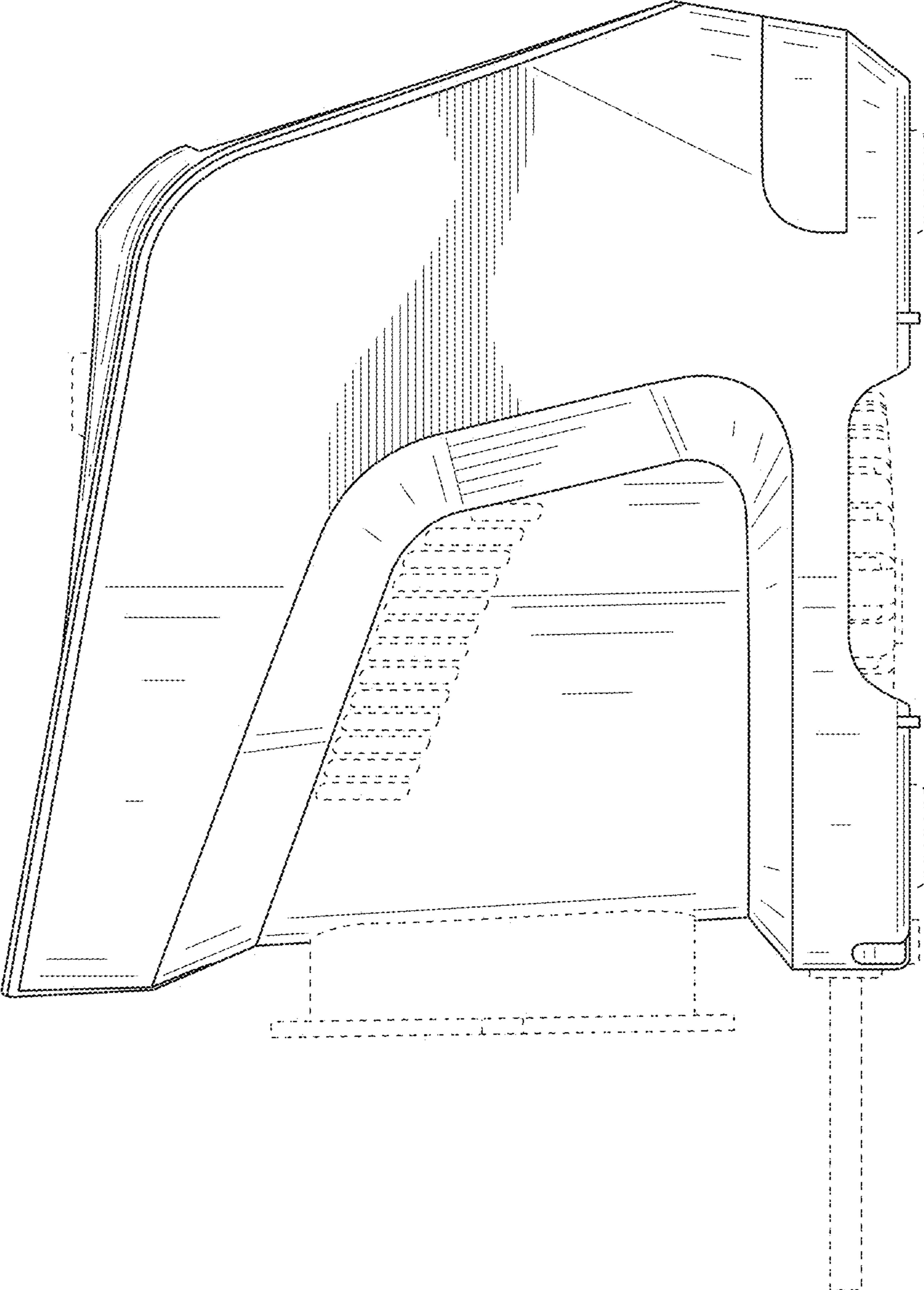


FIG. 5

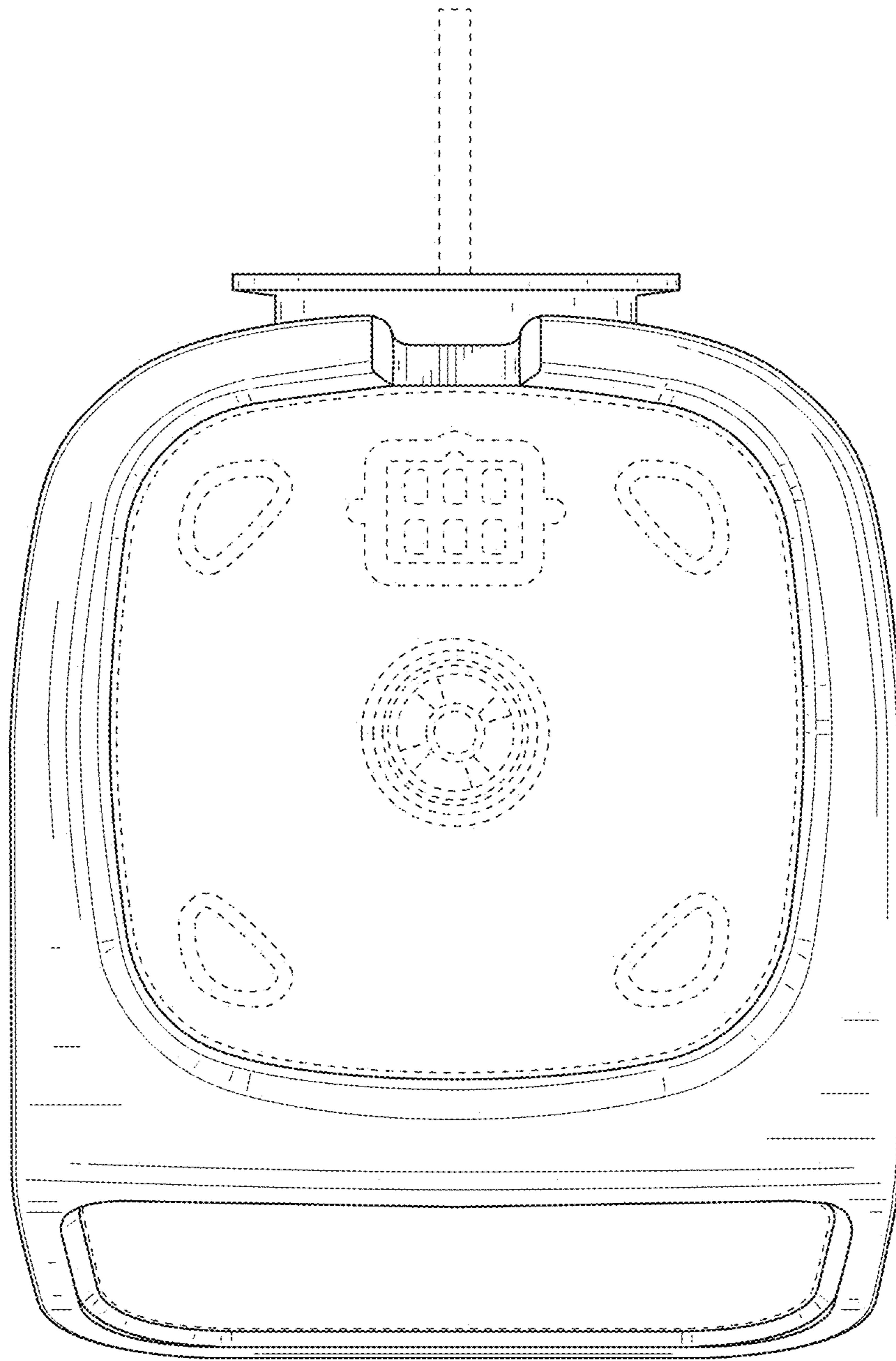


FIG. 6



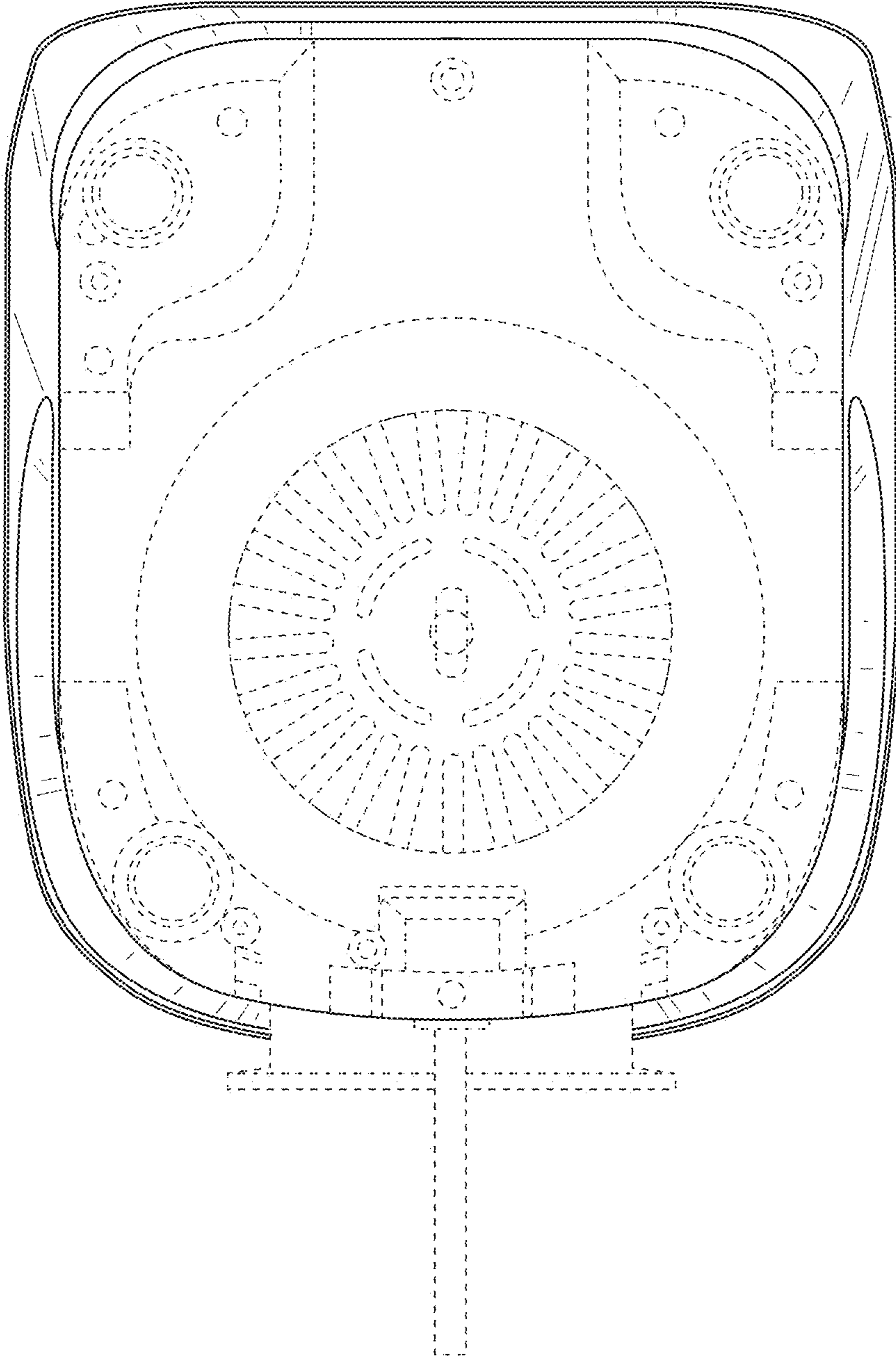


FIG. 7