



US00D922132S

(12) **United States Design Patent** (10) **Patent No.:** **US D922,132 S**
Gee et al. (45) **Date of Patent:** **** Jun. 15, 2021**

(54) **IMMERSION BLENDER**

(56) **References Cited**

(71) Applicant: **VITA-MIX MANAGEMENT CORPORATION**, Olmsted Township, OH (US)

U.S. PATENT DOCUMENTS

(72) Inventors: **Jack W. Gee**, Willoughby, OH (US);
Phonesacksith Guy Kettavong, Medina, OH (US)

D394,367 S *	5/1998	Littmann	D7/376
D534,032 S *	12/2006	Lloyd	D7/380
D651,041 S *	12/2011	Bachmann	D7/380
D662,765 S *	7/2012	Grabes	D7/380
D681,391 S *	5/2013	Agren	D7/380
D691,412 S *	10/2013	Ragot	D7/379
D724,373 S *	3/2015	Ji	D7/380
D724,374 S *	3/2015	Sanguinetti	D7/380
D726,496 S *	4/2015	Vu	D7/380
D731,236 S *	6/2015	Yin	D7/380
D817,081 S *	5/2018	Verbrugge	D7/379
D846,340 S *	4/2019	Gan	D7/380
D886,512 S *	6/2020	Thun	D7/379

(73) Assignee: **VITA-MIX MANAGEMENT CORPORATION**, Olmsted Township, OH (US)

(**) Term: **15 Years**

* cited by examiner

(21) Appl. No.: **29/721,630**

Primary Examiner — Ricky Pham

(22) Filed: **Jan. 22, 2020**

(74) *Attorney, Agent, or Firm* — McDonald Hopkins LLC

(51) **LOC (13) Cl.** **31-00**

(57) **CLAIM**

(52) **U.S. Cl.**

The ornamental design for an immersion blender, as shown and described.

USPC **D7/379; D7/376; D7/380**

(58) **Field of Classification Search**

DESCRIPTION

USPC D7/372, 376–386, 412–413, 602, 629,
D7/665–666, 669, 679, 693–694

CPC A21C 1/02; A21C 1/04; A23N 1/00; A23N
1/02; A47J 43/04; A47J 43/25; A47J
43/27; A47J 43/042; A47J 43/044; A47J
43/046; A47J 43/075; A47J 43/0722;
A47J 43/0727; A47J 43/082; B01F 3/00;
B01F 3/0807; B01F 3/0853; B01F
13/0059; B01F 13/0064; B02C 1/08;
B02C 2/04; B02C 4/42; B02C 4/142;
B02C 4/143; B02C 4/423; B02C 13/1835;
B28C 5/10; B28C 5/12; B28C 5/14;
B28C 5/16; F21S 9/02

FIG. 1 is a top perspective view of an immersion blender showing new design;

FIG. 2 is a bottom perspective view thereof;

FIG. 3 is a front view thereof;

FIG. 4 is a rear view thereof;

FIG. 5 is a first side view thereof;

FIG. 6 is a second side view thereof;

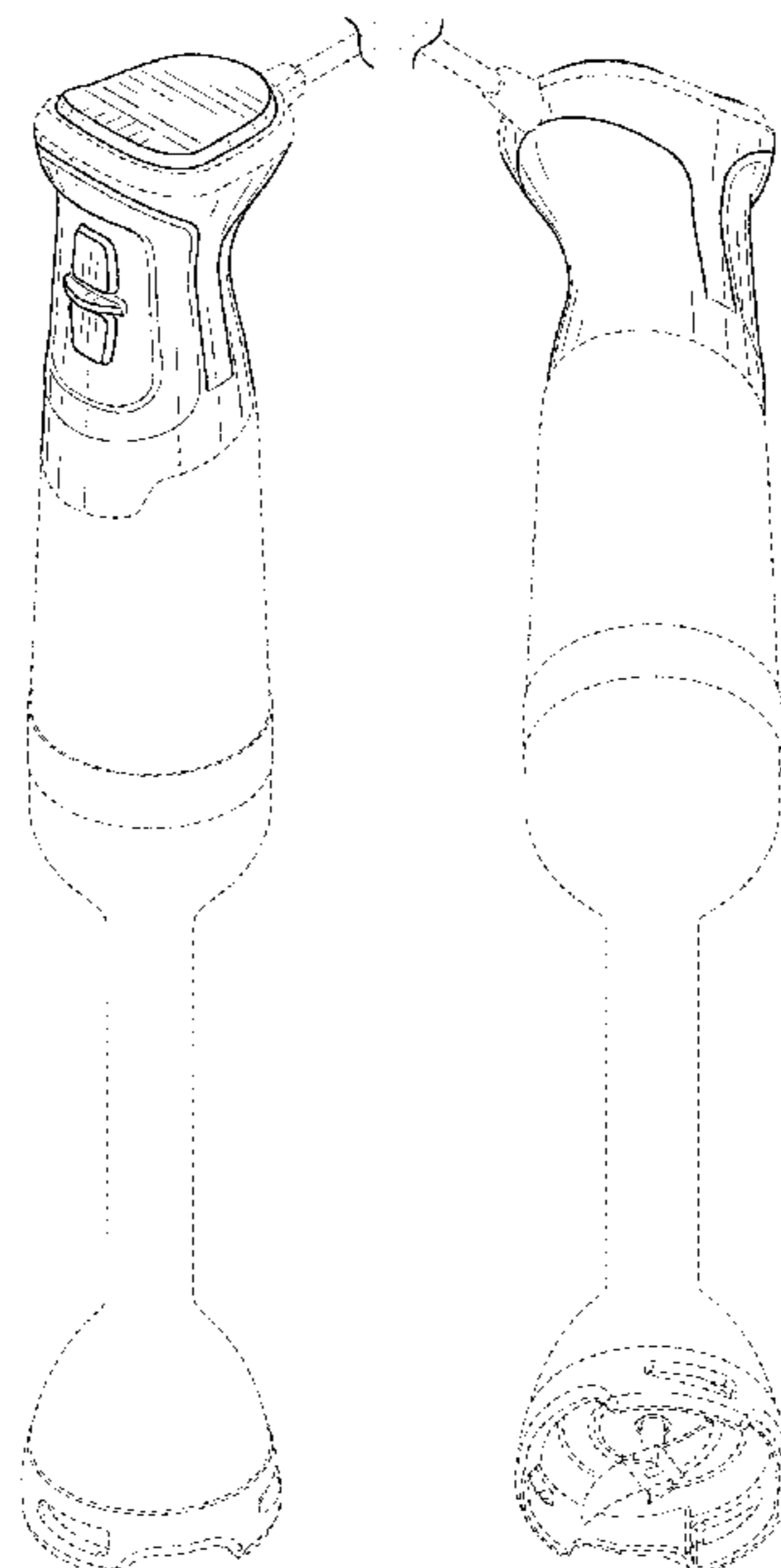
FIG. 7 is a top view thereof; and,

FIG. 8 is a bottom view thereof.

The broken lines in the figures are included for the purpose of illustrating portions of an immersion blender and form no part of the claimed design.

See application file for complete search history.

1 Claim, 7 Drawing Sheets



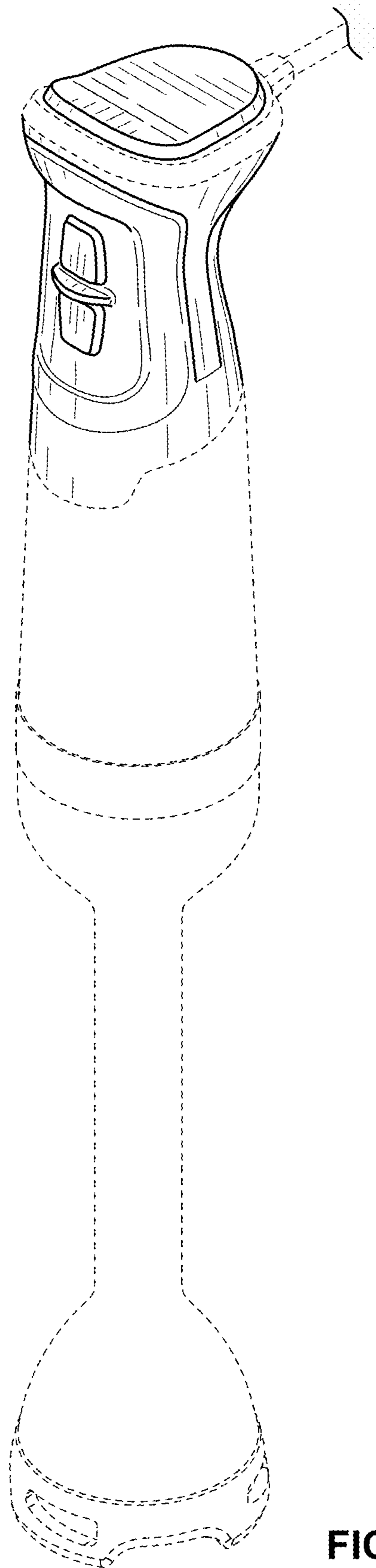


FIG. 1

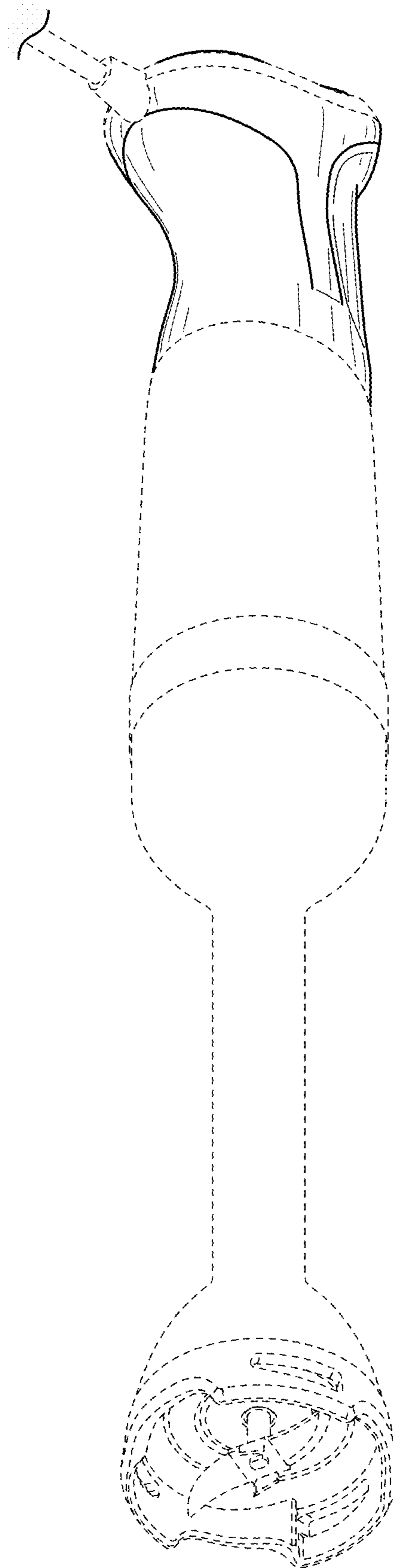


FIG. 2

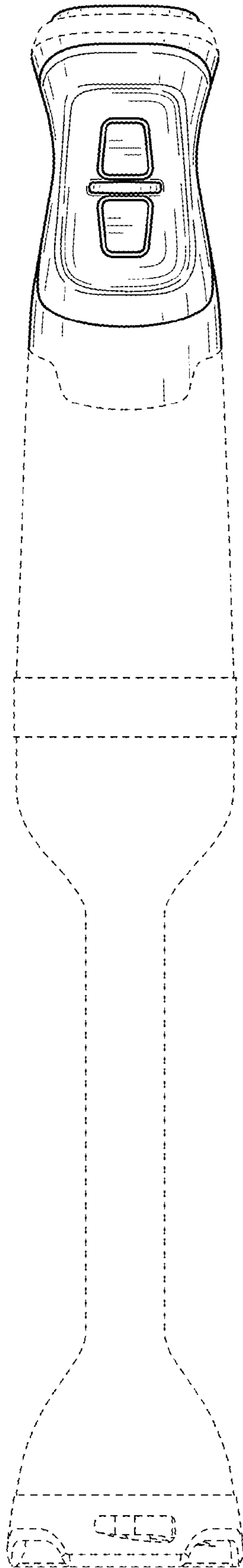


FIG. 3

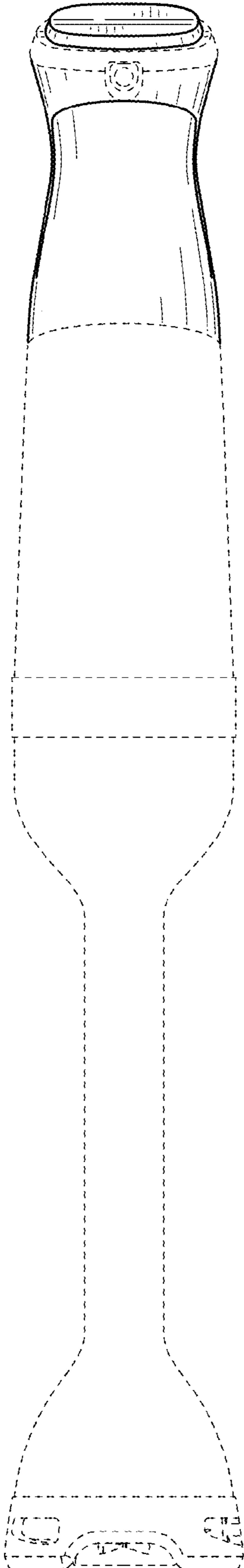


FIG. 4

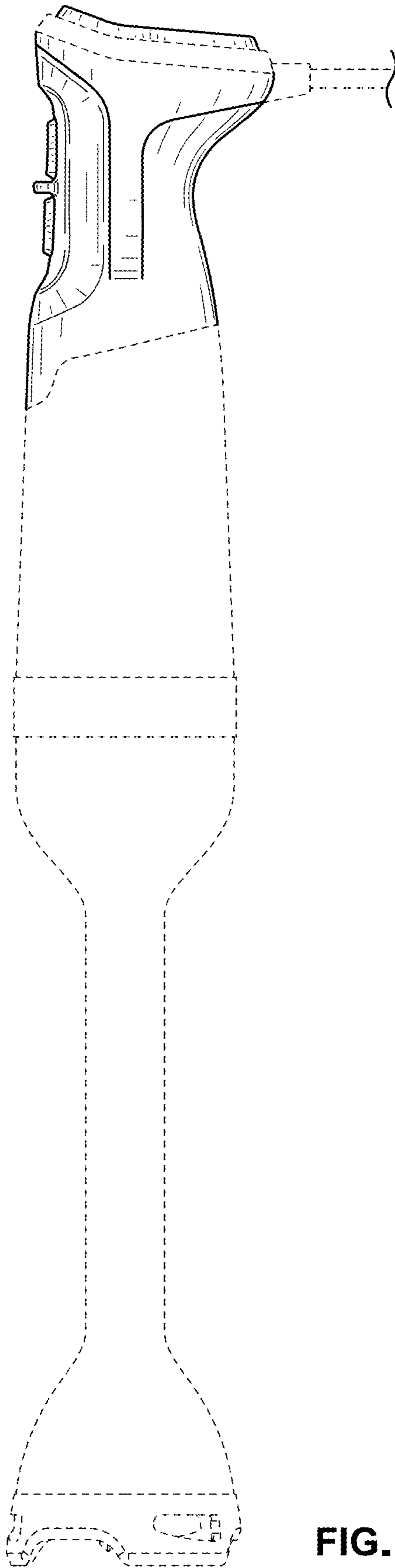


FIG. 5

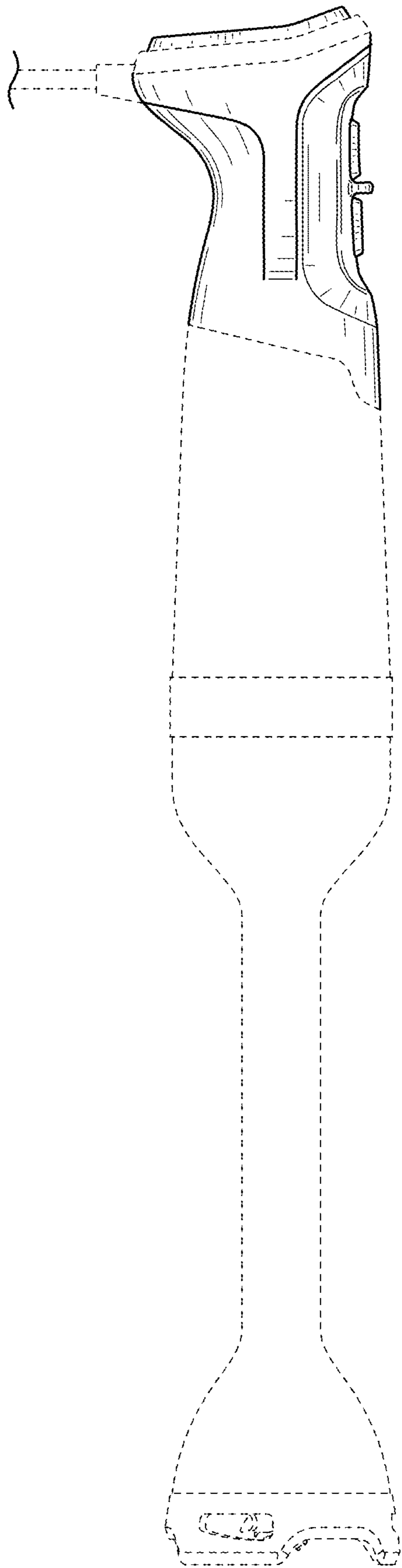


FIG. 6

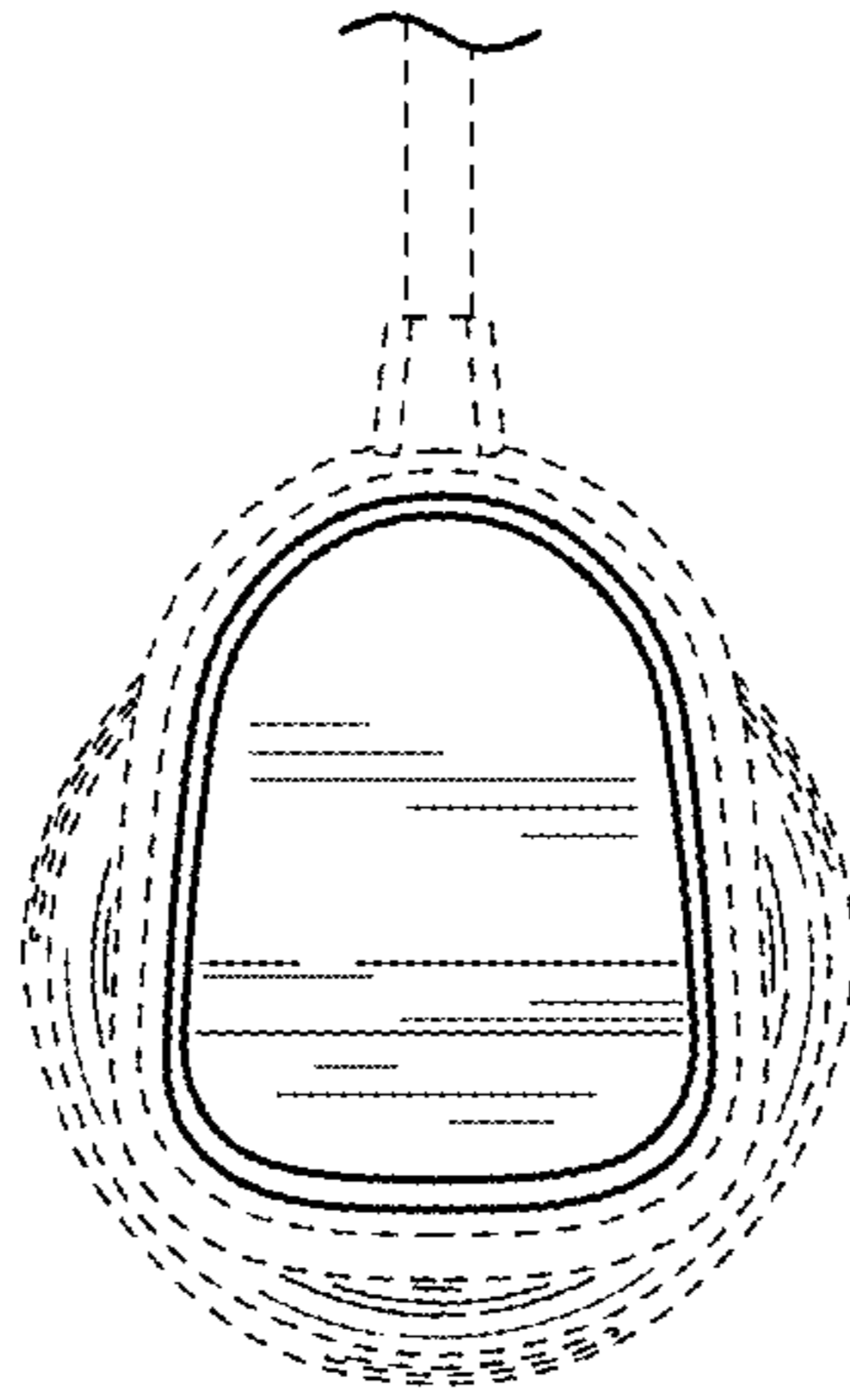


FIG. 7

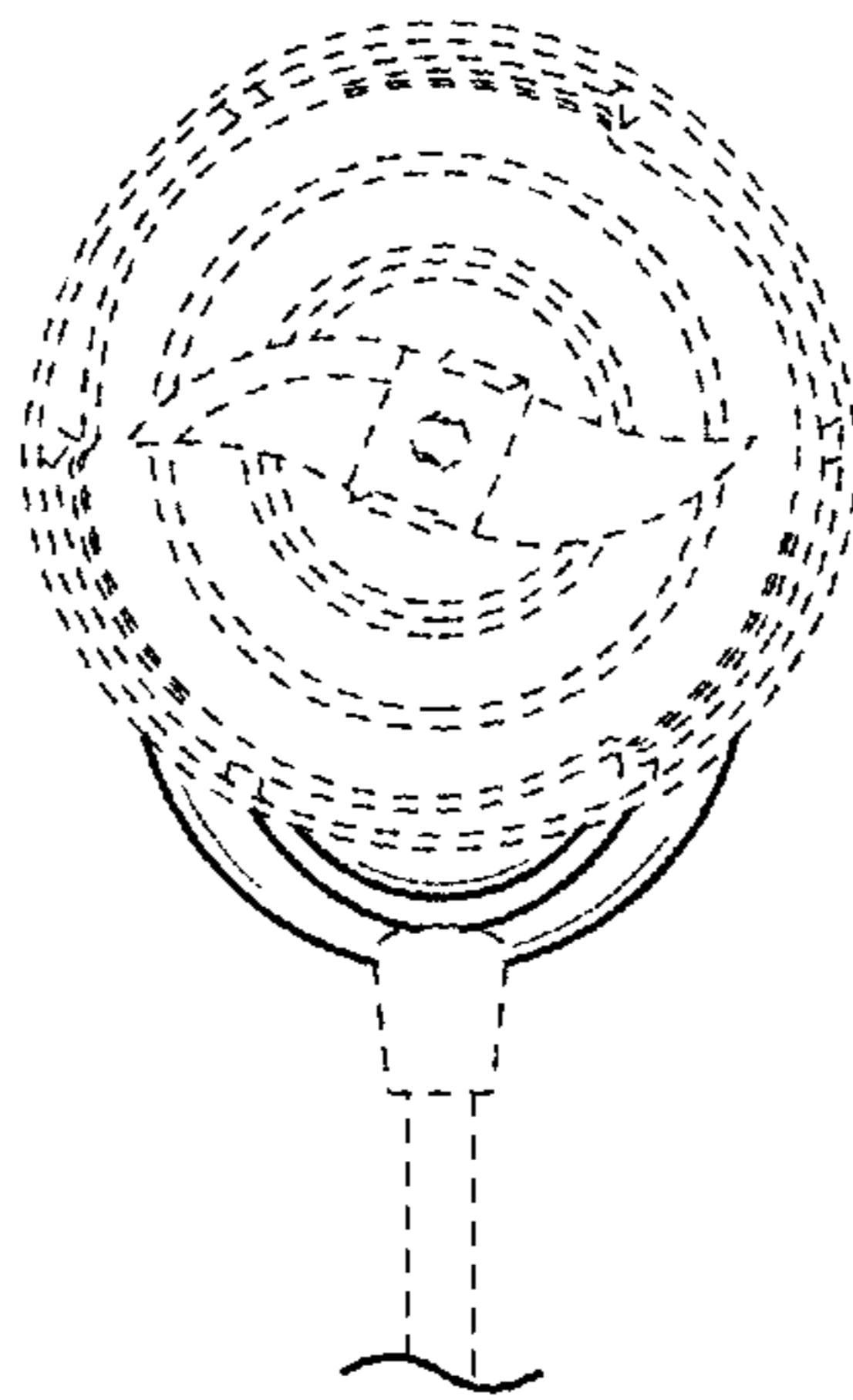


FIG. 8