



US00D922131S

(12) **United States Design Patent**
Hoff et al.

(10) **Patent No.:** **US D922,131 S**

(45) **Date of Patent:** **** Jun. 15, 2021**

(54) **COMBINED COOKWARE PAN AND LID**

(71) Applicant: **Access Business Group International LLC**, Ada, MI (US)

(72) Inventors: **Susan K. Hoff**, Grand Rapids, MI (US); **Giuseppe Alberto Bertozzini**, Fermignano (IT)

(73) Assignee: **Access Business Group International LLC.**, Ada, MI (US)

(**) Term: **15 Years**

(21) Appl. No.: **29/713,180**

(22) Filed: **Nov. 14, 2019**

(51) **LOC (13) Cl.** **07-02**

(52) **U.S. Cl.**
USPC **D7/361**

(58) **Field of Classification Search**
USPC D7/323, 338, 352, 354, 355, 356, 357, D7/358, 359, 360, 361, 362, 363, 364, D7/365, 366, 367, 402, 407, 409
CPC .. A21B 3/00; A21B 3/13; A21B 3/131; A21B 3/132; A21B 3/135; A21B 3/136; A21B 3/137; A21B 3/15; A21B 5/00; A21B 5/02; A21B 5/04; A47J 27/00; A47J 36/00; A47J 36/02; A47J 36/06; A47J 36/16; A47J 36/24; A47J 36/022; A47J 36/027; A47J 37/00; A47J 37/01; A47J 37/04; A47J 37/06; A47J 37/10; A47J 37/07; A47J 37/0781; A47J 43/20
See application file for complete search history.

(56) **References Cited**

U.S. PATENT DOCUMENTS

D172,840 S * 8/1954 Olswang D7/361
D370,826 S * 6/1996 Thurlow D7/360
D470,715 S * 2/2003 Kloppsteck D7/360
D490,270 S 5/2004 Pippel et al.
D493,060 S 7/2004 Pippel et al.

D555,423 S 11/2007 Hoff
D560,964 S 2/2008 Hoff
D579,714 S * 11/2008 Cheng D7/360
D580,214 S * 11/2008 Dodane D7/361
D581,721 S * 12/2008 Rae D7/360
D587,519 S * 3/2009 Cheng D7/360
D598,702 S * 8/2009 Hoekstra D7/361
D637,861 S * 5/2011 Degnan D7/360

(Continued)

OTHER PUBLICATIONS

BergHOFF Glass Covered Deep Pan With a Removable Handle, announced ©2019 [online], retrieved Oct. 22, 2020, retrieved from internet, <https://limecook.com/virtuves-reikmenys/berghoff-glass-covered-deep-pan-with-a-removable-handle-gem-4-4-1-2307305/>.

(Continued)

Primary Examiner — Dana K Weiland
Assistant Examiner — Messina L Smith

(57) **CLAIM**

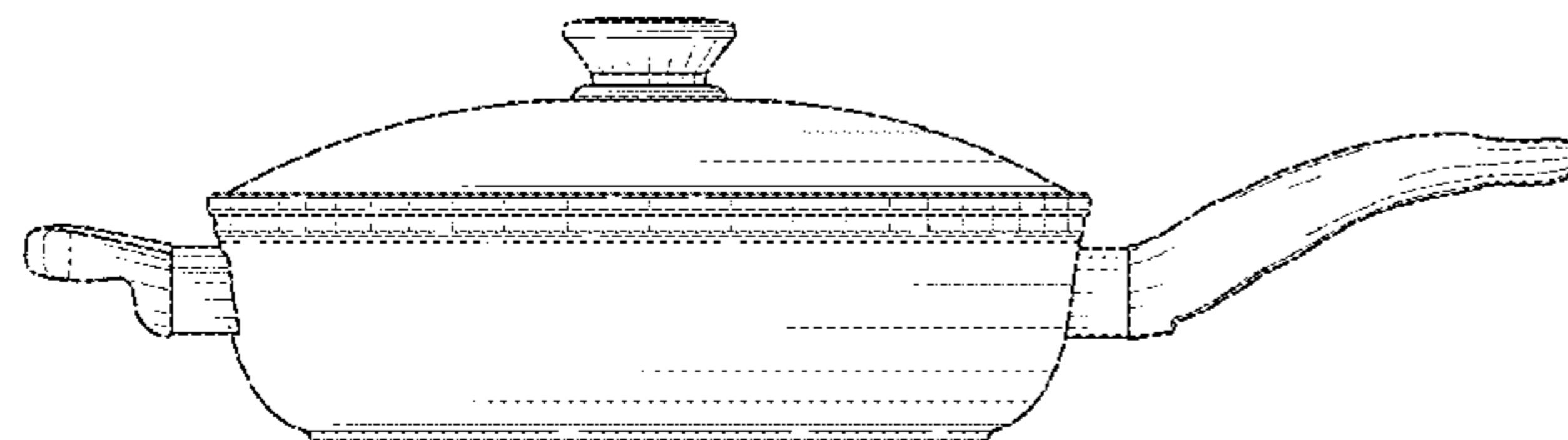
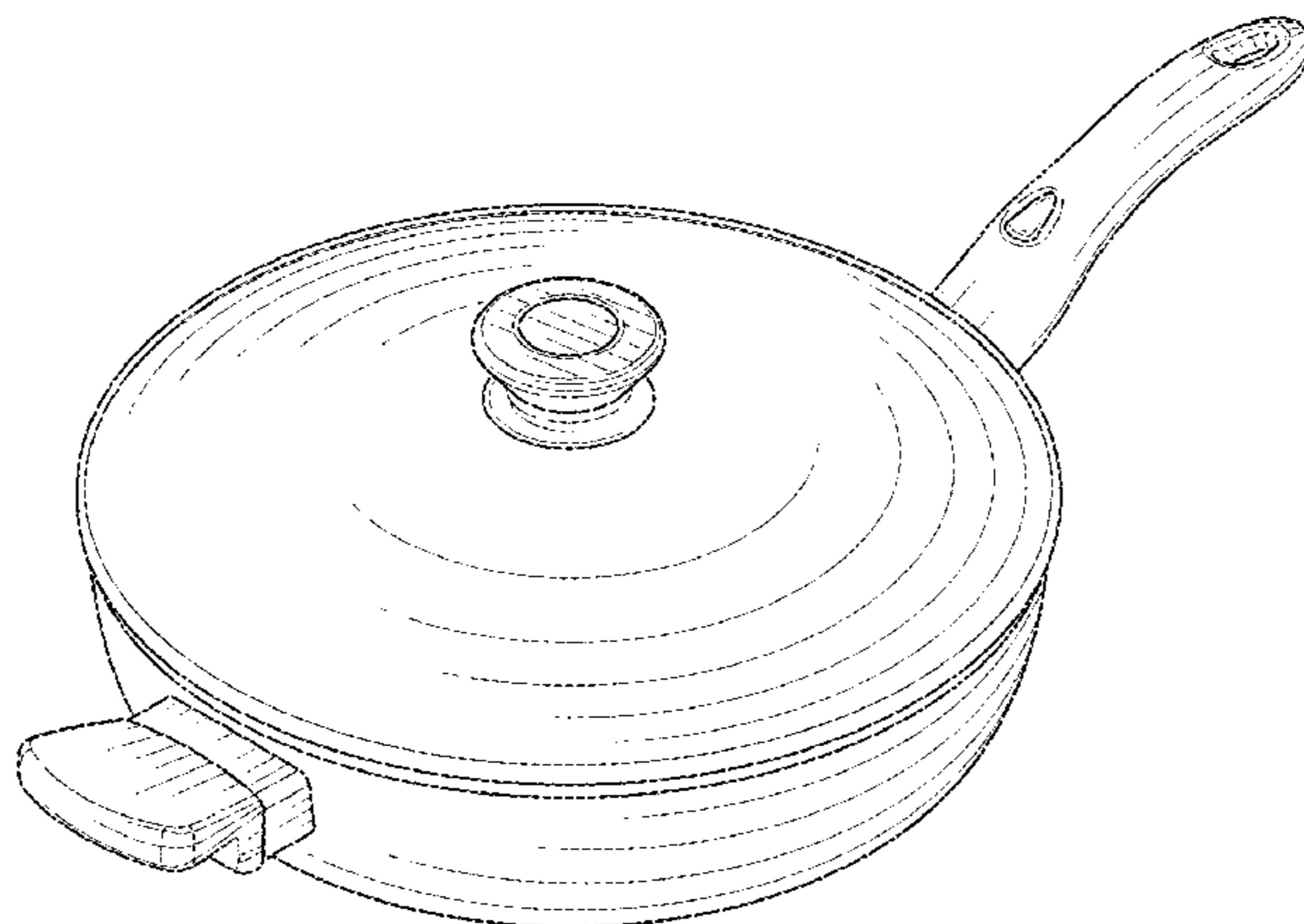
The ornamental design for a combined cookware pan and lid, as shown and described.

DESCRIPTION

FIG. 1 is a perspective view of a combined cookware pan and lid showing the new design; FIG. 2 is a right-side view thereof; FIG. 3 is a left-side view thereof; FIG. 4 is a front view thereof; FIG. 5 is a rear view thereof; FIG. 6 is a top view thereof; and, FIG. 7 is a bottom view thereof.

The broken lines shown in the figures depict portions of the combined cookware pan and lid that form no part of the claimed design. Further, the broken lines immediately adjacent the solid-line portions of the design form the boundary of the design, with the broken lines forming no part of the claimed design.

1 Claim, 4 Drawing Sheets



(56)

References Cited

U.S. PATENT DOCUMENTS

D674,655 S *	1/2013	Chen	D7/361
D677,517 S *	3/2013	Dichraff	D7/361
D677,518 S *	3/2013	Dichraff	D7/361
D777,506 S *	1/2017	Mirchandani	D7/361
D797,491 S *	9/2017	Mirchandani	D7/354
D811,803 S *	3/2018	Lee	D7/362
D812,414 S *	3/2018	Kastner	D7/361
D819,393 S *	6/2018	Dodane	D7/361
D823,635 S *	7/2018	Gabbay	D7/361
D825,255 S *	8/2018	Mirchandani	D7/361
D834,875 S *	12/2018	Feng	D7/361
D876,152 S *	2/2020	Levy	D7/354

OTHER PUBLICATIONS

Sky Light Frying Pan with Lid, announced Sep. 2, 2019 [online],
retrieved Oct. 22, 2020, retrieved from internet, <https://www.amazon.com/Stone-Derived-Stainless-Induction-Compatible-Dishwasher/dp/B07X9MBWYZ>.

Boniotti deep cast aluminum frypan with lid, announced Apr. 21, 2015 [online], retrieved Oct. 22, 2020, retrieved from internet, <https://www.pfannenprofis.de/BONIOTTI-deep-frypan-induction-28-detachable-handle>.

Blacklock *49* 4 Quart Deep Skillet With Lid, no announcement date [online], retrieved Oct. 22, 2020, retrieved from internet, <https://www.lodgecastiron.com/product/blacklock-deep-skillet-with-lid?sku=BL49LDSK>.

Enameled Cast Iron Skillet Deep Saute Pan with Lid, announced Nov. 26, 2019 [online], retrieved Oct. 22, 2020, retrieved from internet, <https://www.overstock.com/Home-Garden/Cast-Iron-Skillet-Saute-Pan-12-inch/28435952/product.html>.

Pre-Seasoned Cast Iron Deep Pan, announced ©2020 [online], retrieved Oct. 22, 2020, retrieved from internet, <https://cookstore.se/en/product/pre-seasoned-cast-iron-deep-pan-25-cm-with-wooden-handle-and-cast-iron-lid>.

* cited by examiner

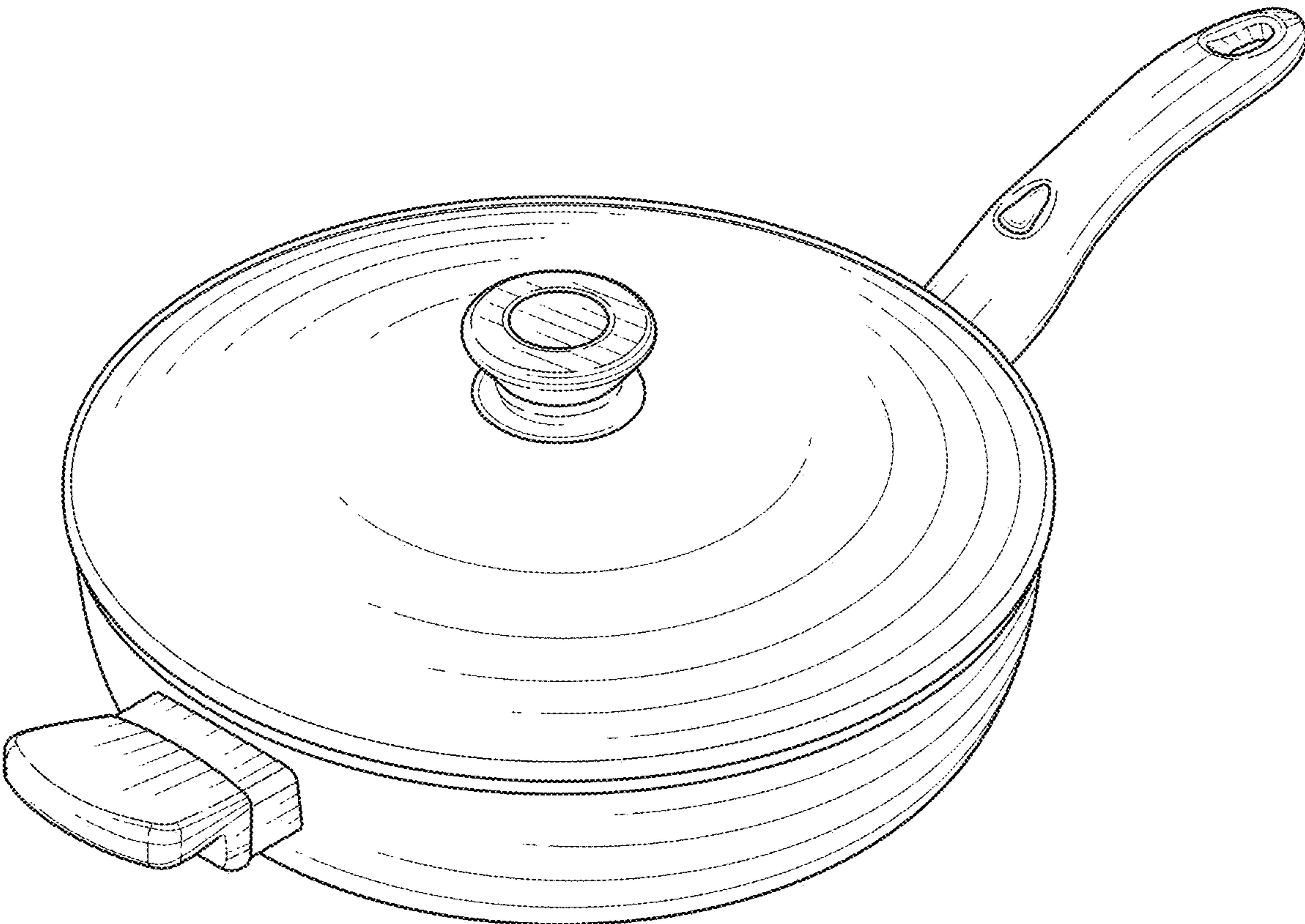


FIG. 1

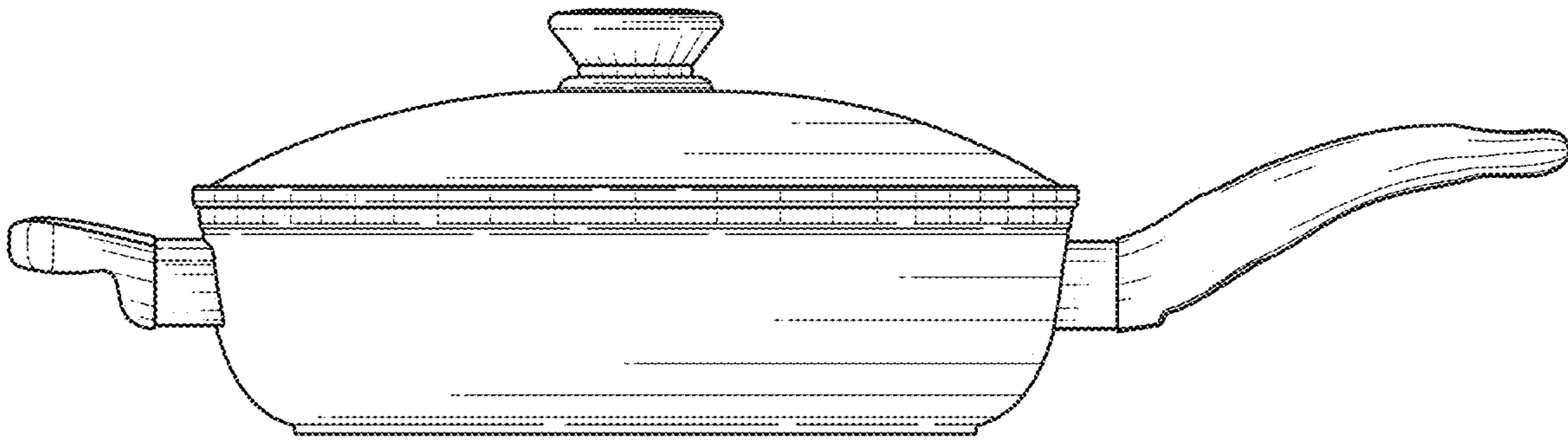


FIG. 2

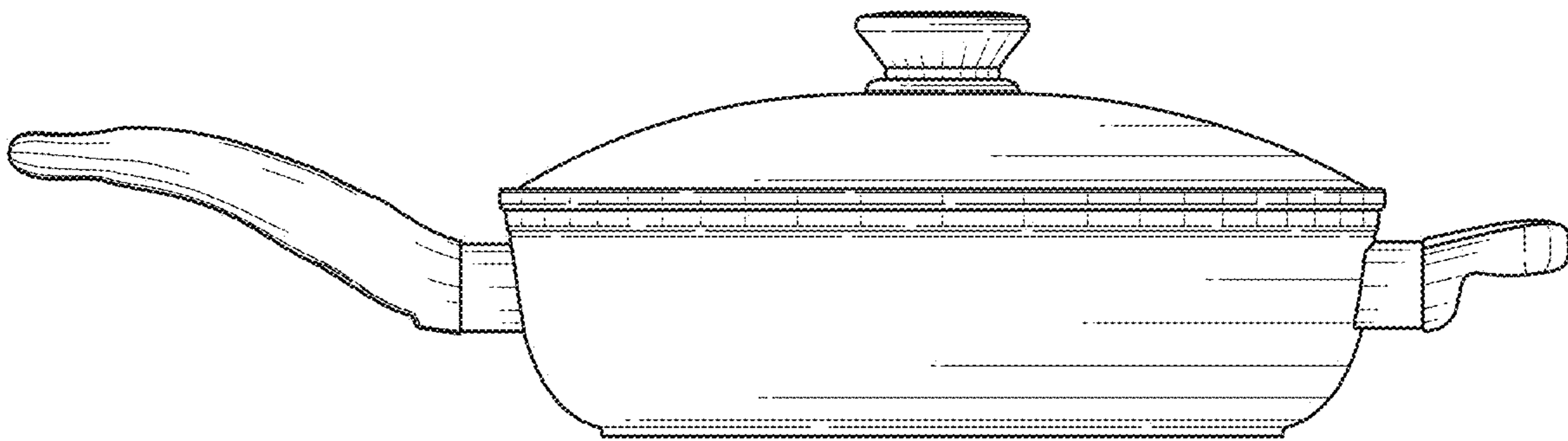


FIG. 3

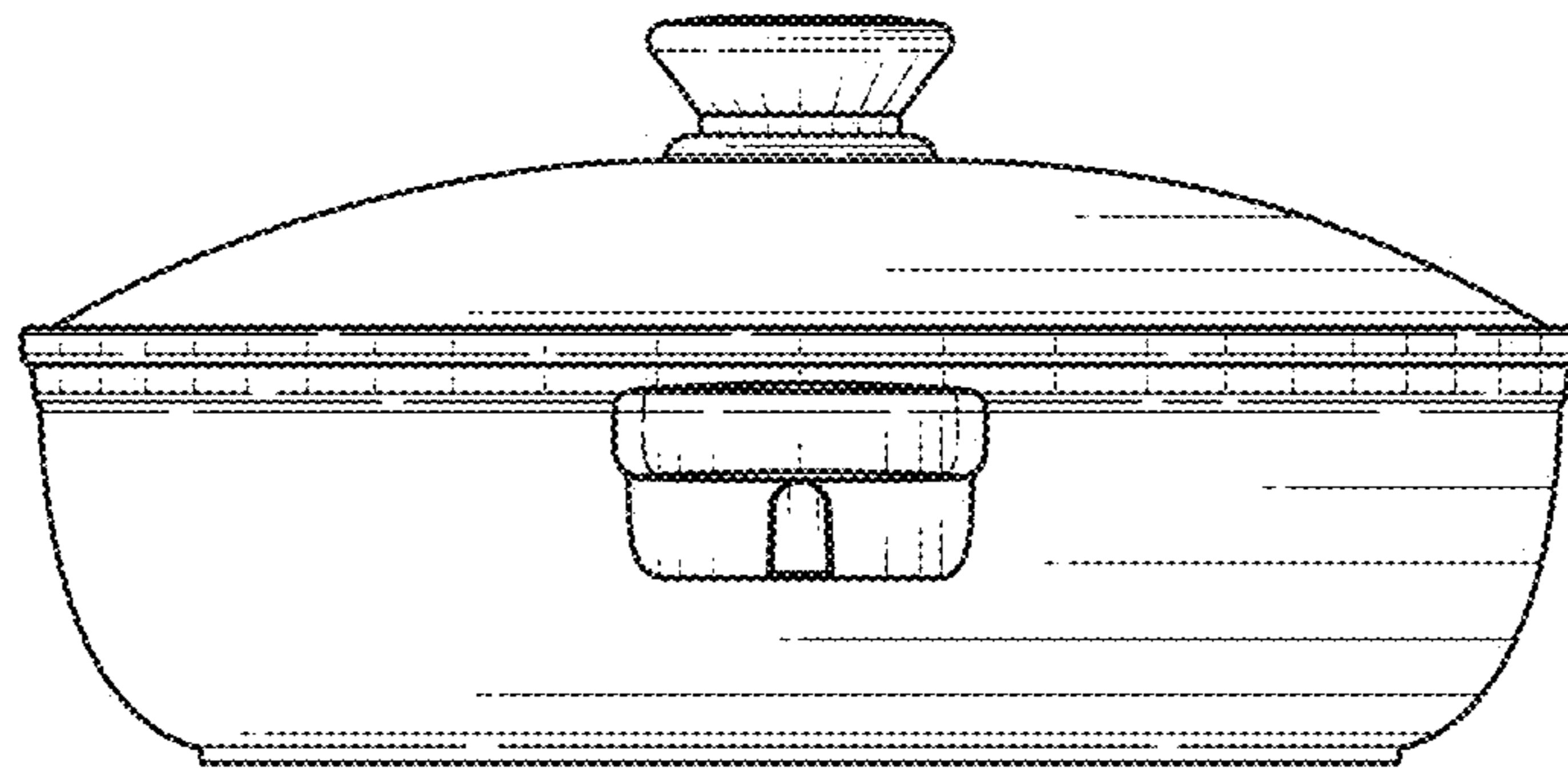


FIG. 4

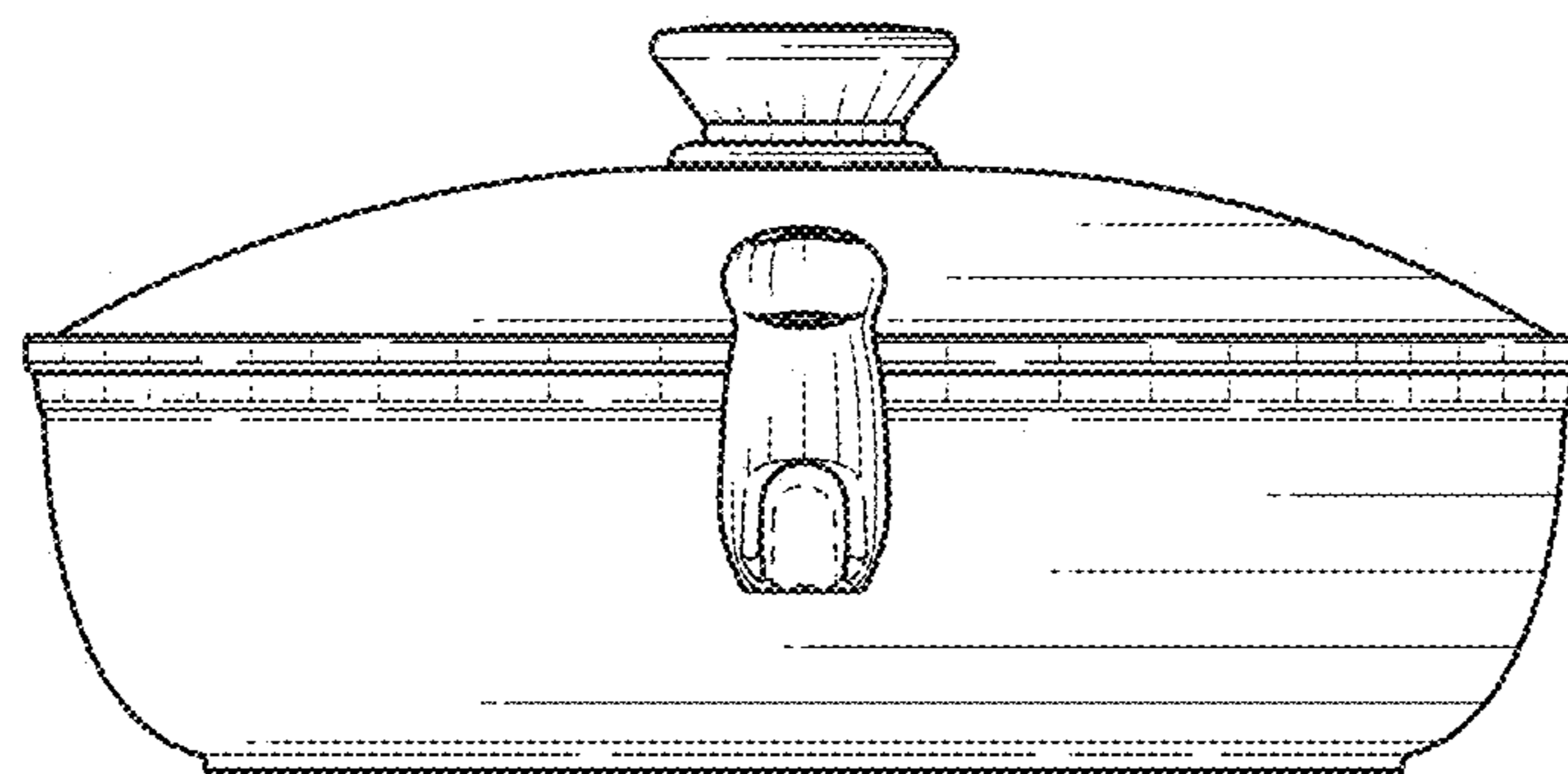


FIG. 5

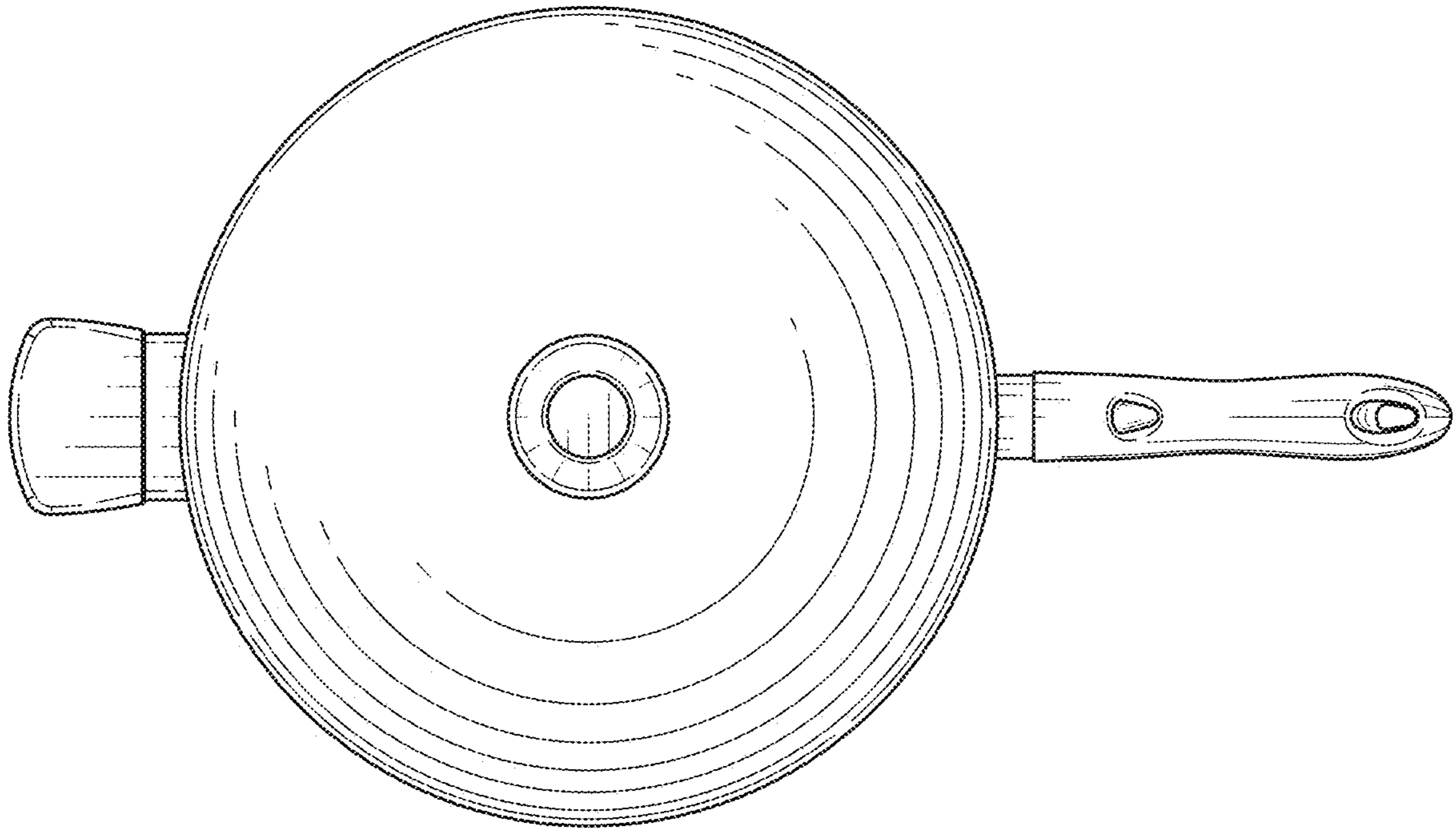


FIG. 6

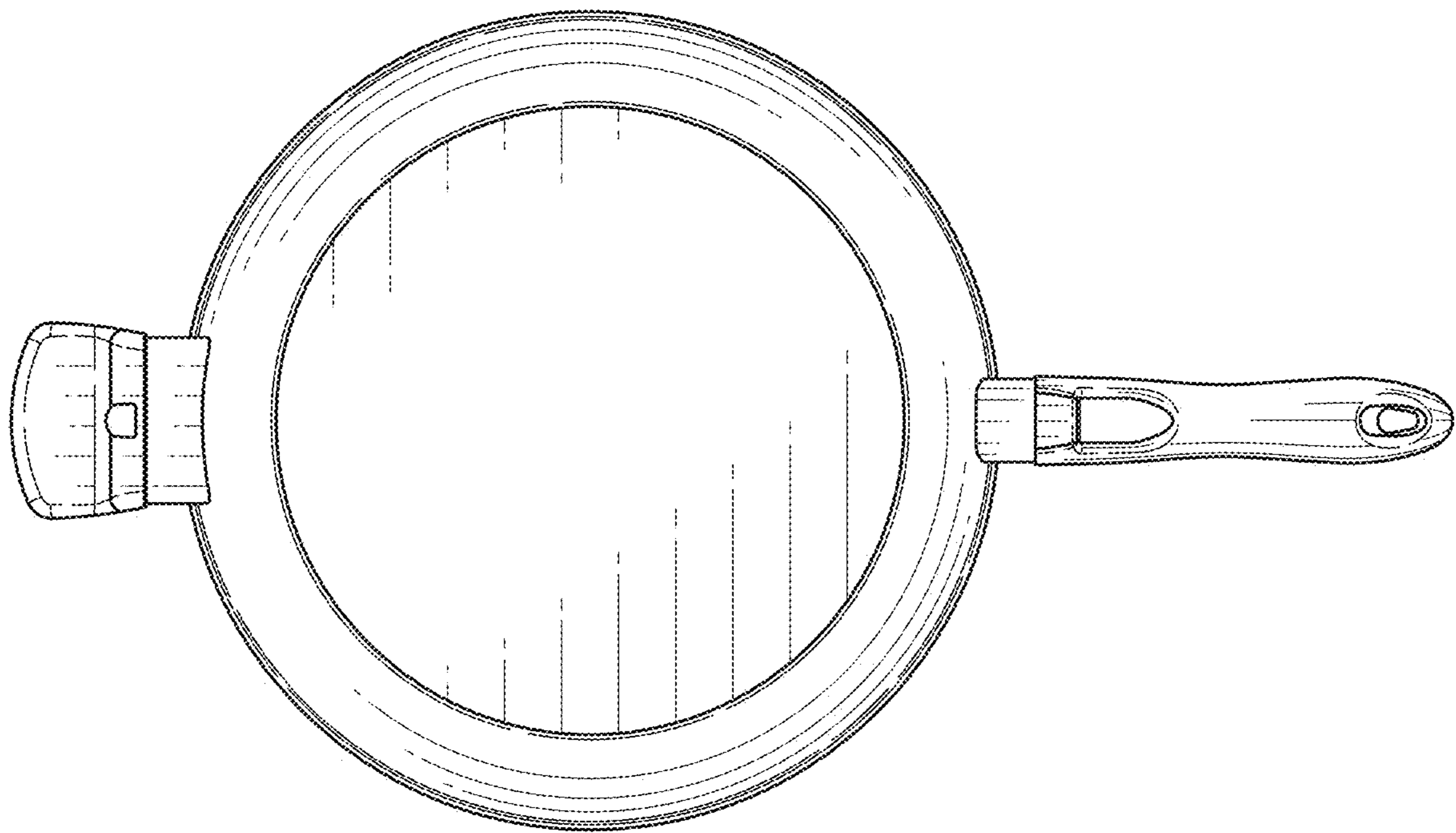


FIG. 7