



US00D922130S

(12) **United States Design Patent**
Yang

(10) **Patent No.:** **US D922,130 S**
(45) **Date of Patent:** **** Jun. 15, 2021**

(54) **POT FOR AIR FRYER**

(71) Applicant: **Dong Chan Yang**, La Habra, CA (US)

(72) Inventor: **Dong Chan Yang**, La Habra, CA (US)

(**) Term: **15 Years**

(21) Appl. No.: **29/719,953**

(22) Filed: **Jan. 8, 2020**

(51) **LOC (13) Cl.** **07-02**

(52) **U.S. Cl.**

USPC **D7/360**

(58) **Field of Classification Search**

USPC D7/323, 338, 352, 354, 355, 356, 357,
D7/358, 359, 360, 361, 362, 363, 364,
D7/365, 366, 367, 402, 407, 409

CPC .. A21B 3/00; A21B 3/13; A21B 3/131; A21B
3/132; A21B 3/135; A21B 3/136; A21B
3/137; A21B 3/15; A21B 5/00; A21B
5/02; A21B 5/04; A47J 27/00; A47J
36/00; A47J 36/02; A47J 36/06; A47J
36/16; A47J 36/24; A47J 36/022; A47J
36/027; A47J 37/00; A47J 37/01; A47J
37/04; A47J 37/06; A47J 37/10; A47J
37/07; A47J 37/0781; A47J 43/20

See application file for complete search history.

(56) **References Cited**

U.S. PATENT DOCUMENTS

- RE17,234 E * 3/1929 Katzinger A21B 3/13
249/77
- 4,395,015 A * 7/1983 Reardon A21B 3/13
220/506
- 5,026,958 A * 6/1991 Palacios A47J 36/022
219/732
- D373,285 S * 9/1996 Coroama D7/359
- D391,440 S * 3/1998 Cousins D7/360

(Continued)

FOREIGN PATENT DOCUMENTS

- JP 2007044305 A * 2/2007
- KR 30-1036068 S 12/2019

OTHER PUBLICATIONS

WaveLu Air Fryer Silicone Pot, announced Dec. 6, 2019 [online],
retrieved Oct. 22, 2020, retrieved from internet, <https://www.amazon.com/WaveLu-Air-Fryer-Silicone-Pot/dp/B0828BV8BP>.*

(Continued)

Primary Examiner — Dana K Weiland

Assistant Examiner — Messina L Smith

(74) *Attorney, Agent, or Firm* — Heedong Chae; Lucem,
PC

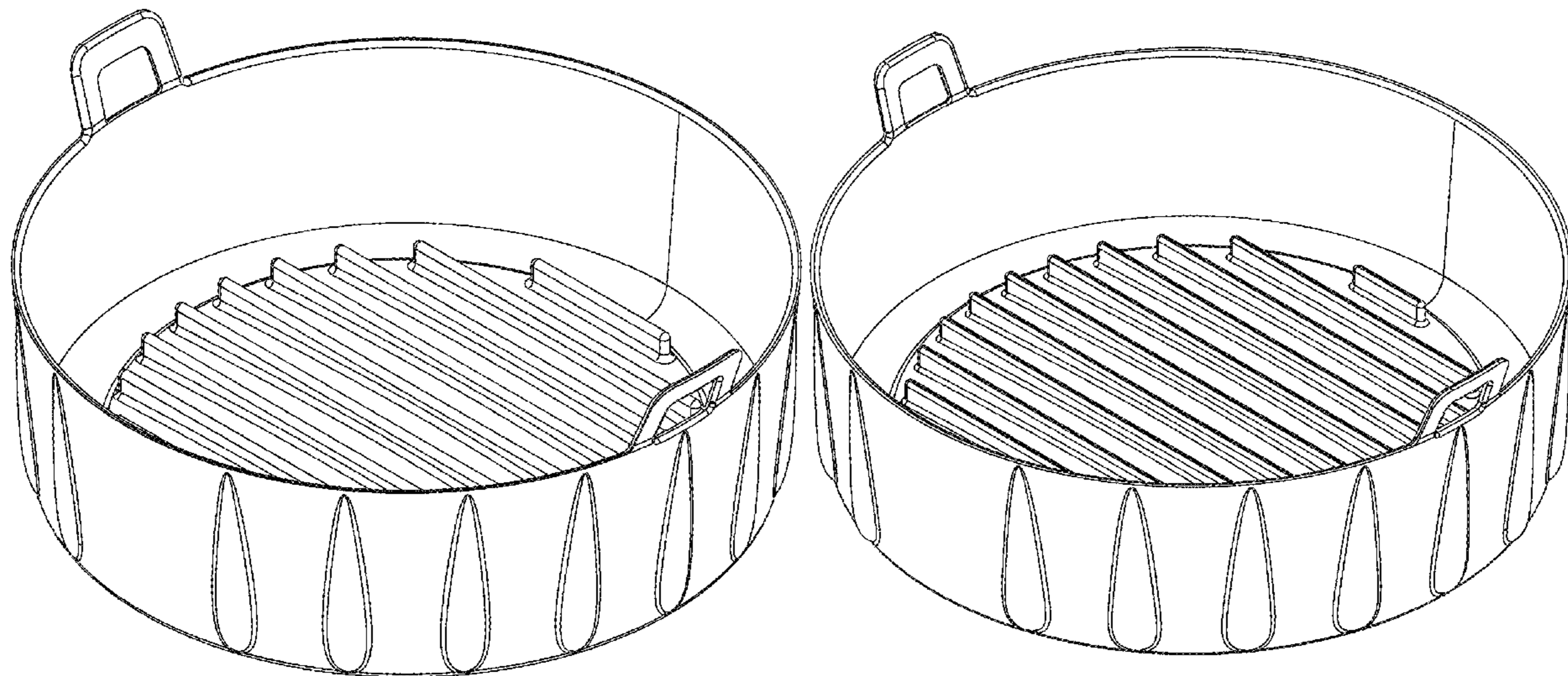
(57) **CLAIM**

The ornamental design for a pot for air fryer, as shown and
described.

DESCRIPTION

FIG. 1 is a top and front perspective view of a first
embodiment of a pot for air fryer showing my new design;
FIG. 2 is a bottom perspective view thereof;
FIG. 3 is a front elevational view thereof;
FIG. 4 is a rear elevational view thereof;
FIG. 5 is a top plan view thereof;
FIG. 6 is a bottom plan view thereof;
FIG. 7 is a left side view thereof;
FIG. 8 is a right side view thereof;
FIG. 9 is a top and front perspective view of a second
embodiment of the pot for air fryer showing my new design;
FIG. 10 is a bottom perspective view thereof;
FIG. 11 is a front elevational view thereof;
FIG. 12 is a rear elevational view thereof;
FIG. 13 is a top plan view thereof;
FIG. 14 is a bottom plan view thereof;
FIG. 15 is a left side view thereof; and,
FIG. 16 is a right side view thereof.

1 Claim, 16 Drawing Sheets



(56)

References Cited

U.S. PATENT DOCUMENTS

D458,796 S * 6/2002 Kellermann D7/360
 6,457,601 B1 * 10/2002 Chappell A47J 36/022
 220/495.03
 D507,148 S * 7/2005 Spagnolo D7/360
 D565,343 S * 4/2008 Vamvakias D7/354
 D624,354 S * 9/2010 Odeh D7/359
 D686,468 S * 7/2013 Rader D7/677
 D717,582 S * 11/2014 Shin D7/360
 D717,585 S * 11/2014 Moser D7/360
 D731,231 S * 6/2015 Steininger D7/359
 D766,646 S * 9/2016 Navare D7/359
 D778,104 S * 2/2017 Conlee D7/360
 D779,871 S * 2/2017 Zemel D7/361
 D791,528 S * 7/2017 Henry D7/359
 D801,106 S * 10/2017 Mirchandani D7/357
 D871,129 S * 12/2019 Peterson D7/360
 D871,139 S * 12/2019 Peterson D7/409

D896,029 S * 9/2020 Thompson D7/409
 2015/0122136 A1 * 5/2015 Chen A47J 37/0641
 99/427
 2017/0360257 A1 * 12/2017 Braidotti A22C 7/0046

OTHER PUBLICATIONS

Air Fryer Silicone Pot, announced Apr. 28, 2020 [online], retrieved Oct. 22, 2020, retrieved from internet, <https://www.amazon.com/Platinum-Replacement-Parchment-Accessories-Container/dp/B07ZNNFPZ6>.
 Balsang Air Fryer Silicone Pot, announced Feb. 22, 2020 [online], retrieved Oct. 22, 2020, retrieved from internet, <https://www.amazon.com/Balsang-Air-Fryer-Silicone-Pro/dp/B082SRMT8K?th=1>.
 “Balsang Air Fryer Silicone Pot (Replacement for Paper Liners, No More Harsh Cleaning Basket After Using the Air fryer, FDA Approved Food Safe Silicone Material, Patent pending Air Fryer Accessory)”, <https://www.amazon.com/dp/B07VWDFM3S>, earliest review date Sep. 3, 2019, downloaded Dec. 23, 2019.

* cited by examiner

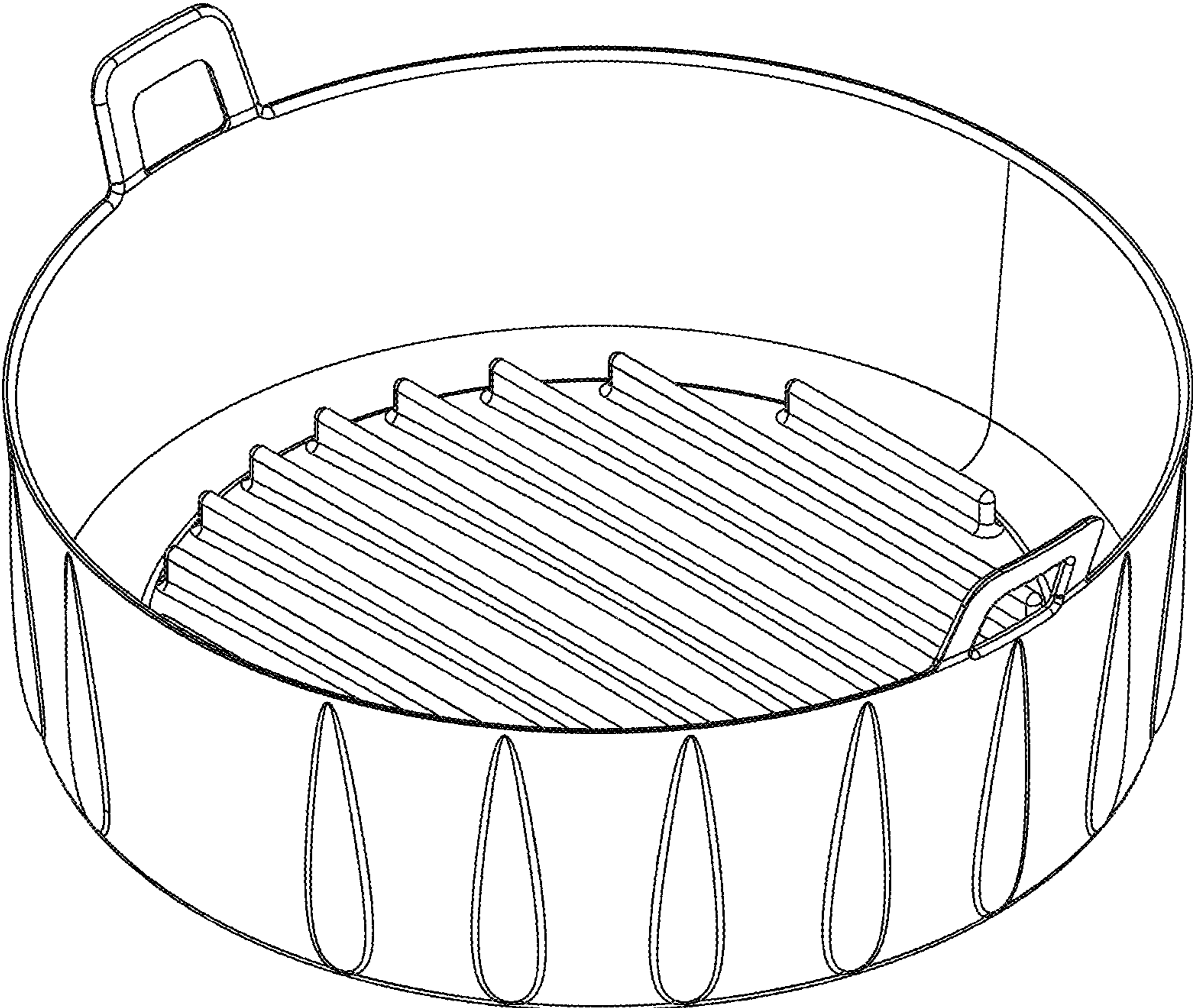


FIG. 1

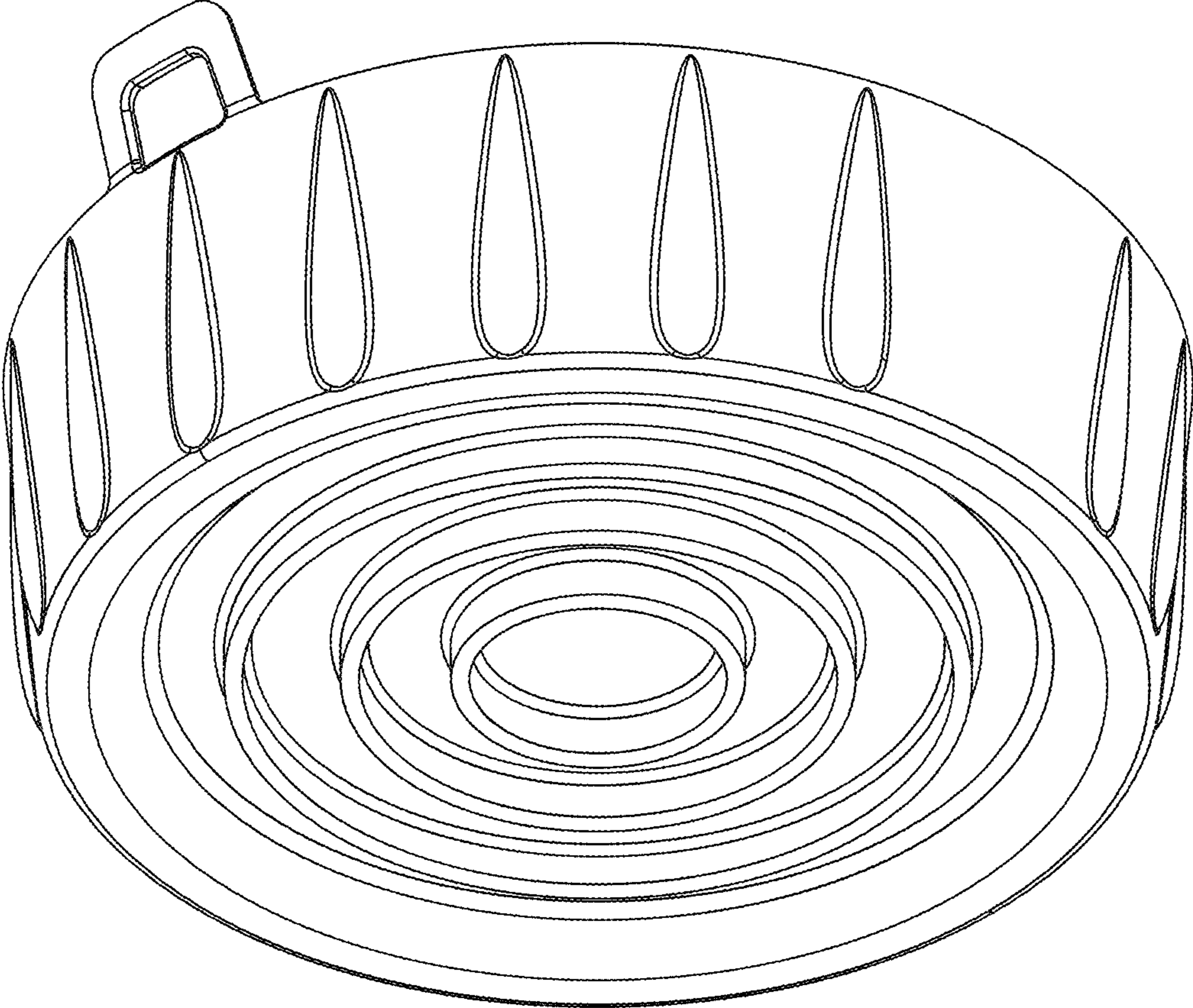


FIG. 2

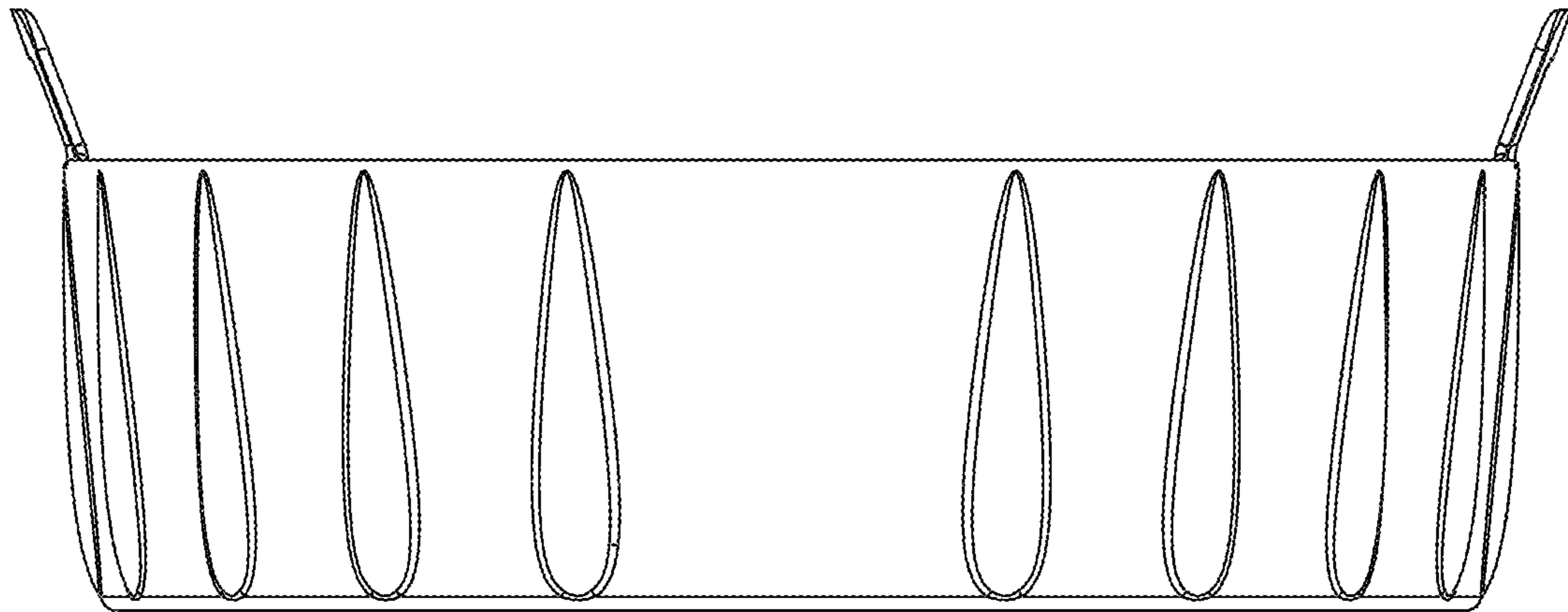


FIG. 3

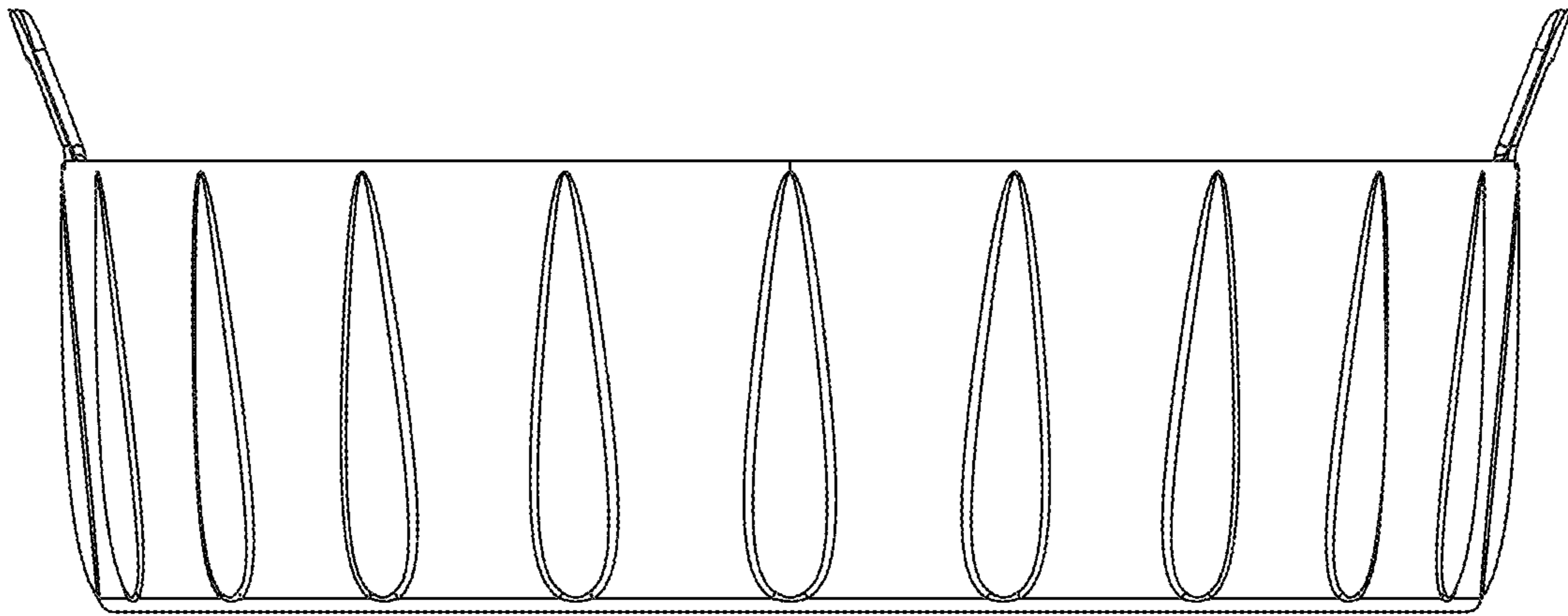


FIG. 4

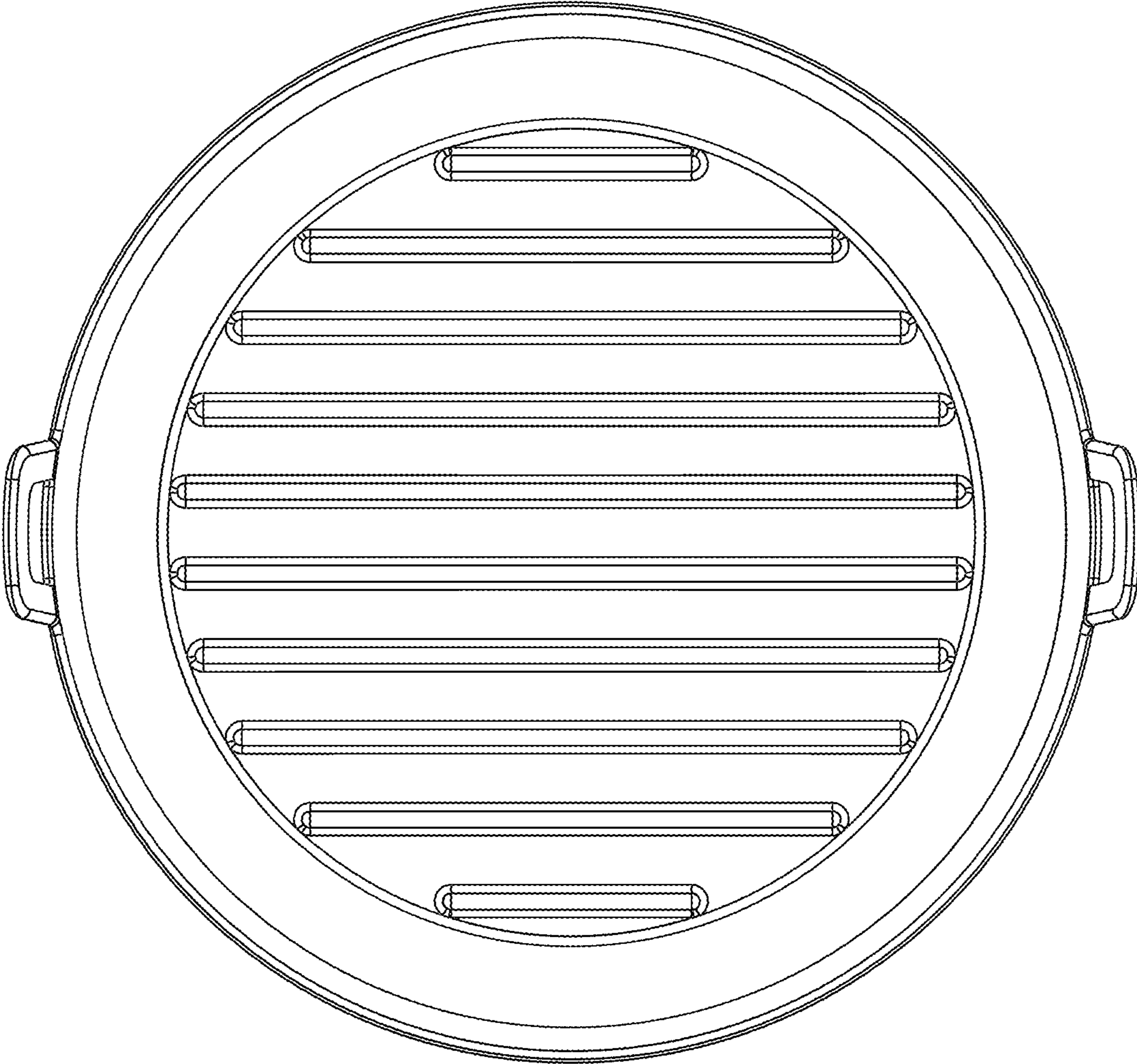


FIG. 5

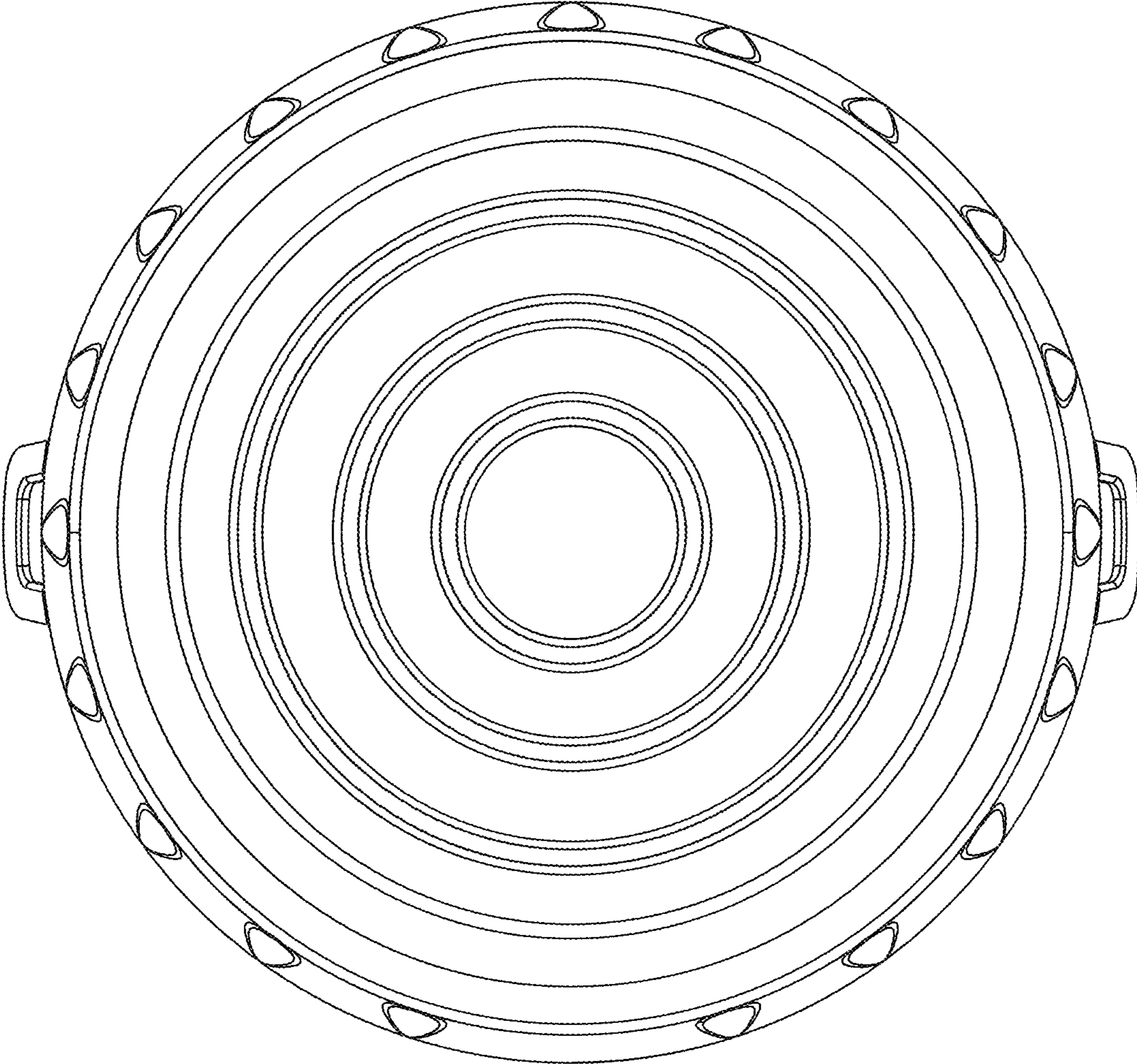


FIG. 6

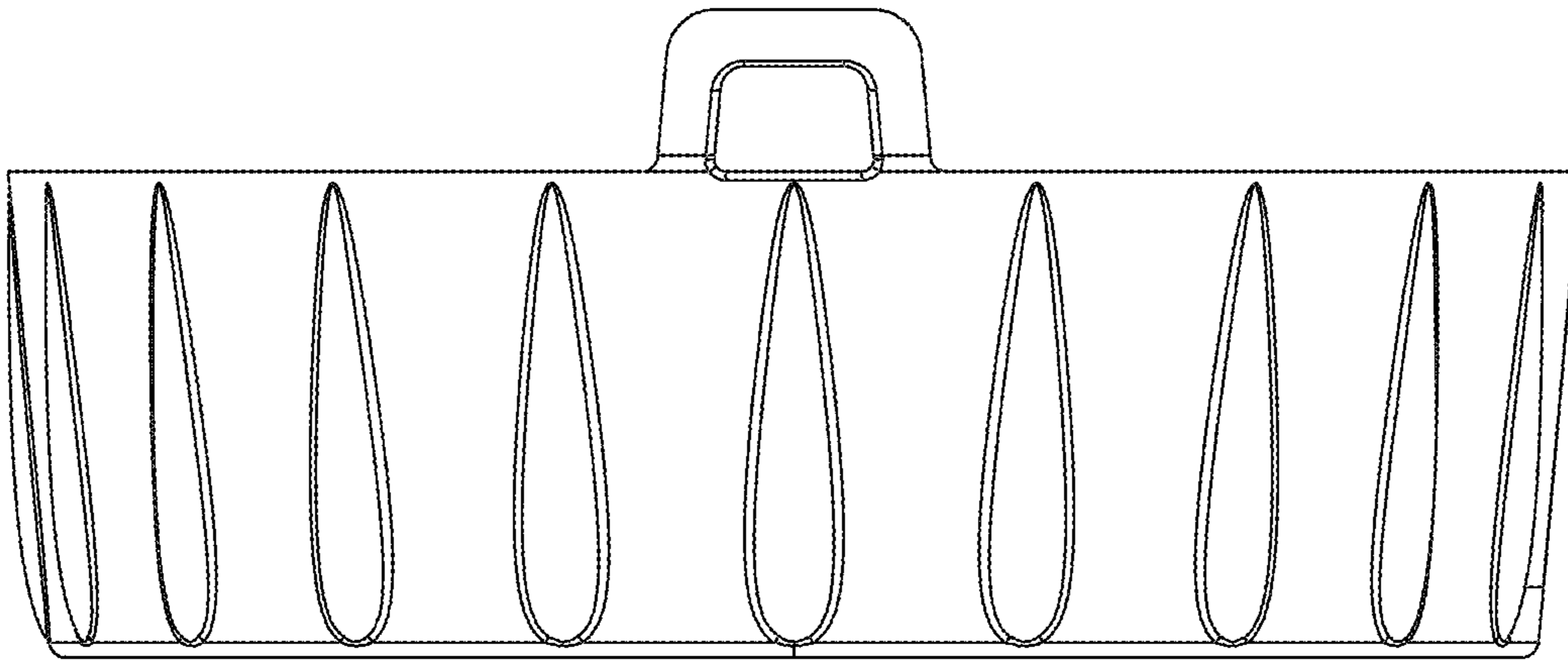


FIG. 7

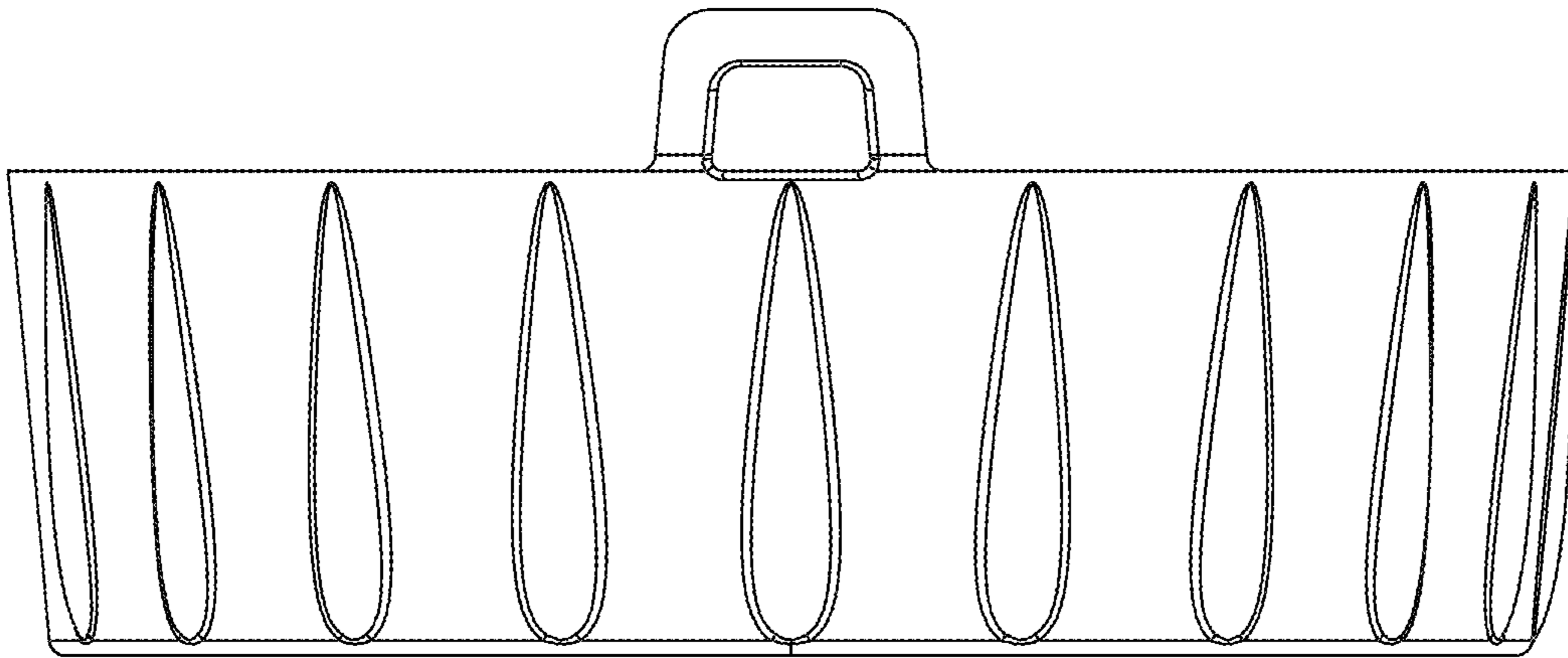


FIG. 8

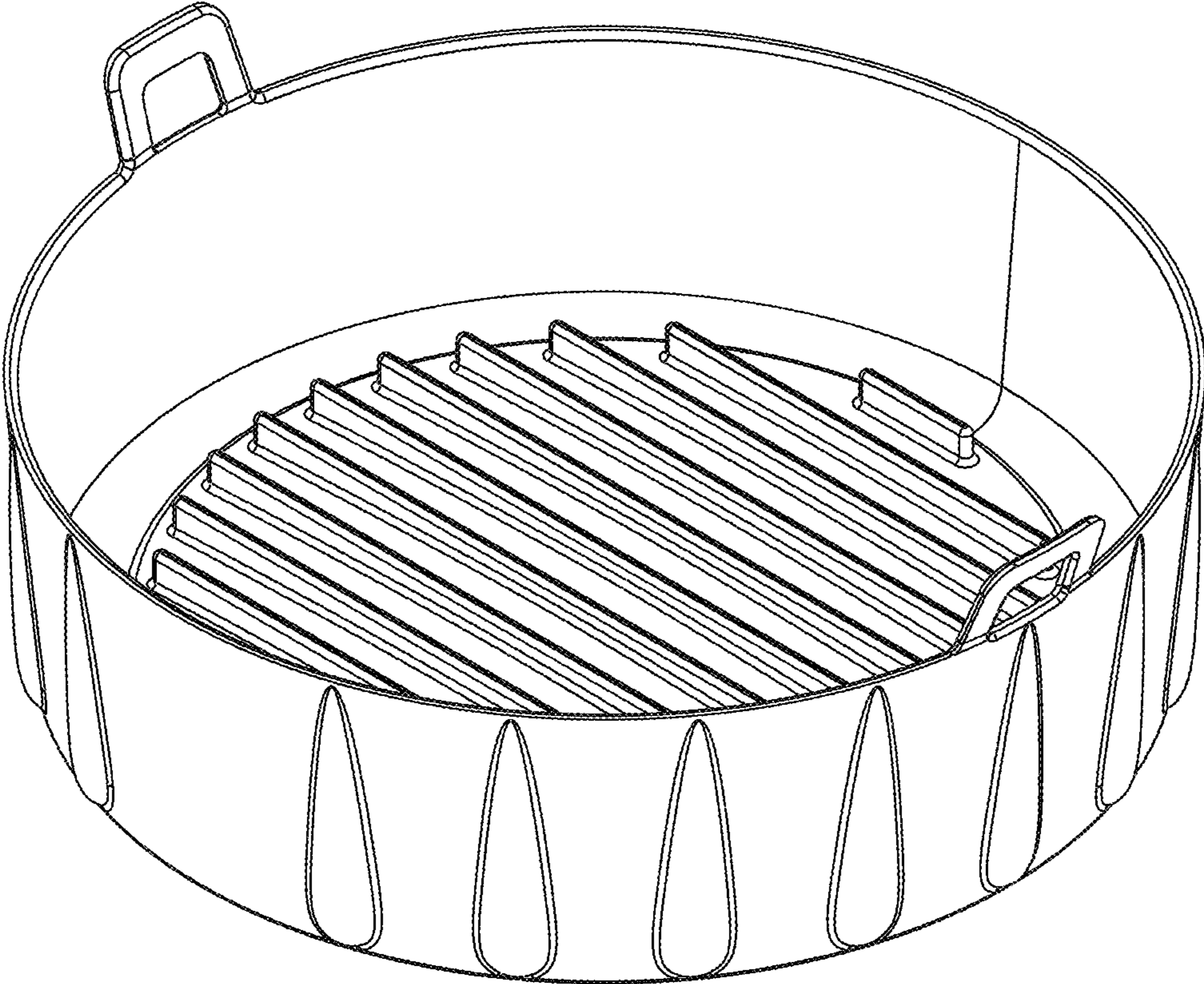


FIG. 9

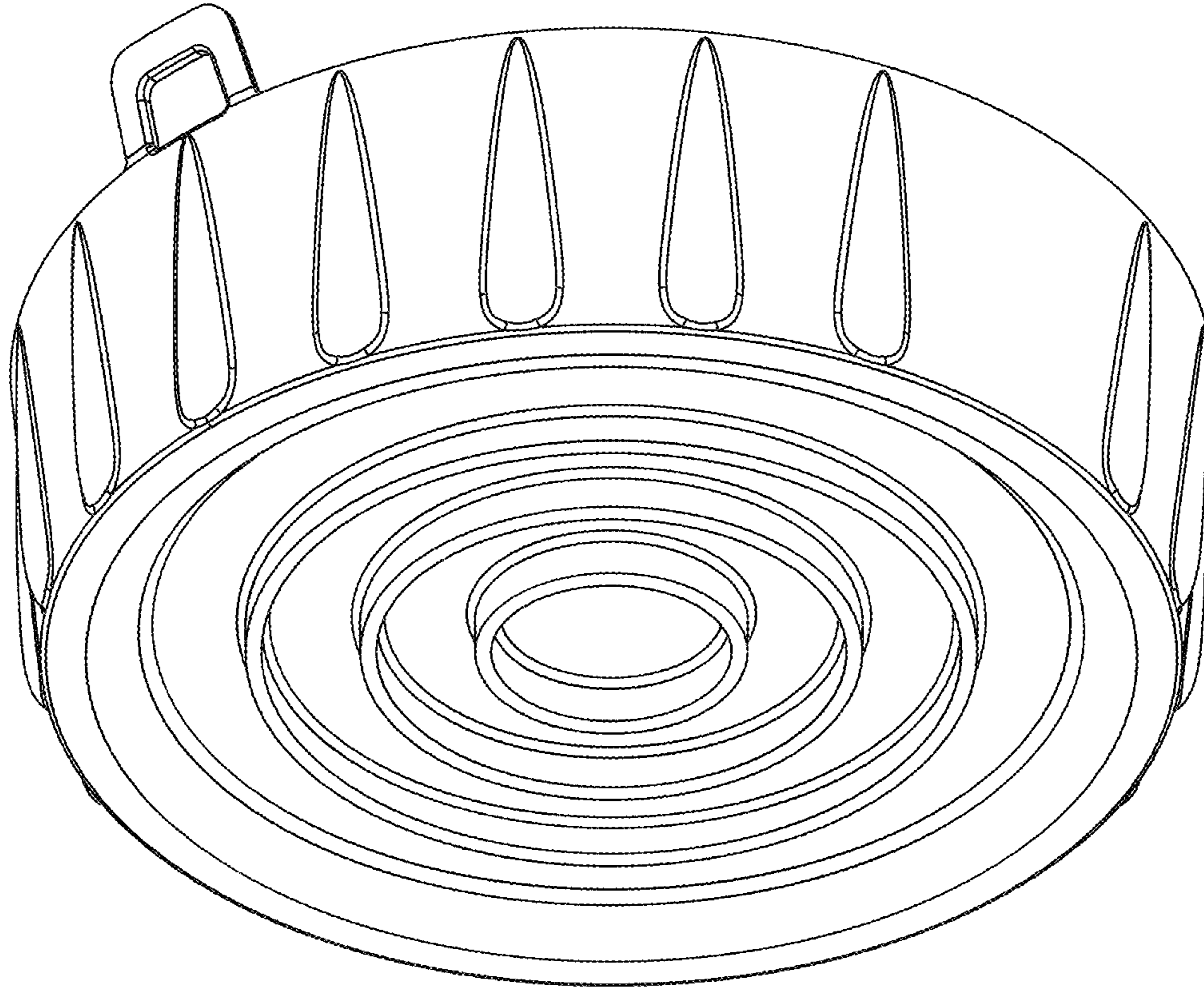


FIG. 10

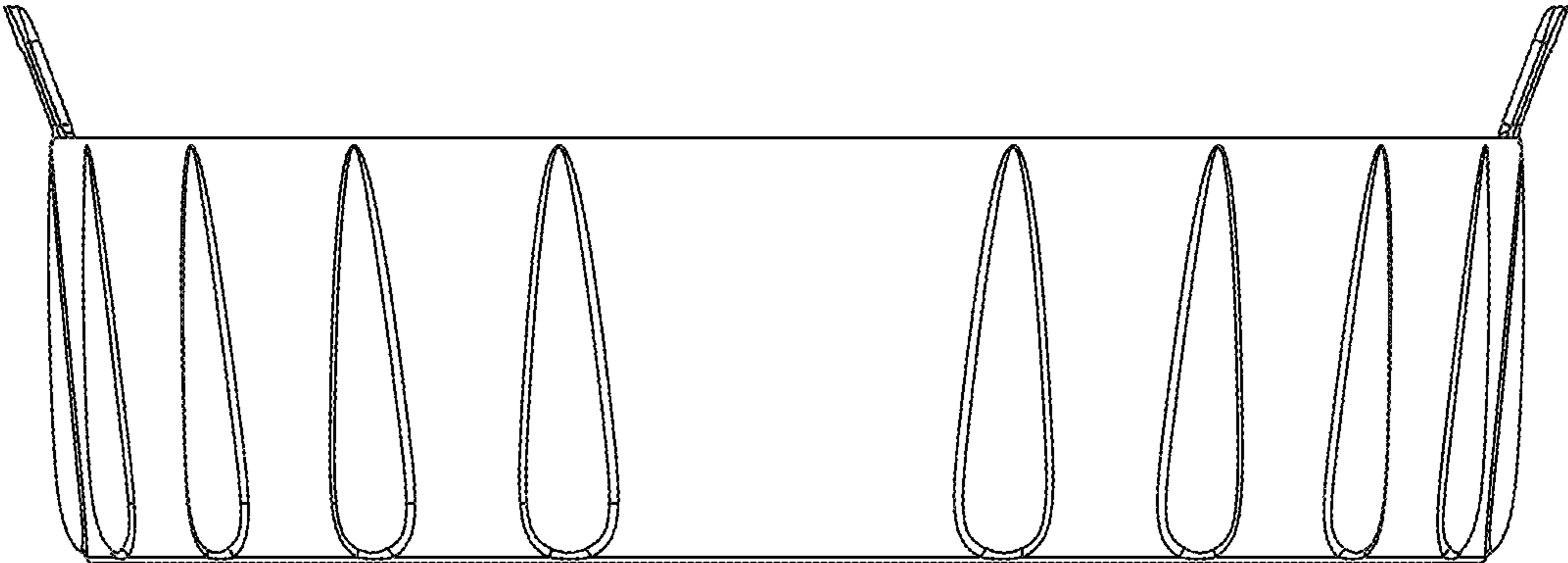


FIG. 11

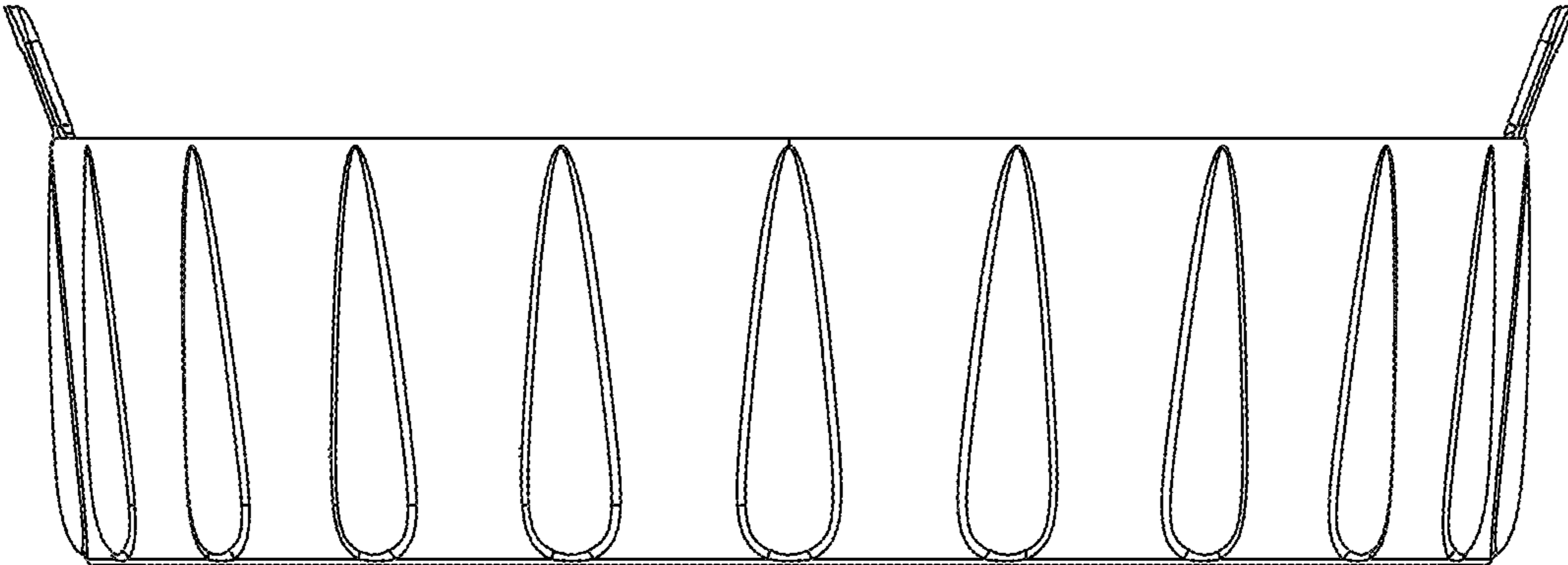


FIG. 12

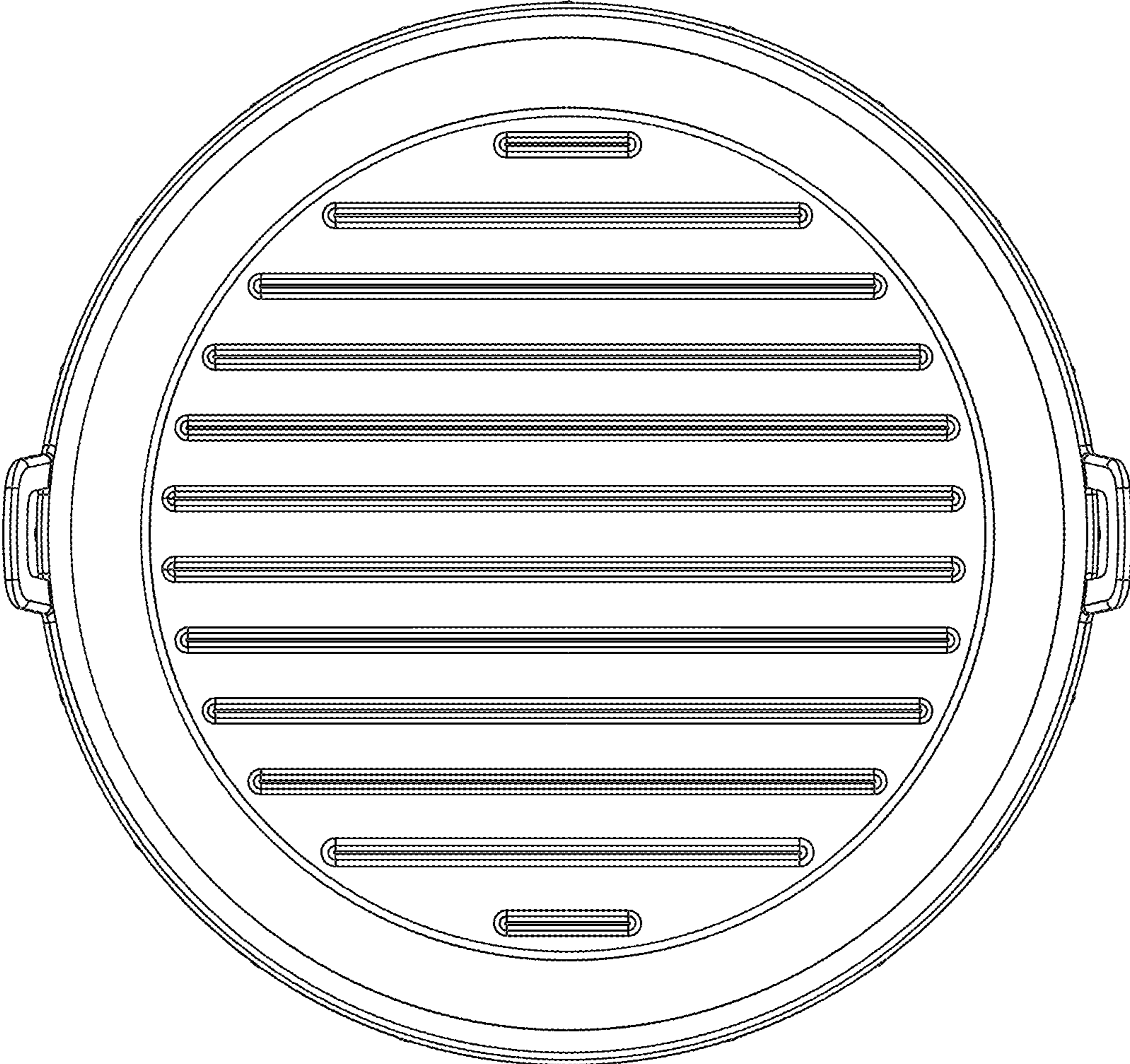


FIG. 13

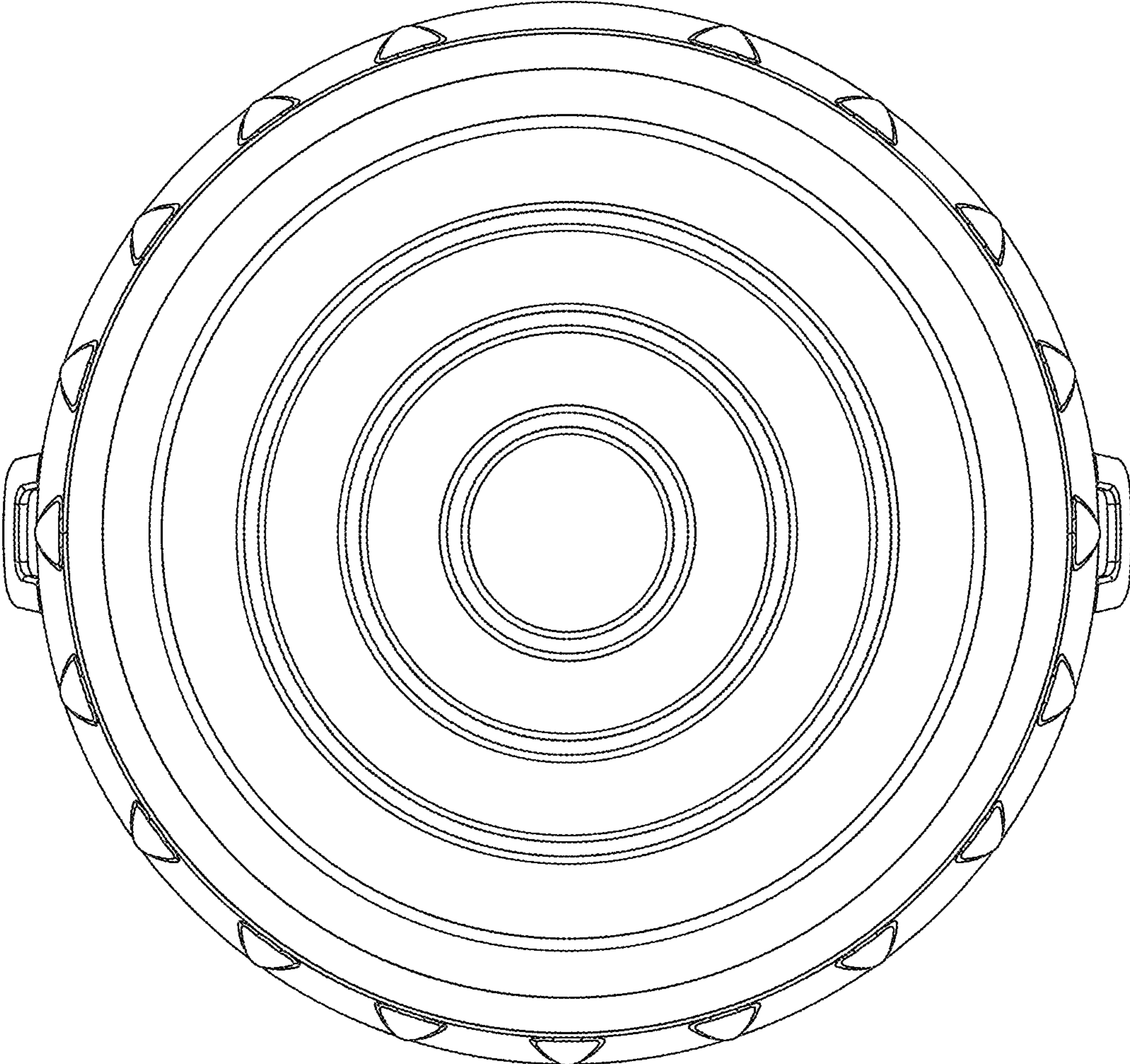


FIG. 14

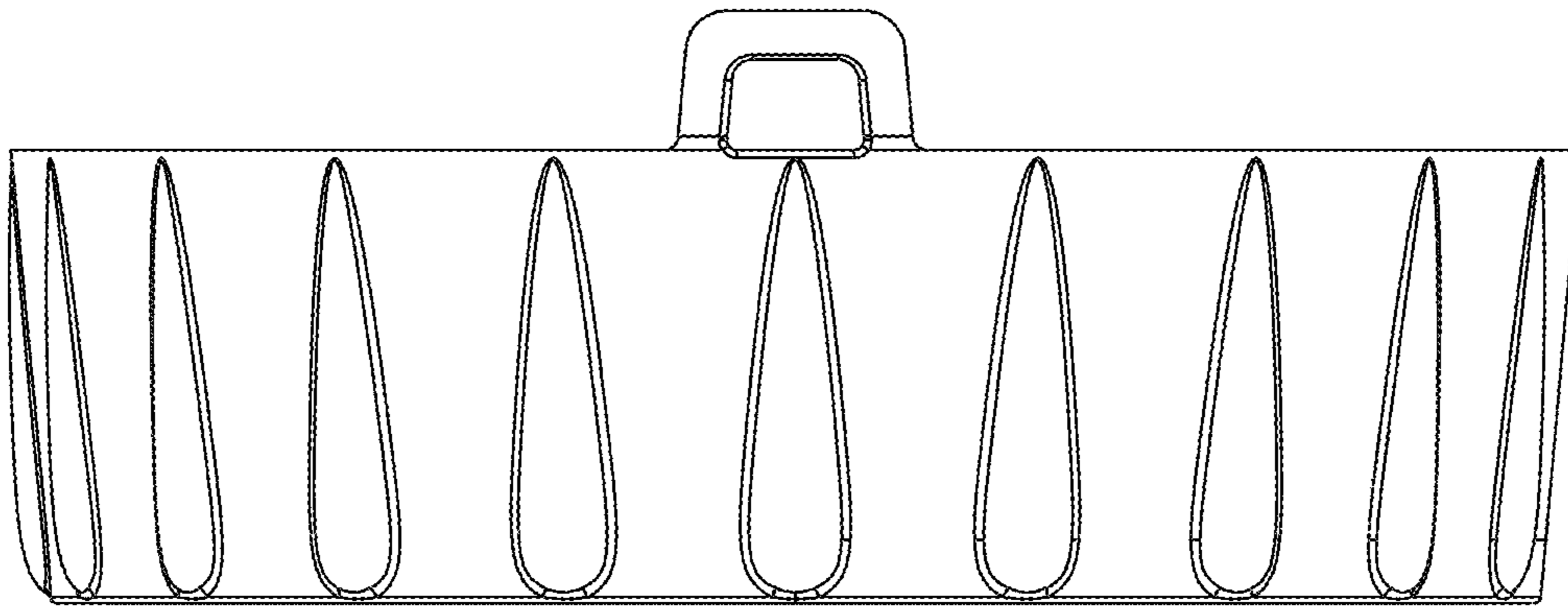


FIG. 15

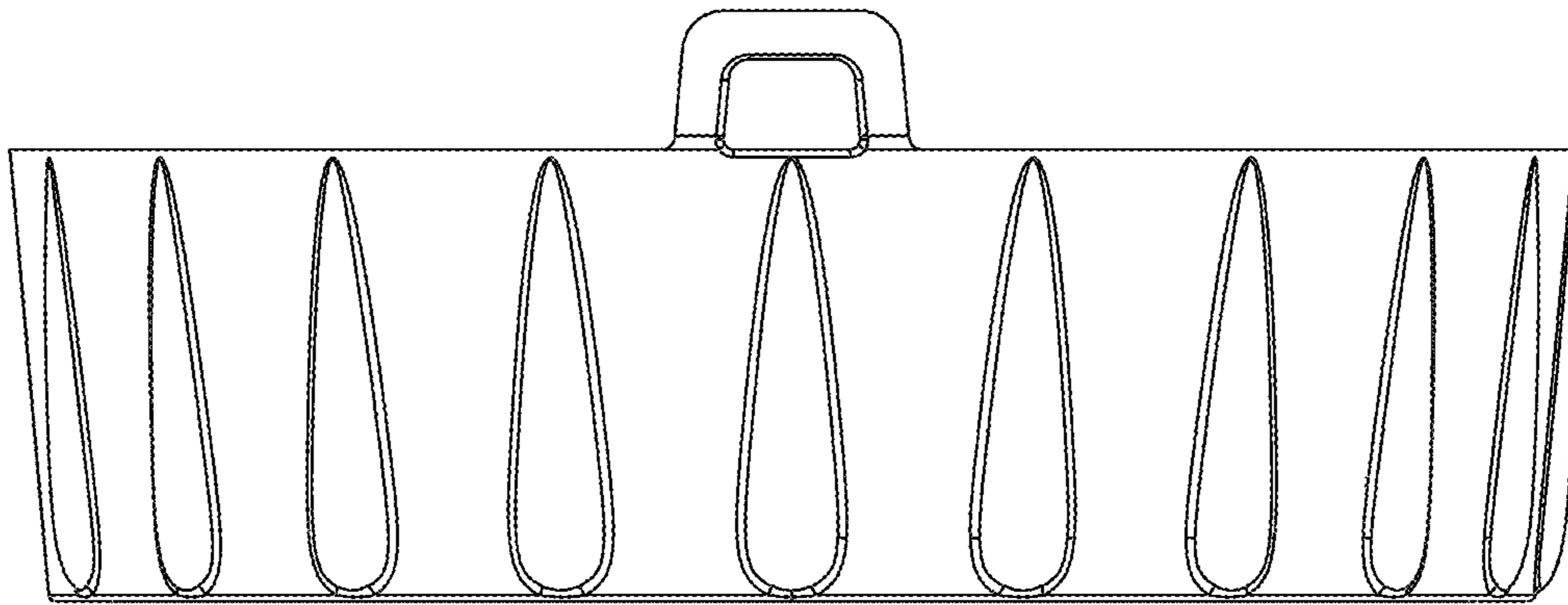


FIG. 16