



US00D922129S

(12) **United States Design Patent**  
**Li**

(10) **Patent No.:** **US D922,129 S**  
(45) **Date of Patent:** **\*\* Jun. 15, 2021**

- (54) **SILICONE TRAY**
- (71) Applicant: **Shenzhen Xiaomo Technology Co., Ltd.**, Shenzhen (CN)
- (72) Inventor: **Lunqiang Li**, Shenzhen (CN)
- (\*\*) Term: **15 Years**
- (21) Appl. No.: **29/768,740**
- (22) Filed: **Feb. 1, 2021**
- (51) **LOC (13) Cl.** ..... **07-02**
- (52) **U.S. Cl.**  
USPC ..... **D7/357**; D7/354
- (58) **Field of Classification Search**  
USPC ..... D3/304, 313; D7/323, 354–361, 409, D7/541, 543, 545–546, 549, 550.1, D7/553.1–553.8, 554.1–554.4, 555, 584, D7/586, 602; D9/425, 430–433, D9/455–456, 737, 756–762; D32/55  
CPC .... A21B 3/00; A21B 3/13; A21B 3/15; A21B 3/134; A21B 3/139; A21B 5/00; A21B 5/02; A47J 36/022; A47J 36/025; A47J 36/027; A47J 37/00; A47J 37/04; B65D 1/22; B65D 1/24; B65D 1/34; B65D 1/36; B65D 77/0433; B65D 81/343; B65D 85/36  
See application file for complete search history.

- D778,155 S 2/2017 Strachan
- D778,722 S 2/2017 Strachan
- D785,466 S \* 5/2017 Son ..... D9/760
- D792,211 S 7/2017 Foster et al.
- D848,151 S 5/2019 Greenwood
- D871,234 S \* 12/2019 Grove ..... D9/761
- D891,273 S \* 7/2020 Atalay ..... D9/759
- D897,847 S \* 10/2020 Glassman ..... D9/456
- D913,045 S \* 3/2021 Samartgis ..... D7/602

**OTHER PUBLICATIONS**

Souper Cubes 1-Cup Extra-Large Silicone Freezing Tray with Lid.  
Date First Available Aug. 23, 2018 <https://www.amazon.com/dp/B07GSSSTY9/ref> (Year: 2018).\*

\* cited by examiner

*Primary Examiner* — Ricky Pham  
(74) *Attorney, Agent, or Firm* — Rumit Ranjit Kanakia

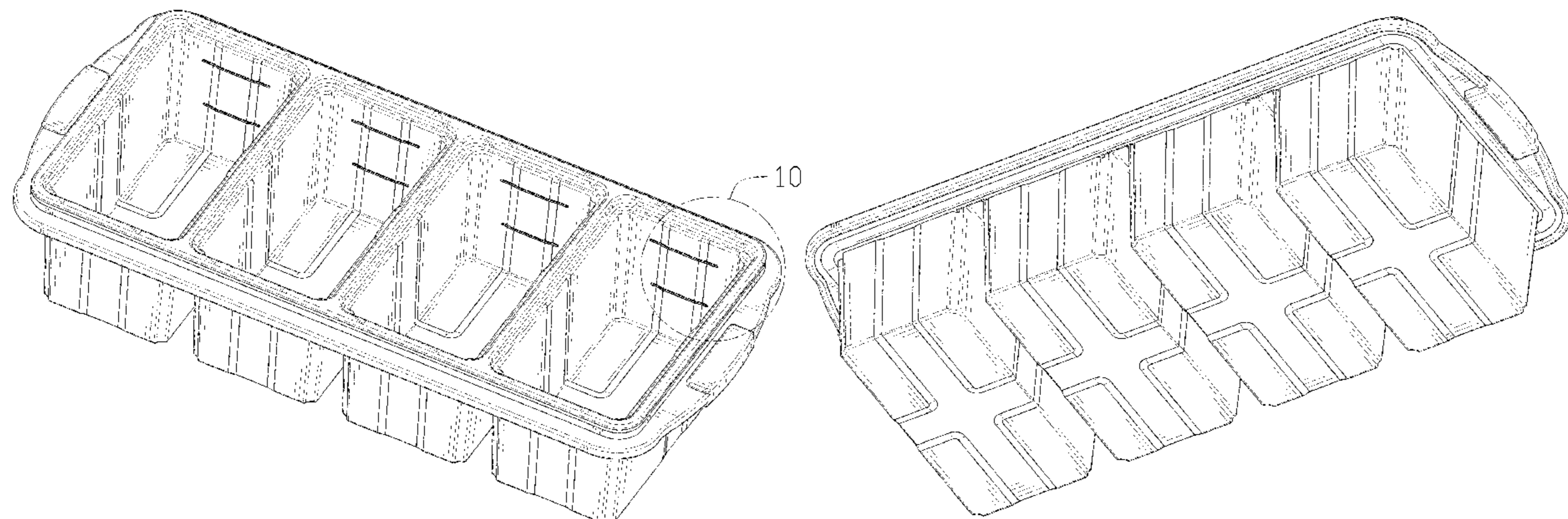
(57) **CLAIM**

I claim the ornamental design for a silicone tray, as shown and described.

**DESCRIPTION**

FIG. 1 is a Perspective view of a silicone baking tray showing my new design;  
FIG. 2 is a Bottom Perspective view thereof;  
FIG. 3 is a Front view thereof;  
FIG. 4 is a Back view thereof;  
FIG. 5 is a Right-side view thereof;  
FIG. 6 is a Left-side view thereof;  
FIG. 7 is a Top view thereof;  
FIG. 8 is a Bottom view thereof;  
FIG. 9 is a Perspective view of a silicon tray showing with Lid; and,  
FIG. 10 is a Perspective view of a silicon tray showing in Zoom position.  
The broken lines in the drawings depict portions of the silicone tray that form no part of the claimed design.

**1 Claim, 10 Drawing Sheets**



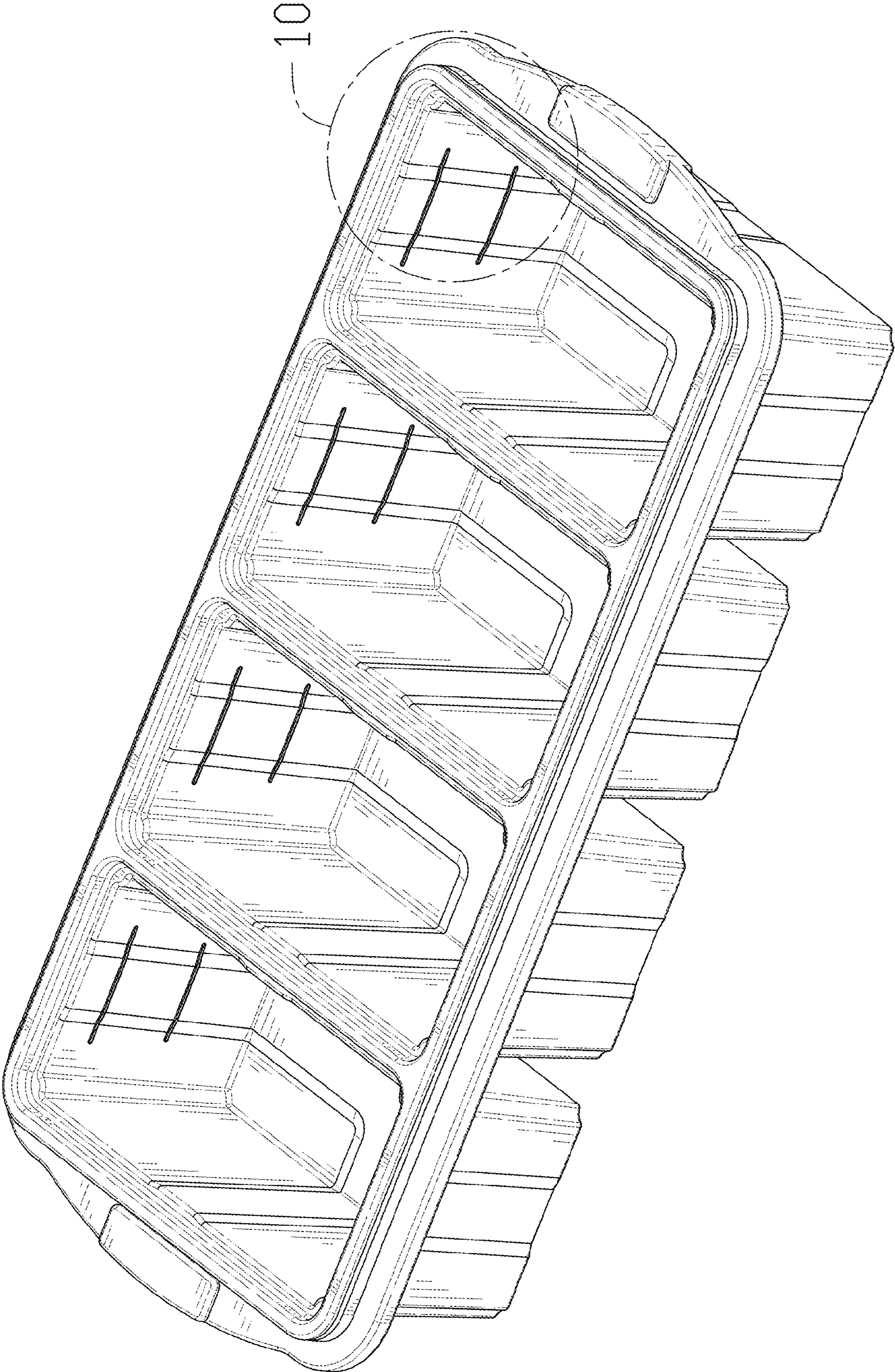


FIG. 1

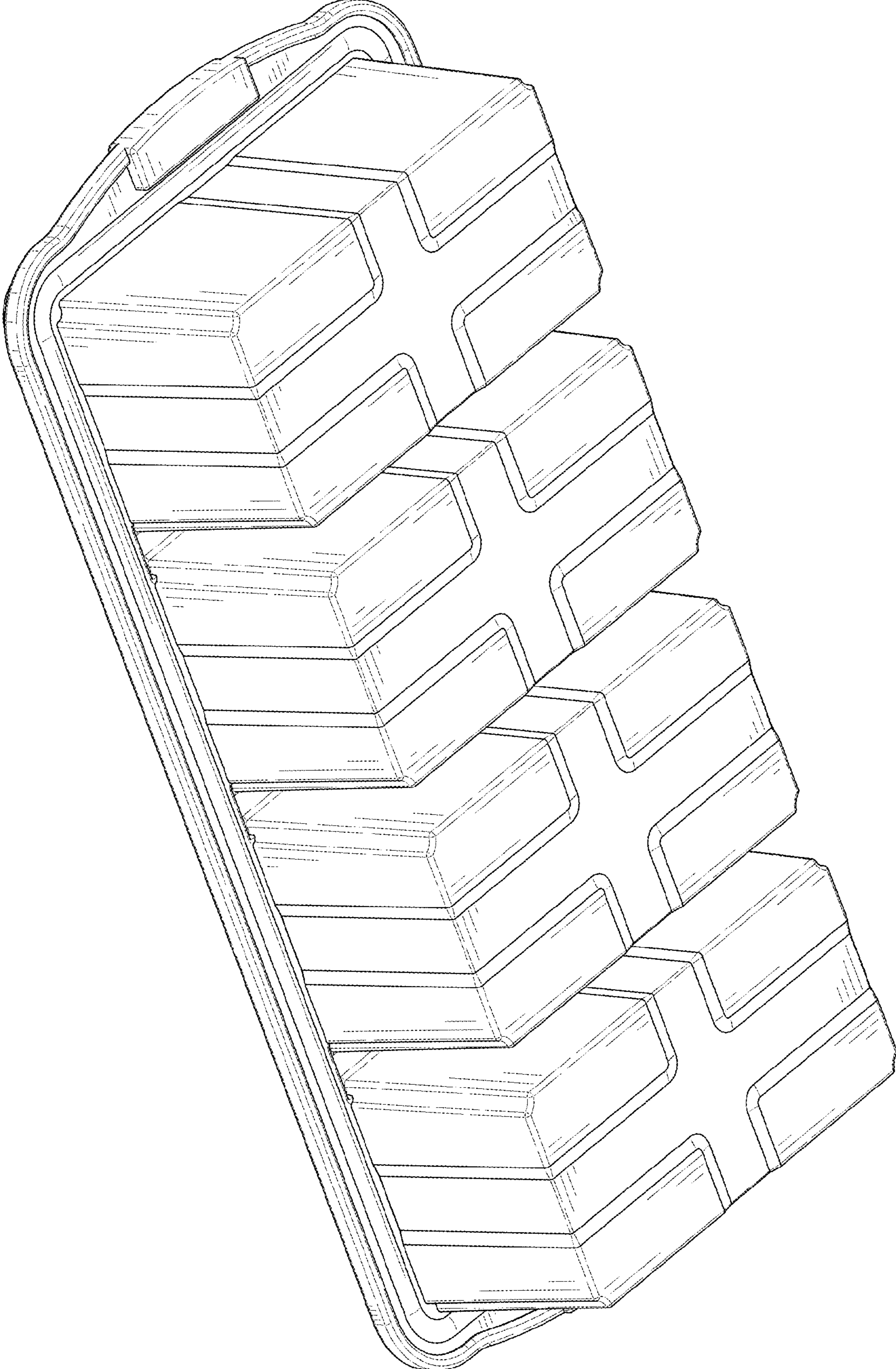


FIG. 2

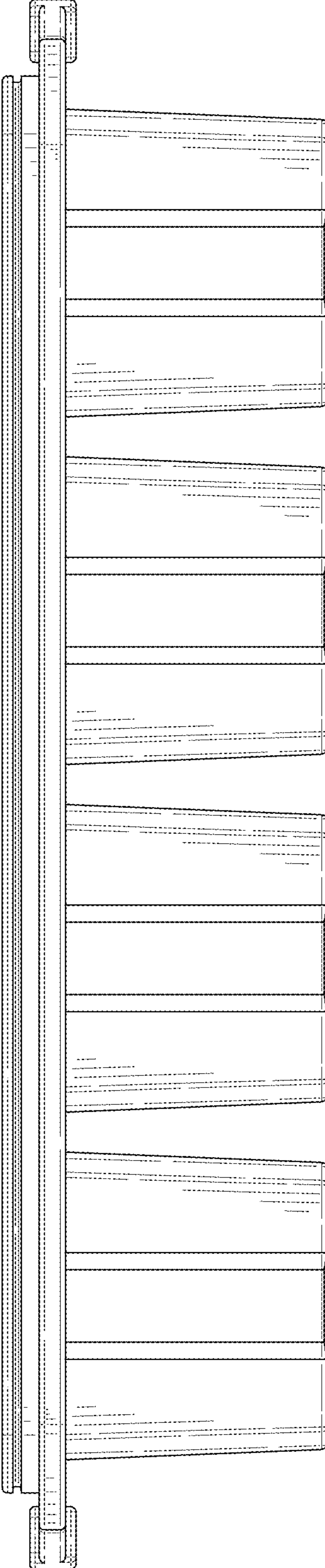


FIG. 3

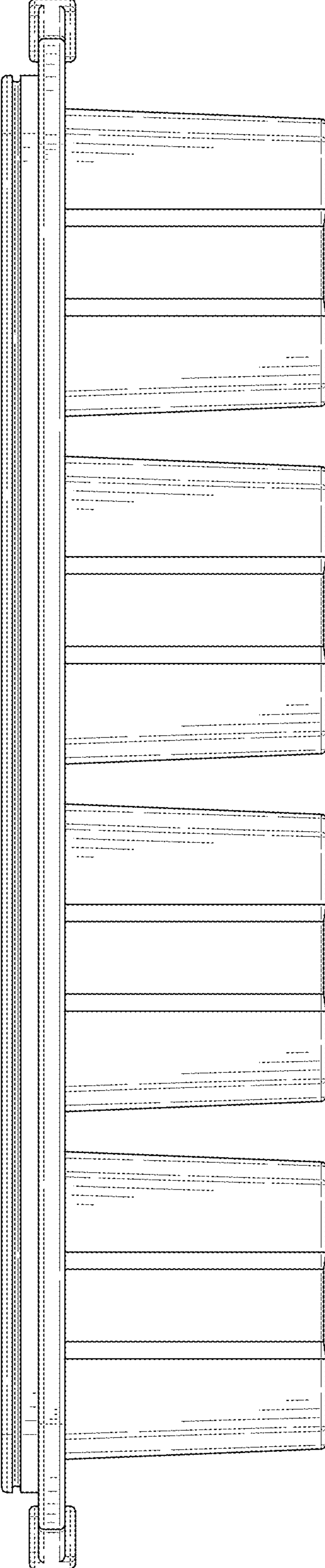


FIG. 4

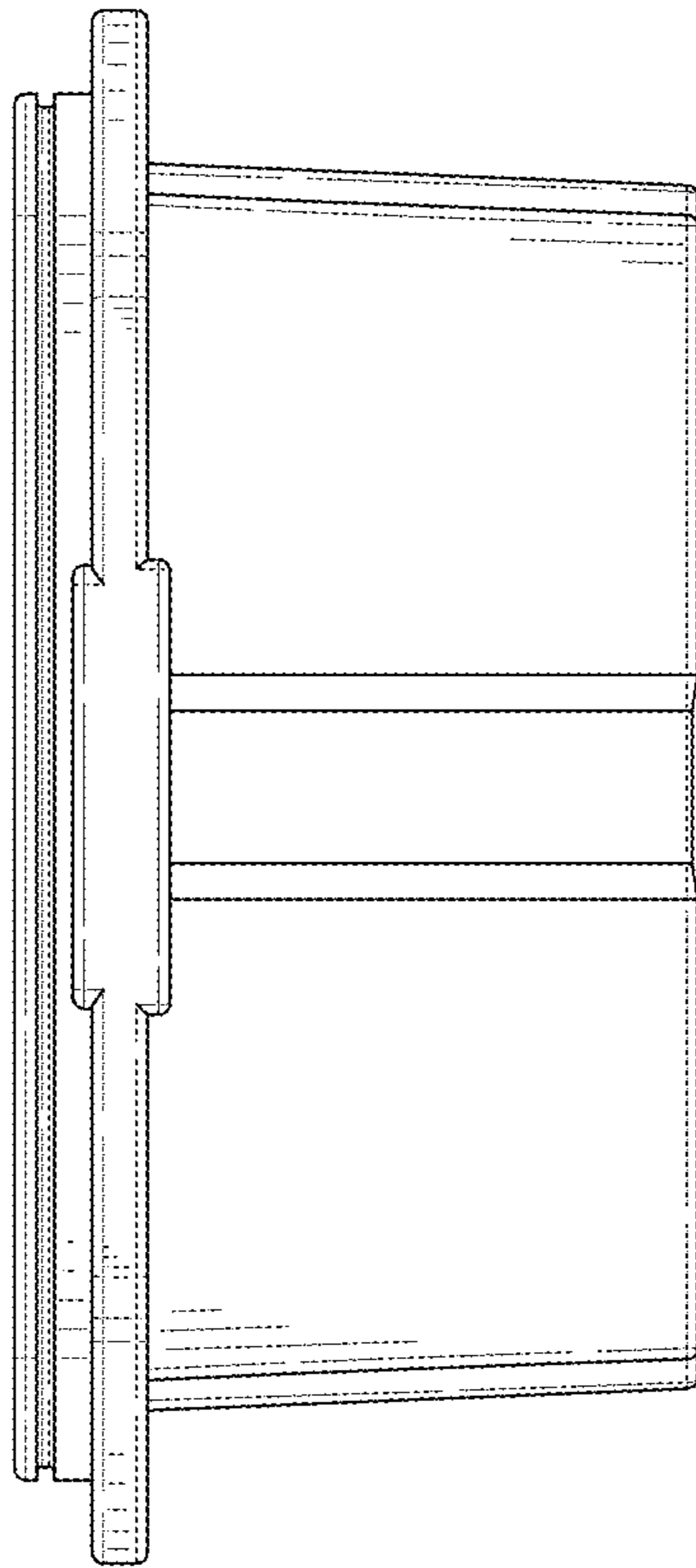


FIG. 5

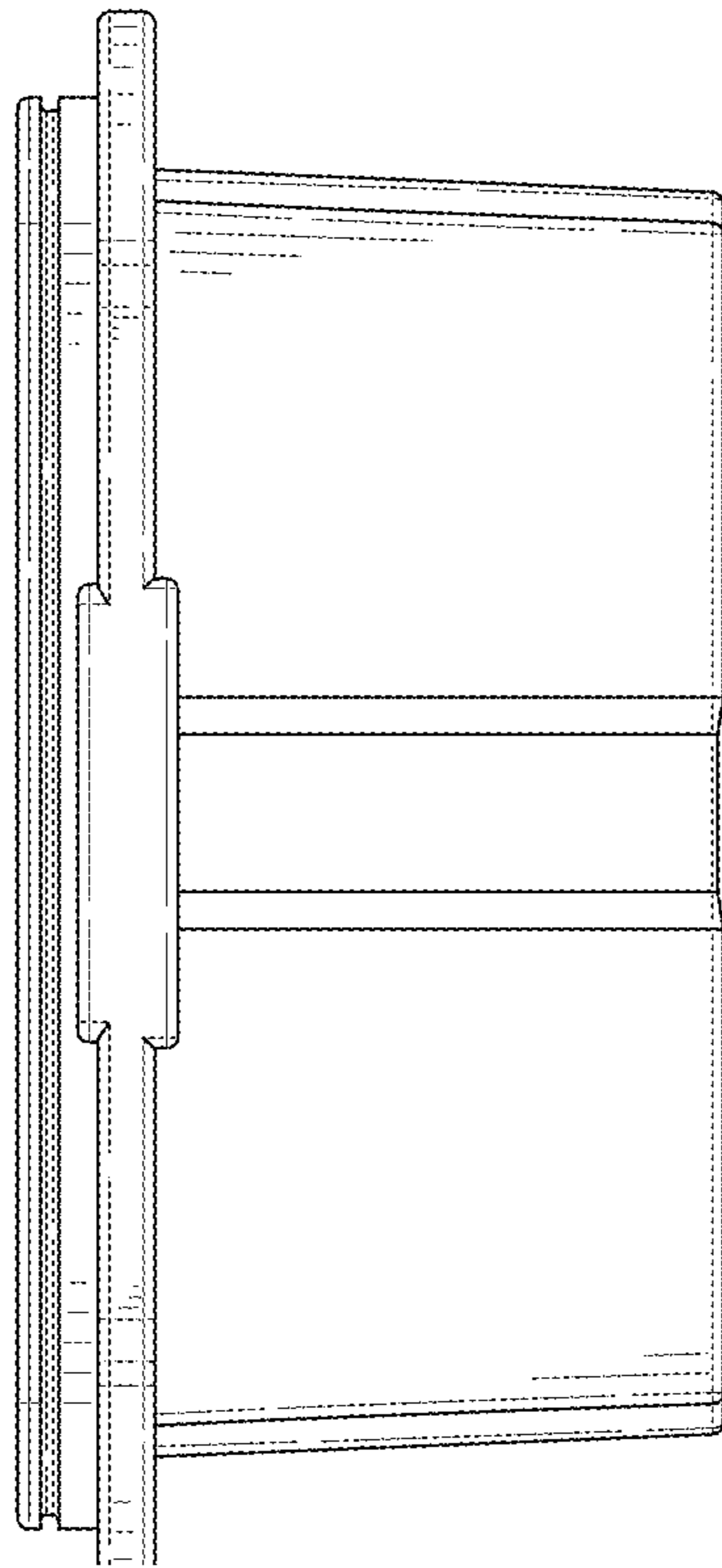


FIG. 6

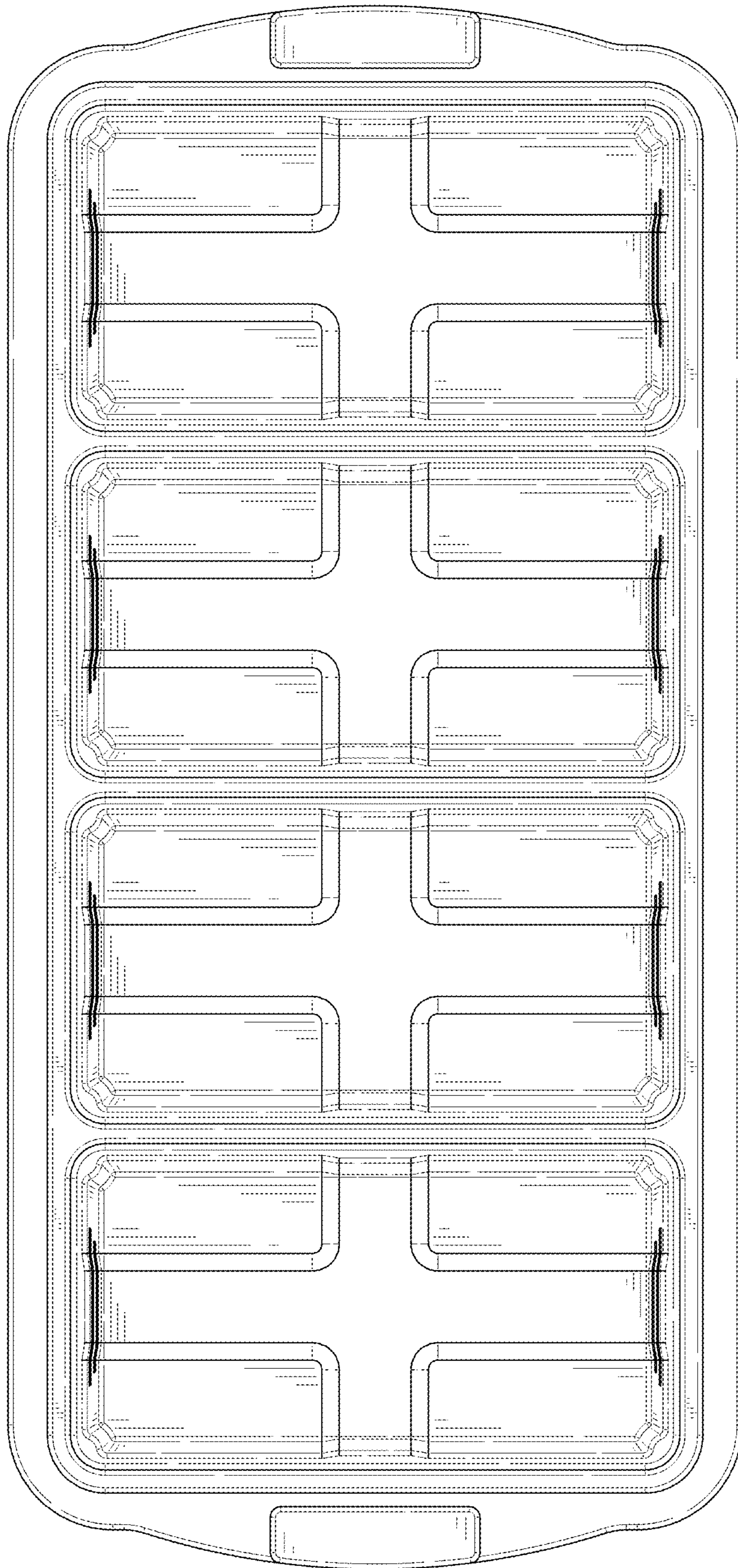


FIG. 7



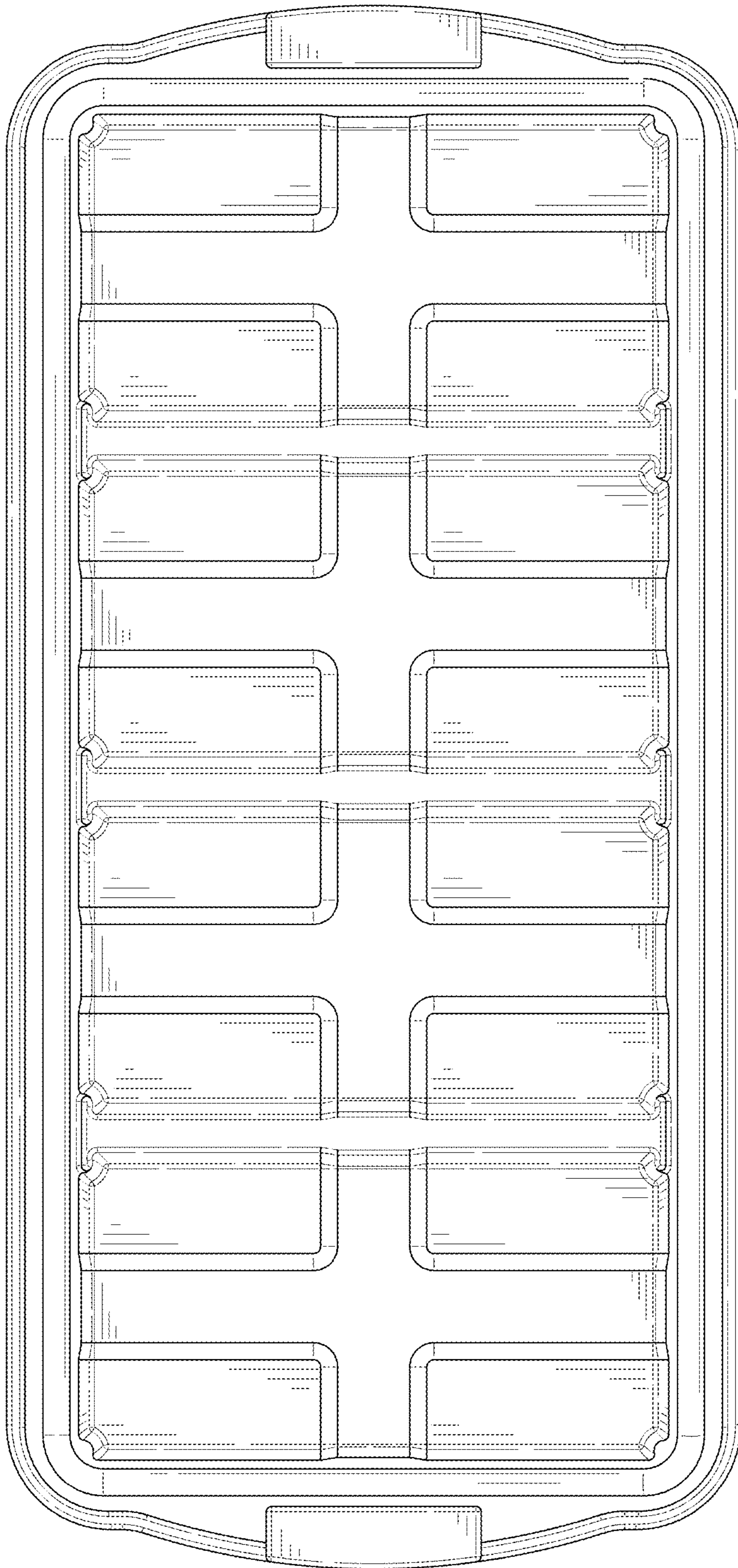


FIG. 8

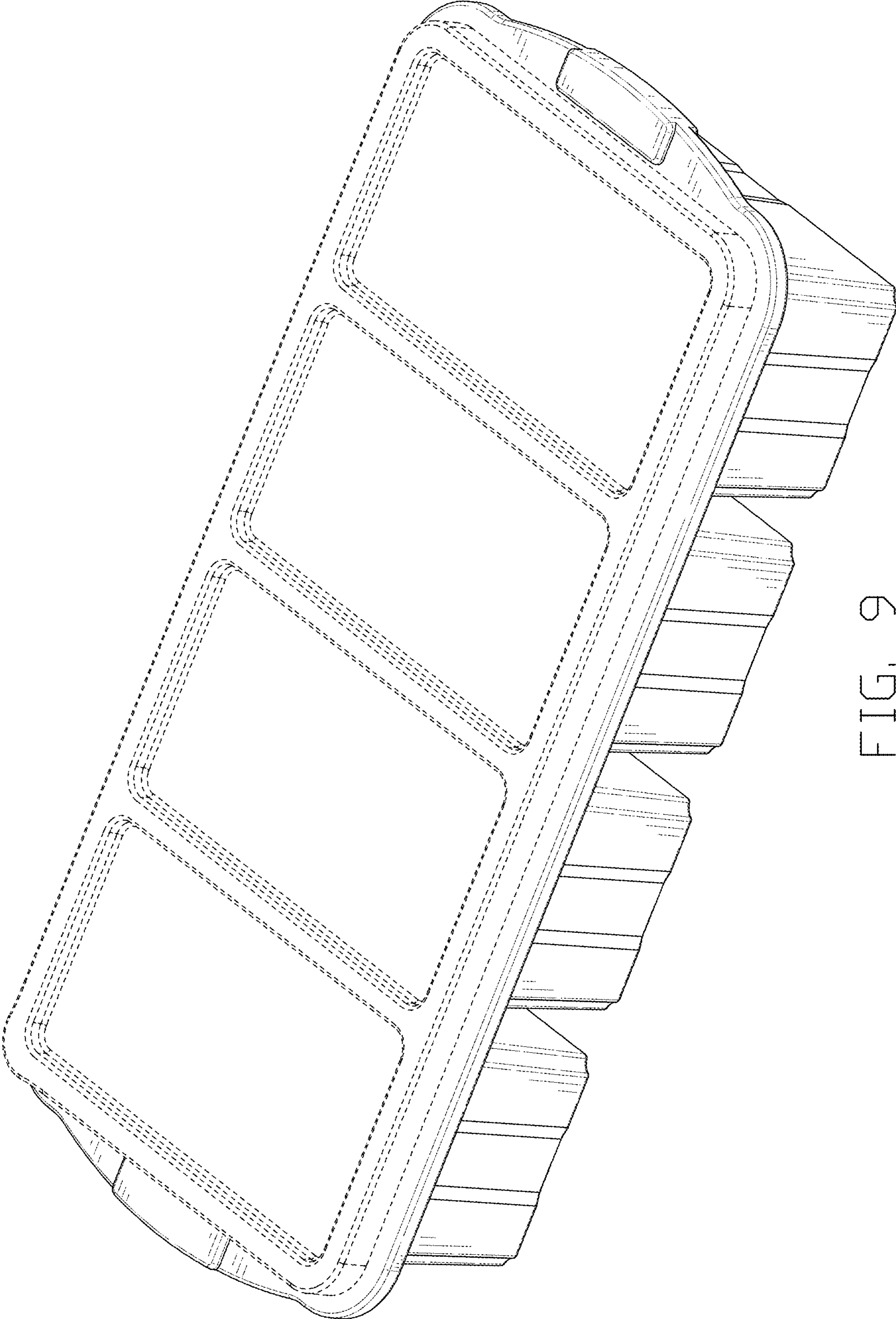


FIG. 9

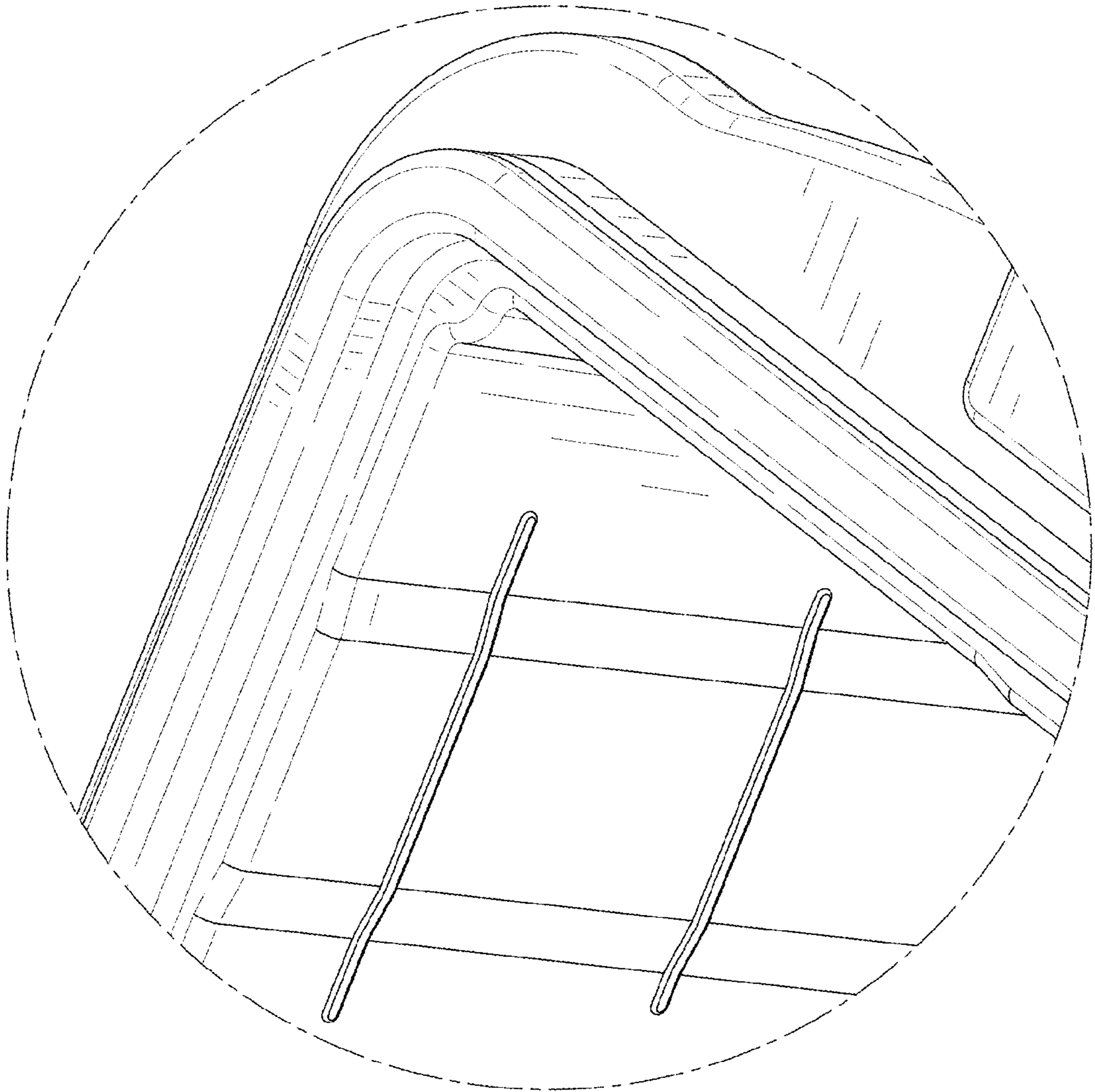


FIG. 10