



US00D922128S

(12) **United States Design Patent** (10) **Patent No.:** **US D922,128 S**
Li (45) **Date of Patent:** **** Jun. 15, 2021**

(54) **SILICONE BAKING PAN**
(71) Applicant: **Shenzhen Xiaomo Technology Co., Ltd.**, Shenzhen (CN)
(72) Inventor: **Lunqiang Li**, Shenzhen (CN)
(**) Term: **15 Years**

D707,077 S * 6/2014 Sarnoff D7/357
D713,196 S * 9/2014 Sarnoff D7/357
D714,583 S 10/2014 Kwon et al.
D762,083 S 7/2016 Librus
D792,211 S * 7/2017 Foster D9/425
D792,222 S * 7/2017 Sill D9/456
D857,454 S * 8/2019 Makabi D7/409
D917,949 * 5/2021 Place D7/357

(21) Appl. No.: **29/768,735**
(22) Filed: **Feb. 1, 2021**
(51) **LOC (13) Cl.** **07-02**
(52) **U.S. Cl.**
USPC **D7/357**; D7/354
(58) **Field of Classification Search**
USPC D3/304; D7/323, 354–361, 409, 541,
D7/543, 545, 549, 550.1, 553.1–553.8,
D7/554.1–554.4, 555, 584, 586; D9/425,
D9/430–433, 455–456, 737, 756–762;
D32/55
CPC A21B 3/00; A21B 3/13; A21B 3/15; A21B
3/134; A21B 5/00; A21B 5/02; A47J
36/022; A47J 36/025; A47J 36/027; A47J
37/00; A47J 37/04; B65D 1/22; B65D
1/24; B65D 1/34; B65D 1/36; B65D
77/0433; B65D 81/343; B65D 85/36
See application file for complete search history.

OTHER PUBLICATIONS

Gear Gurus Baking Pan Dividers—Silicone Baking Trays. Date First Available Aug. 26, 2020 <https://www.amazon.com/Gear-Gurus-Baking-Pan-Dividers/dp/B08GL4JSLF/ref> (Year: 2020).*
https://www.amazon.com/Standing-Nonstick-Silicone-Siliconebaking-Dividers/dp/B08LMRBD76/ref=sr_1_2?dchild=1&m=A2ZSGJ8W3LBESX&marketplaceID=ATVPDKIKX0DERA&qid=1611911138&s=merchant-items&sr=1-2&th=1; Oct. 22, 2020.

* cited by examiner

Primary Examiner — Ricky Pham
(74) *Attorney, Agent, or Firm* — Rumit Ranjit Kanakia

(57) **CLAIM**

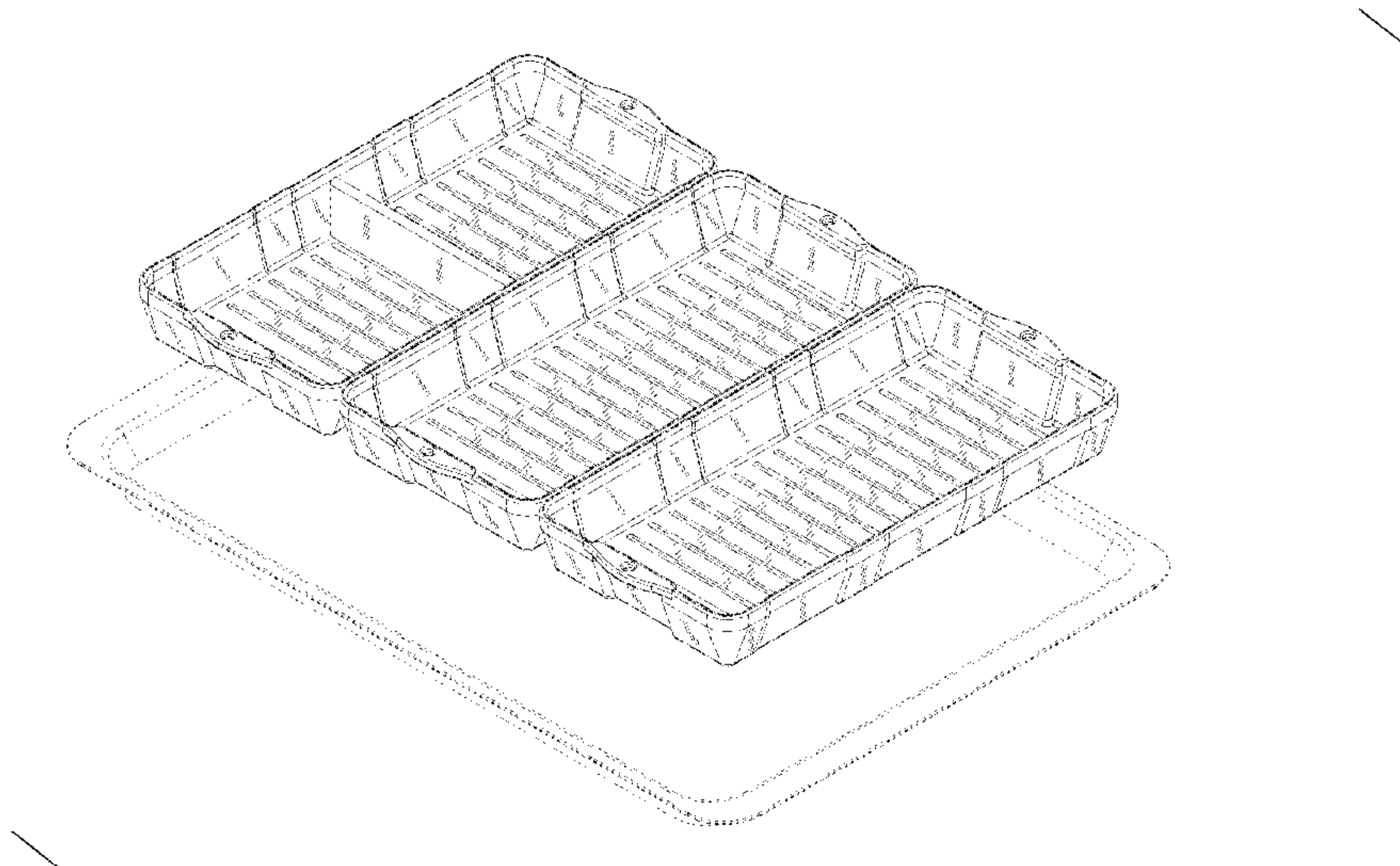
I claim the ornamental design for a silicone baking pan, as shown and described.

DESCRIPTION

FIG. 1 is a Perspective view of a silicone baking pan showing my new design;
FIG. 2 is a Front view thereof;
FIG. 3 is a Back view thereof;
FIG. 4 is a Right-side view thereof;
FIG. 5 is a Left-side view thereof;
FIG. 6 is a Top view thereof;
FIG. 7 is a Bottom view thereof; and,
FIG. 8 is a Perspective view of a silicon baking pan showing with tray.
The broken lines in the drawings depict portions of the silicone baking pan that form no part of the claimed design.

1 Claim, 6 Drawing Sheets

(56) **References Cited**
U.S. PATENT DOCUMENTS
4,202,465 A * 5/1980 McLaren B65D 77/0433
229/120.17
D380,347 S * 7/1997 Norton D7/409
D414,372 S * 9/1999 Fullmer D7/323
D489,567 S 5/2004 Groll
D551,492 S 9/2007 Schuler
D563,673 S * 3/2008 Dretzka D3/304
D595,155 S * 6/2009 Larson D9/425
D621,204 S 8/2010 Henry
D640,433 S * 6/2011 Pargansky D32/55
D653,496 S 2/2012 Henry
D656,789 S * 4/2012 Locke D7/541



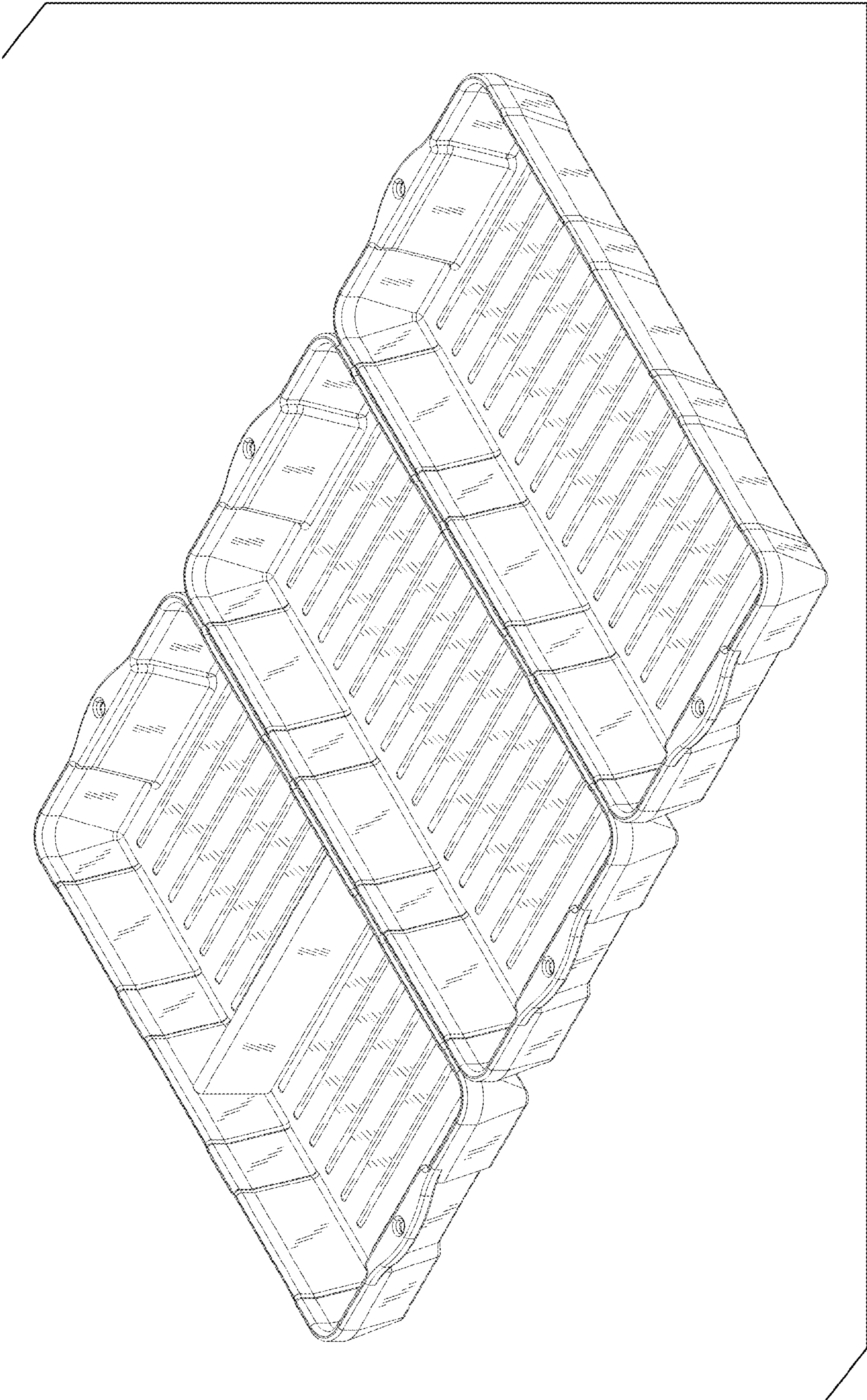


FIG. 1

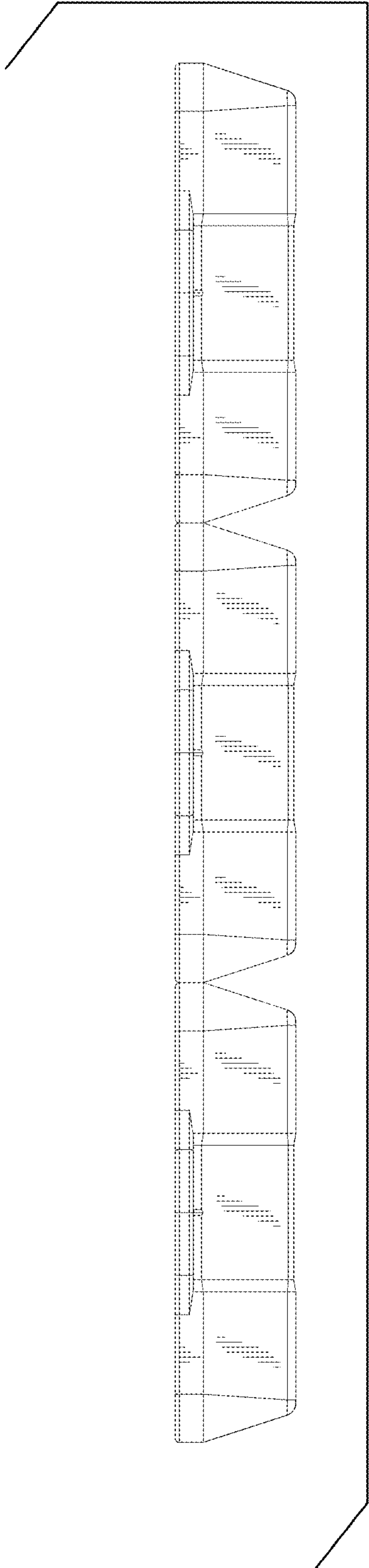


FIG. 2

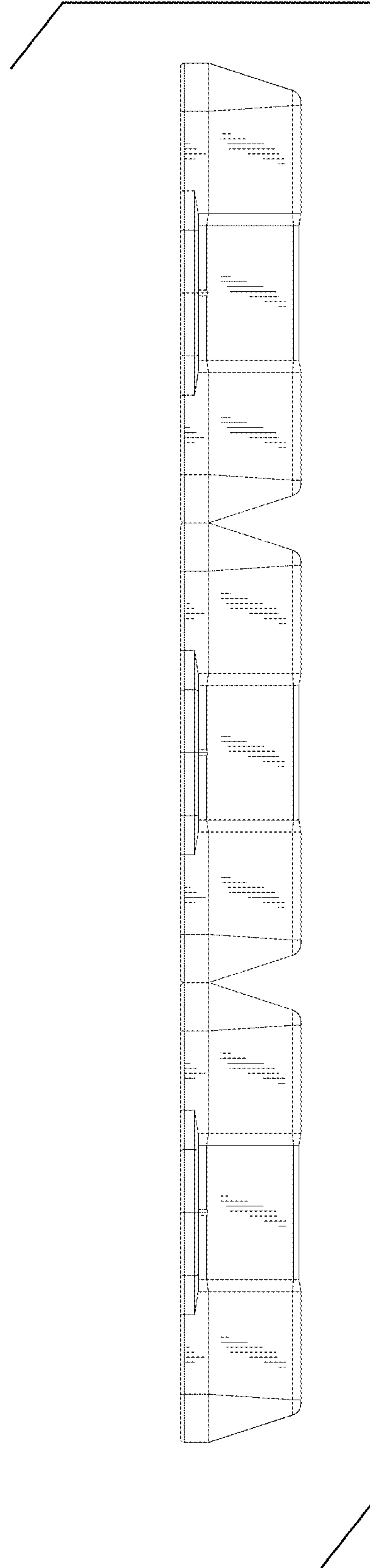


FIG. 3

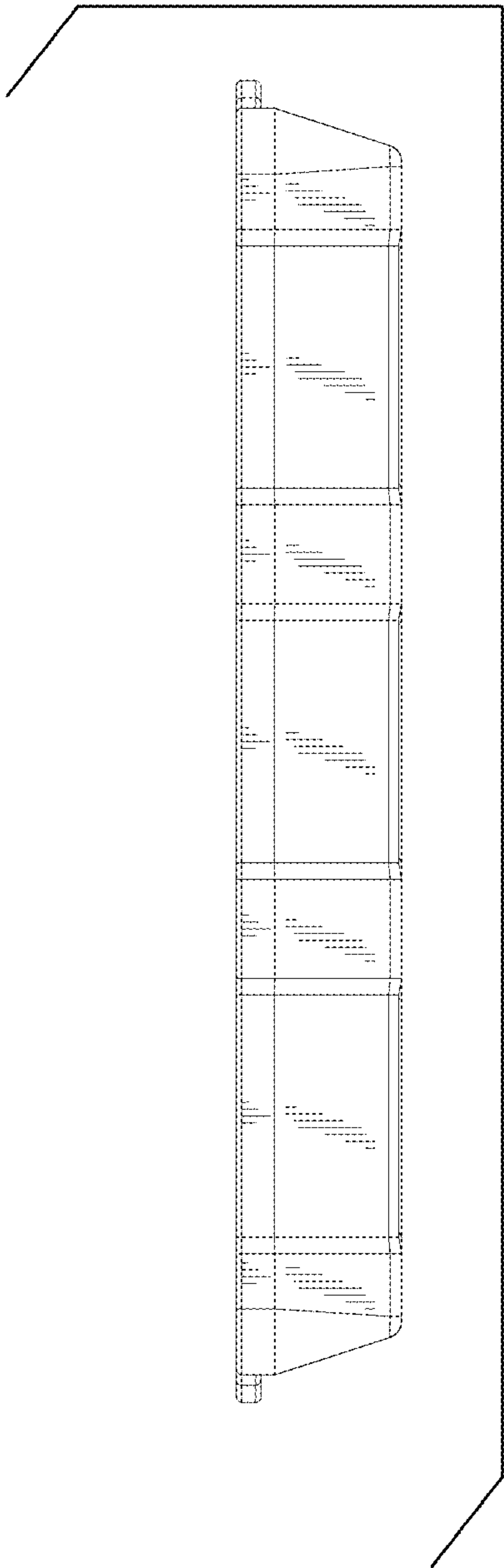


FIG. 4

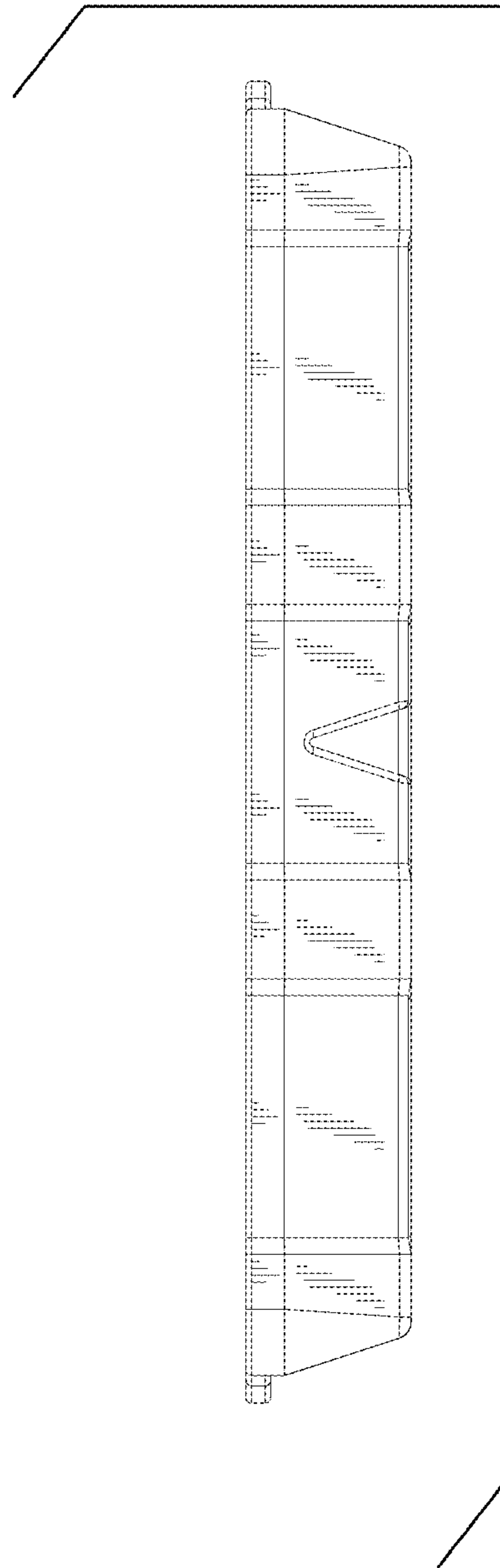


FIG. 5

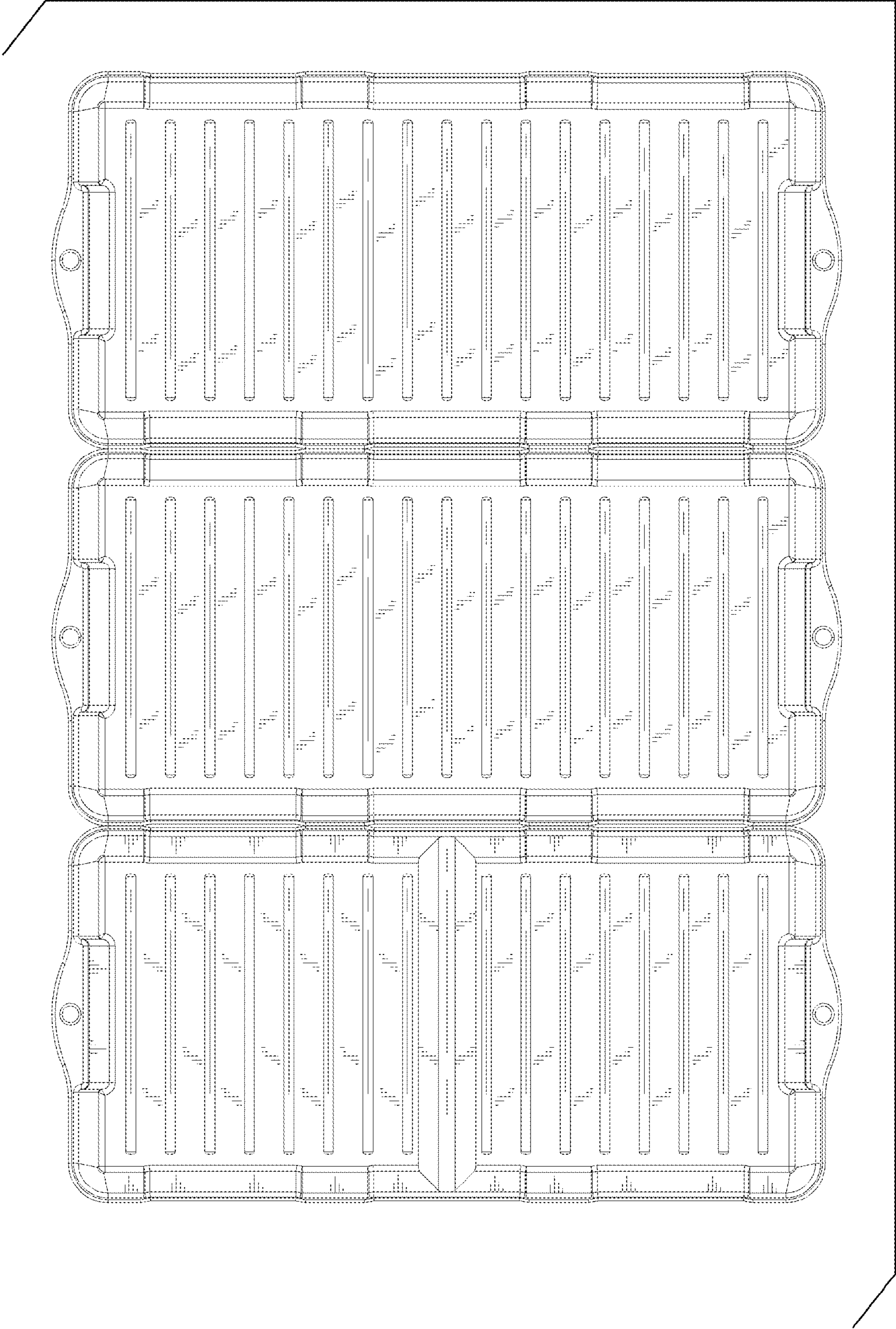


FIG. 6

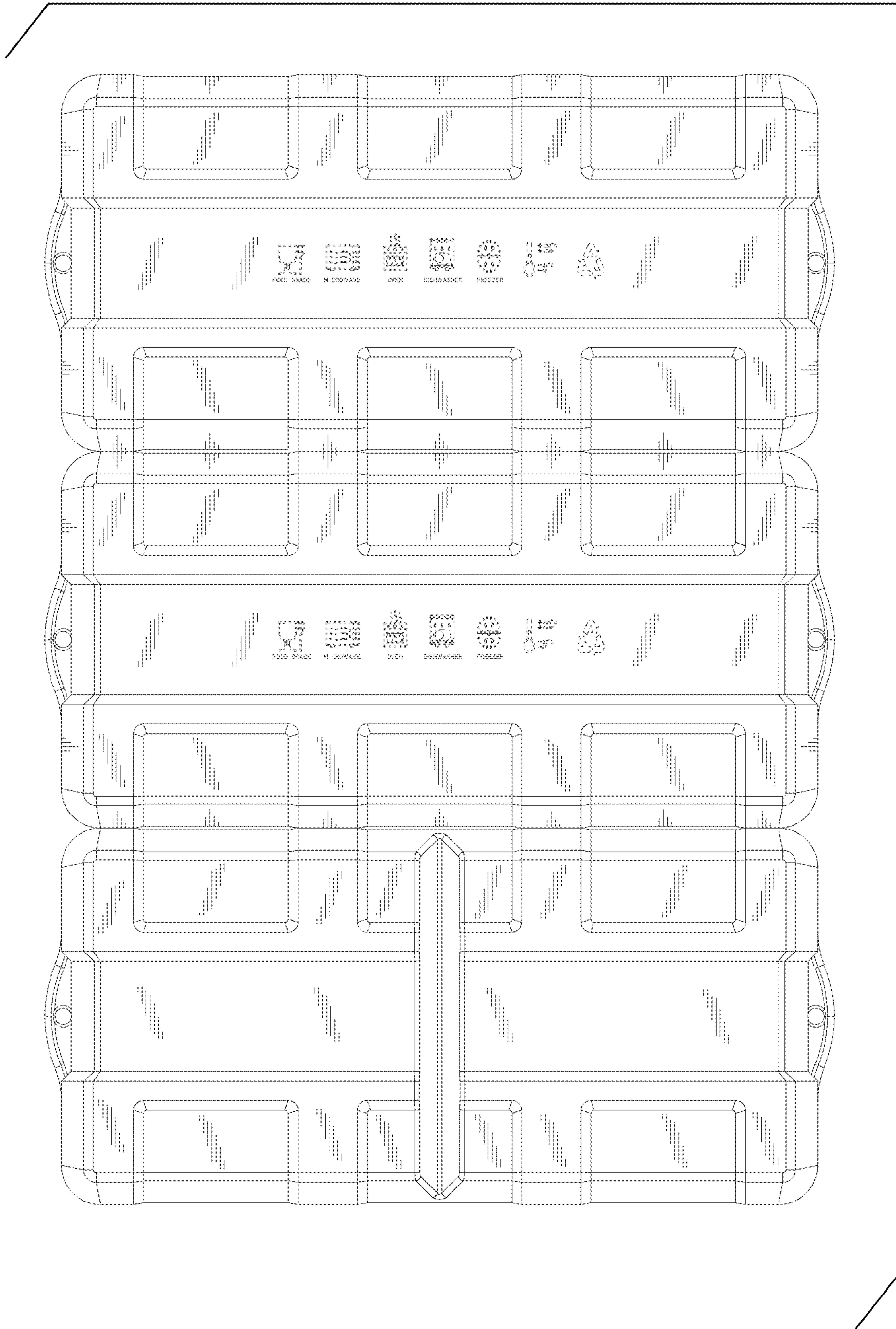


FIG. 7

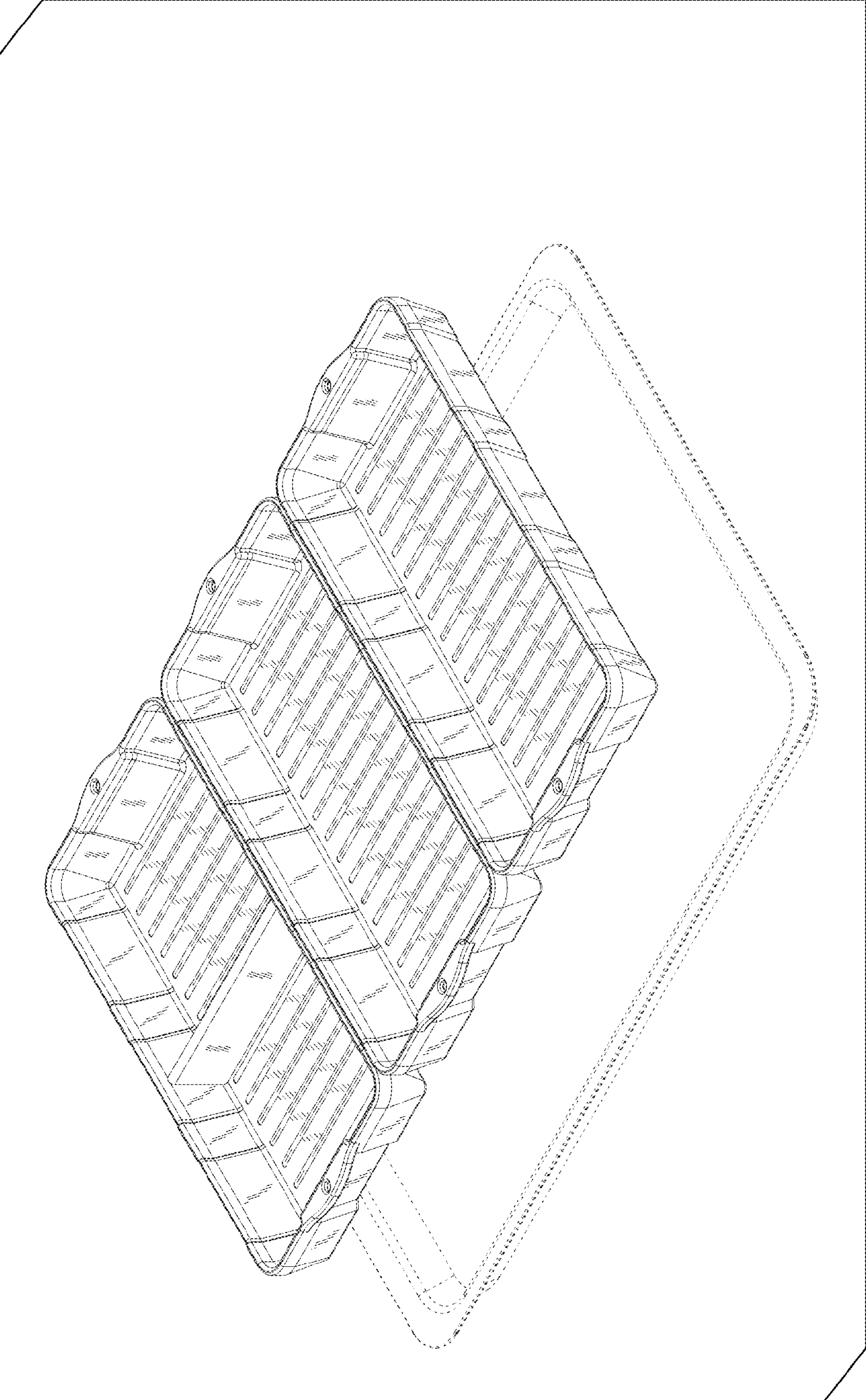


FIG. 8