



US00D922127S

(12) **United States Design Patent**
Ferrada

(10) **Patent No.:** **US D922,127 S**
(45) **Date of Patent:** **** Jun. 15, 2021**

(54) **EGG COOKER**

(71) Applicant: **Lifetime Brands, Inc.**, Garden City, NY (US)

(72) Inventor: **Bradley Ferrada**, Forest Hills, NY (US)

(73) Assignee: **Lifetime Brands, Inc.**, Garden City, NY (US)

(**) Term: **15 Years**

(21) Appl. No.: **29/689,019**

(22) Filed: **Apr. 26, 2019**

(51) **LOC (13) Cl.** **07-02**

(52) **U.S. Cl.**
USPC **D7/357**

(58) **Field of Classification Search**
USPC D7/354, 355, 356, 357, 359, 501, 503, D7/505, 550.1, 553.1, 553.2, 553.6, D7/553.7, 553.8, 554.1, 554.2, 554.3, D7/554.4, 753; D3/304; D9/736, 749, D9/755, 758, 760, 456; D1/105, 124
CPC .. A47J 29/00; A47J 29/02; A47J 29/04; A47J 29/06; A47J 27/004; A47J 36/027; A01K 41/06; A01K 41/065; B65D 85/32; B65D 85/321; B65D 85/322; B65D 85/324; B65G 2201/2208; A47G 19/282; F25D 2331/807

See application file for complete search history.

(56) **References Cited**

U.S. PATENT DOCUMENTS

D23,930 S * 1/1895 Kroeter D7/357
855,565 A * 6/1907 Greenhouse B65D 71/72
206/562
1,199,987 A * 10/1916 Husted A47G 33/02
206/19
D252,066 S * 6/1979 Jeambey D7/357
D269,935 S * 8/1983 Powers D7/357
D275,925 S * 10/1984 Bowen D7/357

D292,161 S * 10/1987 Spolter D7/553.6
D391,449 S * 3/1998 Toth D7/554.2
D393,775 S * 4/1998 Otero D7/553.6
D469,653 S * 2/2003 Cooper D7/357
D497,077 S * 10/2004 de Groote D7/357
D579,263 S * 10/2008 Courington D7/357
D688,085 S * 8/2013 Harris D7/357
D696,896 S * 1/2014 Weskamp D7/357
D804,325 S * 12/2017 Thompson D9/758
D829,497 S * 10/2018 Kilicarslan D7/391

(Continued)

FOREIGN PATENT DOCUMENTS

JP 2014161230 A * 9/2014

OTHER PUBLICATIONS

Instant Pot Official Silicone Egg Bites Pan, announced Sep. 22, 2019 [online], retrieved Aug. 3, 2020, retrieved from internet, https://www.amazon.com/Instant-Pot-5252242-Official-Compatible/dp/B07WSRN21B/ref=cm_cr_arp_d_product_top?ie=UTF8.*

Primary Examiner — Dana K Weiland
Assistant Examiner — Messina L Smith
(74) *Attorney, Agent, or Firm* — Tutunjian & Bitetto, P.C.

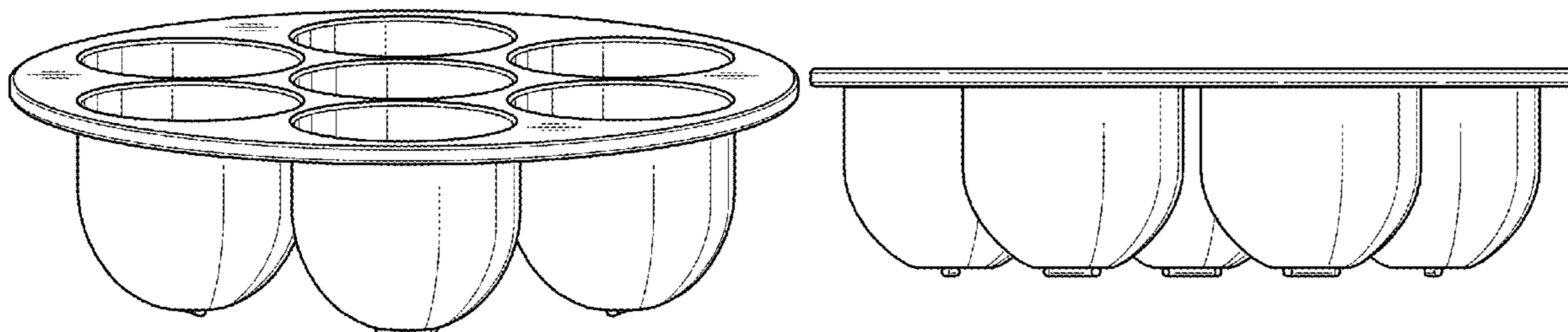
(57) **CLAIM**

The ornamental design for an egg cooker, as shown and described.

DESCRIPTION

FIG. 1 is a top perspective view of an egg cooker showing my new design;
FIG. 2 is a front elevation view thereof;
FIG. 3 is a right side elevation view thereof;
FIG. 4 is a rear elevation view thereof;
FIG. 5 is a left side elevation view thereof;
FIG. 6 is a top plan view thereof; and,
FIG. 7 is a bottom plan view thereof.
The broken lines in the drawings depict portions of the egg cooker that form no part of the claimed design.

1 Claim, 3 Drawing Sheets



(56)

References Cited

U.S. PATENT DOCUMENTS

D835,467 S * 12/2018 Dolinsky D7/553.6
D848,780 S * 5/2019 Lombardo D7/357

* cited by examiner

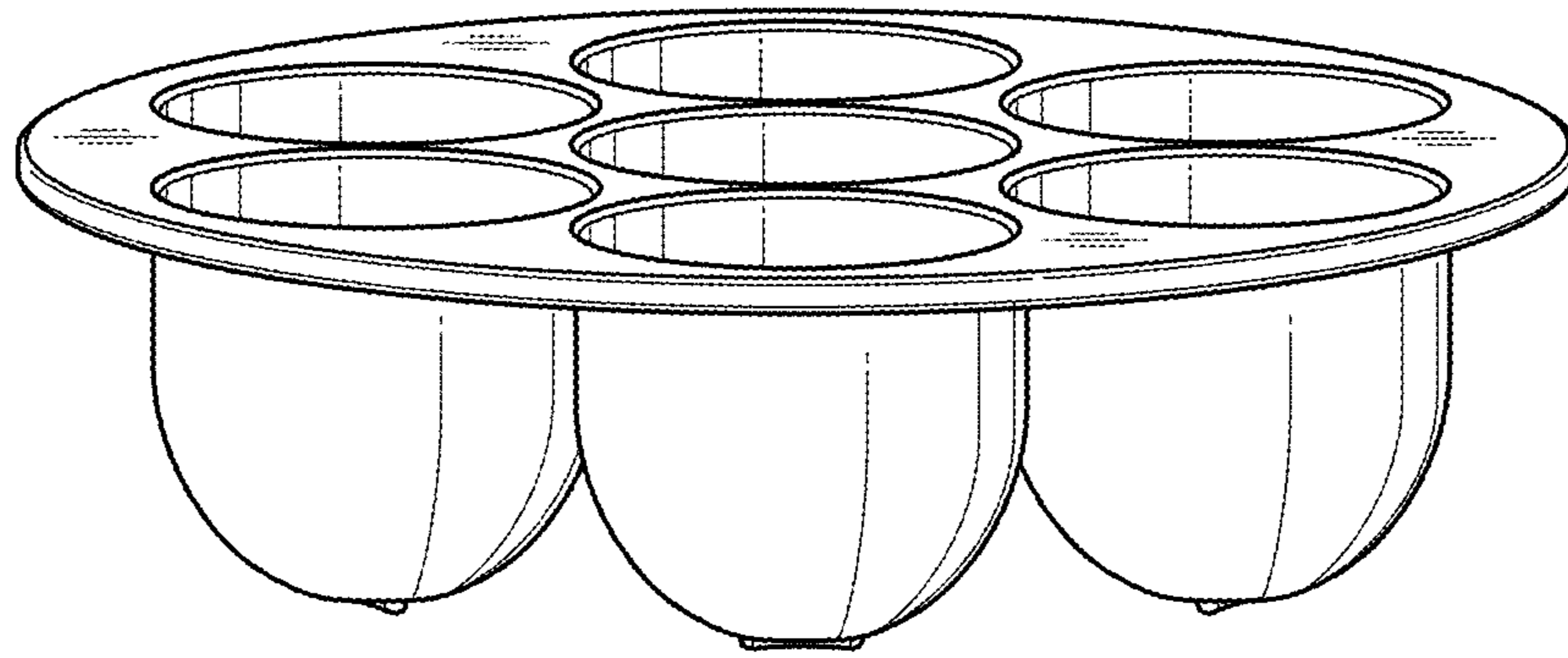


FIG. 1

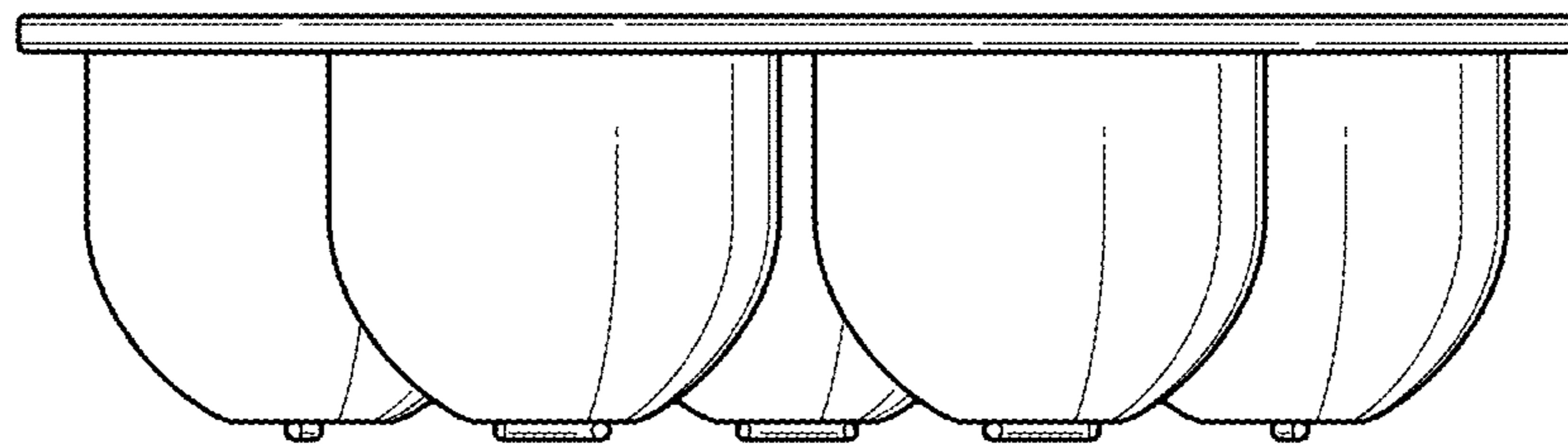


FIG. 2

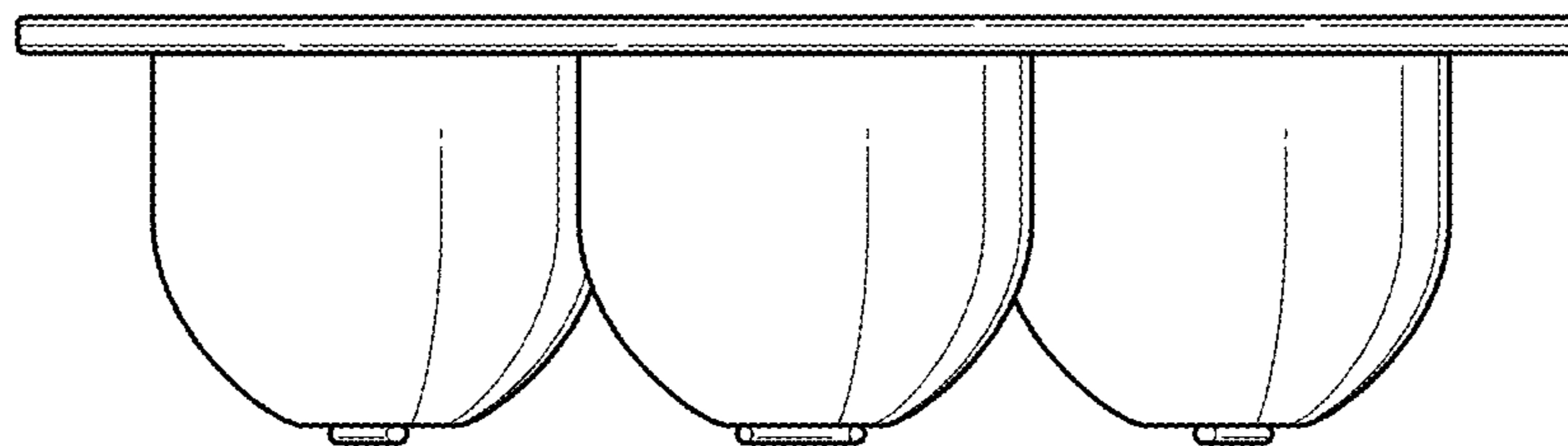


FIG. 3

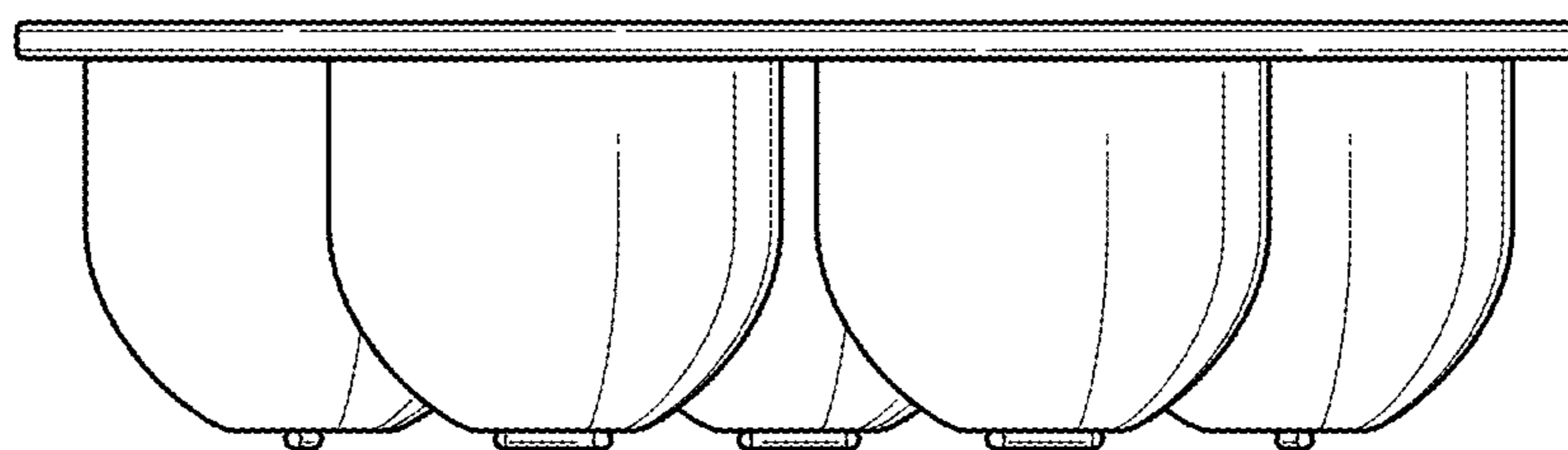


FIG. 4

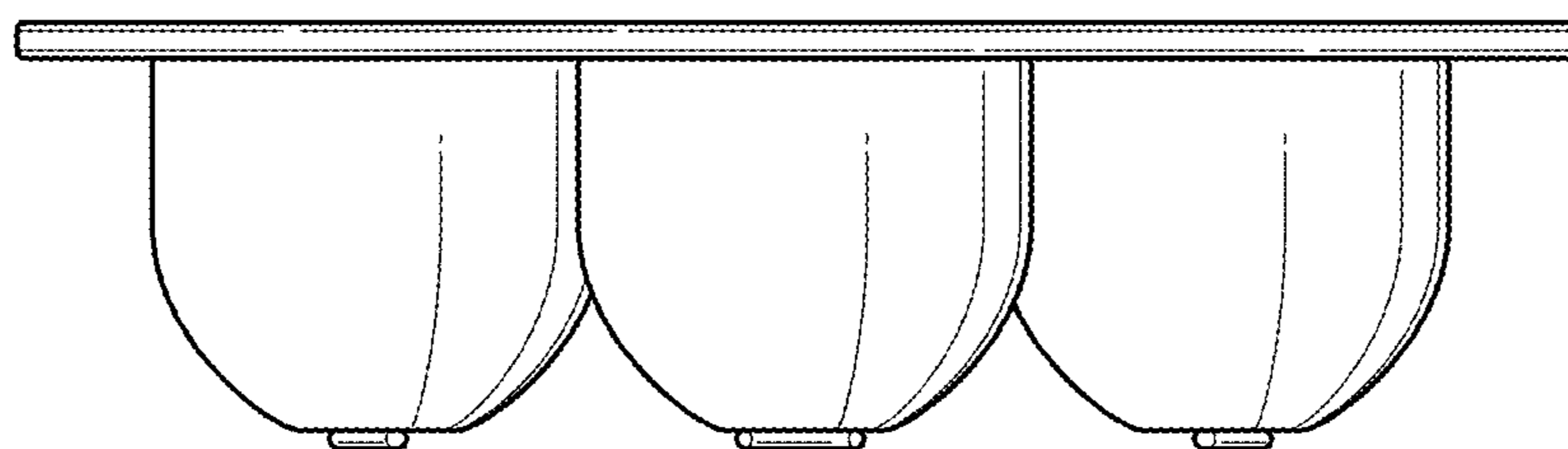


FIG. 5

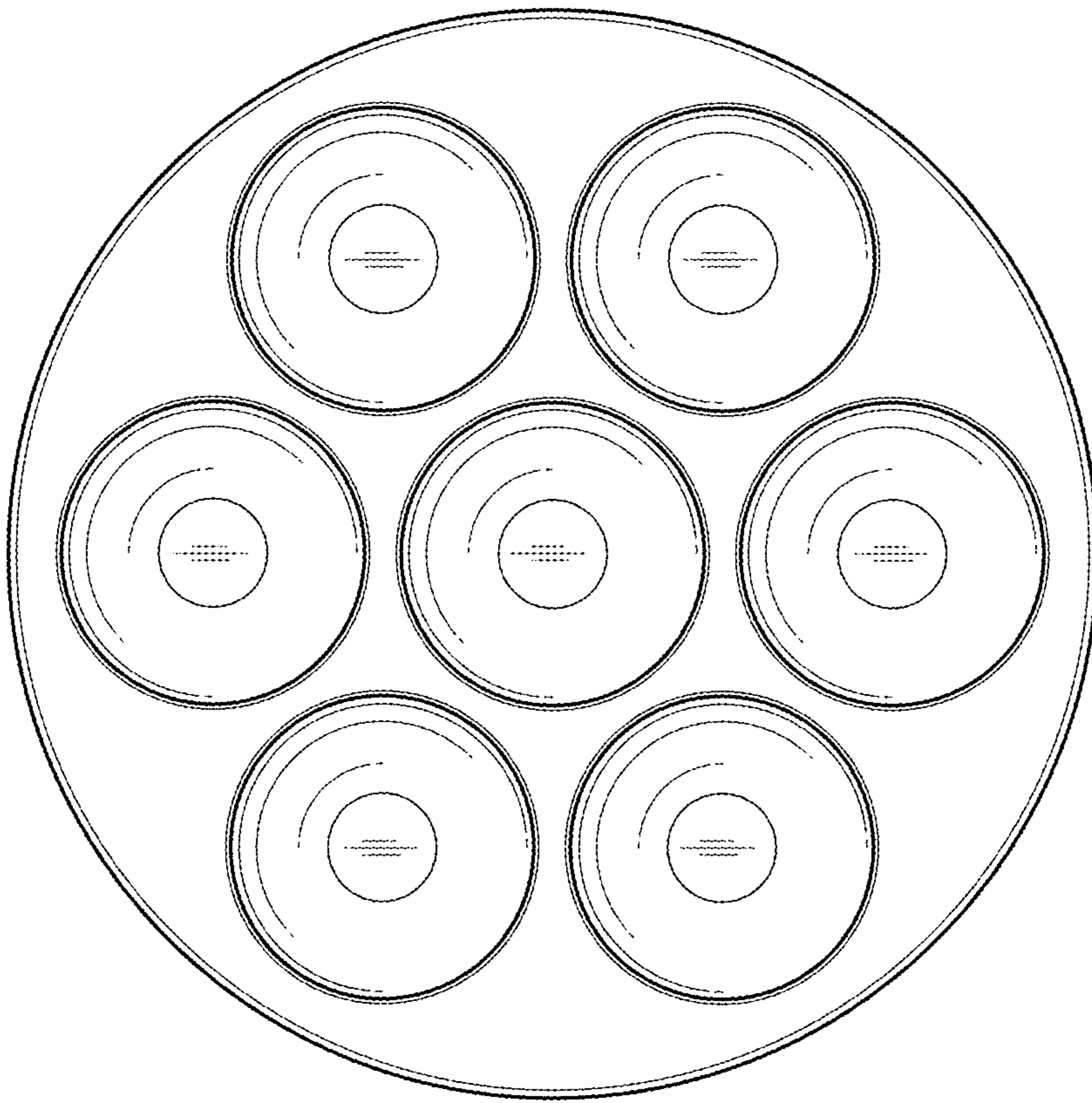


FIG. 6

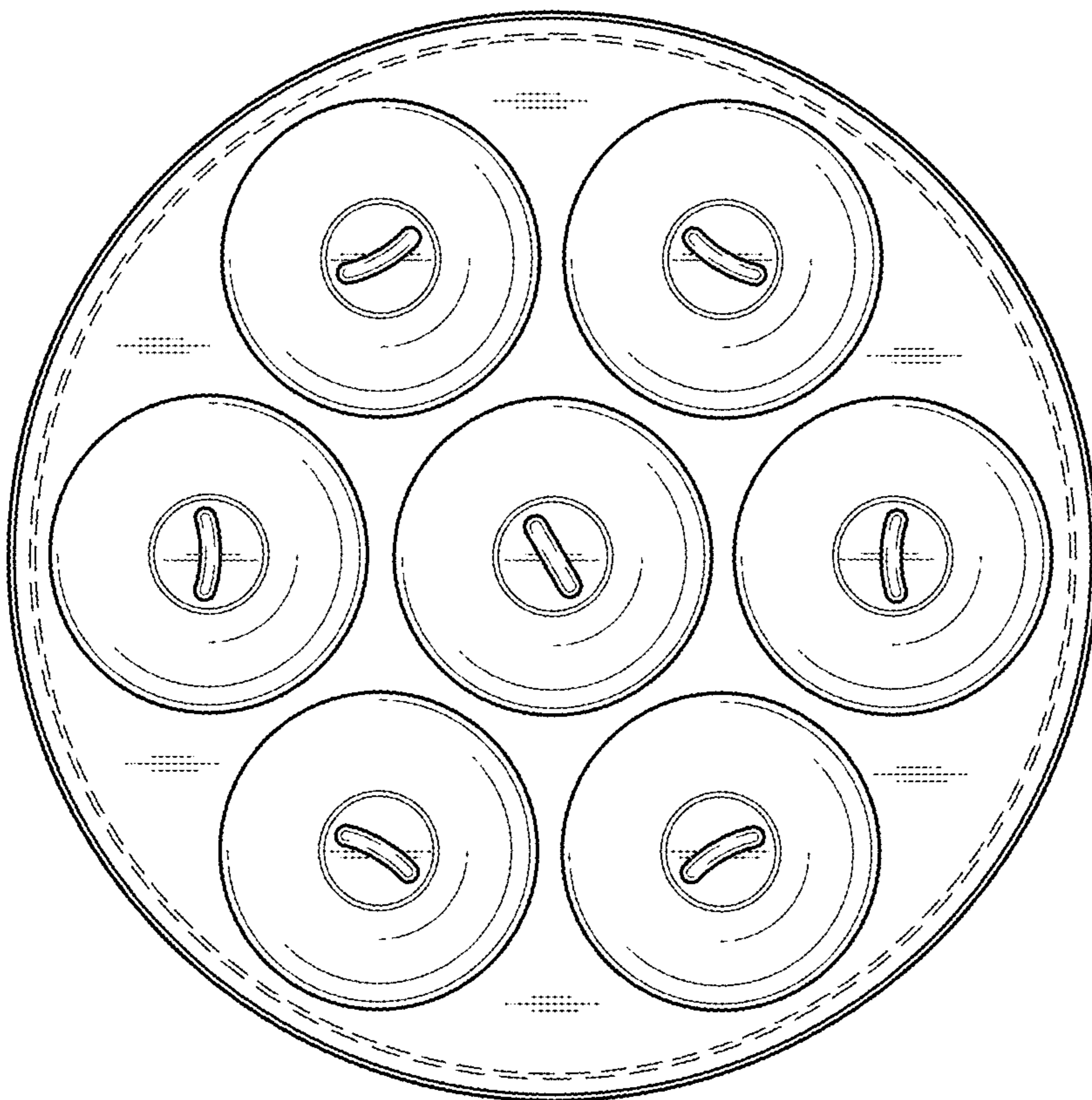


FIG. 7