



US00D922125S

(12) **United States Design Patent**
Kim et al.

(10) **Patent No.:** **US D922,125 S**
(45) **Date of Patent:** **** Jun. 15, 2021**

(54) **MICROWAVE OVEN**

FOREIGN PATENT DOCUMENTS

(71) Applicant: **Samsung Electronics Co., Ltd.**,
Suwon-si (KR)

CN	2011300170870	9/2011
CN	2011300170885	9/2011
CN	2012300763368	9/2012
CN	2013305884946	7/2014
CN	2014304533576	4/2015

(72) Inventors: **Hyunsoo Kim**, Suwon-si (KR);
Yoonjoo Kwon, Suwon-si (KR);
Kyungseob Yang, Suwon-si (KR)

OTHER PUBLICATIONS

(73) Assignee: **Samsung Electronics Co., Ltd.**,
Suwon-si (KR)

1.1 cu. ft. Countertop Microwave—MC11K7035CG/AA, Samsung,
[online], [site visited Mar. 12, 2021], Available from internet URL:
<https://www.samsung.com/us/home-appliances/microwaves/countertop/mc11k7035cg-1-1-cu-ft-counter-top-microwave-with-power-convection-mc11k7035cg-aa/> (Year: 2021).*
www.front.wemakeprice.com Apr. 27, 2020 <https://front.wemakeprice.com/product/226057869?utm_source=socialmoa&utm_medium=META_af&utm_campaign=null>.

(**) Term: **15 Years**

(21) Appl. No.: **29/732,646**

(22) Filed: **Apr. 27, 2020**

(Continued)

(30) **Foreign Application Priority Data**

Dec. 26, 2019 (KR) 30-2019-0063046

(51) **LOC (13) Cl.** **07-02**

(52) **U.S. Cl.**
USPC **D7/351**

(58) **Field of Classification Search**
USPC D7/323, 328, 329, 330, 332, 334, 337,
D7/339, 347, 348, 349, 350.1, 350.2,
D7/350.3, 350.4, 351, 402, 405
CPC A47J 37/00; A47J 37/206; A47J 37/0605;
A47J 37/0623; A47J 37/0629; A47J
37/0641; A47J 37/0647; A47J 37/0664;
A47J 37/0658; A47J 37/067; A47J 37/07;
A47J 37/08; A47J 37/0807
See application file for complete search history.

Primary Examiner — Mary Ann Calabrese
Assistant Examiner — Natalya M Rapundalo
(74) *Attorney, Agent, or Firm* — NSIP Law

(57) **CLAIM**

We claim the ornamental design for a microwave oven, as shown and described.

DESCRIPTION

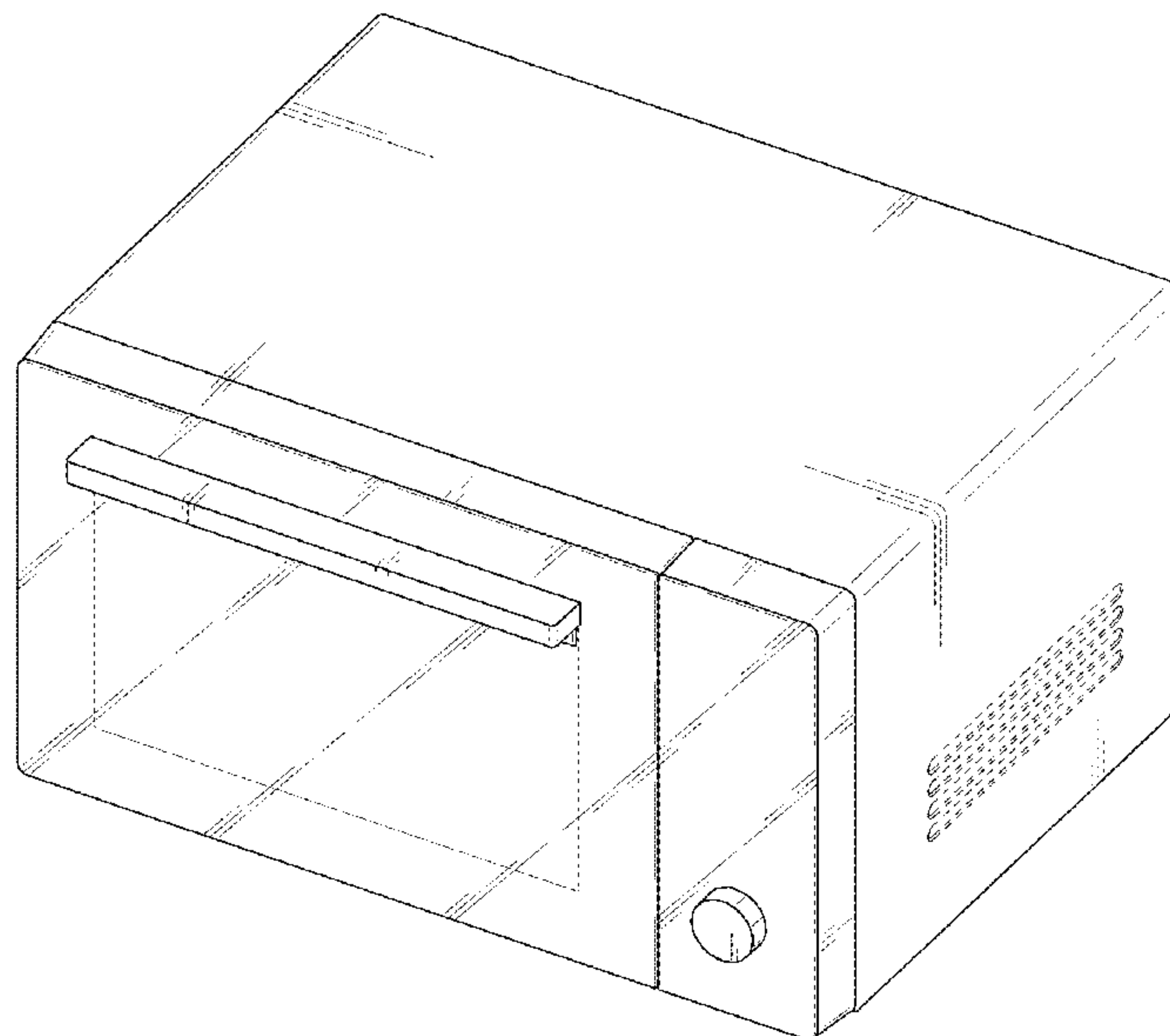
FIG. 1 is a front perspective view of a microwave oven showing our new design;
FIG. 2 is a front view thereof;
FIG. 3 is a rear view thereof;
FIG. 4 is a left-side view thereof;
FIG. 5 is a right-side view thereof;
FIG. 6 is a top view thereof; and,
FIG. 7 is a bottom view thereof.
The broken lines in the figures depict portions of the microwave oven which form no part of the claimed design.

(56) **References Cited**

U.S. PATENT DOCUMENTS

D540,613 S *	4/2007	Jeon	D7/350.1
D788,515 S *	6/2017	Kim	D7/350.1
D908,416 S *	1/2021	Huang	D7/347

1 Claim, 7 Drawing Sheets



(56)

References Cited

OTHER PUBLICATIONS

[2020] www.lotte.com Apr. 27, 2020 <http://www.lotte.com/goods/viewGoodsDetail.lotte?goods_no=69930417>.

[2020] www.e-himart.co.kr Apr. 27, 2020 <<http://www.e-himart.co.kr/app/goods/goodsDetail?goodsNo=0000527017>mPos=%EA%B2%80%EC%83%89&jsClick=Y>>.

* cited by examiner

FIG. 1

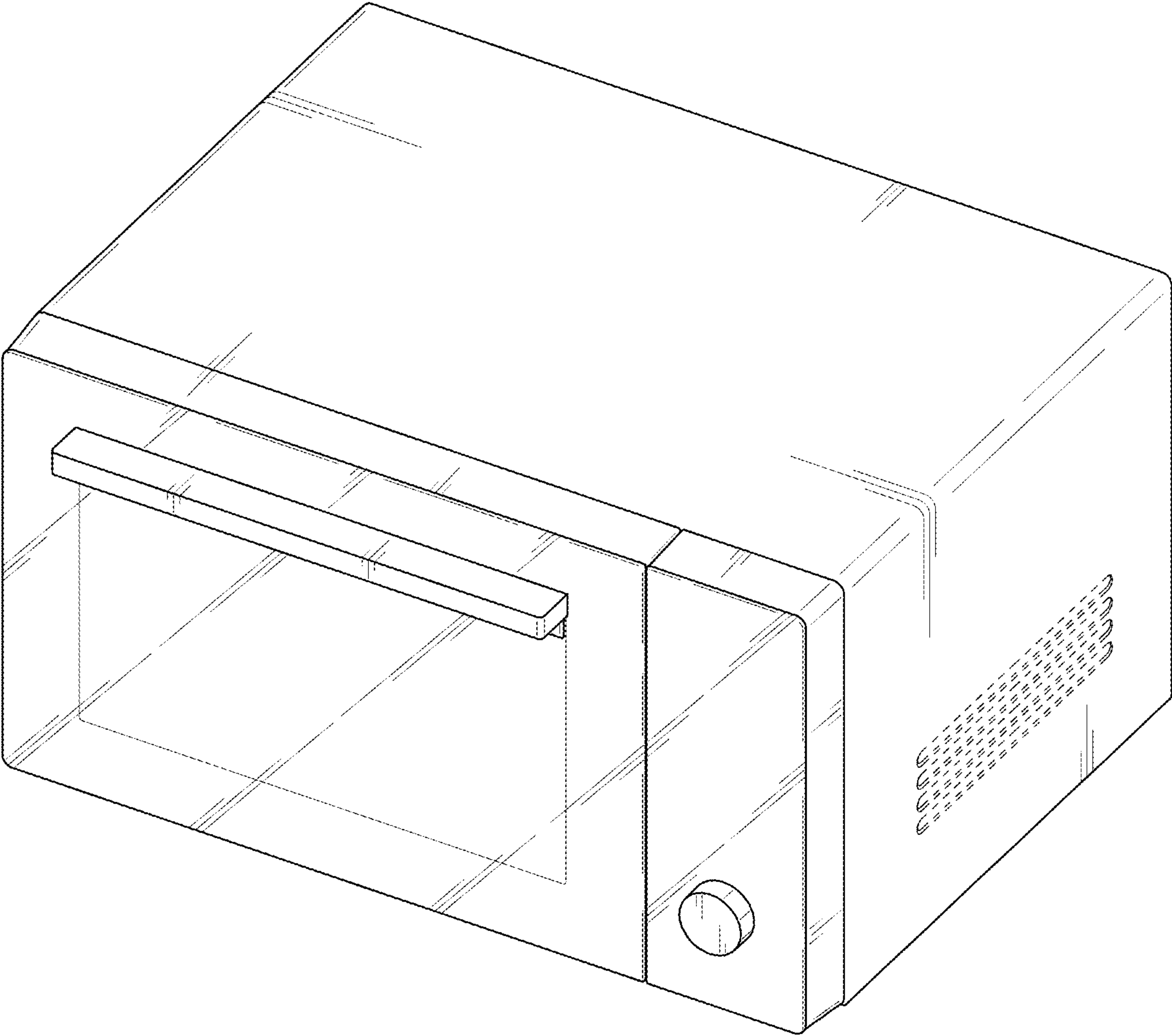


FIG. 2

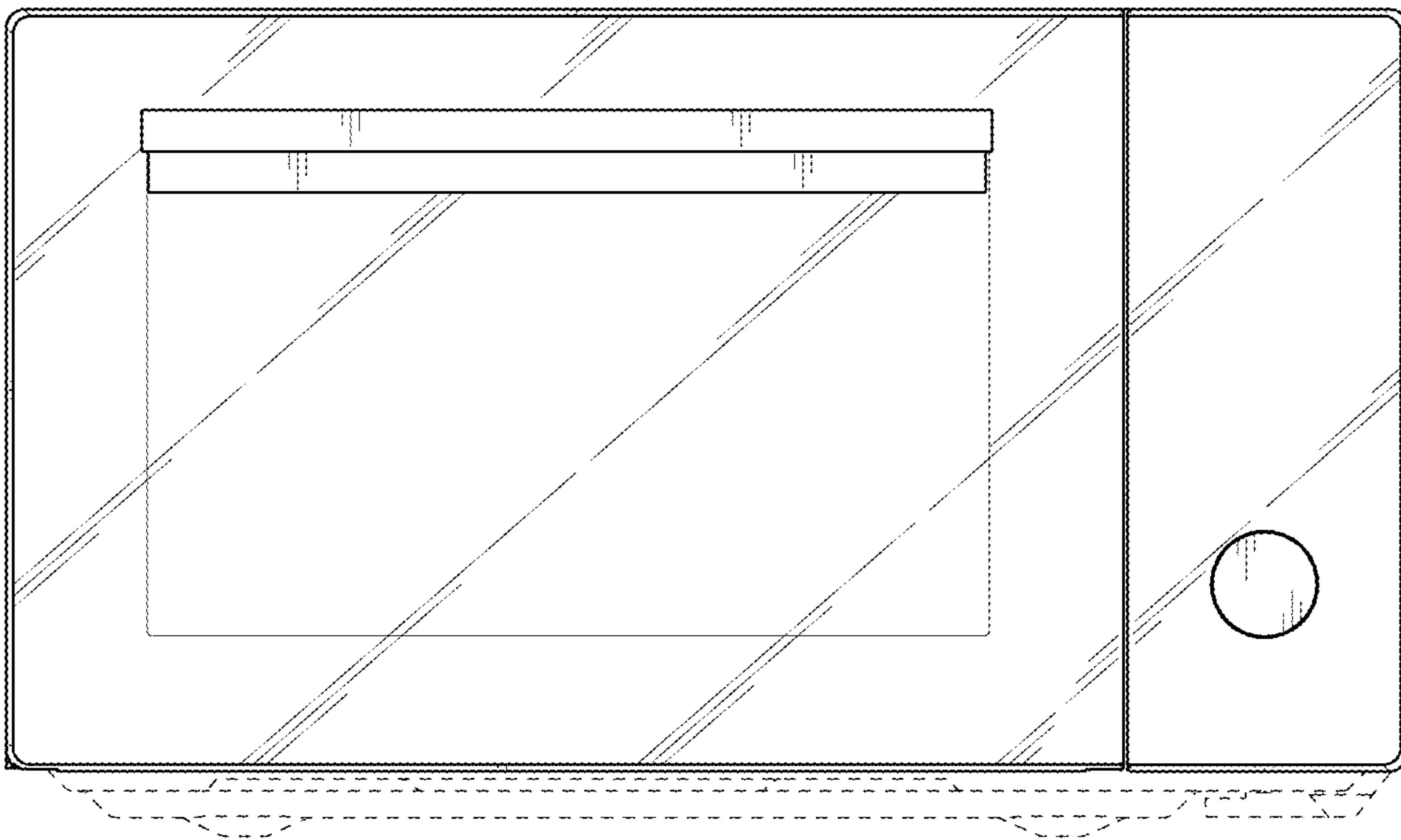


FIG. 3

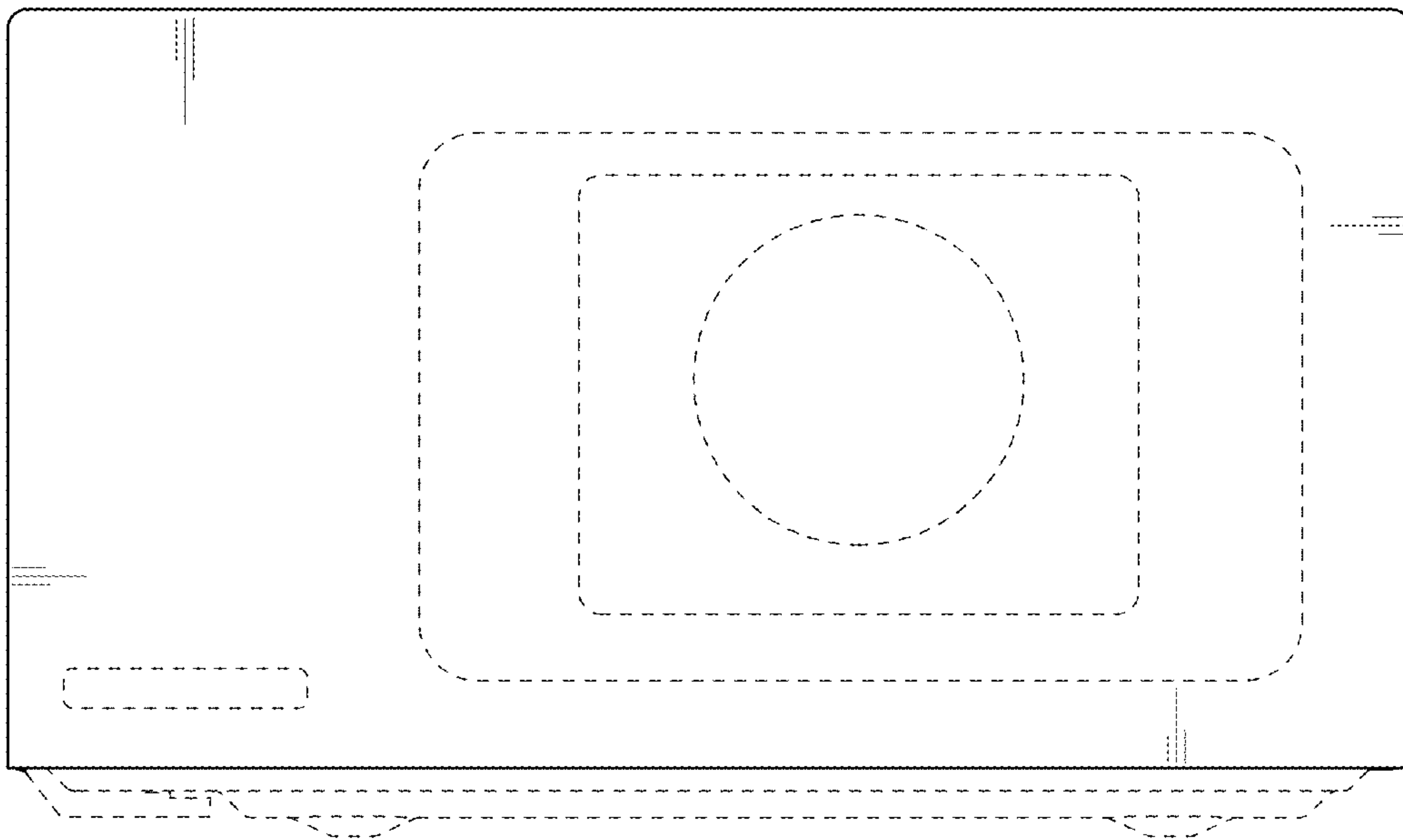


FIG. 4

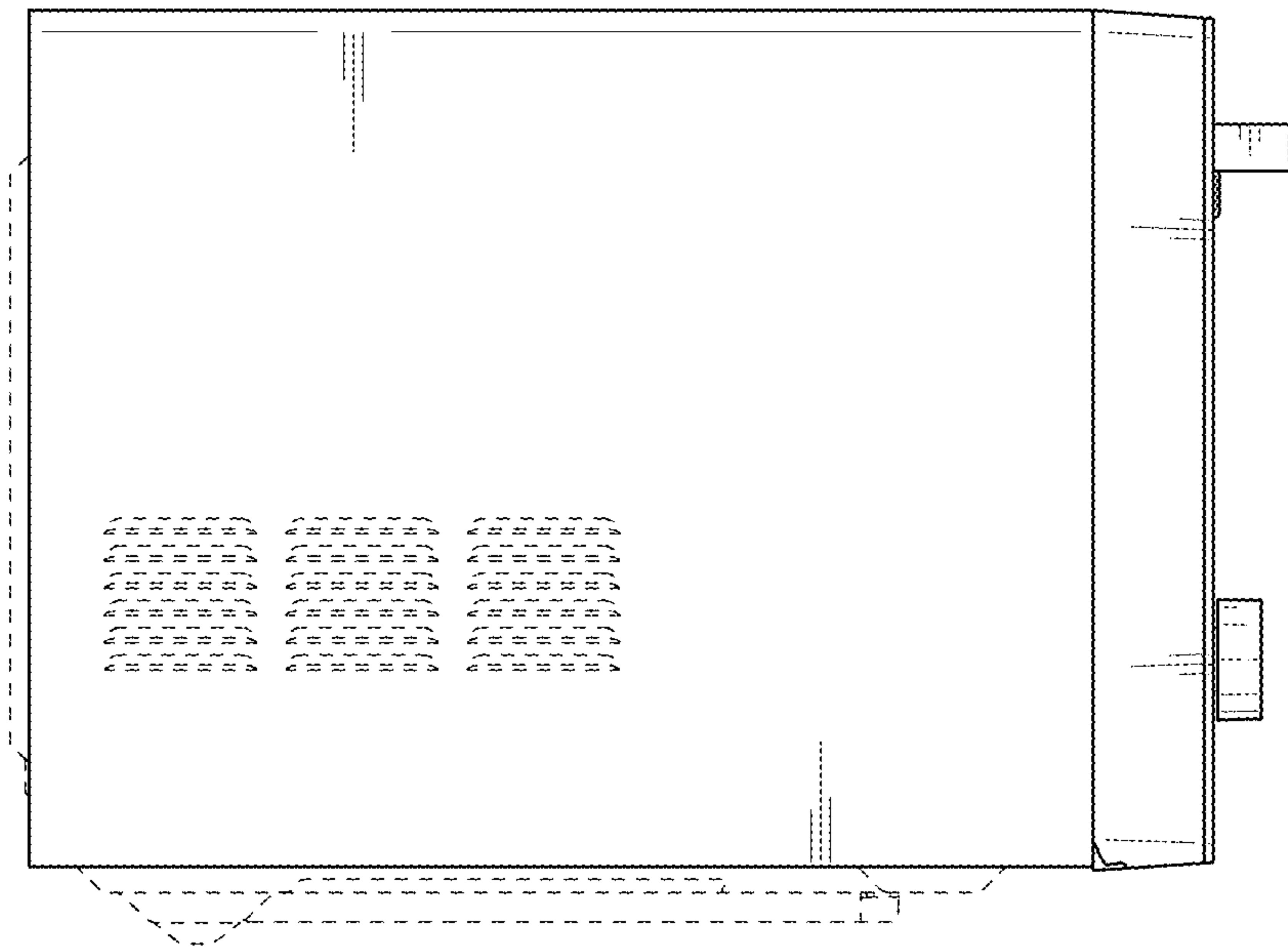


FIG. 5

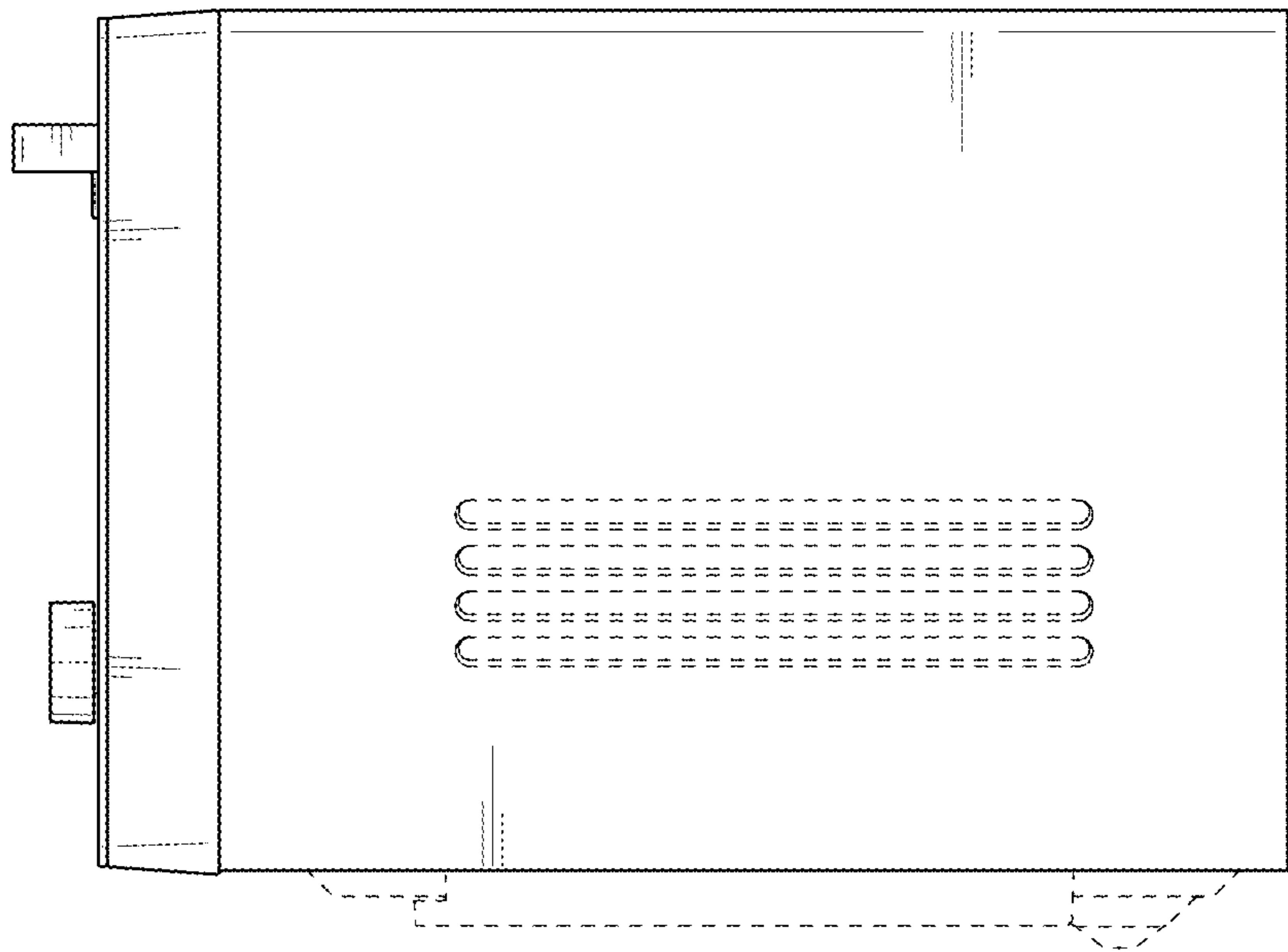


FIG. 6

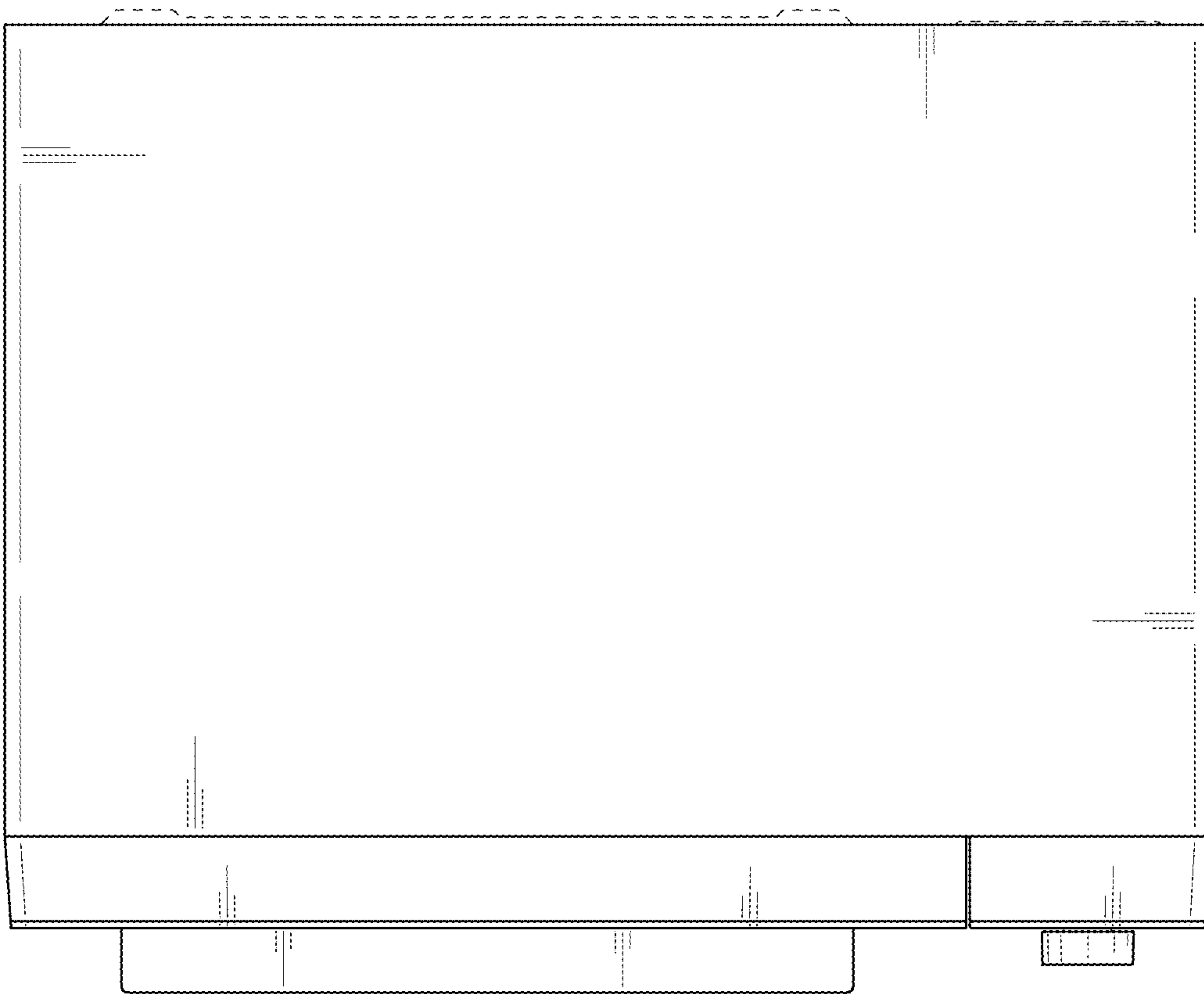


FIG. 7

