



US00D922123S

(12) **United States Design Patent** (10) **Patent No.:** **US D922,123 S**
Kim et al. (45) **Date of Patent:** **** Jun. 15, 2021**

(54) **GRIDDLE FOR OVEN RANGE**

(56) **References Cited**

(71) Applicant: **LG ELECTRONICS INC.**, Seoul (KR)
 (72) Inventors: **Sooyeon Kim**, Seoul (KR); **Hongsik Kwon**, Seoul (KR); **Suhyeon Son**, Seoul (KR); **Inhwan Ryu**, Seoul (KR); **Songyi Han**, Seoul (KR)
 (73) Assignee: **LG ELECTRONICS INC.**, Seoul (KR)

U.S. PATENT DOCUMENTS

D615,801 S	*	5/2010	Grey	D7/346
D616,696 S	*	6/2010	Grey	D7/346
D656,776 S	*	4/2012	Funnell, II	D7/340
D669,728 S	*	10/2012	Funnell, II	D7/340
D669,729 S	*	10/2012	Funnell, II	D7/340
D682,602 S	*	5/2013	Funnell, II	D7/340
D701,074 S	*	3/2014	Funnell, II	D7/340
D817,710 S	*	5/2018	Kim	D7/409
D847,567 S	*	5/2019	Grey	D7/409
D876,882 S	*	3/2020	Boltz	D7/363

(**) Term: **15 Years**

* cited by examiner

(21) Appl. No.: **35/509,200**

Primary Examiner — Michael A. Pratt

(22) Filed: **Oct. 23, 2019**

(74) *Attorney, Agent, or Firm* — Birch, Stewart, Kolasch & Birch, LLP

(80) **Hague Agreement Data**

Int. Filing Date: **Oct. 23, 2019**
 Int. Reg. No.: **DM/204759**
 Int. Reg. Date: **Oct. 23, 2019**
 Int. Reg. Pub. Date: **Apr. 24, 2020**

(57) **CLAIM**

The ornamental design for a griddle for oven range, as shown and described.

(30) **Foreign Application Priority Data**

Apr. 25, 2019 (KR) 30-2019-0019704

(51) **LOC (13) Cl.** **07-02**

(52) **U.S. Cl.**
USPC **D7/340**

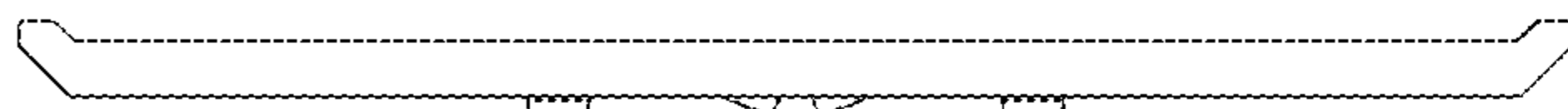
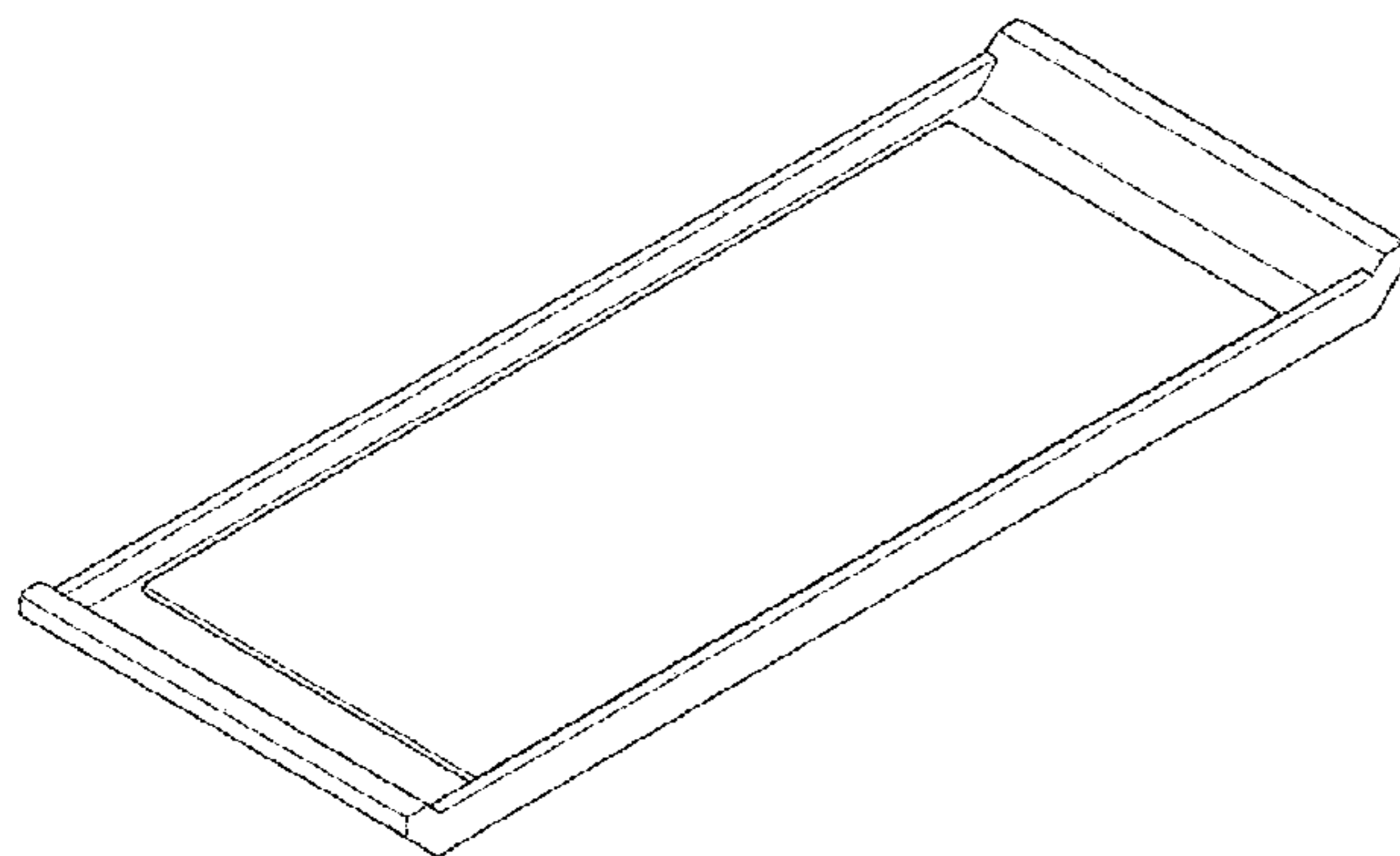
(58) **Field of Classification Search**
 USPC ... D7/339, 340, 341, 348, 350.1–350.4, 351, D7/402
 CPC F24C 15/024; F24C 15/162; F24C 15/022; F24C 15/00
 See application file for complete search history.

DESCRIPTION

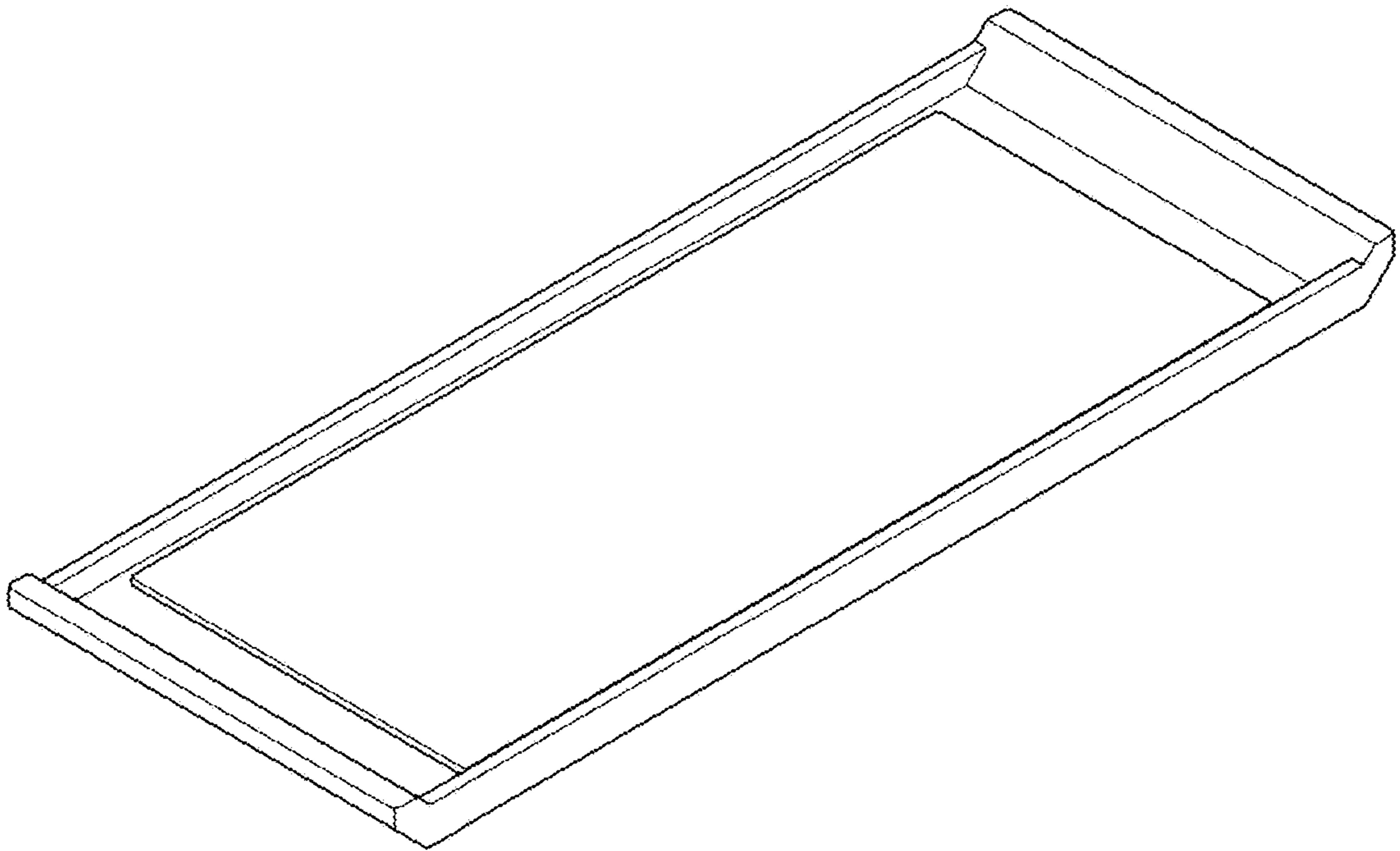
- 1. Griddle for oven range
- 1.1 : Perspective
- 1.2 : Front
- 1.3 : Back
- 1.4 : Left
- 1.5 : Right
- 1.6 : Top
- 1.7 : Bottom
- 1.8 : Reference

Reproduction **1.8** is a reference view showing the state in use of the claimed design and forms no part thereof.

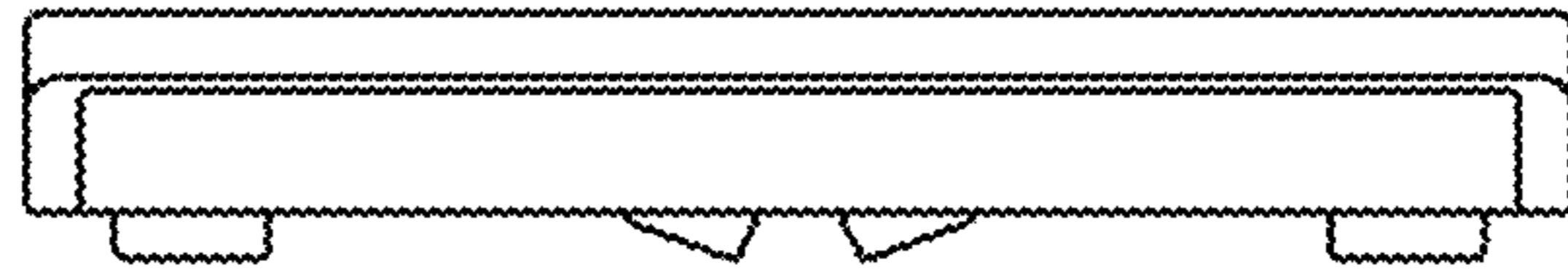
1 Claim, 8 Drawing Sheets



1.1



1.2



1.3



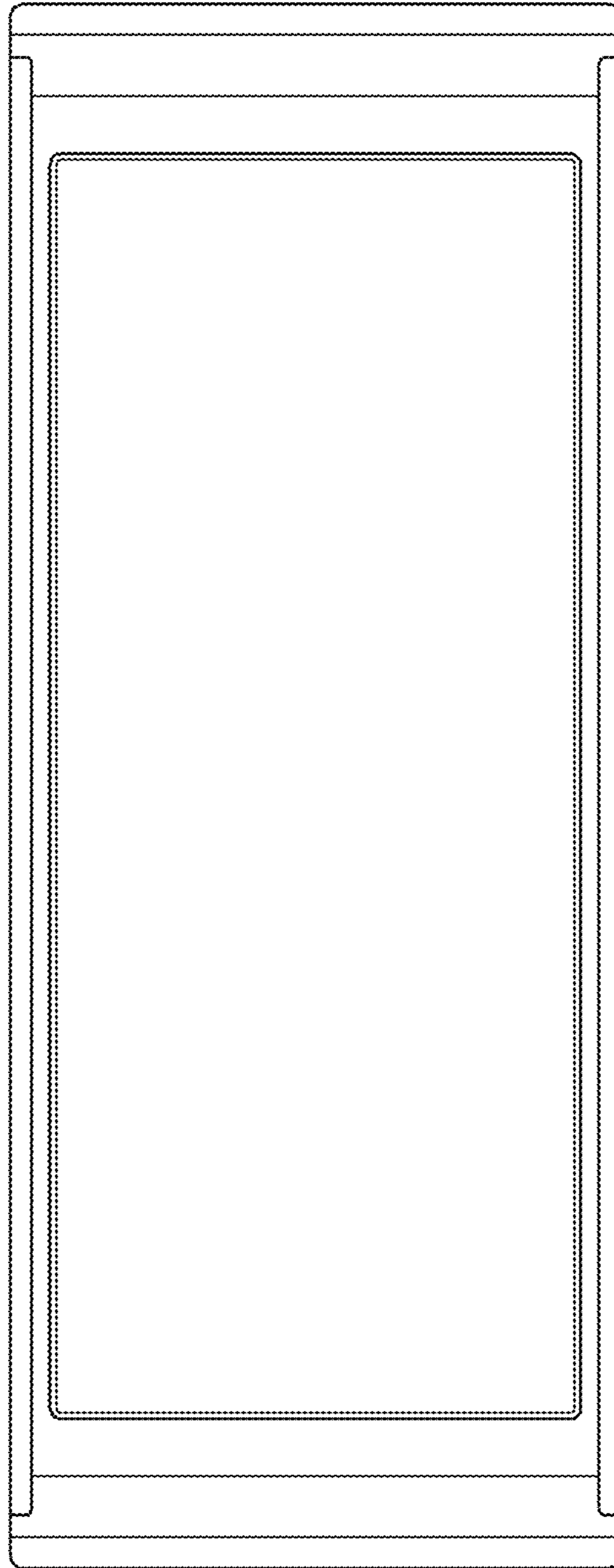
1.4



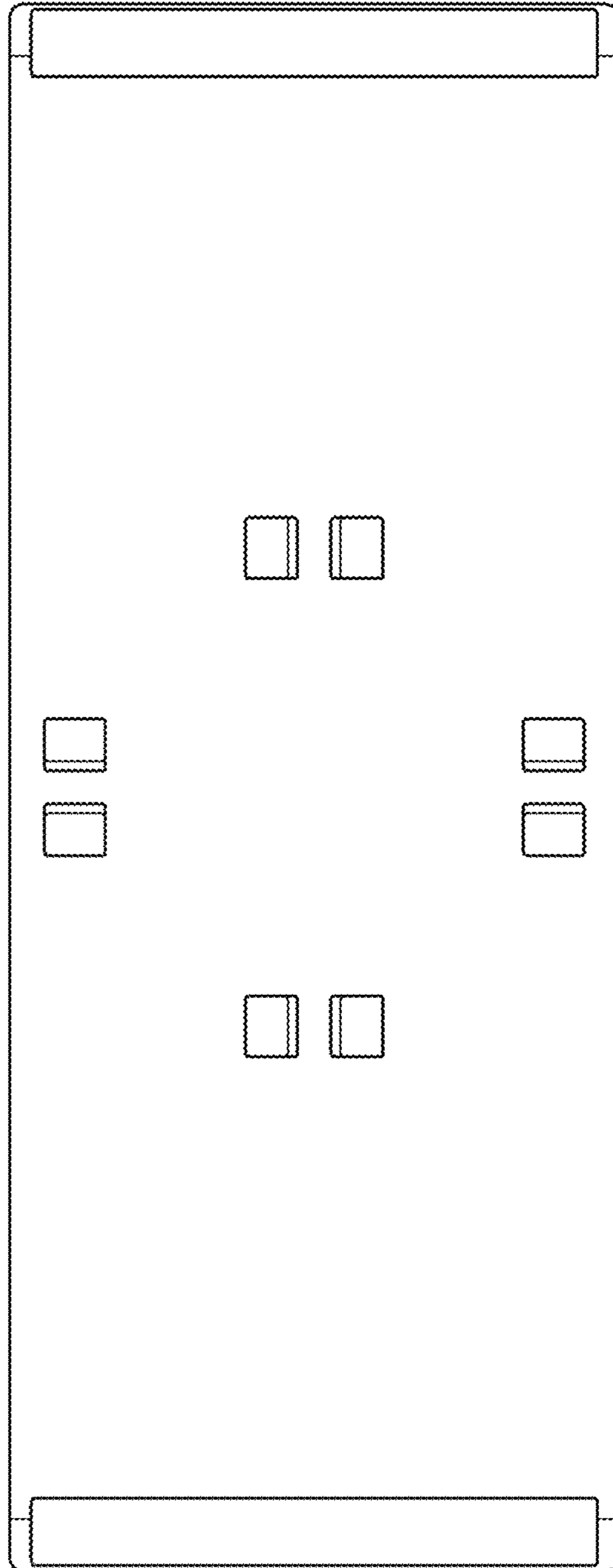
1.5



1.6



1.7



1.8

