



US00D922121S

(12) **United States Design Patent**
Park

(10) **Patent No.:** **US D922,121 S**

(45) **Date of Patent:** **** Jun. 15, 2021**

(54) **COOKING STOVE FOR CAMPING WITH INTEGRATED MOVABLE BOX AND TABLE**

(71) Applicant: **Soon Gyu Park**, Paju-si (KR)

(72) Inventor: **Soon Gyu Park**, Paju-si (KR)

(**) Term: **15 Years**

(21) Appl. No.: **35/509,202**

(22) Filed: **Jan. 20, 2020**

(80) **Hague Agreement Data**

Int. Filing Date: **Jan. 20, 2020**

Int. Reg. No.: **DM/207312**

Int. Reg. Date: **Jan. 20, 2020**

Int. Reg. Pub. Date: **Apr. 24, 2020**

(51) **LOC (13) Cl.** **07-02**

(52) **U.S. Cl.**
USPC **D7/334**

(58) **Field of Classification Search**
USPC D7/336, 337, 341
CPC A47J 36/26; A47J 37/0713; A47J
2037/0777; A47J 37/0786; F24B 1/202
See application file for complete search history.

(56) **References Cited**

U.S. PATENT DOCUMENTS

- 5,979,431 A * 11/1999 Hamilton A47J 37/0682
126/304 A
- D417,359 S * 12/1999 Dutro D7/332

- D462,562 S * 9/2002 Wood D7/332
- D871,822 S * 1/2020 Hussain D7/334
- D915,122 S * 4/2021 Veatch, III D7/337
- 10,966,569 B2 * 4/2021 O'Shaughnessy .. A47J 37/0786
- 2010/0089249 A1 * 4/2010 Giangrosso A47J 36/26
99/447
- 2010/0242943 A1 * 9/2010 Laporta A47J 37/0704
126/25 B
- 2021/0059469 A1 * 3/2021 Wong A47J 37/0754

* cited by examiner

Primary Examiner — Michael A. Pratt

(57) **CLAIM**

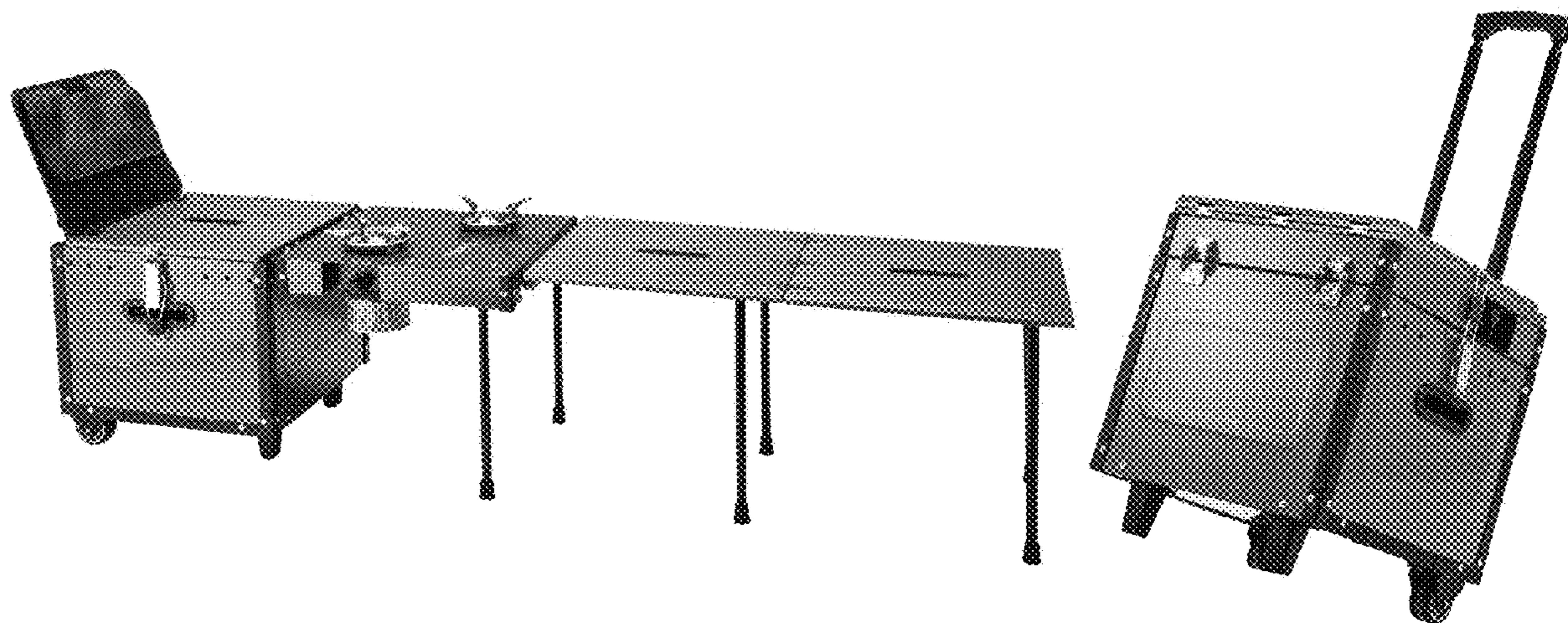
The ornamental design for a cooking stove for camping with integrated movable box and table, as shown and described.

DESCRIPTION

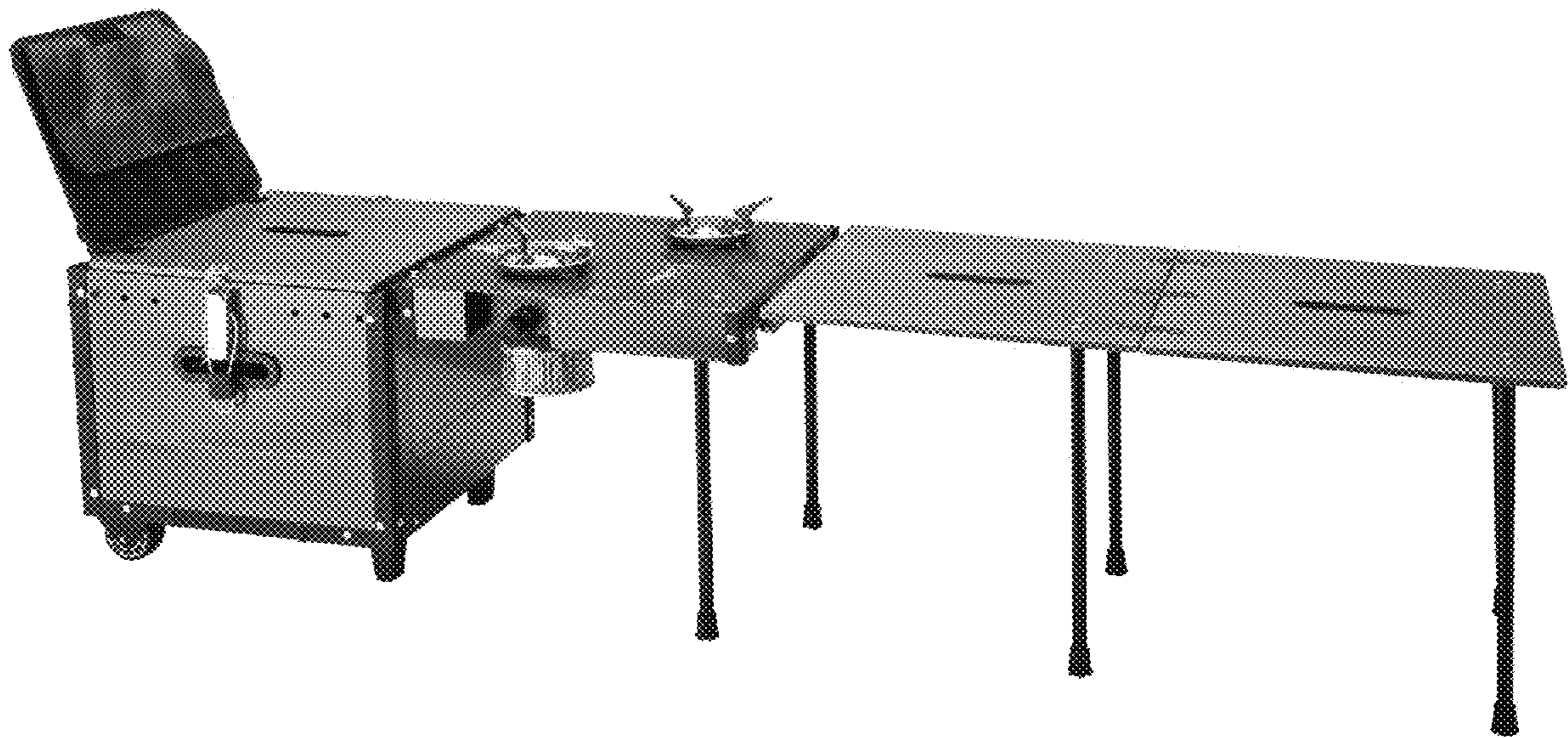
The patent or application file contains at least one drawing executed in color. Copies of this patent or patent application publication with color drawing(s) will be provided by the Office upon request and payment of the necessary fee.

1. Cooking stove for camping with integrated movable box and table
 - 1.1: Perspective.
 - 1.2: Perspective, shown in a closed position.
 - 1.3: Perspective, shown with handle extended.
 - 1.4: Enlarged Perspective view.

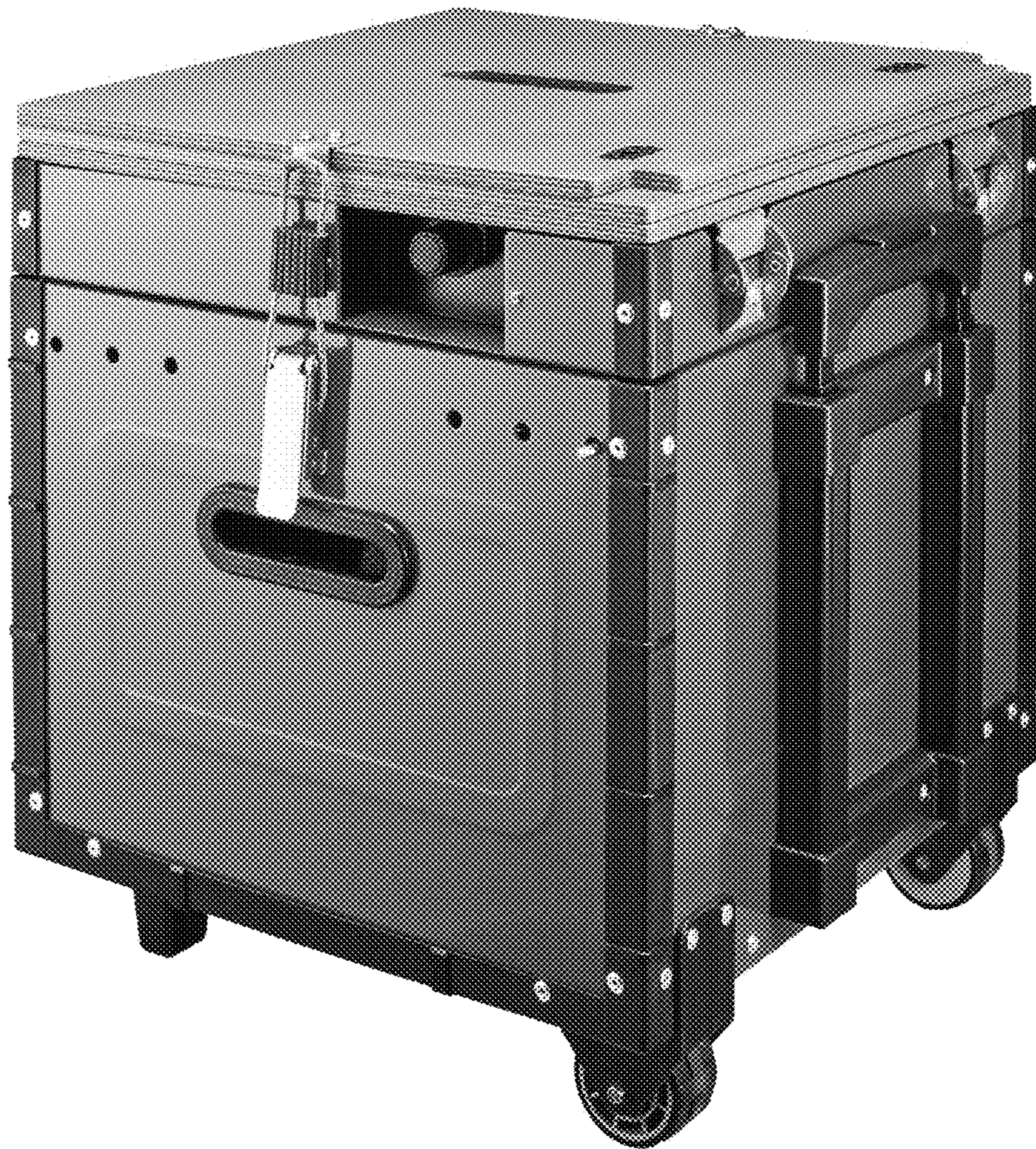
1 Claim, 4 Drawing Sheets
(4 of 4 Drawing Sheet(s) Filed in Color)



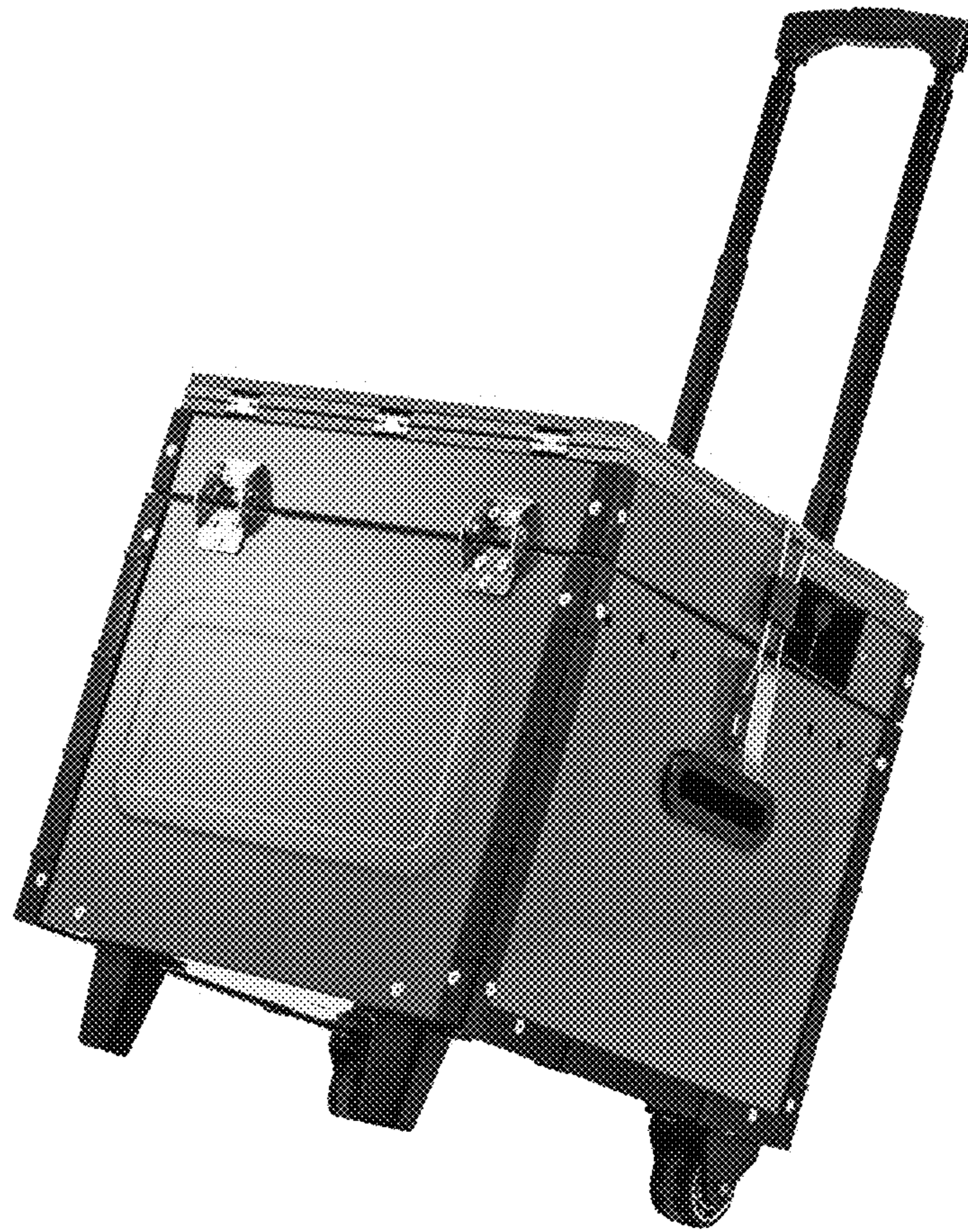
1.1



1.2



1.3



1.4

