



US00D922120S

(12) **United States Design Patent**
Patel

(10) **Patent No.:** **US D922,120 S**

(45) **Date of Patent:** **** Jun. 15, 2021**

(54) **BED FRAME**

(71) Applicant: **ATMIYA GLOBAL HOSPITALITY LLC**, West Columbia, SC (US)

(72) Inventor: **Dipak Patel**, West Columbia, SC (US)

(73) Assignee: **ATMIYA GLOBAL HOSPITALITY, LLC**, West Columbia, SC (US)

(**) Term: **15 Years**

(21) Appl. No.: **29/716,081**

(22) Filed: **Dec. 6, 2019**

(51) **LOC (13) Cl.** **06-06**

(52) **U.S. Cl.**
USPC **D6/718**

(58) **Field of Classification Search**
USPC D6/382, 383, 392, 393, 718
CPC A47C 19/00; A47C 19/005; A47C 19/021;
A47C 19/024; A47C 19/025; A47C
19/04; A47C 19/12; A47C 19/122
See application file for complete search history.

(56) **References Cited**

U.S. PATENT DOCUMENTS

D292,759 S *	11/1987	Pell	D6/392
D616,666 S *	6/2010	Rizzardo	D6/392
D653,047 S *	1/2012	Tekulve	A47C 19/024
				D6/382
D661,122 S *	6/2012	Kubiak	A47C 19/045
				D6/392
9,314,386 B1 *	4/2016	Boyd	A61G 7/015
10,285,506 B2 *	5/2019	Choi	A47C 19/025
10,561,251 B2 *	2/2020	Choi	A47C 19/025
10,561,252 B2 *	2/2020	Choi	A47C 19/024
10,563,684 B2 *	2/2020	Choi	F16C 11/04
10,602,852 B2 *	3/2020	Choi	A47C 19/024
10,694,860 B2 *	6/2020	Jin	A47C 19/122

(Continued)

Primary Examiner — Michael C Stout

Assistant Examiner — Katelin G Kloberg

(74) *Attorney, Agent, or Firm* — Schwartz Law Firm, P.C.

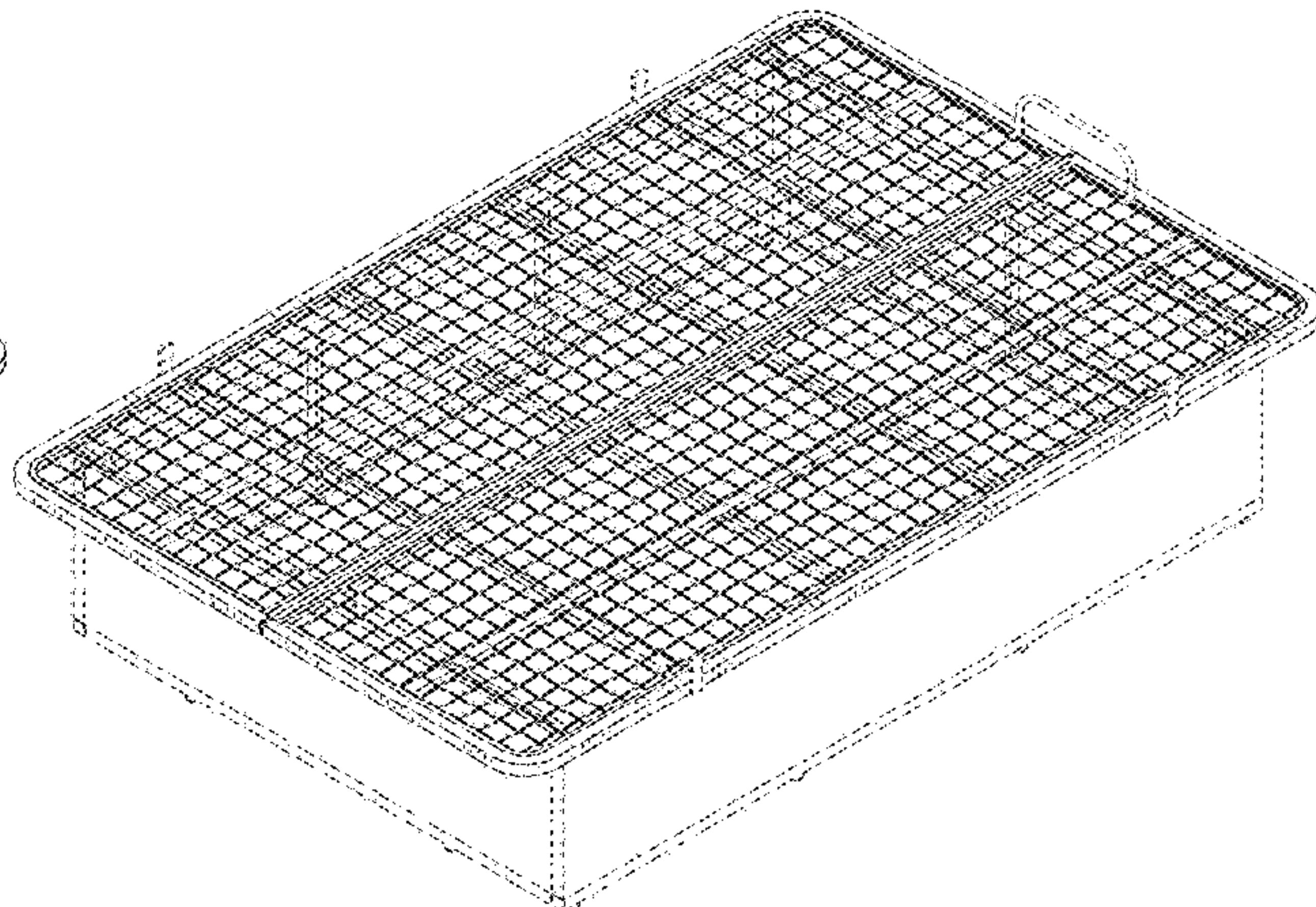
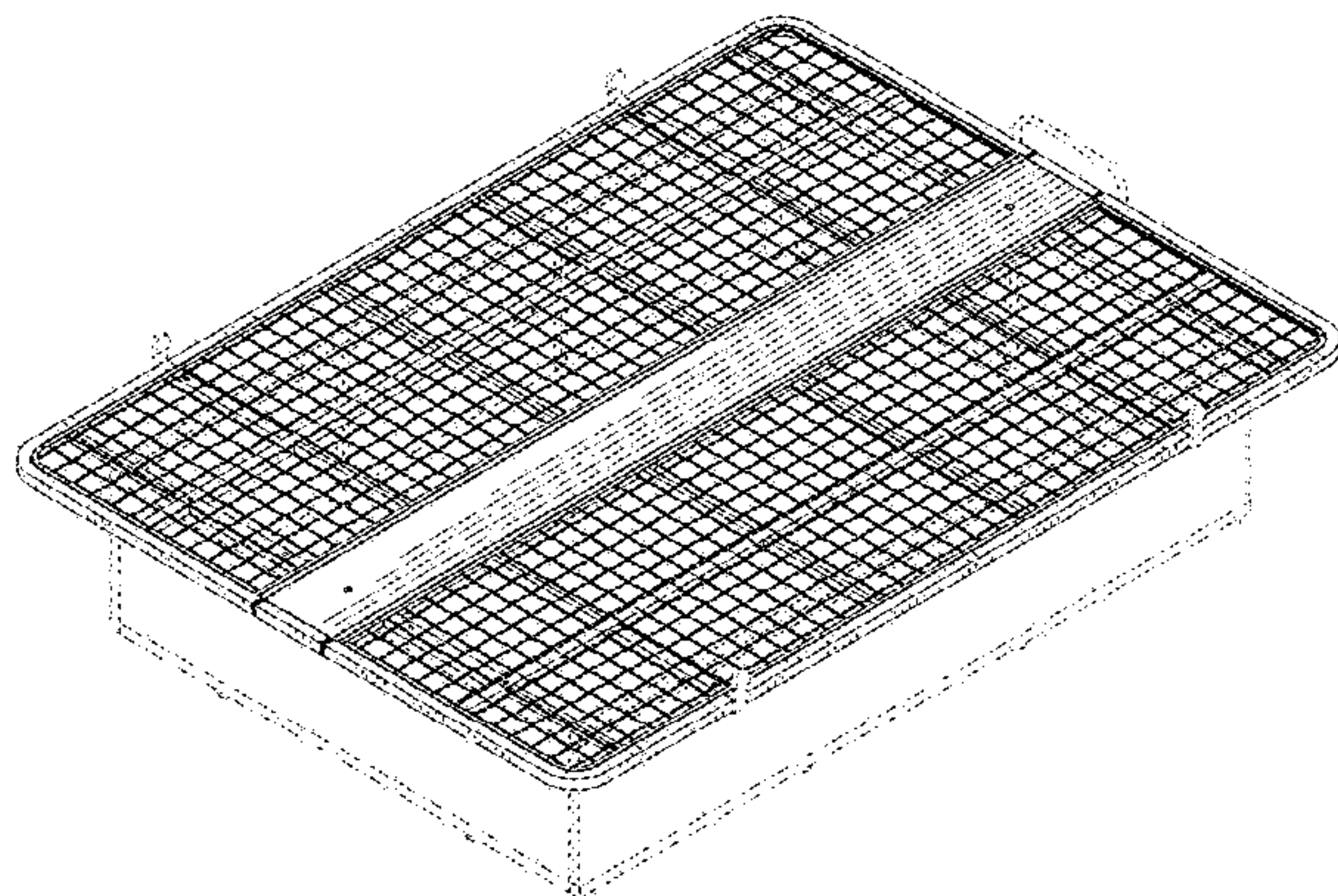
(57) **CLAIM**

I claim the ornamental design for a bed frame, as shown and described.

DESCRIPTION

FIG. 1 is a perspective view of a bed frame, showing a first embodiment of my new design;
 FIG. 2 is a top plan view thereof;
 FIG. 3 is a front elevation view thereof;
 FIG. 4 is a rear elevation view thereof;
 FIG. 5 is a right side view thereof;
 FIG. 6 is a perspective view thereof, including references for FIGS. 13-15;
 FIG. 7 is a perspective view of a bed frame, showing a second embodiment of my new design;
 FIG. 8 is a top plan view thereof;
 FIG. 9 is a front elevation view thereof;
 FIG. 10 is a rear elevation view thereof;
 FIG. 11 is a right side view thereof;
 FIG. 12 is a perspective view thereof, including references for FIGS. 16-18;
 FIG. 13 is an enlarged partial perspective view of detail 13 taken from FIG. 6;
 FIG. 14 is an enlarged partial perspective view of detail 14 taken from FIG. 6;
 FIG. 15 is an enlarged partial perspective view of detail 15 taken from FIG. 6;
 FIG. 16 is an enlarged partial perspective view of detail 16 taken from FIG. 12;
 FIG. 17 is an enlarged partial perspective view of detail 17 taken from FIG. 12; and,
 FIG. 18 is an enlarged partial perspective view of detail 18 taken from FIG. 12.
 Elements shown in the drawings in broken lines are included to illustrate portions of the bed frame that form no part of the claimed design.

1 Claim, 12 Drawing Sheets



(56)

References Cited

U.S. PATENT DOCUMENTS

2009/0100597 A1* 4/2009 Oh A47C 19/022
5/176.1
2009/0193583 A1* 8/2009 Lee A47C 19/04
5/176.1
2015/0320225 A1* 11/2015 Boyd A47C 19/04
5/202
2016/0157622 A1* 6/2016 Oh A47C 19/122
5/203
2017/0215598 A1* 8/2017 Choi A47C 19/045
2018/0332973 A1* 11/2018 Choi A47C 19/12
2019/0029435 A1* 1/2019 Choi A47C 19/024

* cited by examiner

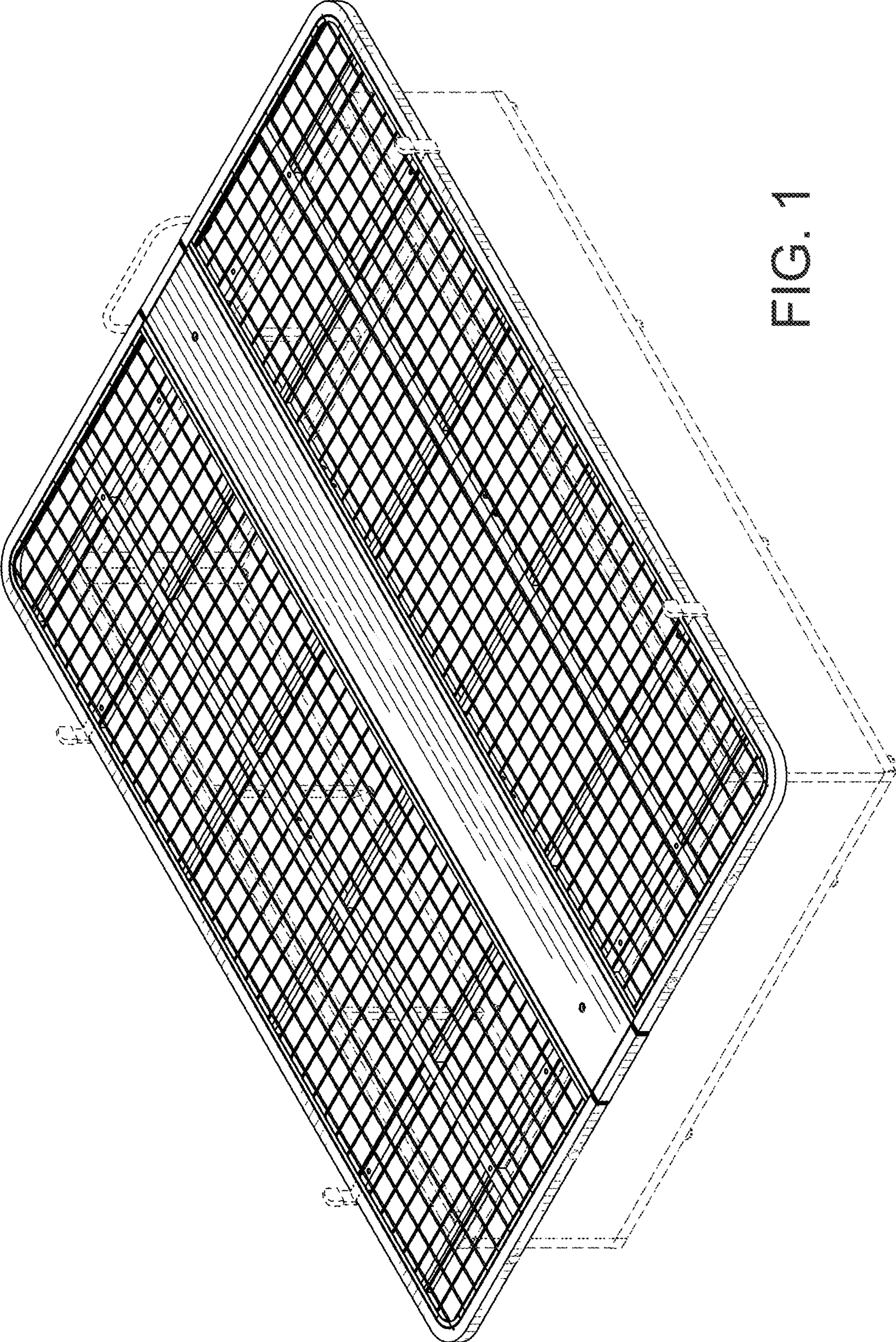


FIG. 1

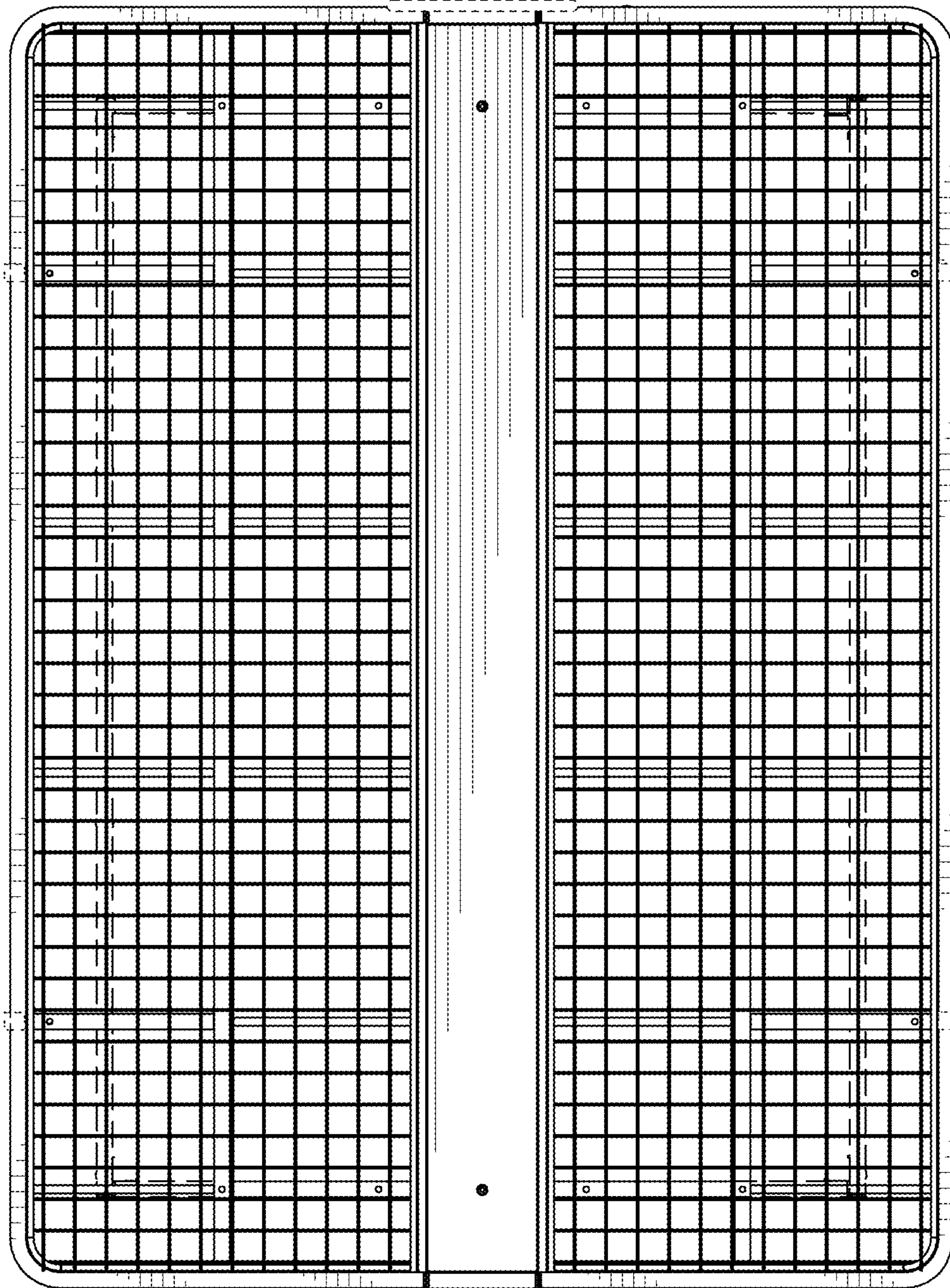


FIG. 2

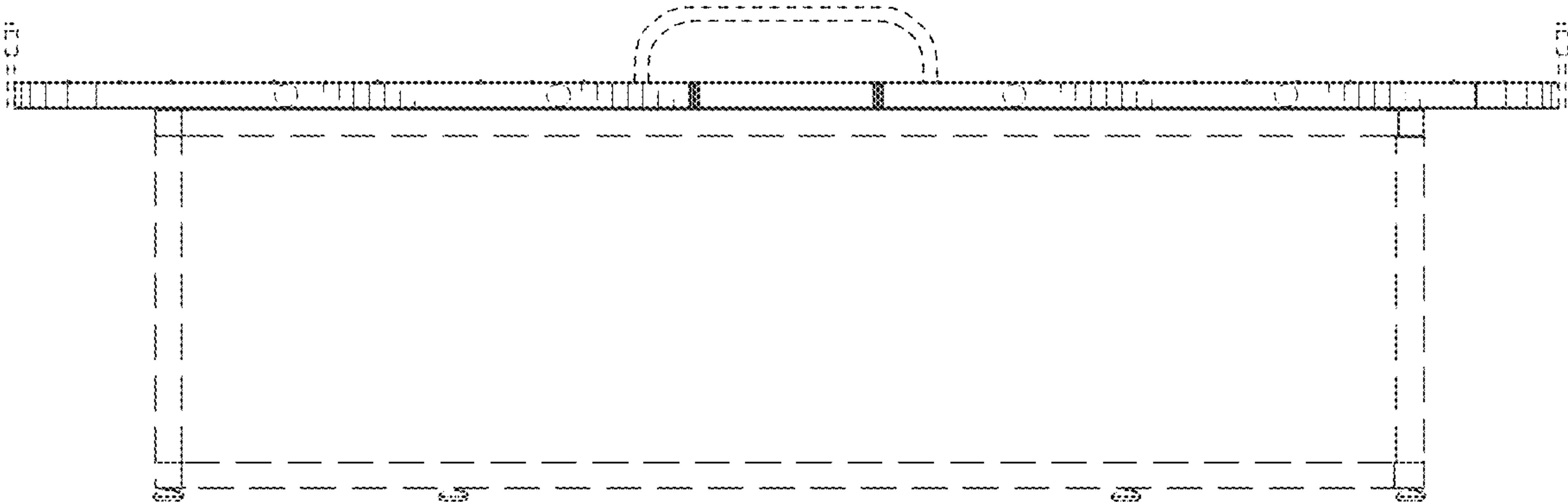


FIG. 3

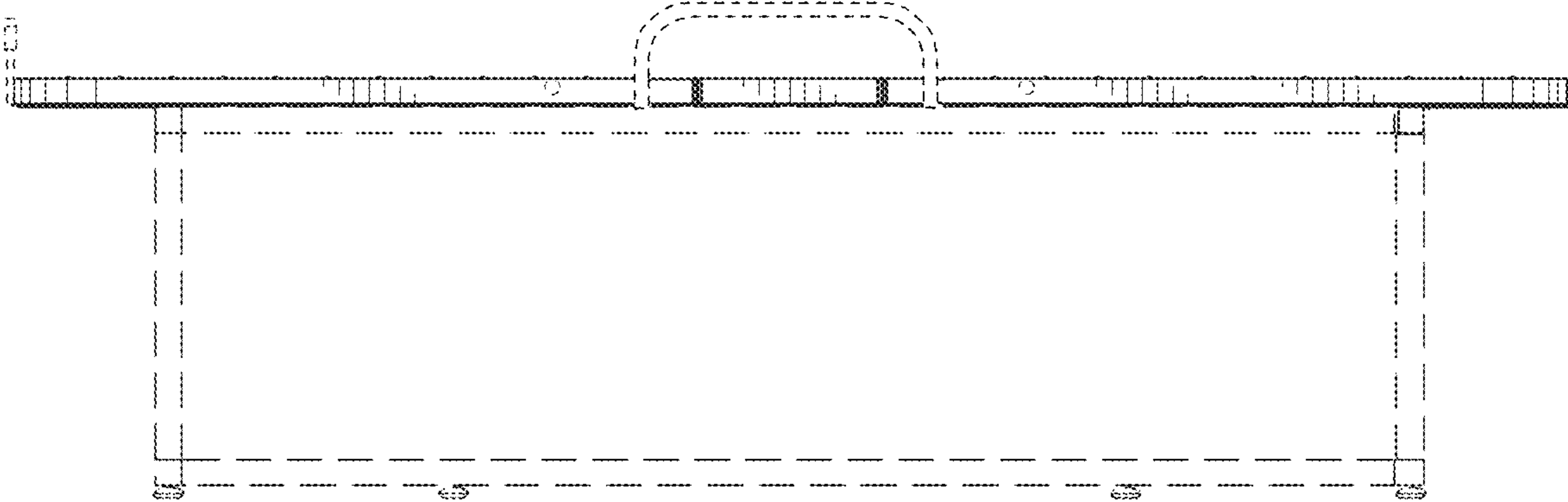


FIG. 4

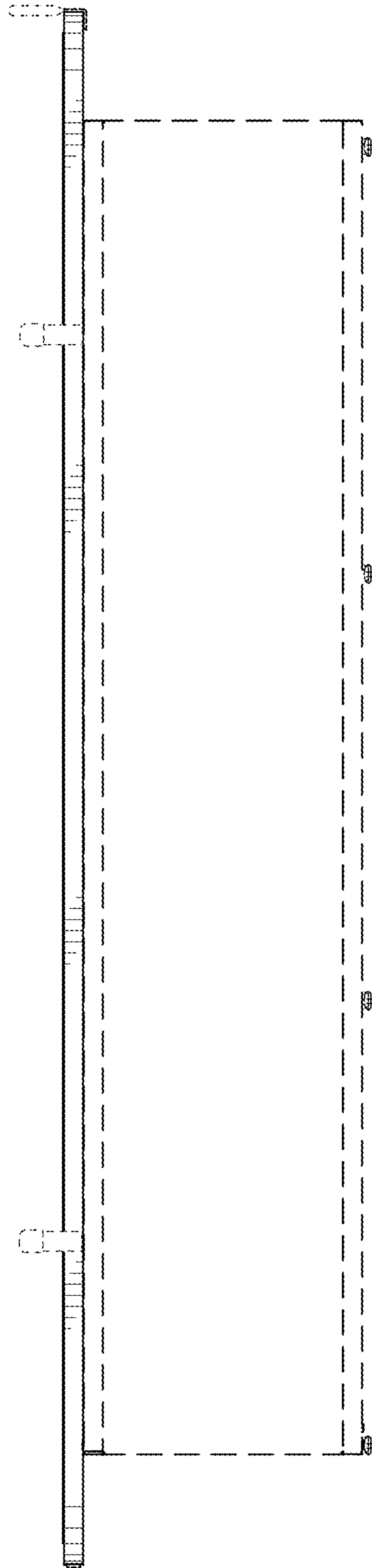


FIG. 5

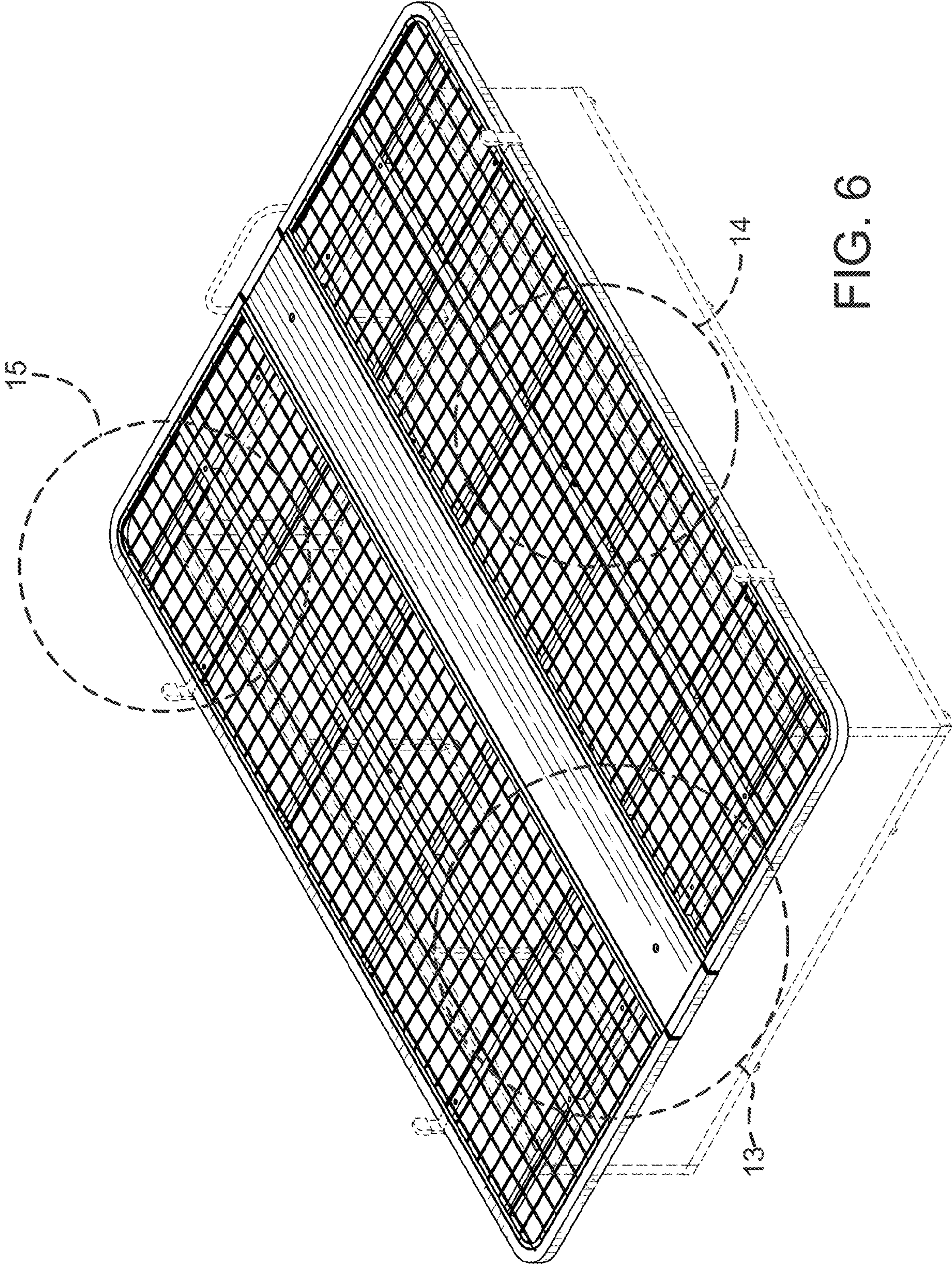


FIG. 6

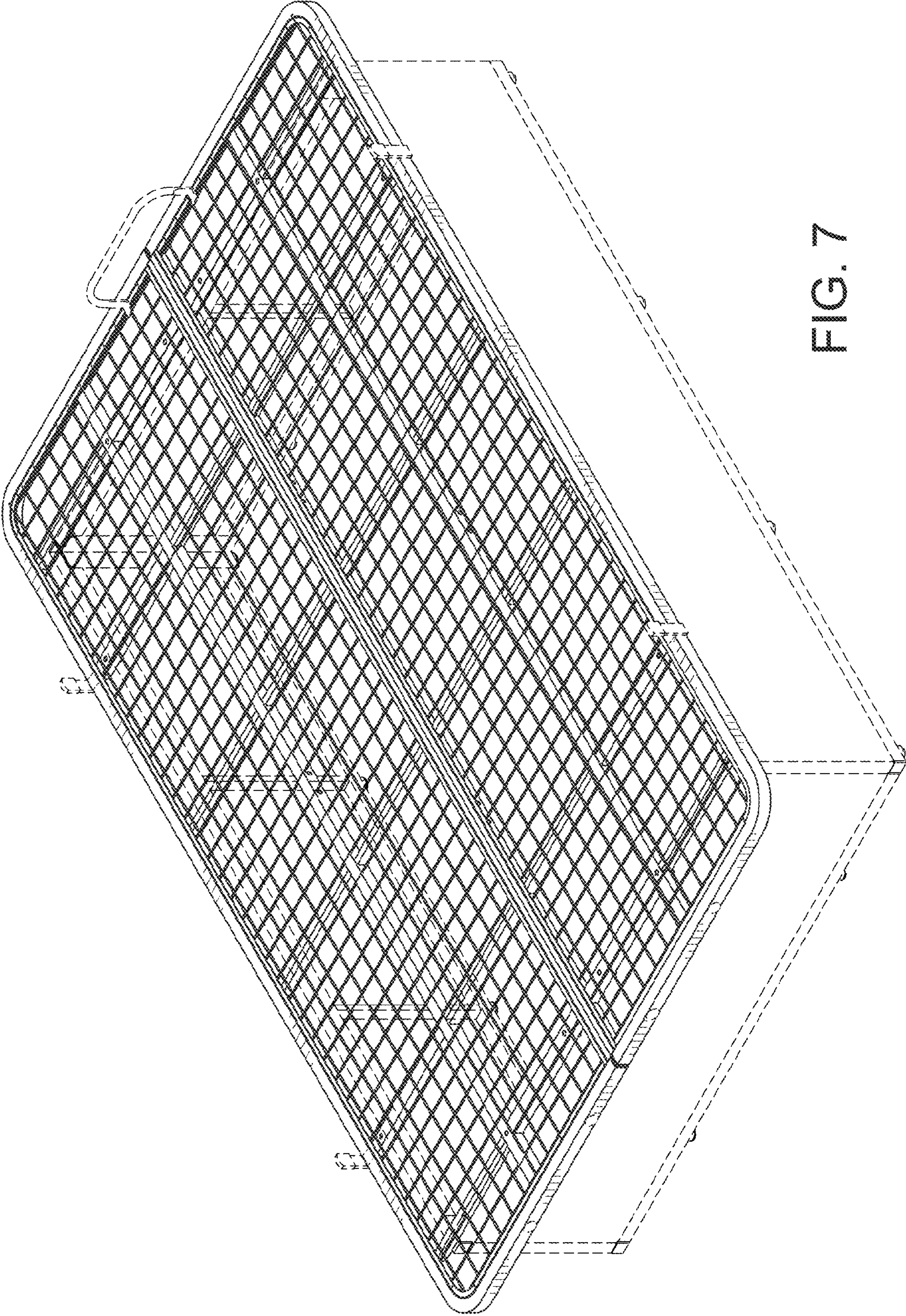


FIG. 7

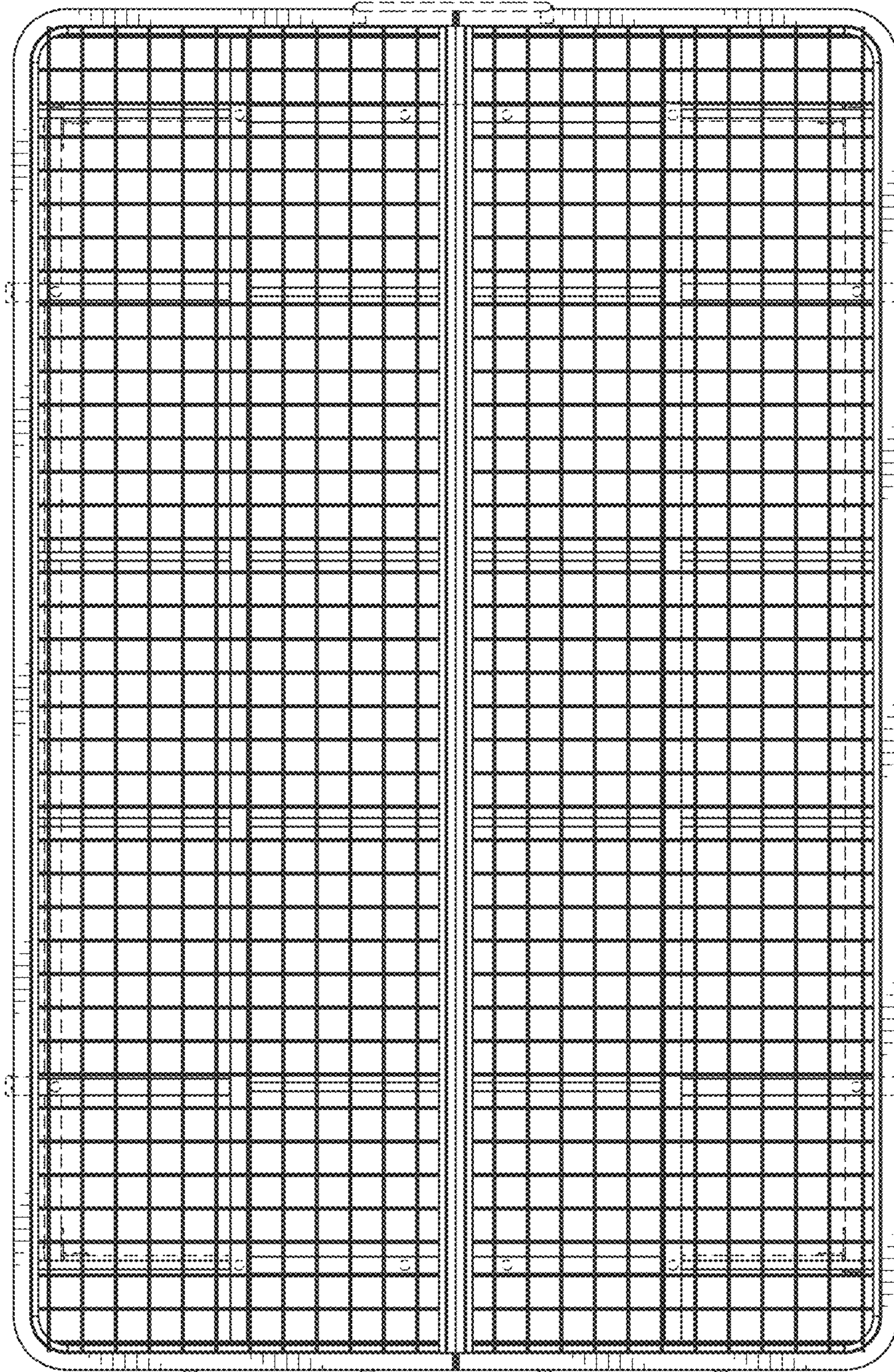


FIG. 8

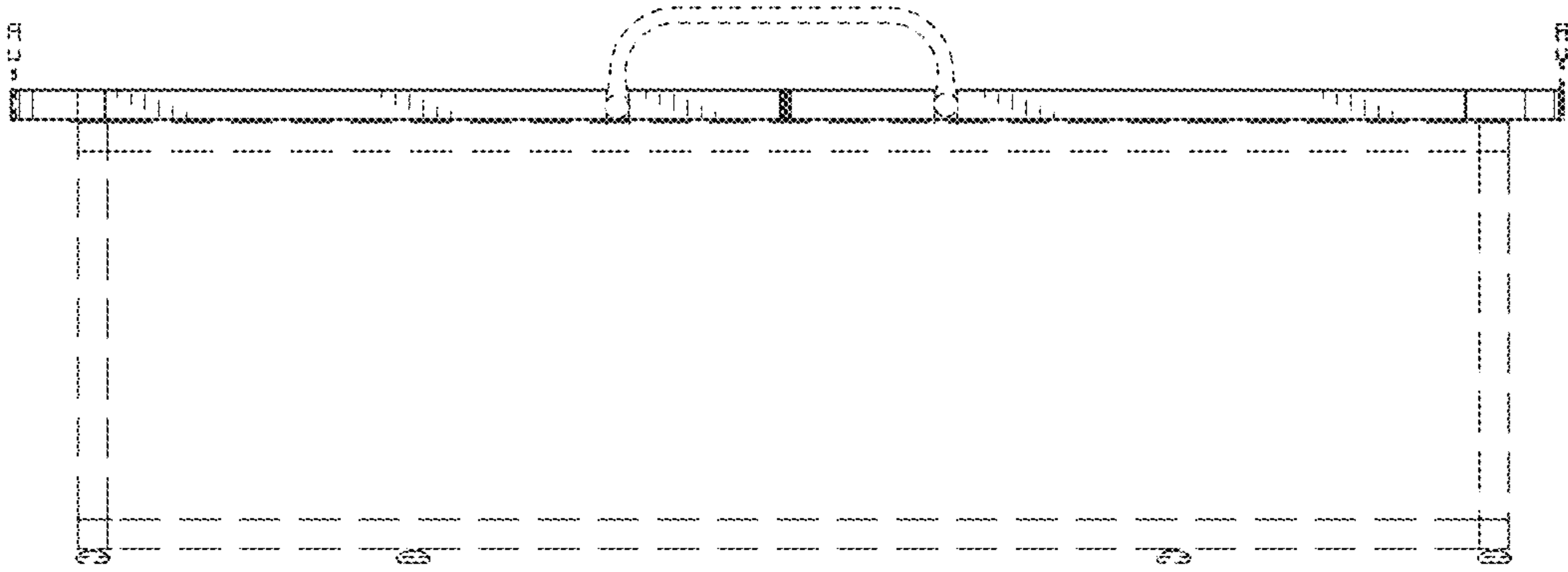


FIG. 9

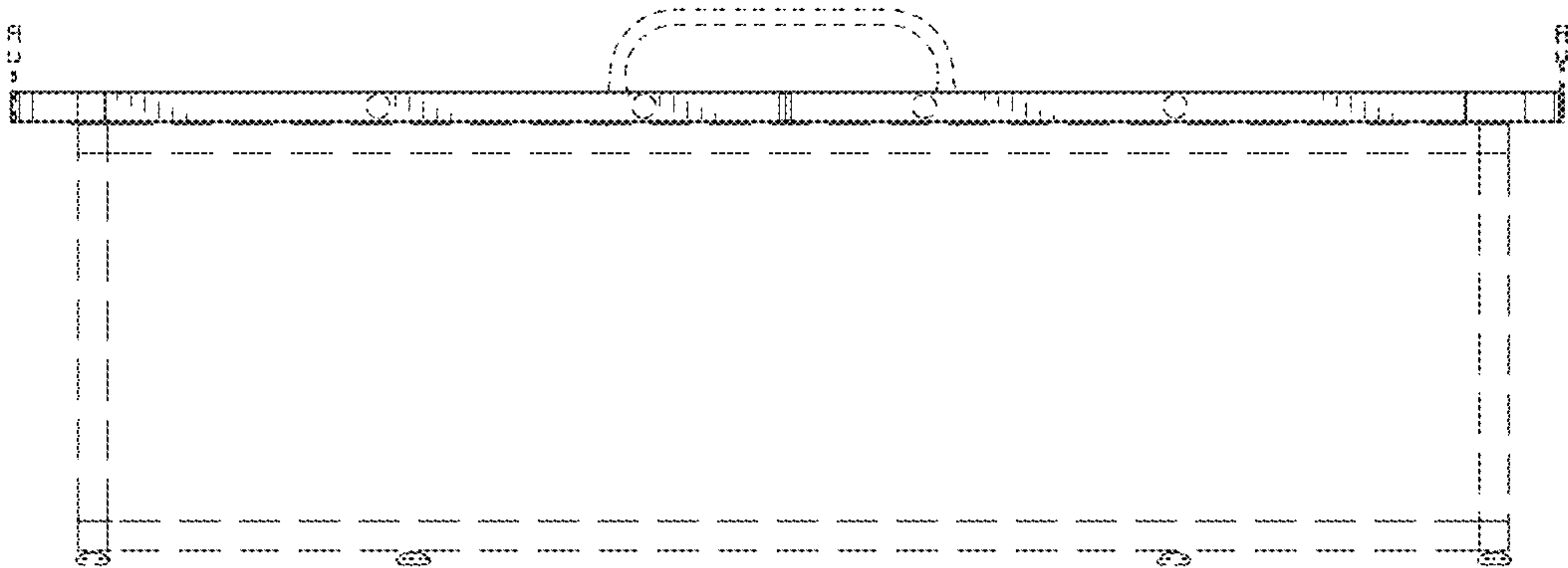


FIG. 10

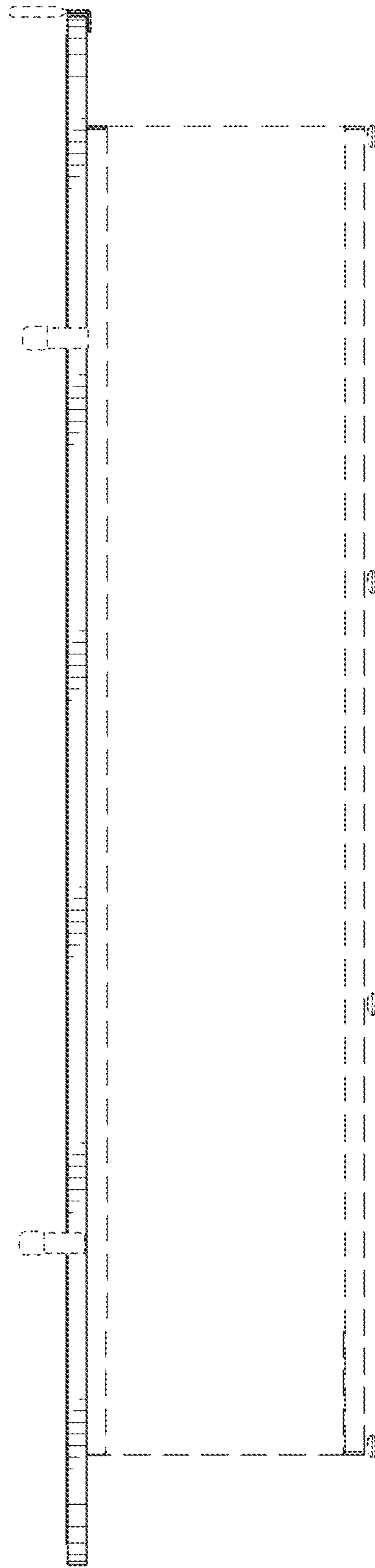


FIG. 11

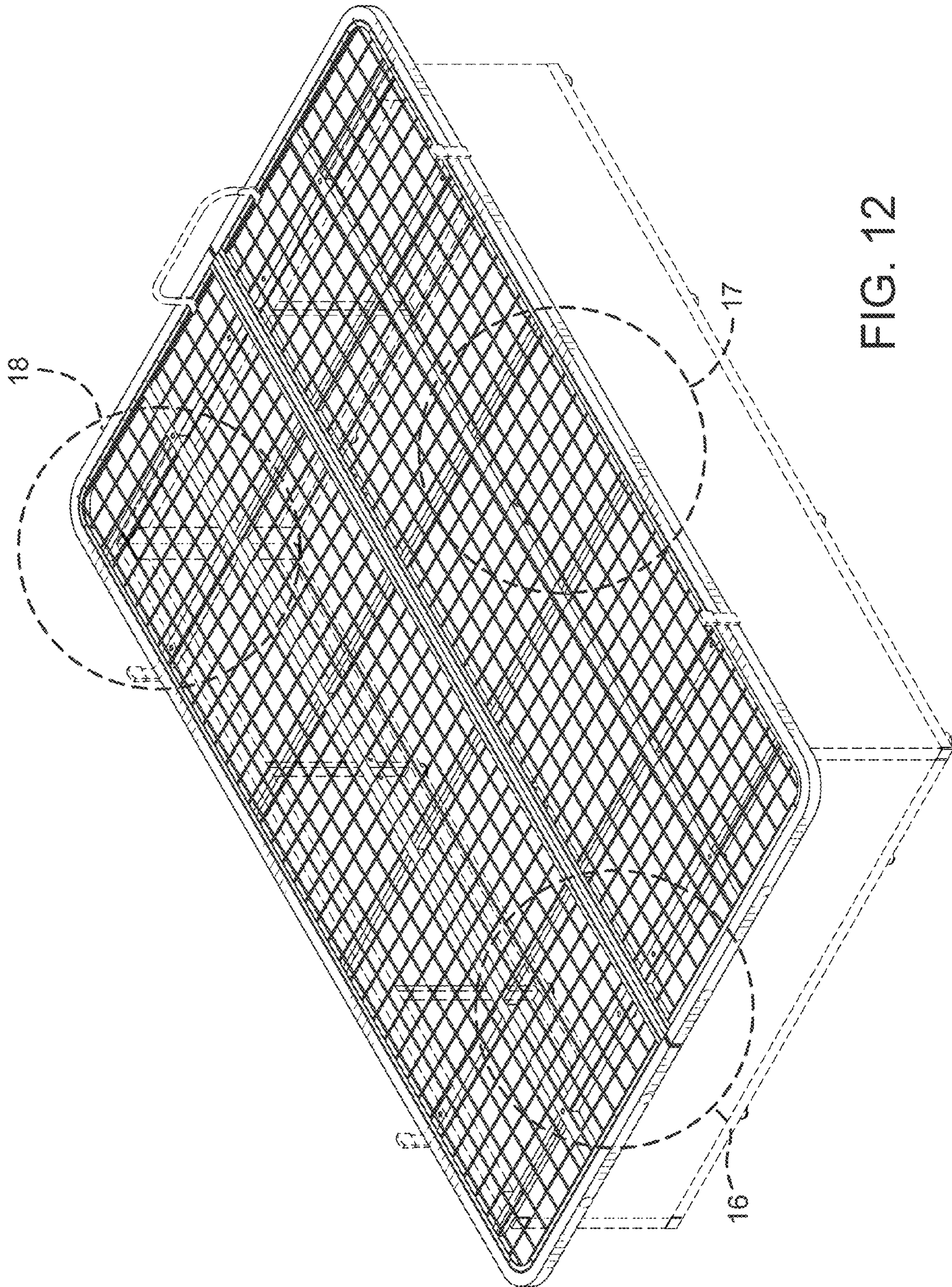


FIG. 12

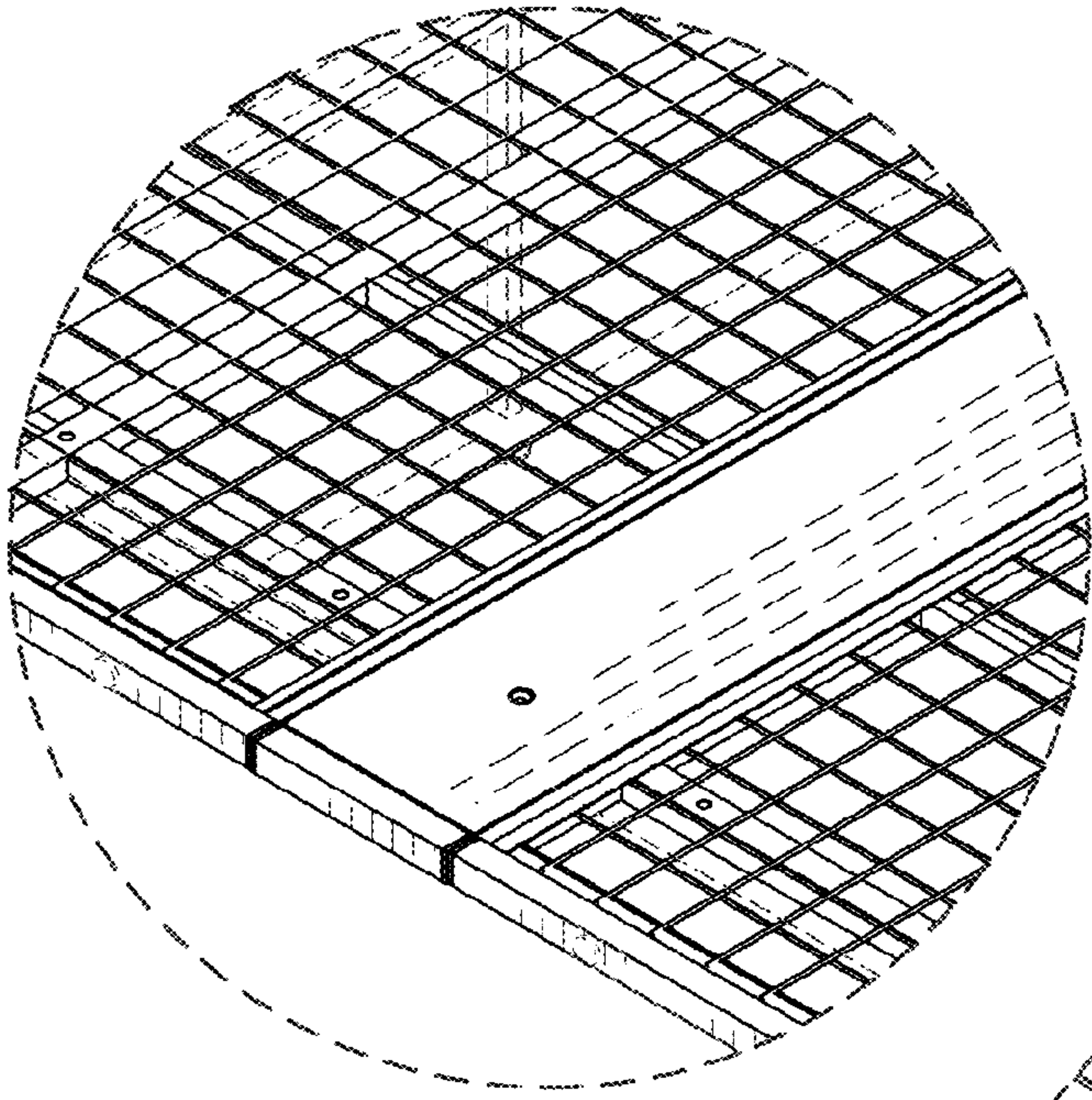


FIG. 13

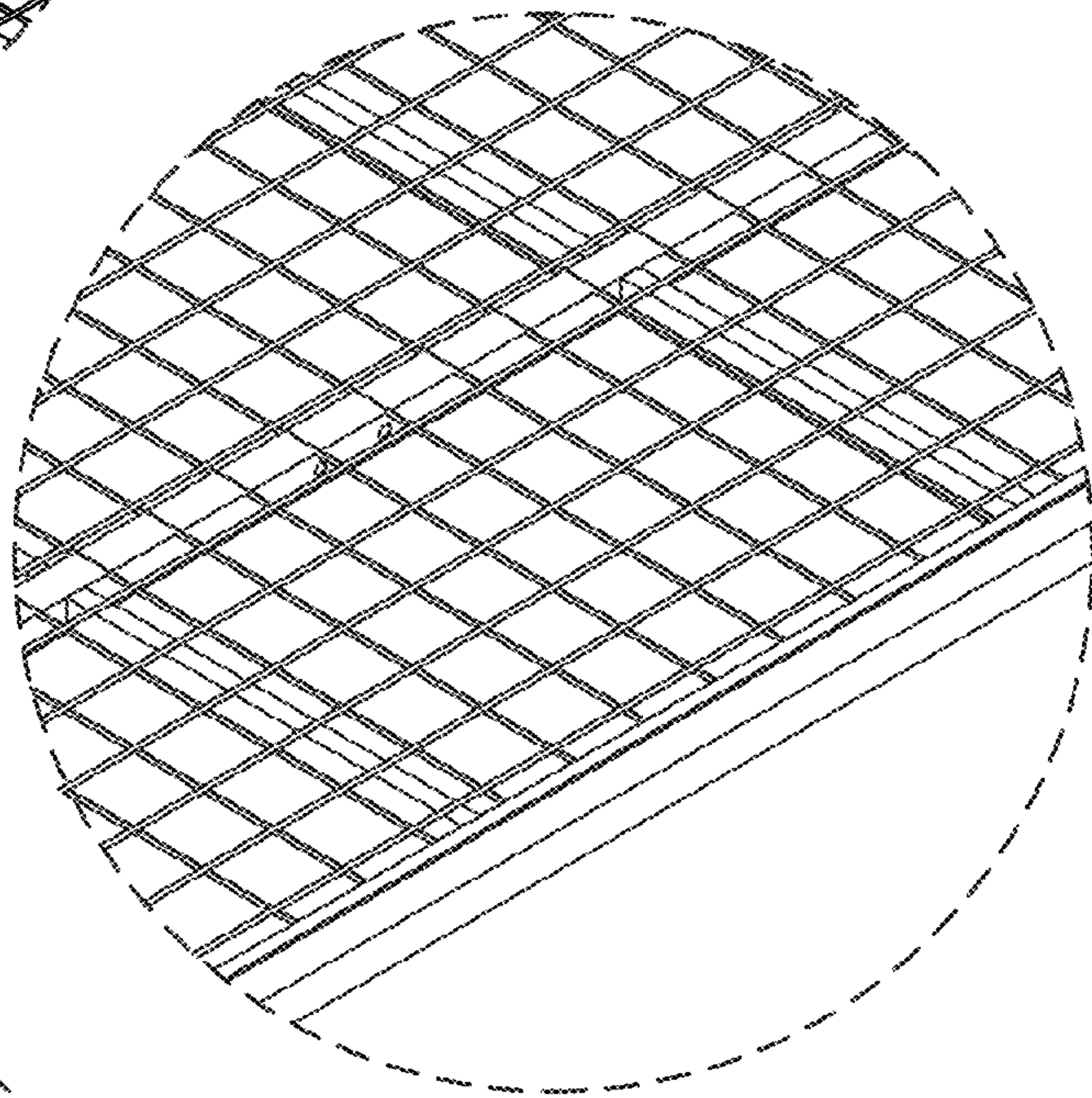


FIG. 14

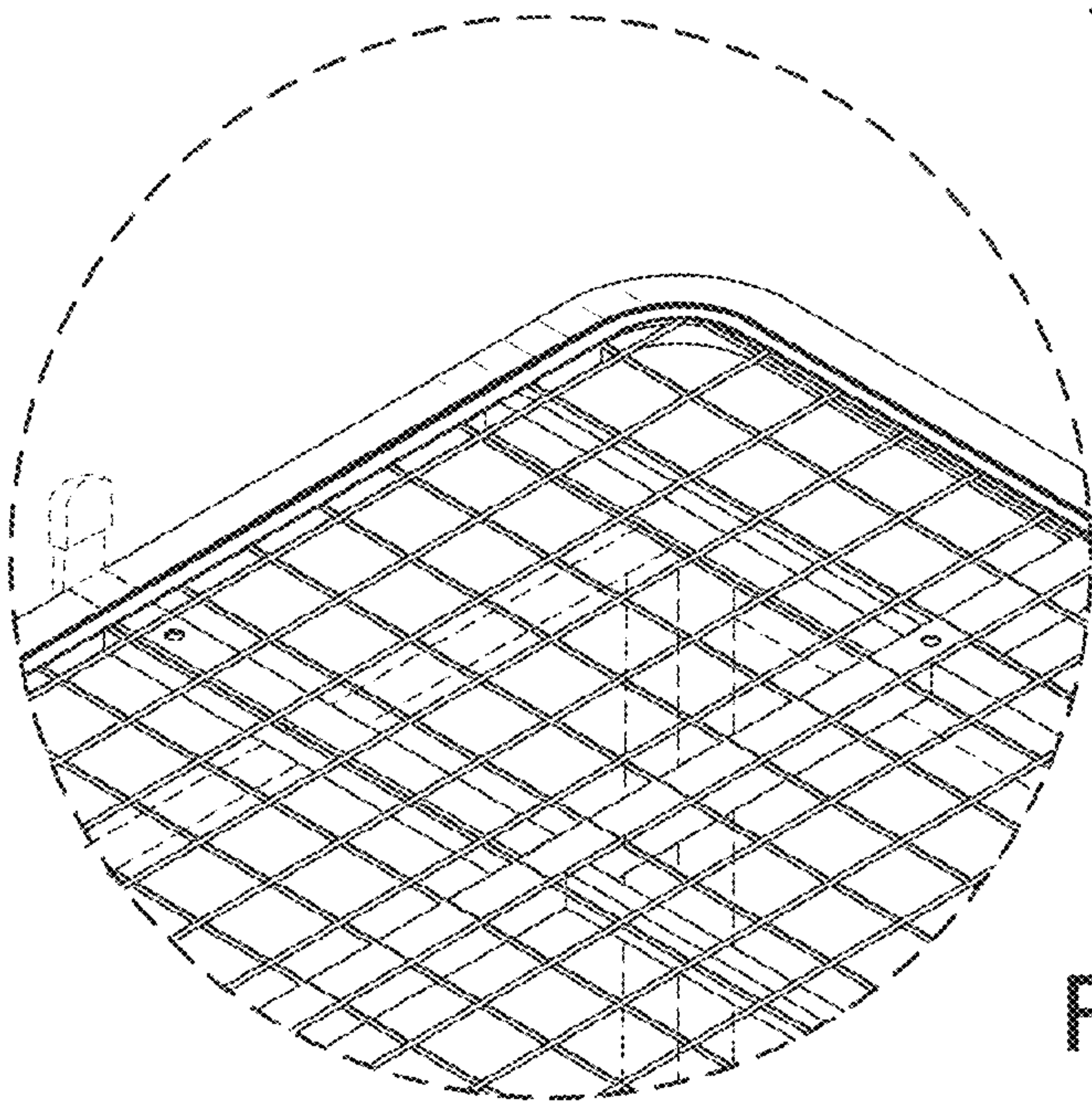


FIG. 15

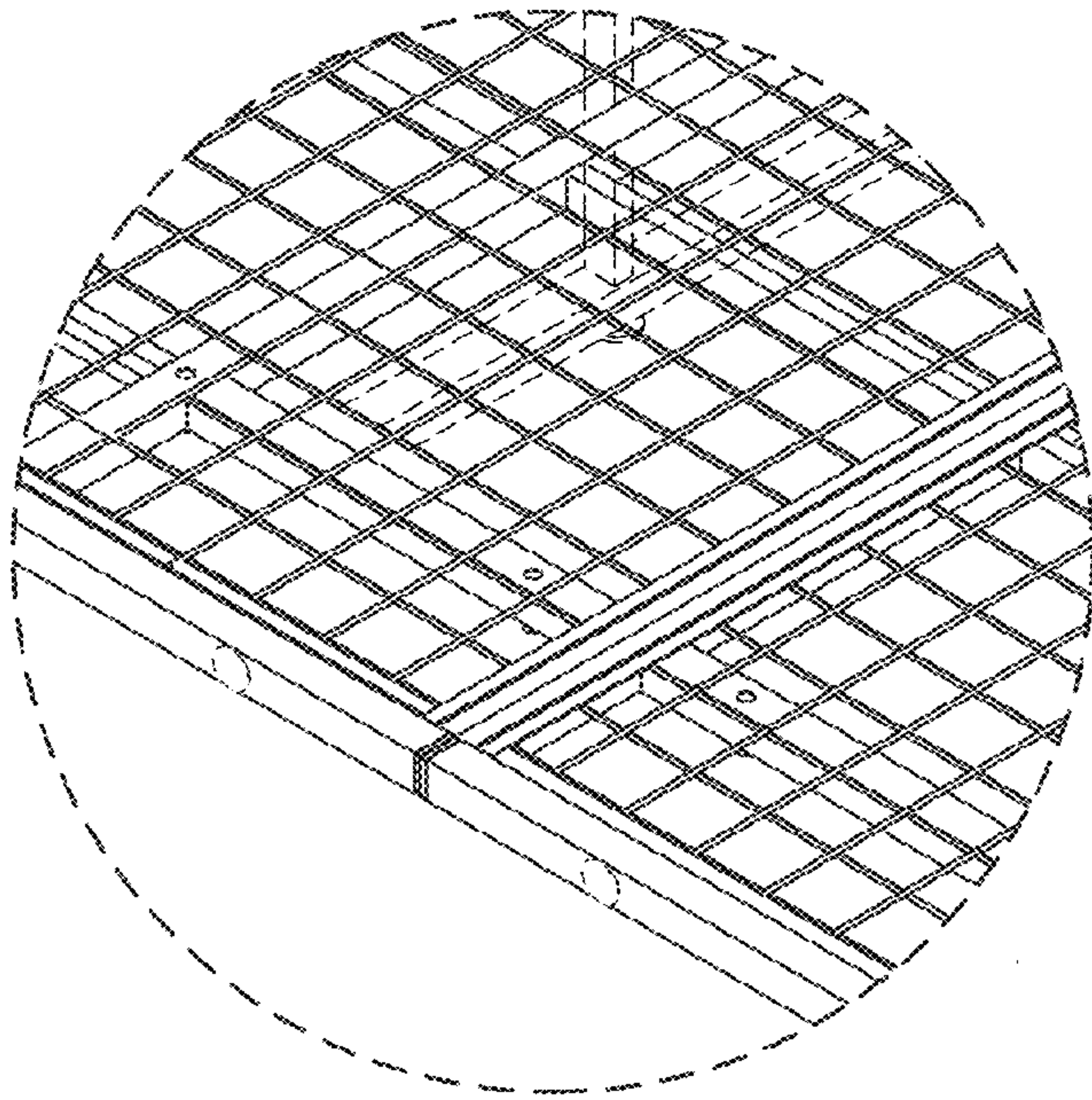


FIG. 16

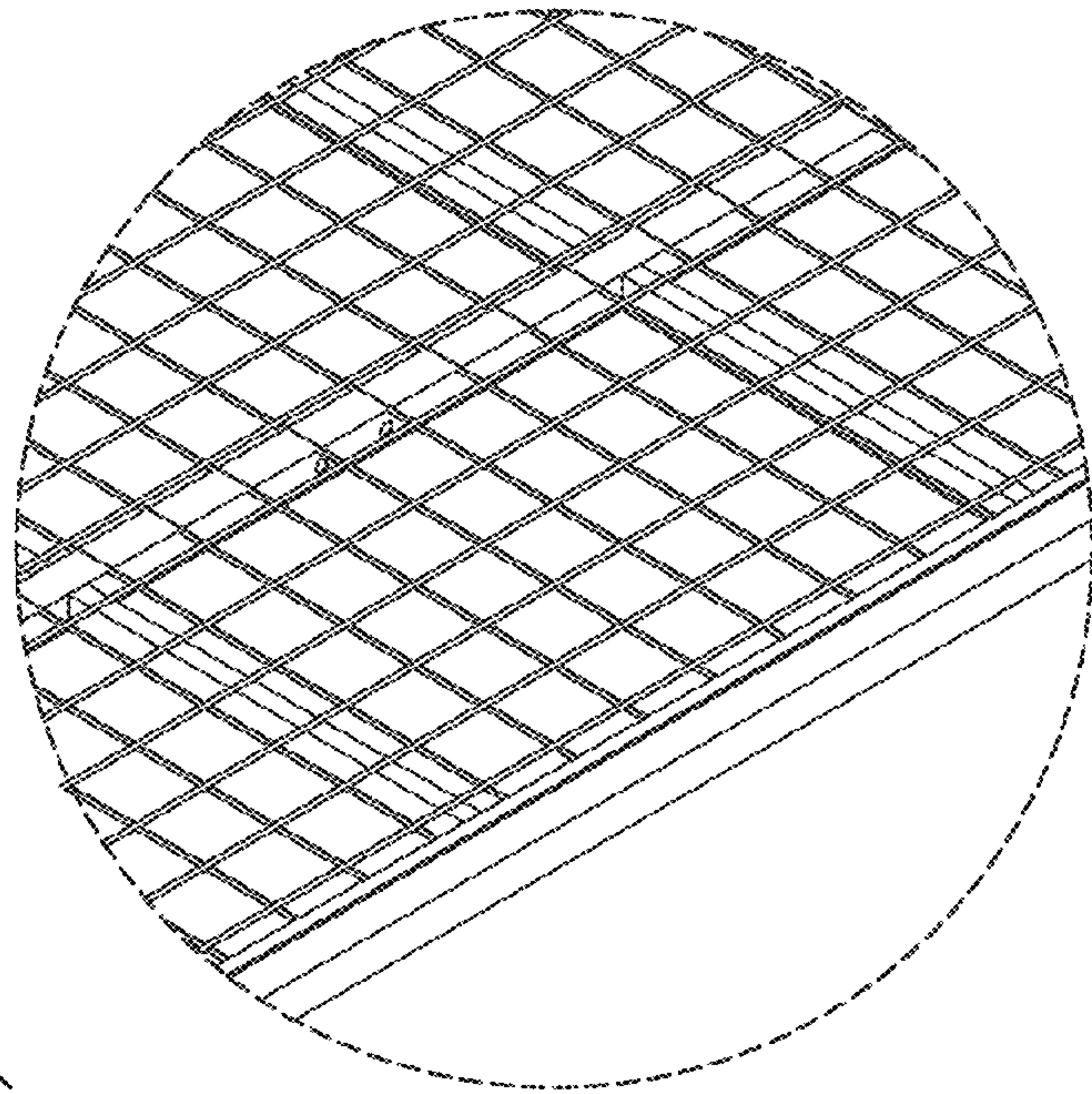


FIG. 17

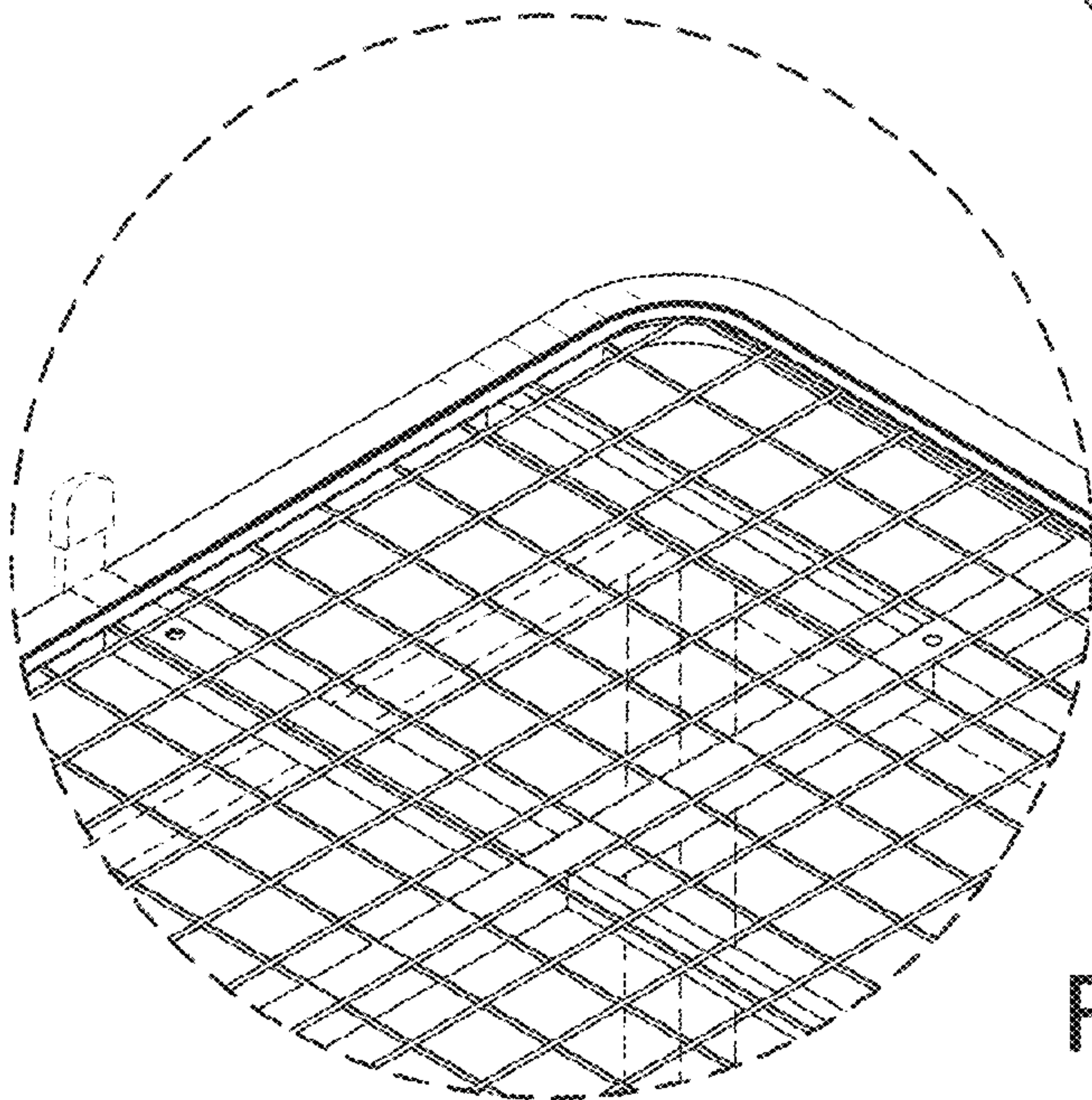


FIG. 18