



US00D922119S

(12) **United States Design Patent** (10) **Patent No.:** **US D922,119 S**
Shen (45) **Date of Patent:** **** Jun. 15, 2021**

(54) **INTERACTIVE DESK**
(71) Applicant: **Pathway Innovations and Technologies, Inc.**, San Diego, CA (US)
(72) Inventor: **Ji Shen**, San Diego, CA (US)
(73) Assignee: **Pathway Innovations and Technologies, Inc.**, San Diego, CA (US)
(**) Term: **15 Years**
(21) Appl. No.: **29/691,319**
(22) Filed: **May 15, 2019**
(51) **LOC (13) Cl.** **06-03**
(52) **U.S. Cl.**
USPC **D6/707.19**
(58) **Field of Classification Search**
USPC D6/640, 641, 642, 643, 643.1, 644, 645, D6/648, 648.1, 648.3, 648.4, 649, 650, D6/651, 652, 654, 654.1, 655, 655.1, D6/655.11, 655.12, 655.13, 655.14, D6/655.15, 655.16, 656, 656.1, 656.11, D6/656.16, 656.17, 656.18, 656.19, 668, D6/685, 688.11, 688.21, 688.27, 690, D6/695, 698, 691, 691.6, 696.1, 700, 707, D6/707.19, 707.24, 707.26, 708, 708.2, D6/708.21, 708.23, 709.22
CPC A47B 9/00; A47B 9/04; A47B 9/06; A47B 3/08; A47B 21/00; A47B 21/02; A47B 21/06; A47B 21/007; A47B 21/0314; A47B 2009/185; A47B 2200/0013; A47B 2200/0026; A47B 2200/0085; A47B 2200/0087
See application file for complete search history.

D300,490 S * 4/1989 Helstab D6/656.16
6,553,919 B1 * 4/2003 Nevin A47B 21/0073
108/25
D553,400 S * 10/2007 Kassanoff D6/707.19
D652,229 S * 1/2012 Madison D6/655
D715,300 S * 10/2014 Shen D14/423
D742,670 S * 11/2015 Lee D6/707
9,750,341 B2 * 9/2017 Riley A47B 21/0073
(Continued)

OTHER PUBLICATIONS

Elmo USA, Elmousa.com, Elmo Document Cameras, (Oct. 24, 2019), Syosset, NY, US available at <https://www.elmousa.com/all-products/>.

(Continued)

Primary Examiner — Mary Ann Calabrese
Assistant Examiner — Catherine Ho
(74) *Attorney, Agent, or Firm* — Insigne PC

(57) **CLAIM**

I claim the ornamental design for an interactive desk, as shown and described.

DESCRIPTION

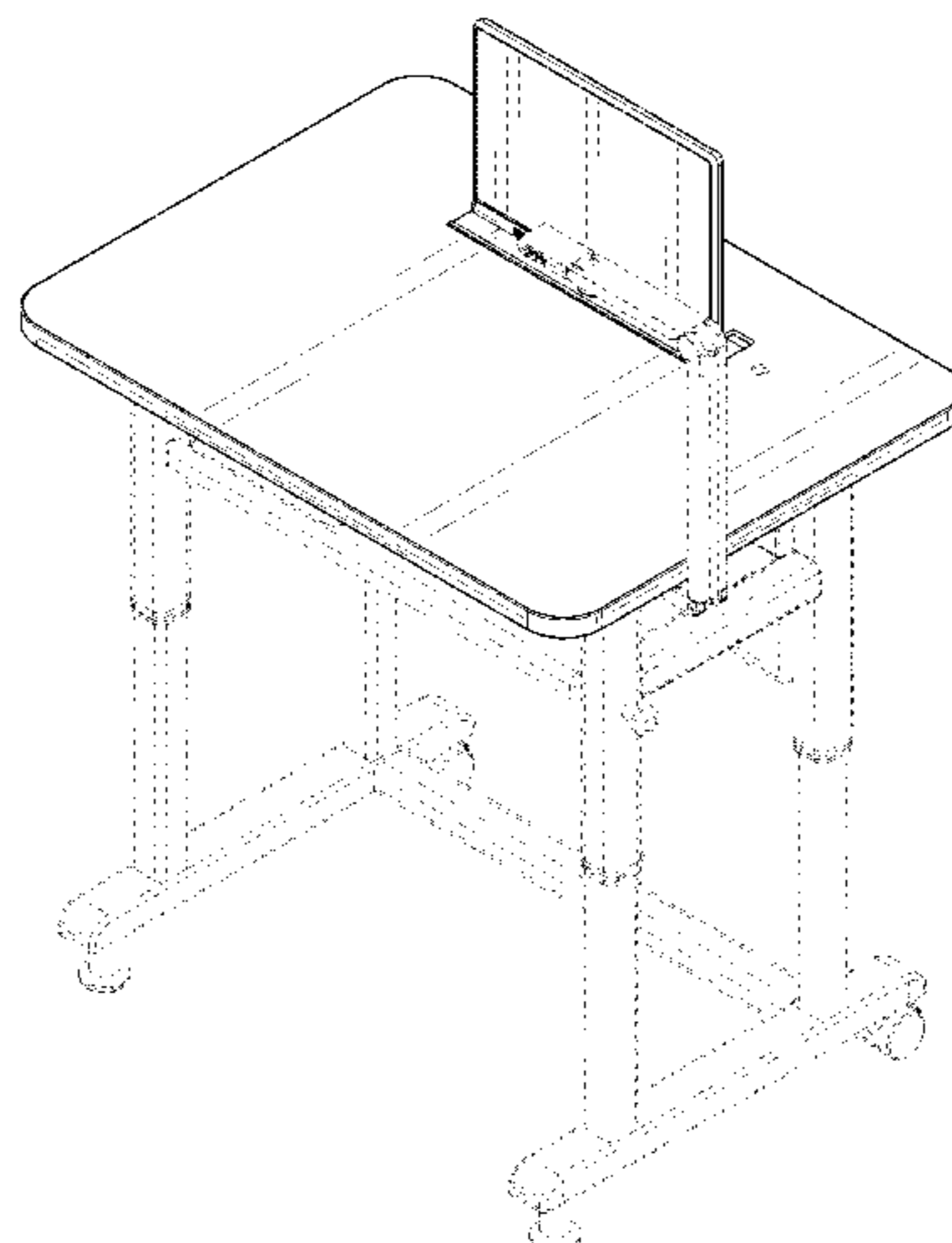
FIG. 1 is a perspective view of an interactive desk, showing my new design;
FIG. 2 is a front view thereof;
FIG. 3 is a rear view thereof;
FIG. 4 is a left view thereof;
FIG. 5 is a right view thereof;
FIG. 6 is a top view thereof; and,
FIG. 7 is a bottom view thereof.
The broken line portion of the figure drawings is included to show portions of the article that form no part of the claimed design.

1 Claim, 7 Drawing Sheets

(56) **References Cited**

U.S. PATENT DOCUMENTS

1,851,906 A * 3/1932 Henderson A47B 41/02
312/196
3,380,402 A * 4/1968 Simpson A47B 13/16
108/25



(56)

References Cited

U.S. PATENT DOCUMENTS

2007/0000414 A1* 1/2007 Riddiford A47B 21/00
108/50.01
2008/0072803 A1* 3/2008 Korber A47B 21/00
108/50.01
2017/0235535 A1* 8/2017 Shen H04N 1/00267
345/173
2018/0173358 A1* 6/2018 Shen G06F 3/0414

OTHER PUBLICATIONS

Tecom Electronics Ltd, Tecpodium.com, TecPodium Products, (Oct. 24, 2019), Orlando, FL, US available at <http://www.tecpodium.com/prime.aspx>.

Smartmedia USA, Smartmediaworld.net, Smartmedia Products, (Oct. 24, 2019), Miami, FL, US available at <http://www.smartmediaworld.net/products/interactive-digital-podium-lectern-kiosk.html>.

EDU Assessment Pvt., Podiums.co.in, Edu Assessment Pvt. Ltd. Products, (Oct. 24, 2019), Dwarka Mor, New Delhi, IN available at <https://www.podiums.co.in/index.html#products>.

* cited by examiner

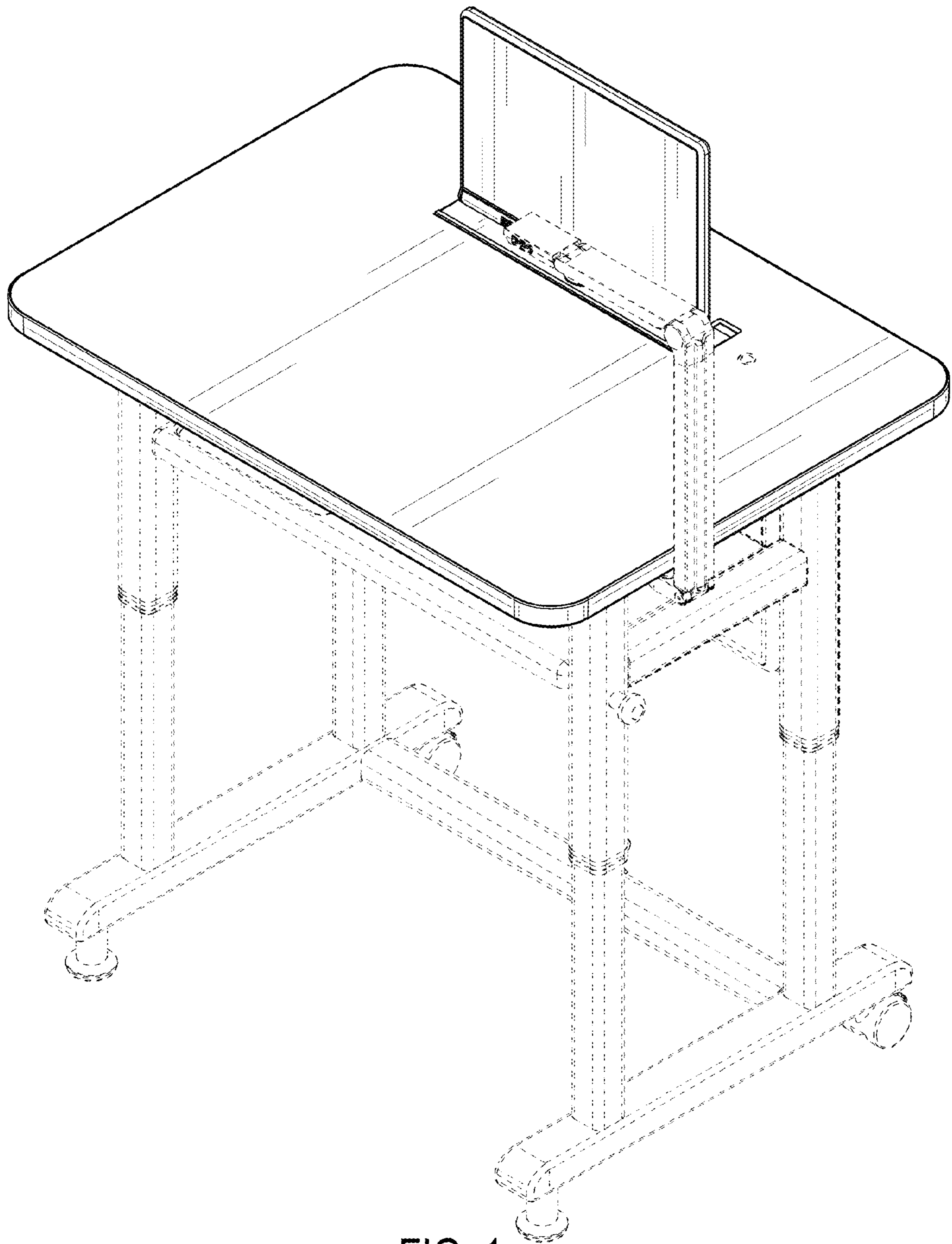
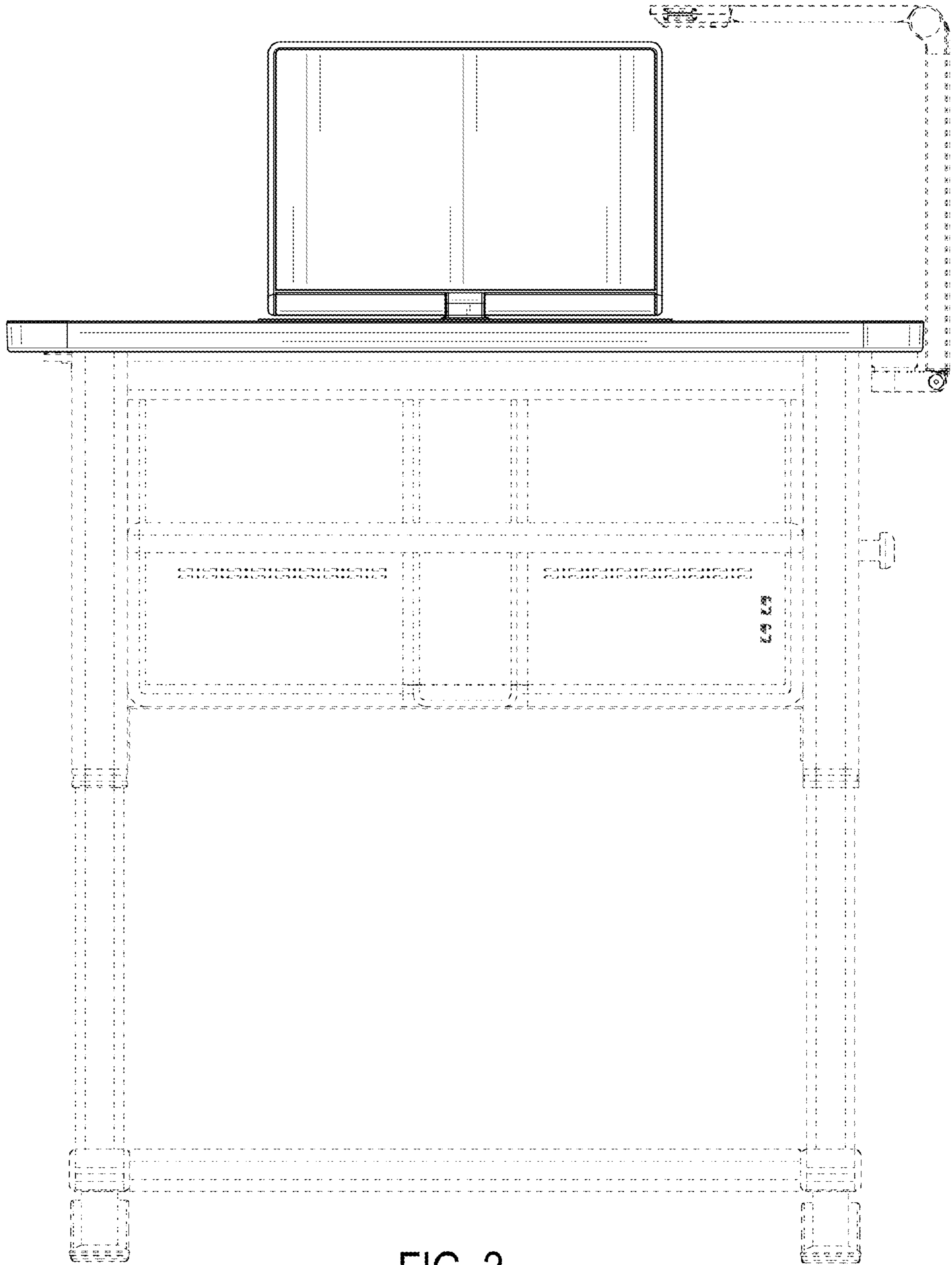


FIG. 1



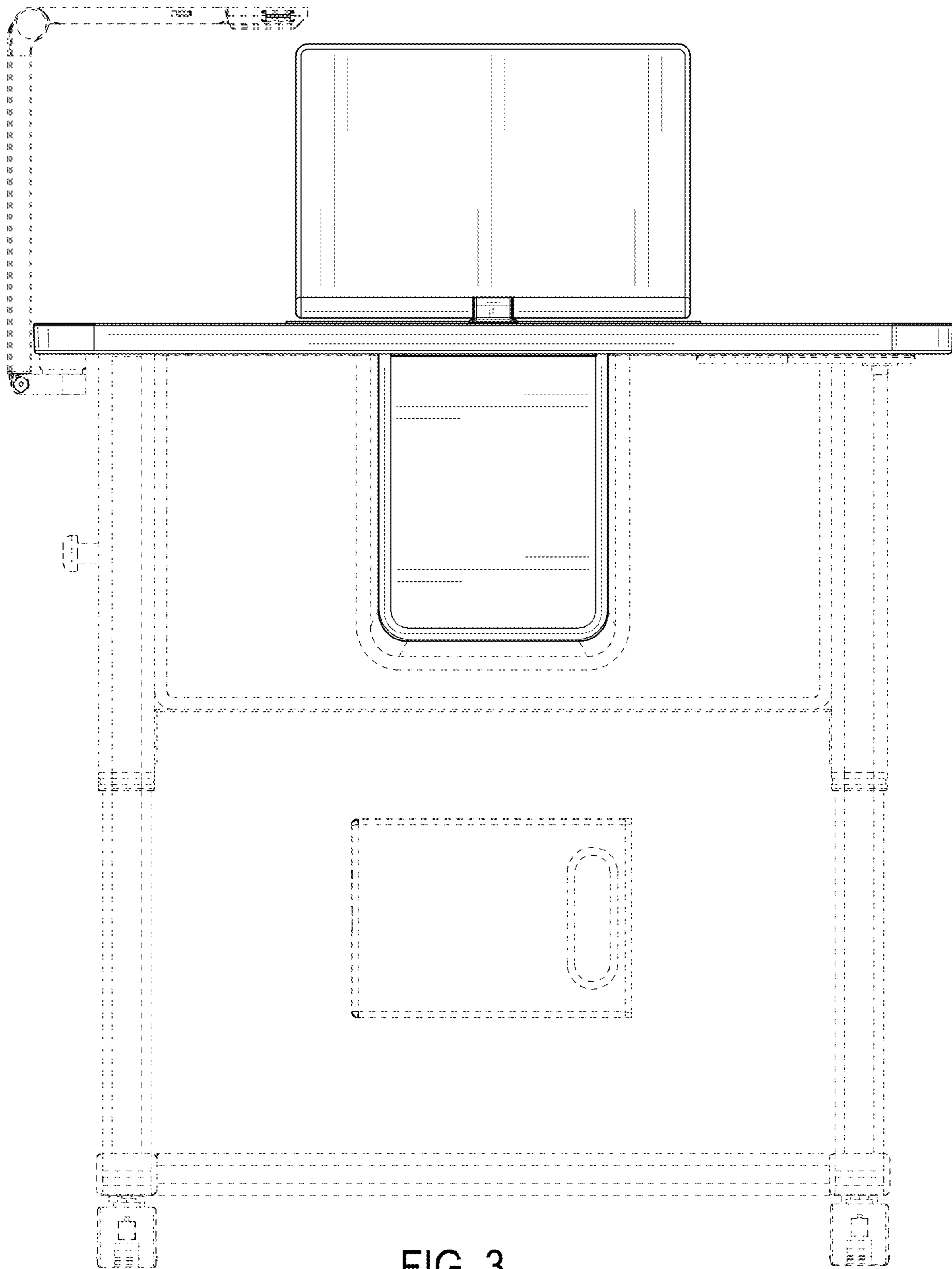


FIG. 3

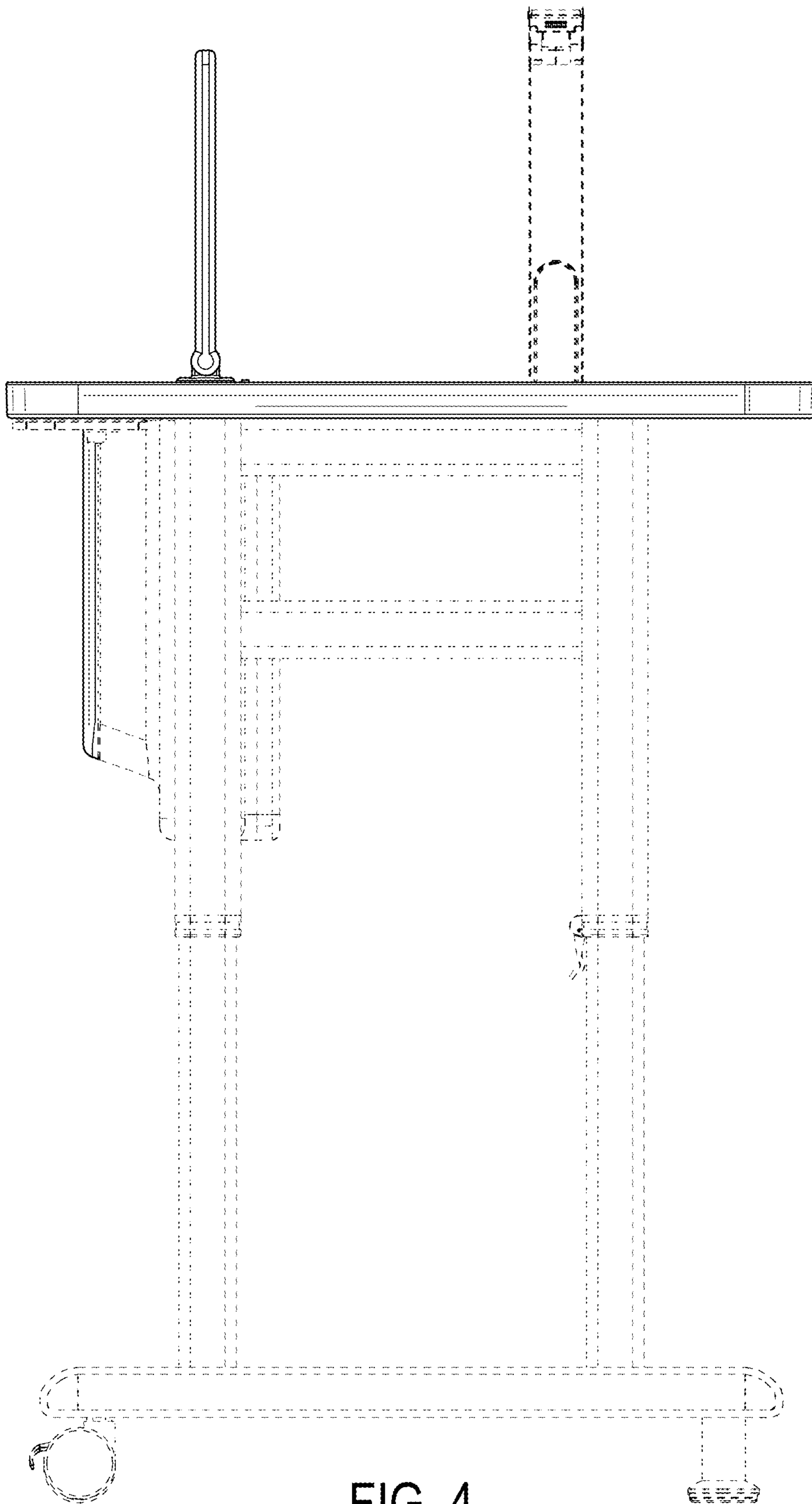


FIG. 4

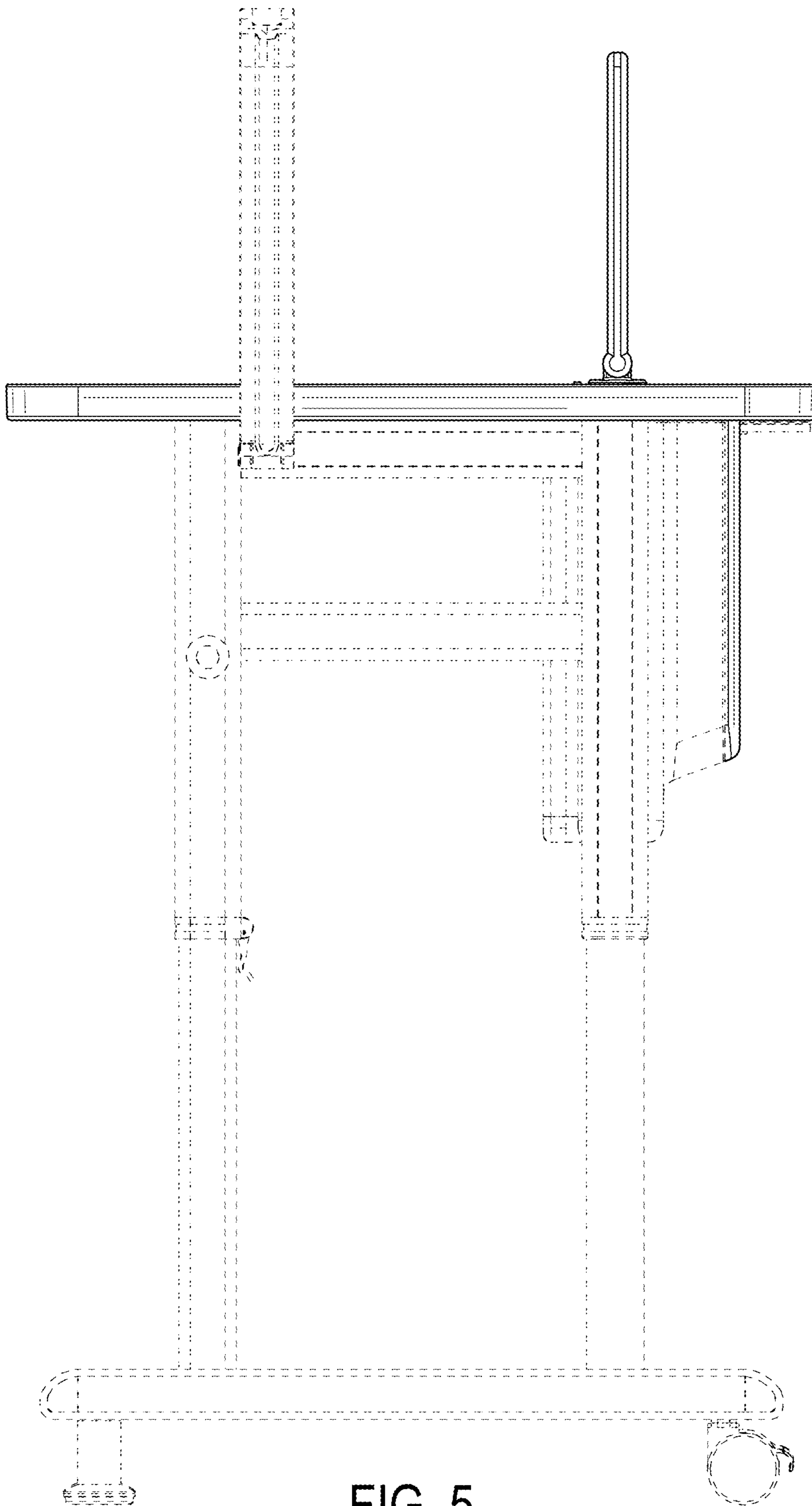


FIG. 5

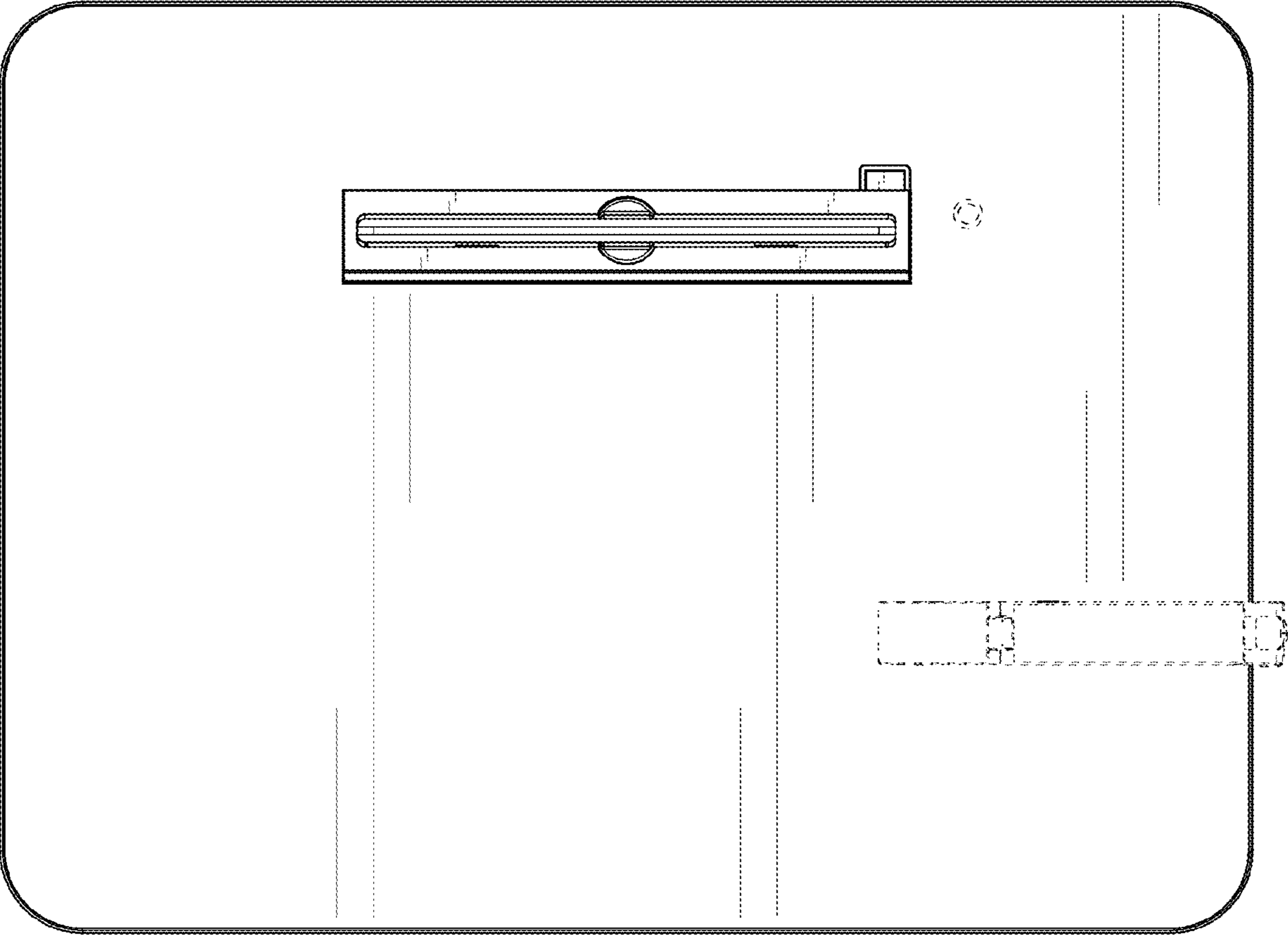


FIG. 6

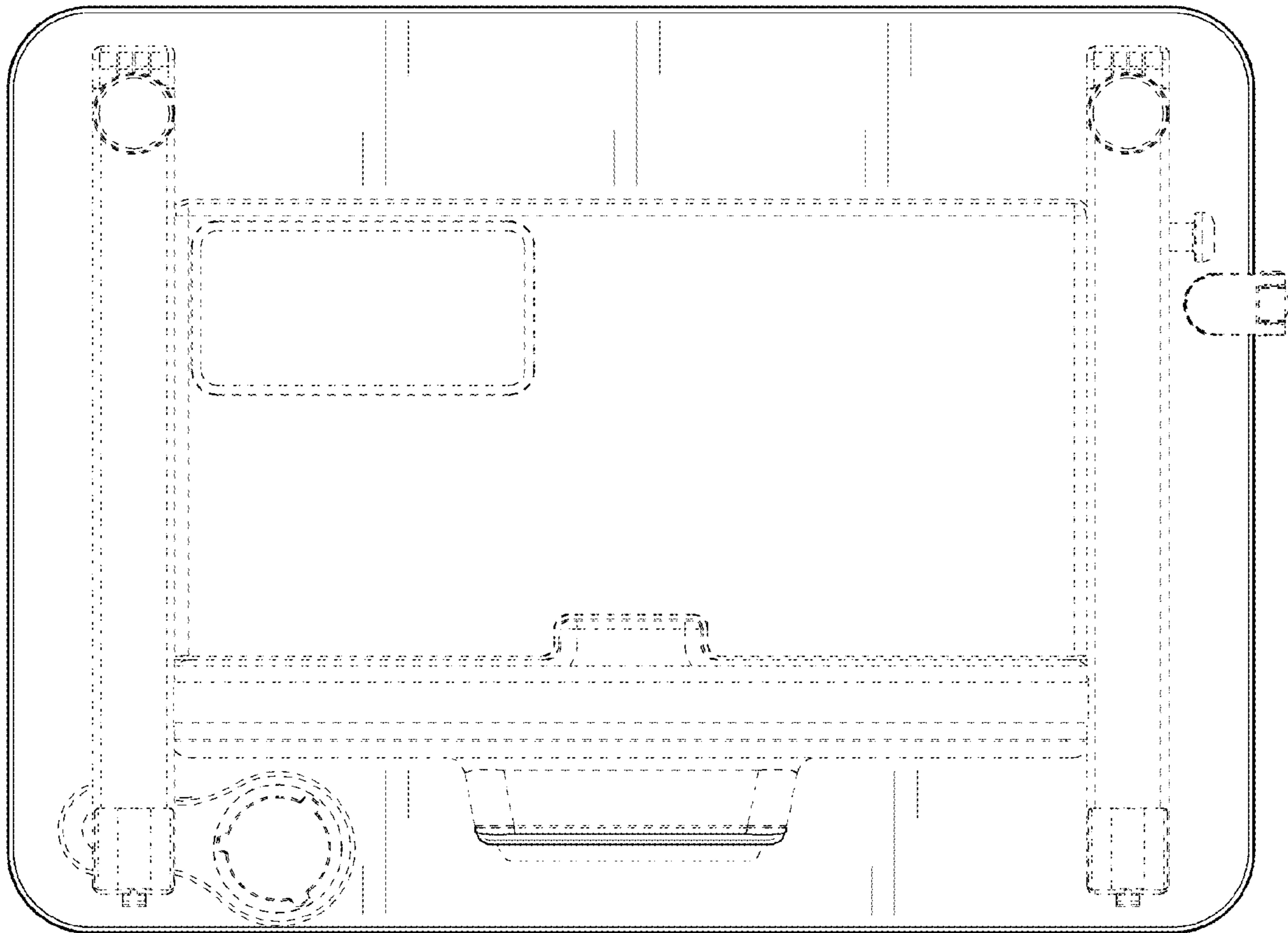


FIG. 7