



US00D922118S

(12) **United States Design Patent**
Wang et al.

(10) **Patent No.:** **US D922,118 S**
(45) **Date of Patent:** **** Jun. 15, 2021**

- (54) **TABLE TOP**
- (71) Applicant: **Hangzhou Yue Fu Si Supply Chain Management Co., Ltd, Zhejiang (CN)**
- (72) Inventors: **Shiming Wang, Zhejiang (CN); Zhiye Lu, Zhejiang (CN)**
- (73) Assignee: **Hangzhou Yue Fu Si Supply Chain Management Co., Ltd, Zhejiang (CN)**
- (**) Term: **15 Years**
- (21) Appl. No.: **29/760,229**
- (22) Filed: **Nov. 30, 2020**

(30) **Foreign Application Priority Data**

Nov. 10, 2020 (CN) 202030679800.7

(51) **LOC (13) Cl.** **06-06**

(52) **U.S. Cl.**
USPC **D6/707.15**

(58) **Field of Classification Search**
USPC D6/648, 648.1-648.4, 651, 651.2, 652.2, D6/653, 654, 654.1-654.17
CPC ... A47B 9/20; A47B 21/02; A47B 2200/0056; A47B 2200/0062; A47B 2200/0054; A47B 2021/066; A47B 2200/0029; A47B 2200/0051; A47B 2200/0052; A47B 2200/0059; A47B 2200/006; A47B 2200/0061; A47B 9/00; A47B 13/10; A47B 21/00; A47B 21/0314
See application file for complete search history.

(56) **References Cited**

U.S. PATENT DOCUMENTS

- D427,804 S * 7/2000 Olson D6/653
- D546,503 S * 7/2007 Kreiss D6/653
- D632,900 S * 2/2011 Goldberg A47B 17/033
- D6/654
- D723,306 S * 3/2015 Kielwasser D6/653

- D778,653 S 2/2017 Spoelhof et al.
- D839,648 S 2/2019 Legare
- D888,466 S * 6/2020 Li D6/654.1
- D891,823 S * 8/2020 Li D6/648.3
- D895,324 S * 9/2020 Li D6/654
- D909,095 S * 2/2021 Li D6/654.1
- D909,096 S * 2/2021 Li D6/654.1
- D909,099 S * 2/2021 Li D6/654.1

OTHER PUBLICATIONS

“FEZIBO Height Adjustable Electric Standing Desk.” Found online Mar. 12, 2021 at www.amazon.com. Product first available Aug. 25, 2020. Retrieved from URL: <https://tinyurl.com/2f6acnpp> (Year: 2020).*

(Continued)

Primary Examiner — Mary Ann Calabrese
Assistant Examiner — Katelin G Kloberg
(74) *Attorney, Agent, or Firm* — ScienBiziP, P.C.

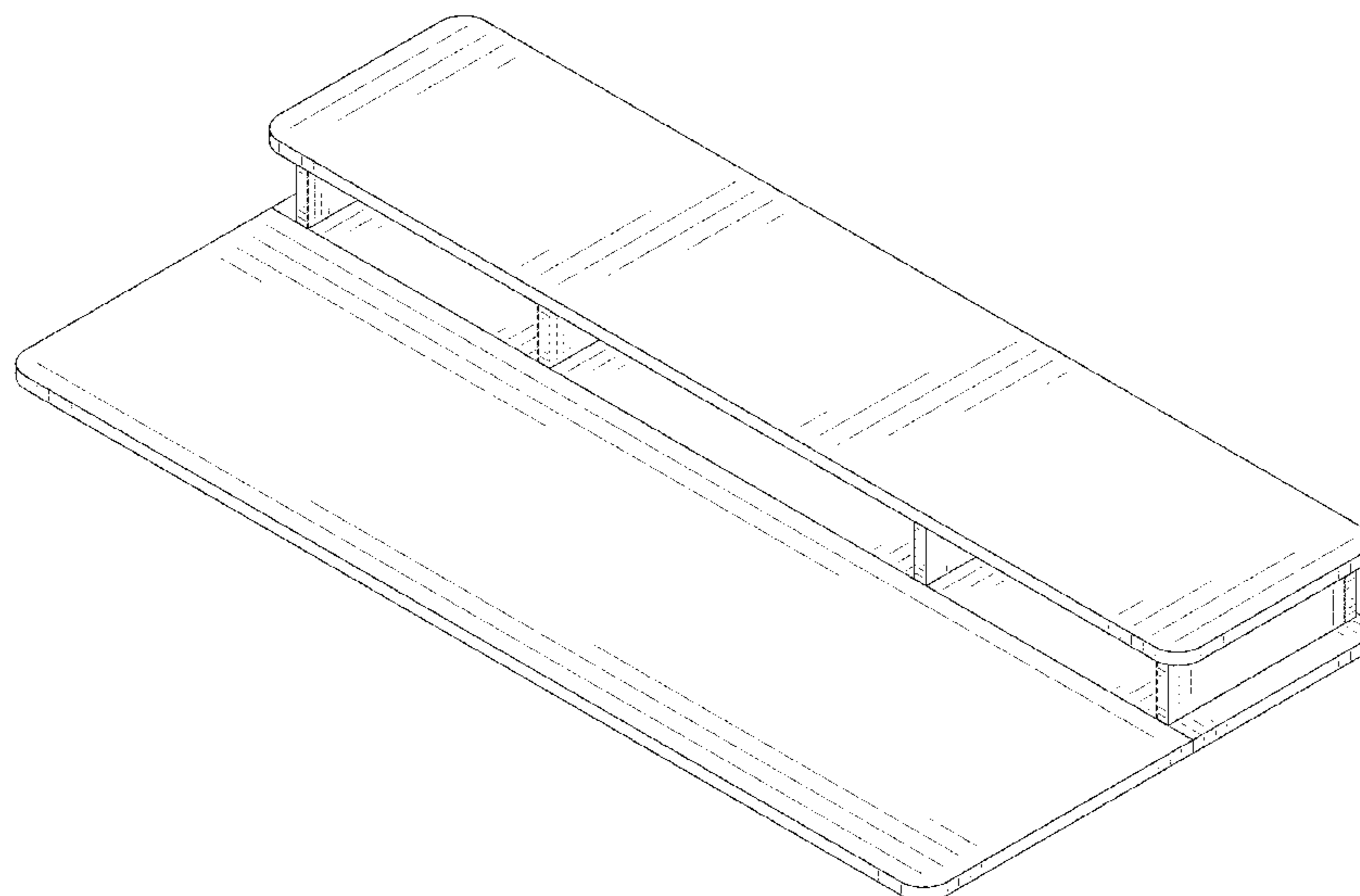
(57) **CLAIM**

The ornamental design for a table top, as shown and described.

DESCRIPTION

FIG. 1 is a front perspective view of a table top, showing our design.
FIG. 2 is a rear perspective view thereof.
FIG. 3 is a bottom perspective view thereof.
FIG. 4 is a front elevation view thereof.
FIG. 5 is a rear elevation view thereof.
FIG. 6 is a left side elevation thereof.
FIG. 7 is a right side elevation thereof.
FIG. 8 is a top plan view thereof; and,
FIG. 9 is a bottom plan view thereof.
The broken lines illustrate portions of the table top that form no part of the claimed design.

1 Claim, 9 Drawing Sheets



(56)

References Cited

OTHER PUBLICATIONS

“FAMISKY Dual Motor Adjustable Height Electric Standing Desk.” Found online Mar. 12, 2021 at www.amazon.com. Product first available Sep. 8, 2020. Retrieved from URL: <https://tinyurl.com/fryyvac2> (Year: 2020).*

“Stand Steady Tranzendesk.” Found online Mar. 12, 2021 at www.amazon.com. Product first available Nov. 28, 2018. Retrieved from URL: <https://tinyurl.com/2jux9ehw> (Year: 2018).*

“Dual-tier standing desk encourages healthy habits.” Found online Mar. 12, 2021 at www.newatlas.com. Page dated Aug. 3, 2016. Retrieved from URL: <https://newatlas.com/gaze-lab-standing-desk/44315/> (Year: 2016).*

“Stand Steady Joy Desk.” Found online Mar. 12, 2021 at www.amazon.com. Product first available Nov. 16, 2017. Retrieved from URL: <https://www.amazon.com/Joy-Desk-Stand-Steady-Workstation/dp/B077J8FHKR?th=1> (Year: 2017).*

* cited by examiner

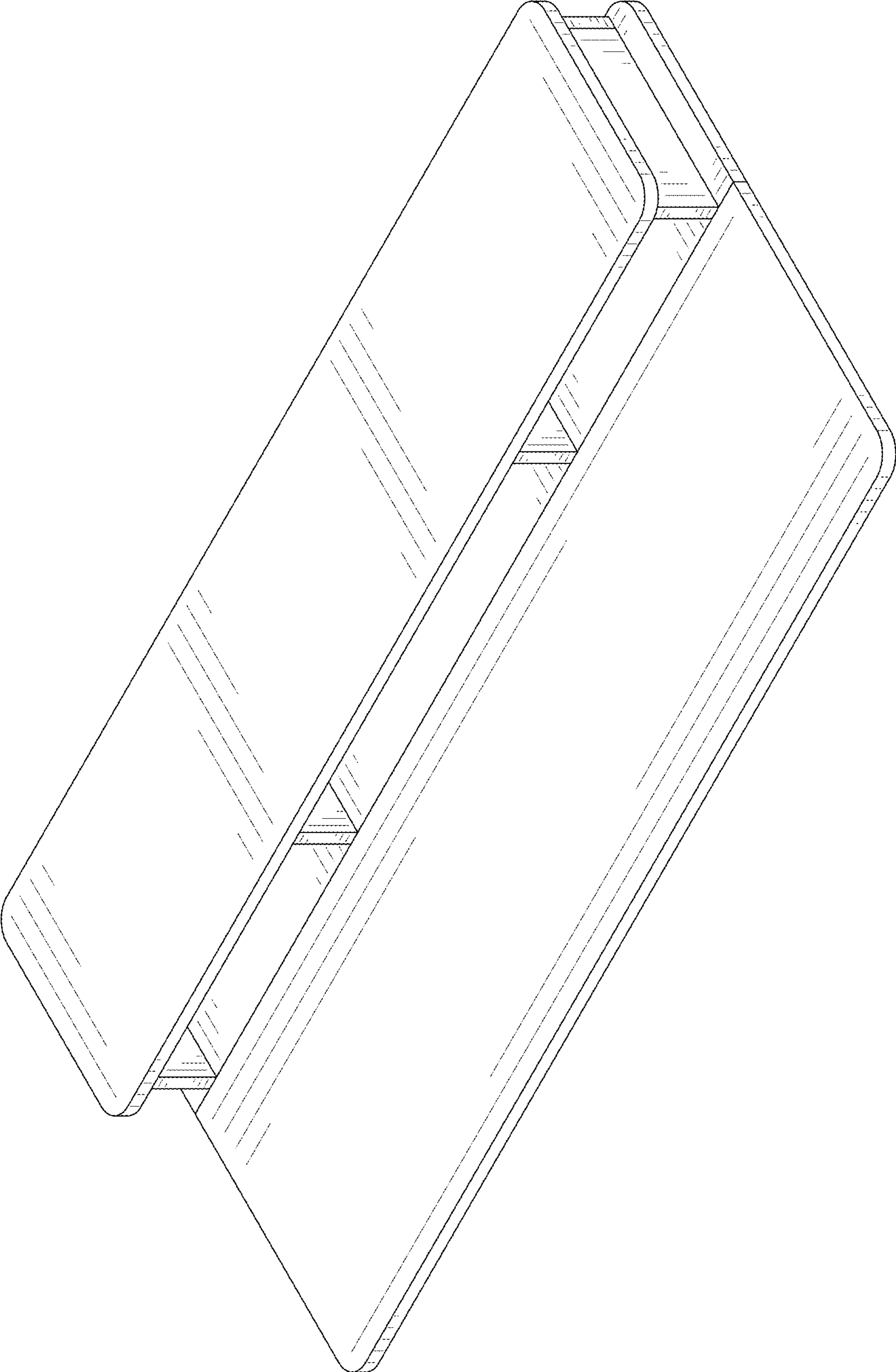


FIG. 1

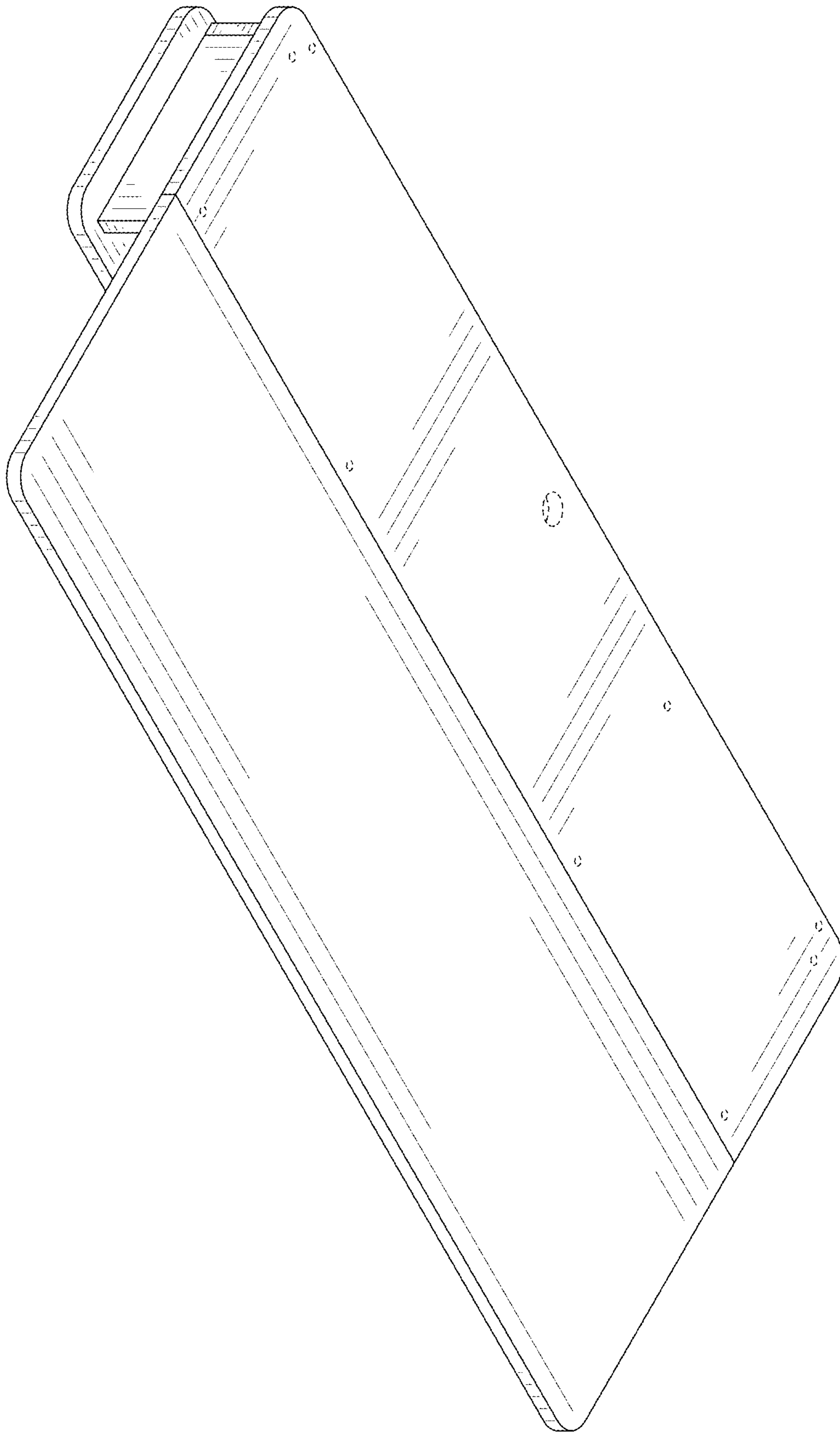


FIG. 2

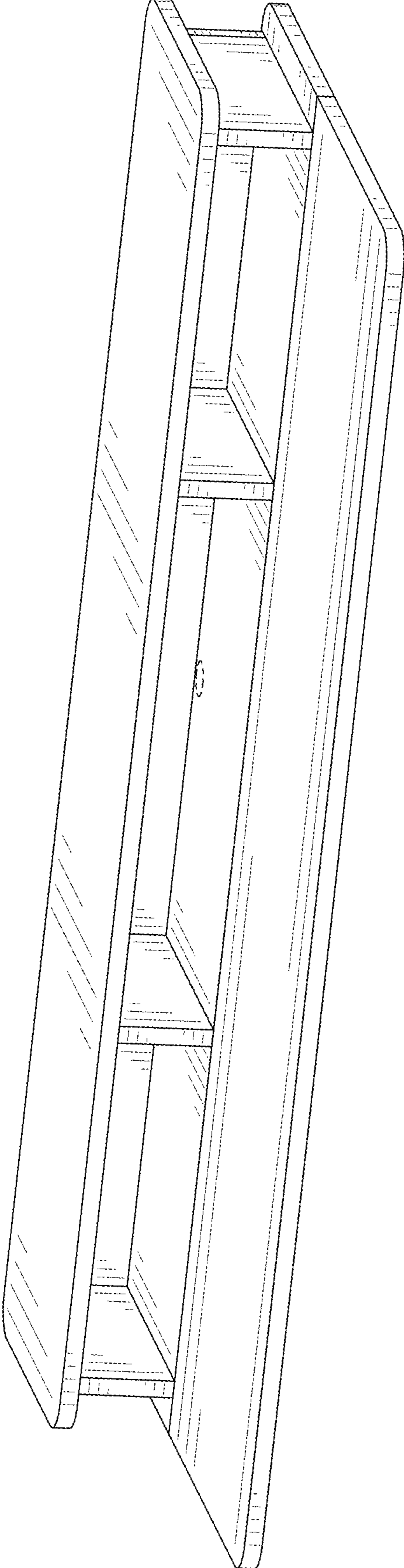


FIG. 3

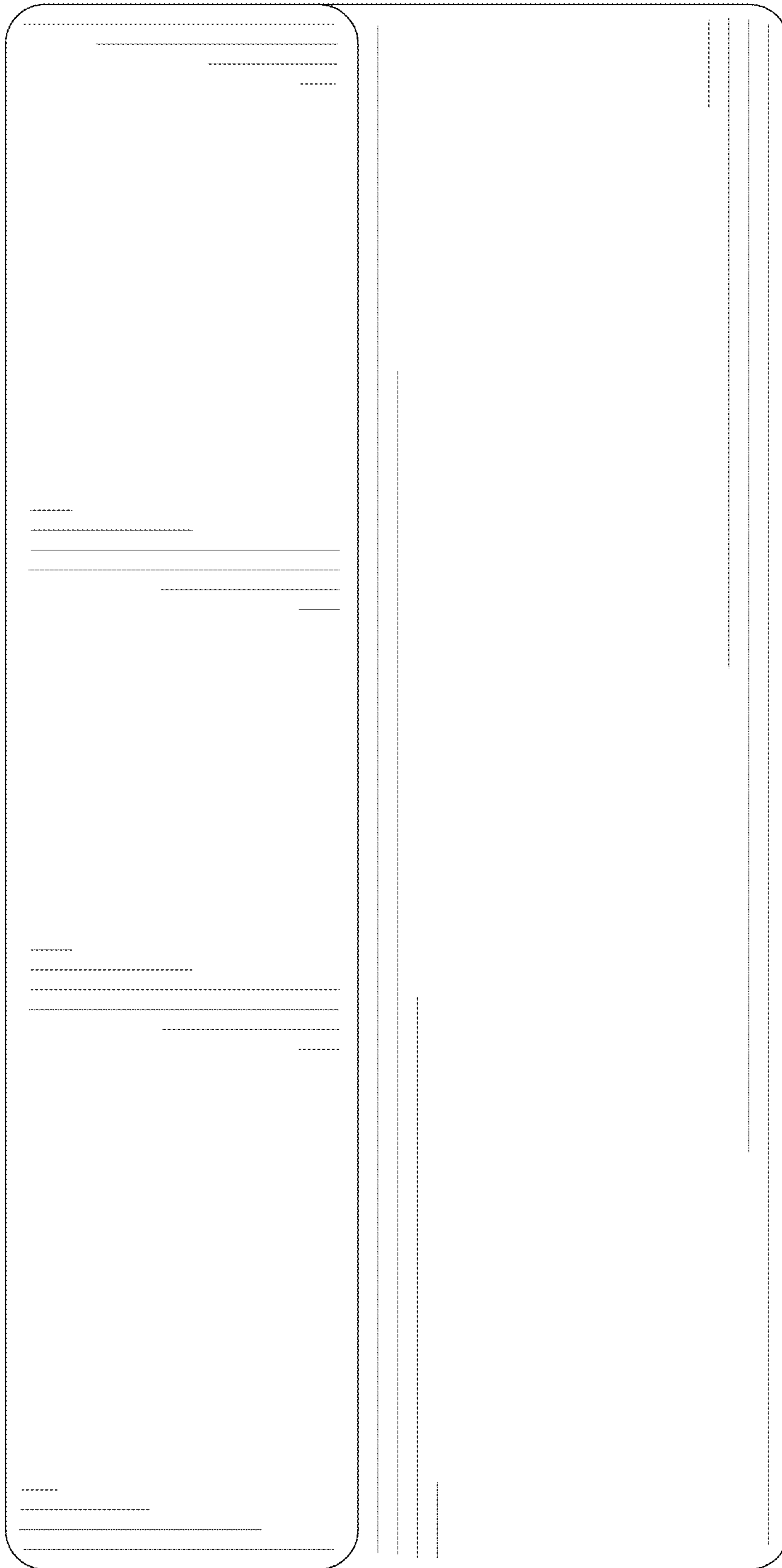


FIG. 4

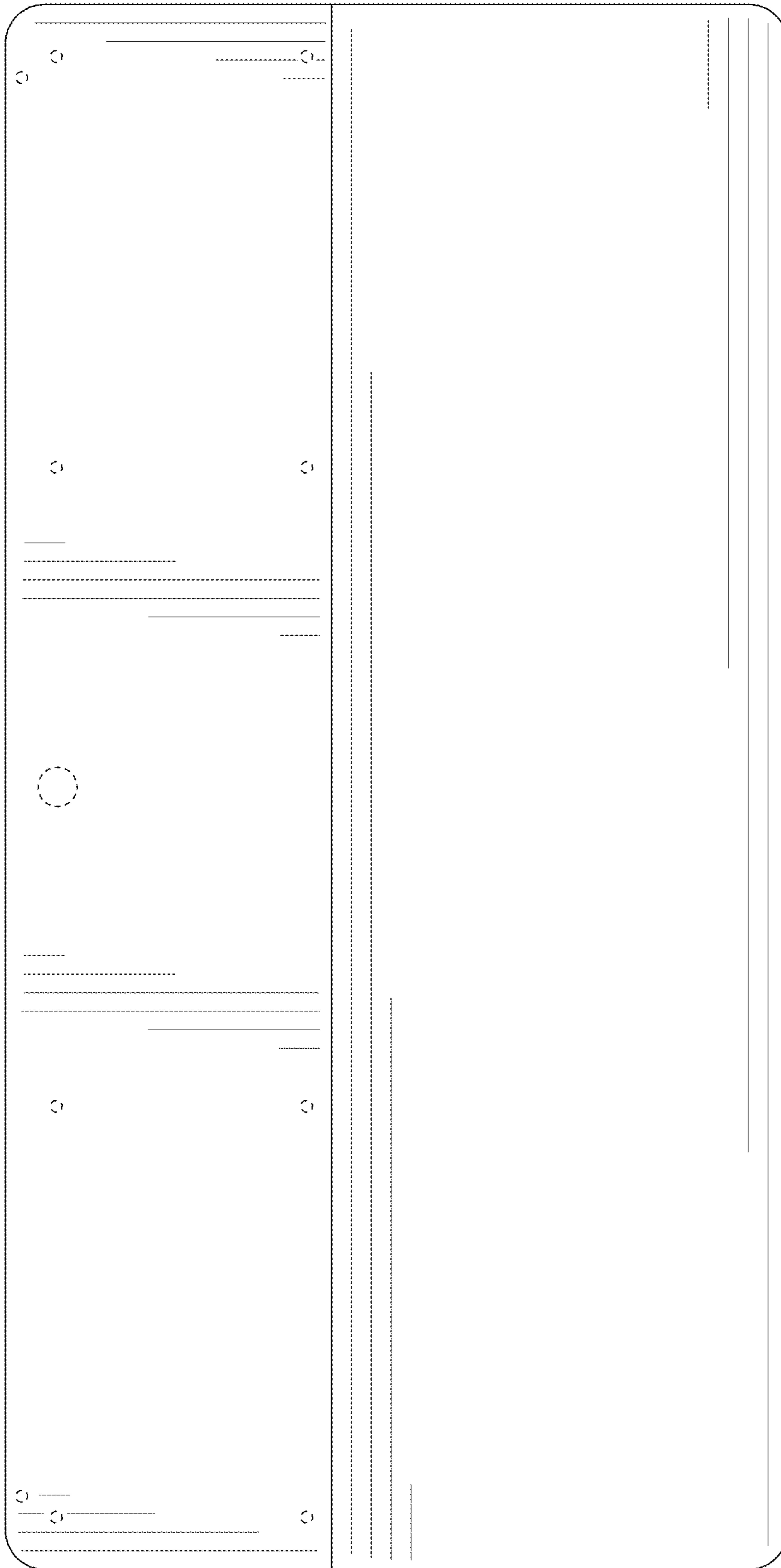


FIG. 5

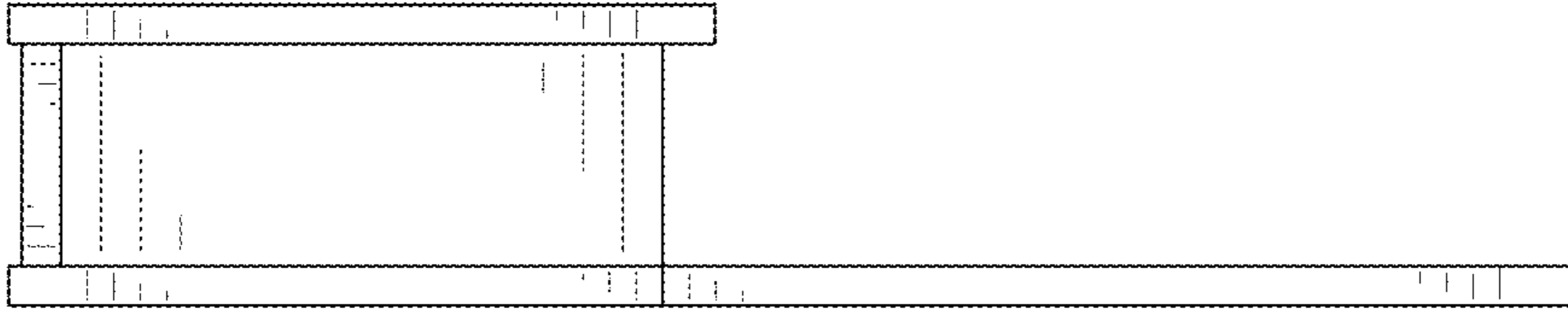


FIG. 6

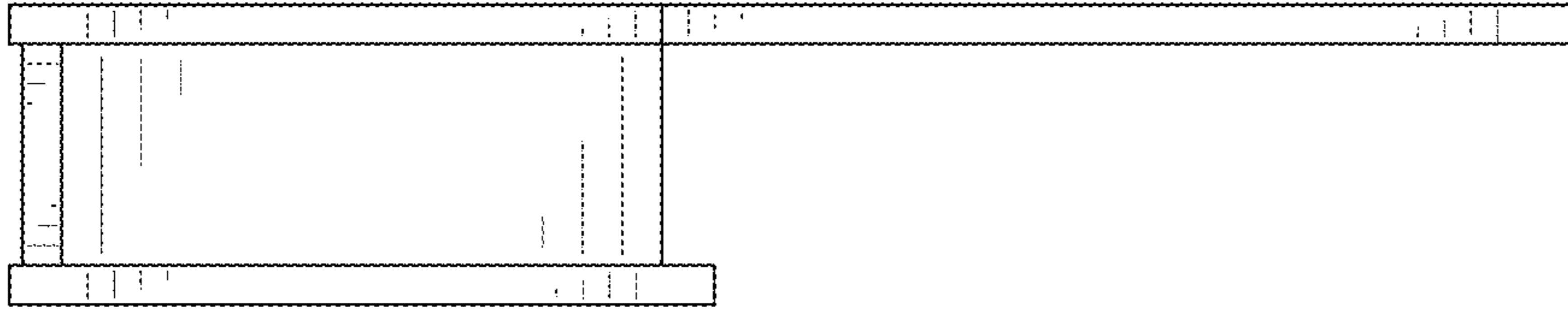


FIG. 7

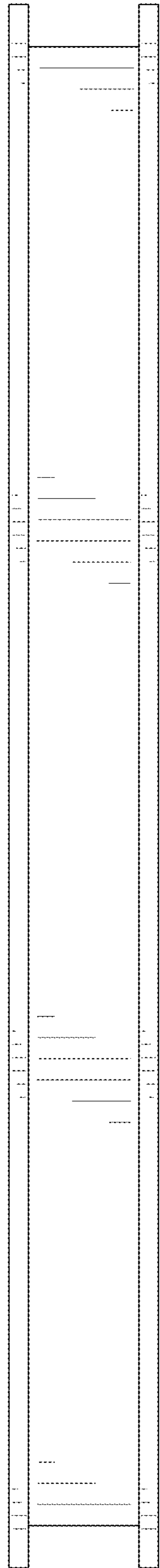


FIG. 8

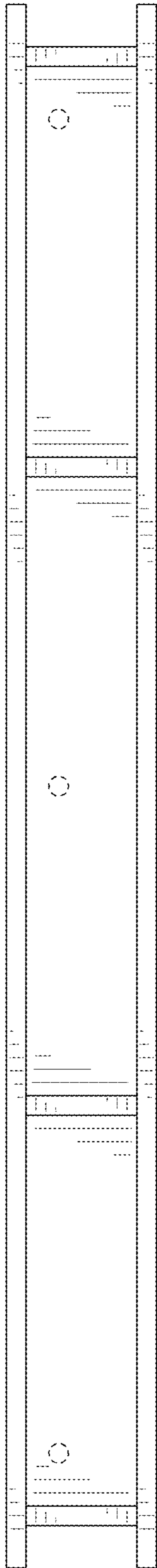


FIG. 9