



US00D922111S

(12) **United States Design Patent** (10) **Patent No.:** **US D922,111 S**  
**van Thiel et al.** (45) **Date of Patent:** **\*\* \*Jun. 15, 2021**

- (54) **TABLE**
- (71) Applicant: **RH US, LLC**, Corte Madera, CA (US)
- (72) Inventors: **Rudolph F. T. van Thiel**, Roanoke, VA (US); **Julie Lawrence**, Roanoke, VA (US)
- (73) Assignee: **RH US, LLC**, Corte Madera, CA (US)
- (\*) Notice: This patent is subject to a terminal disclaimer.
- (\*\*) Term: **15 Years**
- (21) Appl. No.: **29/746,075**
- (22) Filed: **Aug. 11, 2020**
- (51) **LOC (13) Cl.** ..... **06-03**
- (52) **U.S. Cl.**  
USPC ..... **D6/691.1**
- (58) **Field of Classification Search**  
USPC ..... D6/349, 641, 642, 656, 685, 686, 691, D6/691.1-691.9, 694, 694.1, 694.2  
CPC ..... A47B 7/00; A47B 13/00; A47B 13/02; A47B 13/04; A47B 13/06; A47B 13/08; A47B 13/12; A47B 21/00; A47B 2200/0001; A47B 2200/0011; A47B 2200/002  
See application file for complete search history.

- D428,741 S 8/2000 Hazen
  - D547,572 S 7/2007 Goldstein
  - D555,919 S \* 11/2007 Baade ..... D6/349
  - D572,046 S \* 7/2008 Hunziker ..... D6/691.1
  - D739,670 S \* 9/2015 Pedersen ..... D6/691.1
  - D747,904 S 1/2016 Haynes
  - D780,469 S \* 3/2017 Cohen ..... D6/349
  - D833,189 S \* 11/2018 Inovero ..... D6/691.8
- (Continued)

**OTHER PUBLICATIONS**

T-Brace Rectangular Side Table—RH.com <https://rh.com/catalog/category/products.jsp?cellBackground=false&link=T-BraceRoundCoffeeTableCollection-WaxedGreyOak%252FPewter&categoryId=cat17650073> retrieved from the internet on Oct. 3, 2020.\*

*Primary Examiner* — Mary Ann Calabrese  
(74) *Attorney, Agent, or Firm* — Lewis Roca Rothgerber Christie LLP

(57) **CLAIM**

The ornamental design for a table, as shown and described.

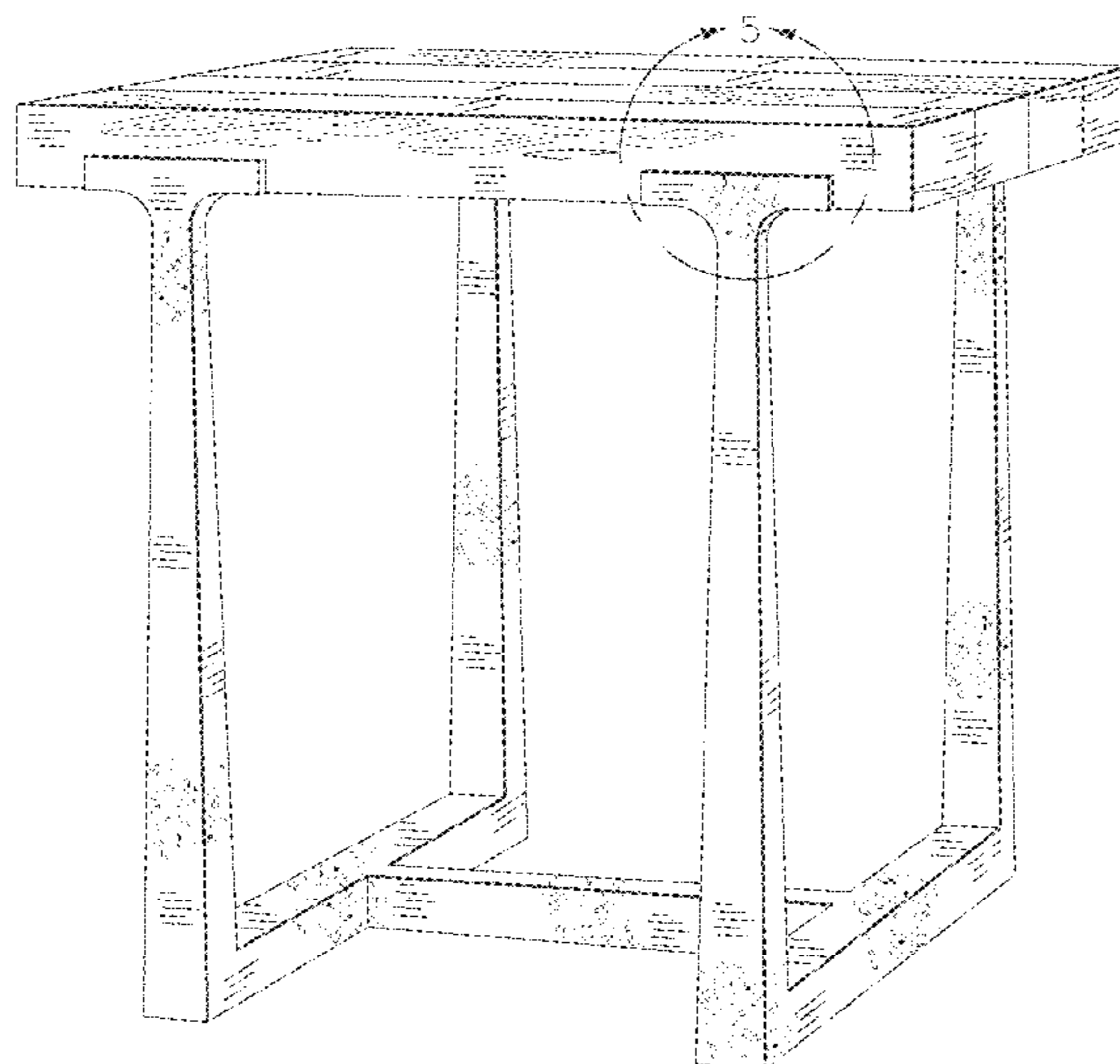
**DESCRIPTION**

FIG. 1 is a perspective view of a table showing our new design;  
 FIG. 2 is a top plan view thereof;  
 FIG. 3 is a front elevation view thereof, the rear being a mirror image;  
 FIG. 4 is a right side elevation view, the sides being mirror images of one another; and,  
 FIG. 5 is an enlarged fragment of a portion of the table shown in FIG. 1 and labelled 5.  
 The fragmentary showing of wood grain in FIGS. 1-4 and shown in detail in FIG. 5 is understood to be repeated throughout the surfaces shown. The fragmentary showing of the surface pattern on the legs and base of the table shows a contrasting appearance from the wood grain on the table top and is understood to repeat throughout the surfaces shown.

**1 Claim, 5 Drawing Sheets**

(56) **References Cited**  
U.S. PATENT DOCUMENTS

- D101,776 S \* 11/1936 Hoffmann ..... D6/691.6
- D214,742 S \* 7/1969 Giafagna ..... D6/691.8
- D217,261 S \* 4/1970 Giafagna ..... D6/691.8
- D221,238 S \* 7/1971 Giafagna ..... D6/691.8
- D222,624 S 11/1971 Gianfagna
- D247,402 S 3/1978 Cohen
- D249,858 S \* 10/1978 Gageby ..... D6/691.1
- D258,104 S 2/1981 Baker
- D280,371 S 9/1985 Bayly
- D424,838 S 5/2000 Newhouse



(56)

**References Cited**

U.S. PATENT DOCUMENTS

|            |         |       |
|------------|---------|-------|
| D839,645 S | 2/2019  | Itou  |
| D875,447 S | 2/2020  | Piva  |
| D897,747 S | 10/2020 | Birch |

\* cited by examiner

FIG. 1

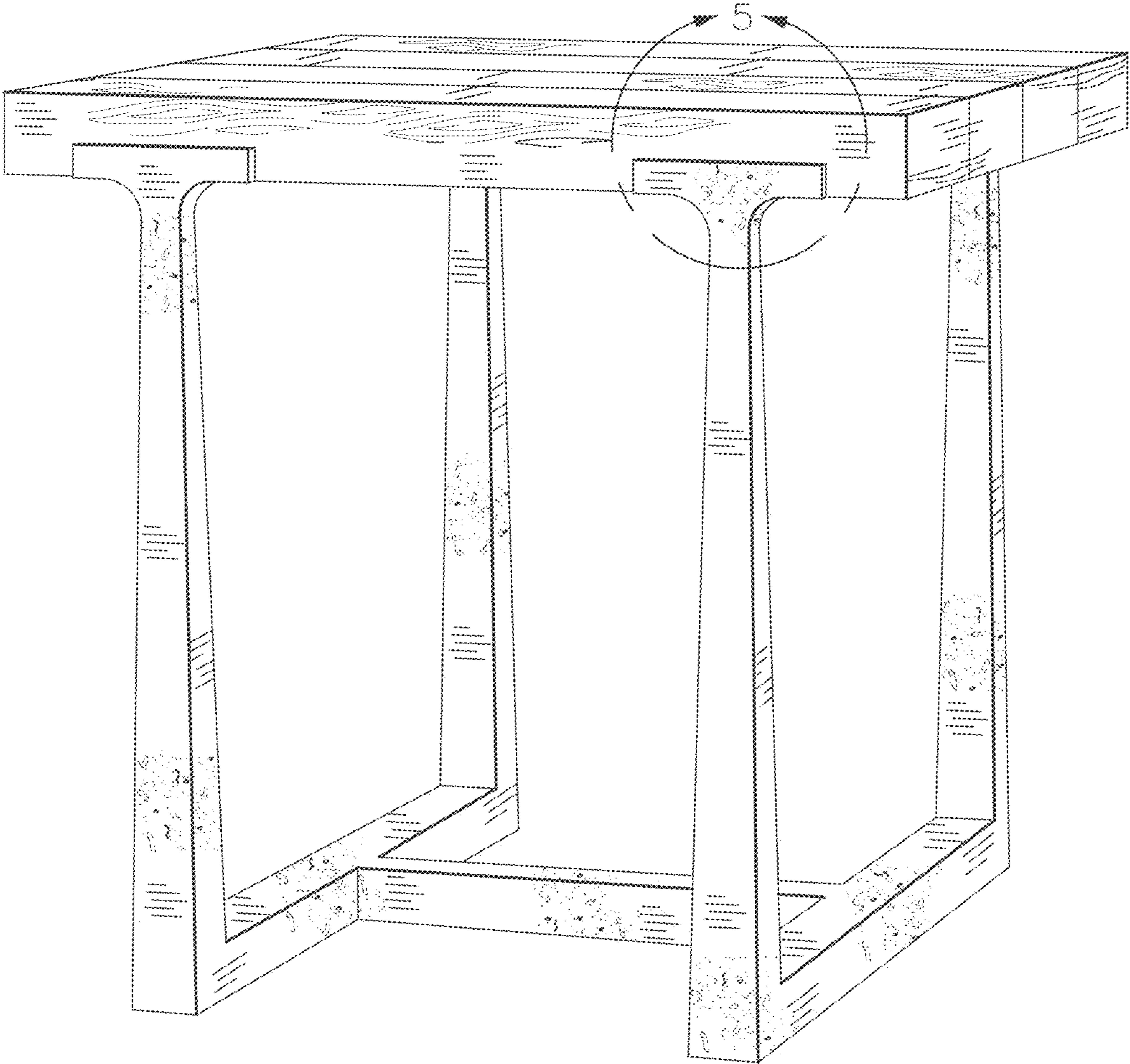


FIG. 2

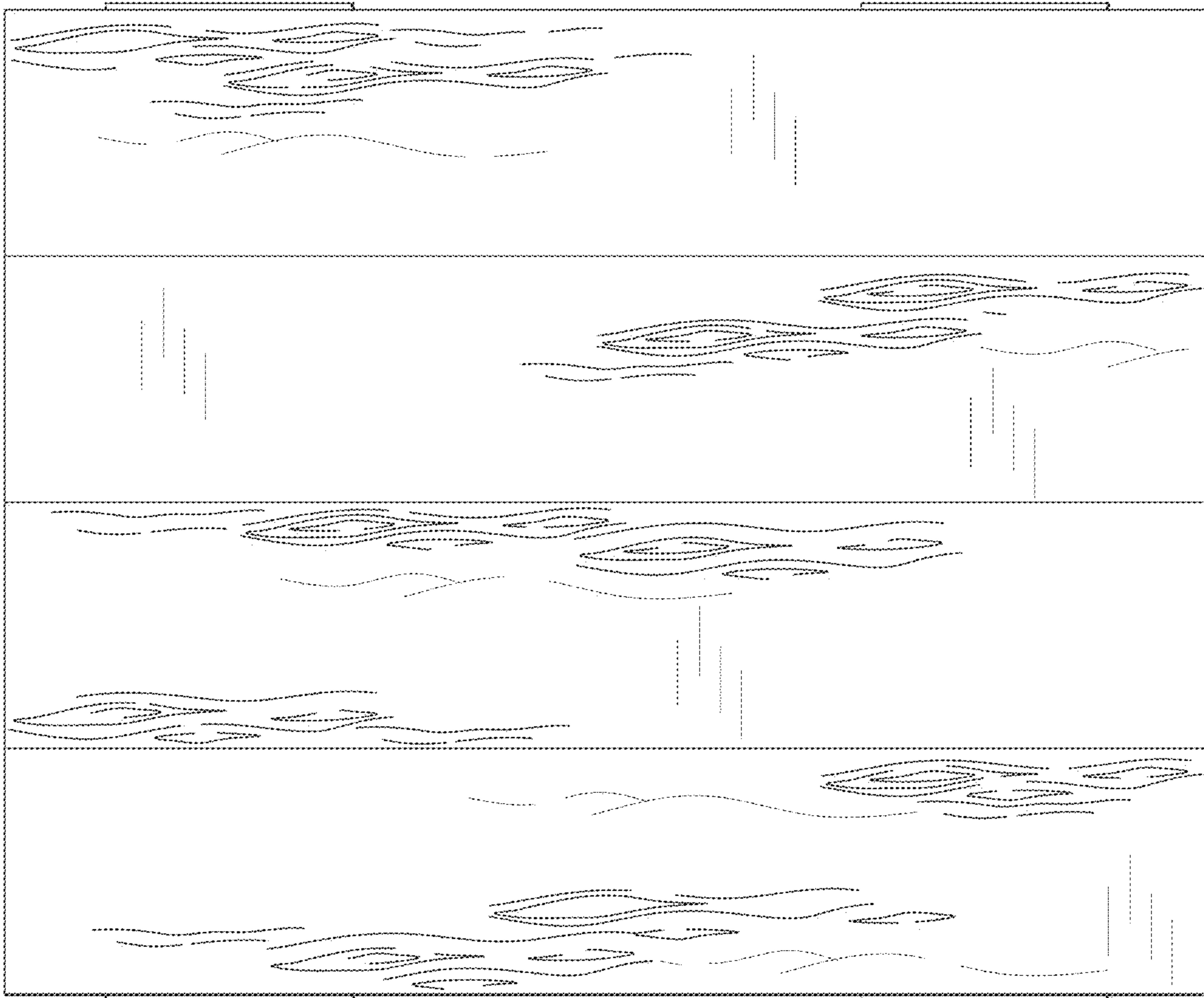




FIG. 3

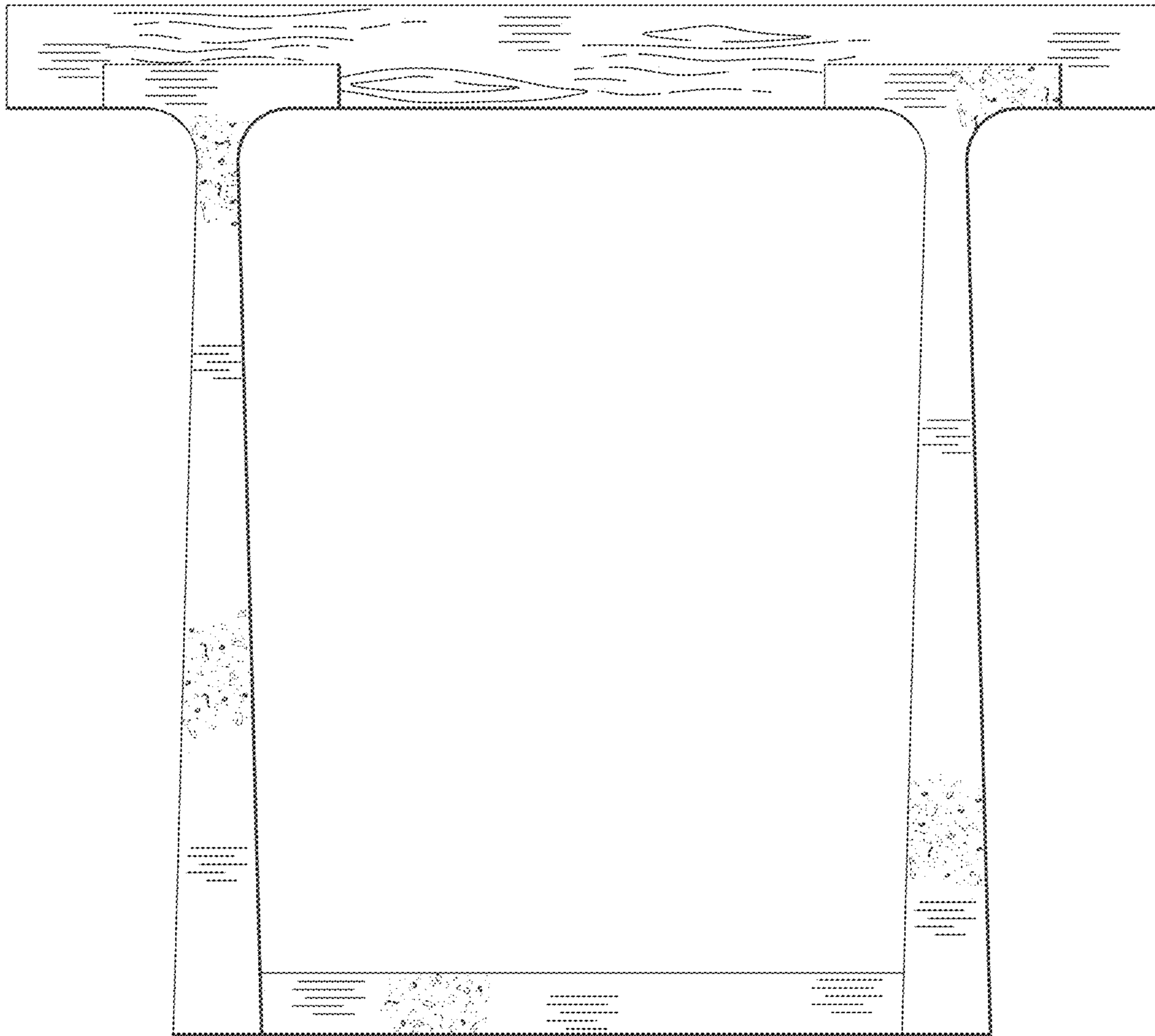


FIG. 4

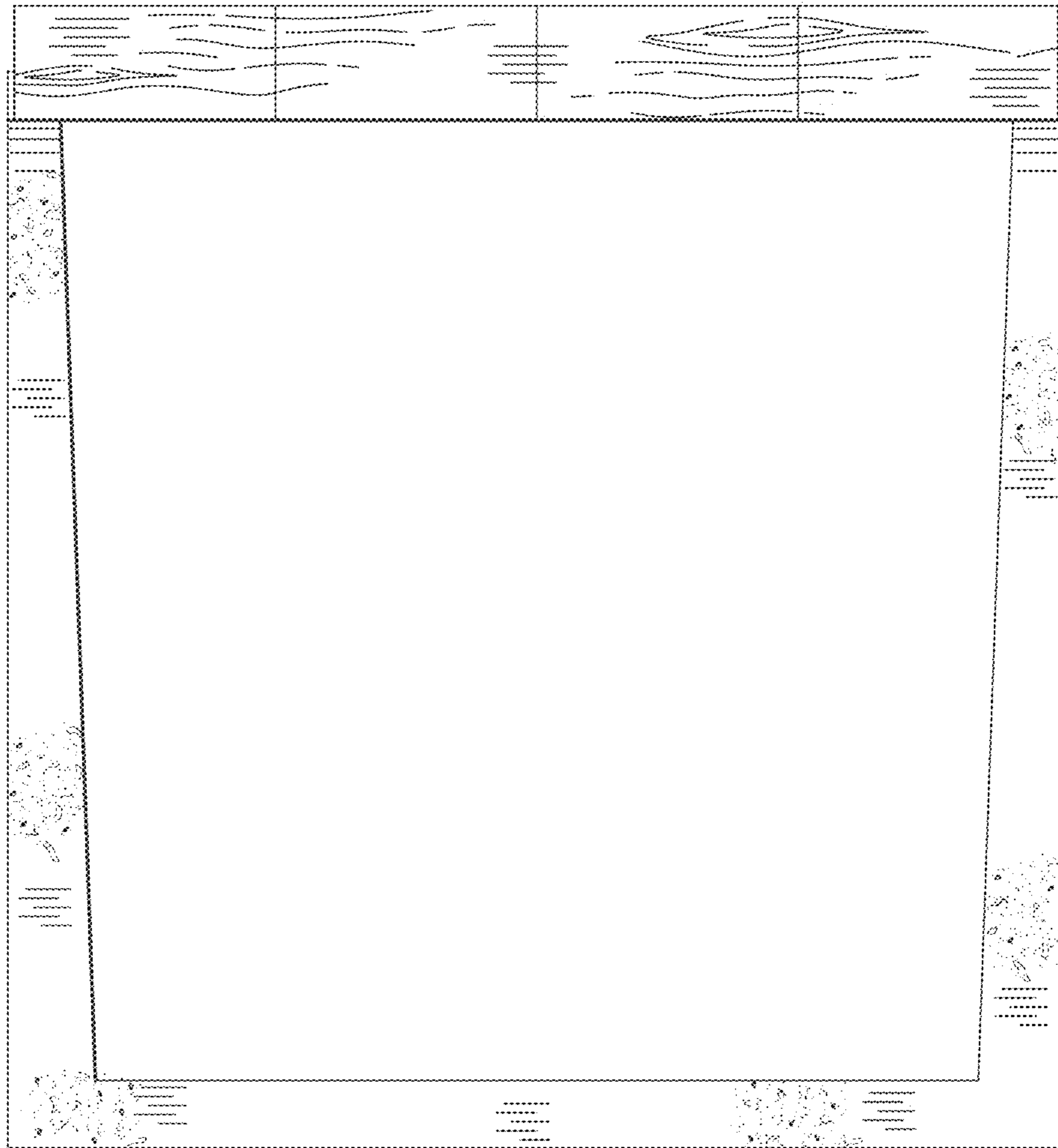


FIG. 5

