



US00D922110S

(12) **United States Design Patent** (10) **Patent No.:** **US D922,110 S**  
**Chen** (45) **Date of Patent:** **\*\* Jun. 15, 2021**

(54) **CORNER SHELF**  
(71) Applicant: **Xiufeng Chen**, Fujian (CN)  
(72) Inventor: **Xiufeng Chen**, Fujian (CN)  
(\*\*) Term: **15 Years**  
(21) Appl. No.: **29/760,386**  
(22) Filed: **Dec. 1, 2020**  
(51) **LOC (13) Cl.** ..... **06-06**  
(52) **U.S. Cl.**  
USPC ..... **D6/676.1**  
(58) **Field of Classification Search**  
USPC ..... D6/672, 673, 676, 676.1, 677, 677.1,  
D6/702, 705, 512; D7/601, 602  
CPC ..... A47J 47/16; A47F 5/0018; A47F 5/0043;  
A47F 5/04; A47B 7/00; A47B 13/10;  
A47B 43/00; A47B 81/002  
See application file for complete search history.

5,983,805 A \* 11/1999 Waluda ..... A47B 96/022  
108/158.12  
D514,847 S \* 2/2006 Peller ..... D6/676.2  
D638,640 S \* 5/2011 Molayem ..... D6/676.2  
D701,714 S \* 4/2014 Gelman ..... D6/676.1  
D818,291 S \* 5/2018 Aguilera ..... D6/676.2  
D871,118 S 12/2019 Crocenzi  
D878,117 S 3/2020 Gelman  
D885,093 S \* 5/2020 Gelman ..... D6/676.1  
D907,414 S \* 1/2021 Li ..... D6/676.1

\* cited by examiner

*Primary Examiner* — Kelley A Donnelly  
(74) *Attorney, Agent, or Firm* — ScienBiziP, P.C.

(57) **CLAIM**

The ornamental design for a corner shelf, as shown and described.

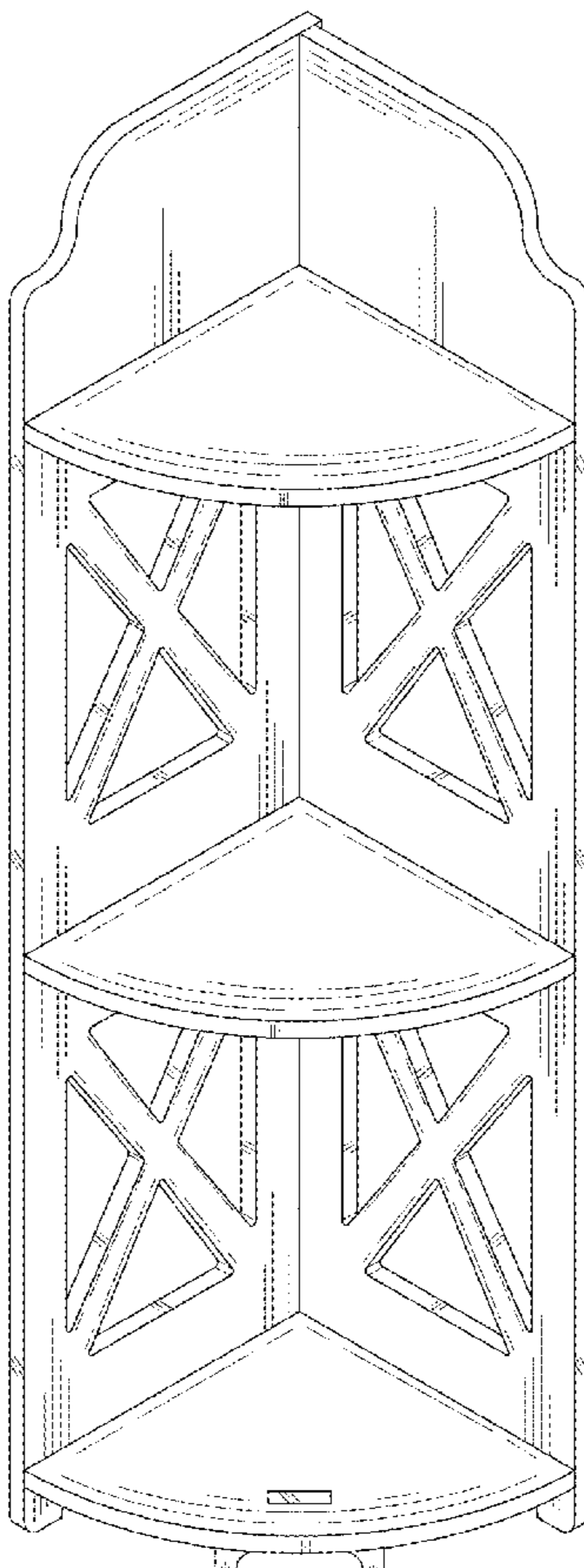
**DESCRIPTION**

FIG. 1 is a perspective view of a corner shelf, showing my design.  
FIG. 2 is a front elevation view thereof.  
FIG. 3 is a rear elevation view thereof.  
FIG. 4 is a left side elevation view thereof.  
FIG. 5 is a right side elevation view thereof.  
FIG. 6 is a top plan view thereof; and,  
FIG. 7 is a bottom plan view thereof.

**1 Claim, 7 Drawing Sheets**

(56) **References Cited**  
U.S. PATENT DOCUMENTS

D314,477 S \* 2/1991 Richter ..... D6/676.1  
D325,137 S \* 4/1992 Porter ..... D6/676.1  
D327,795 S \* 7/1992 Kee ..... D6/676.2  
D409,425 S \* 5/1999 Waluda ..... D6/562  
D409,868 S \* 5/1999 France ..... D6/562



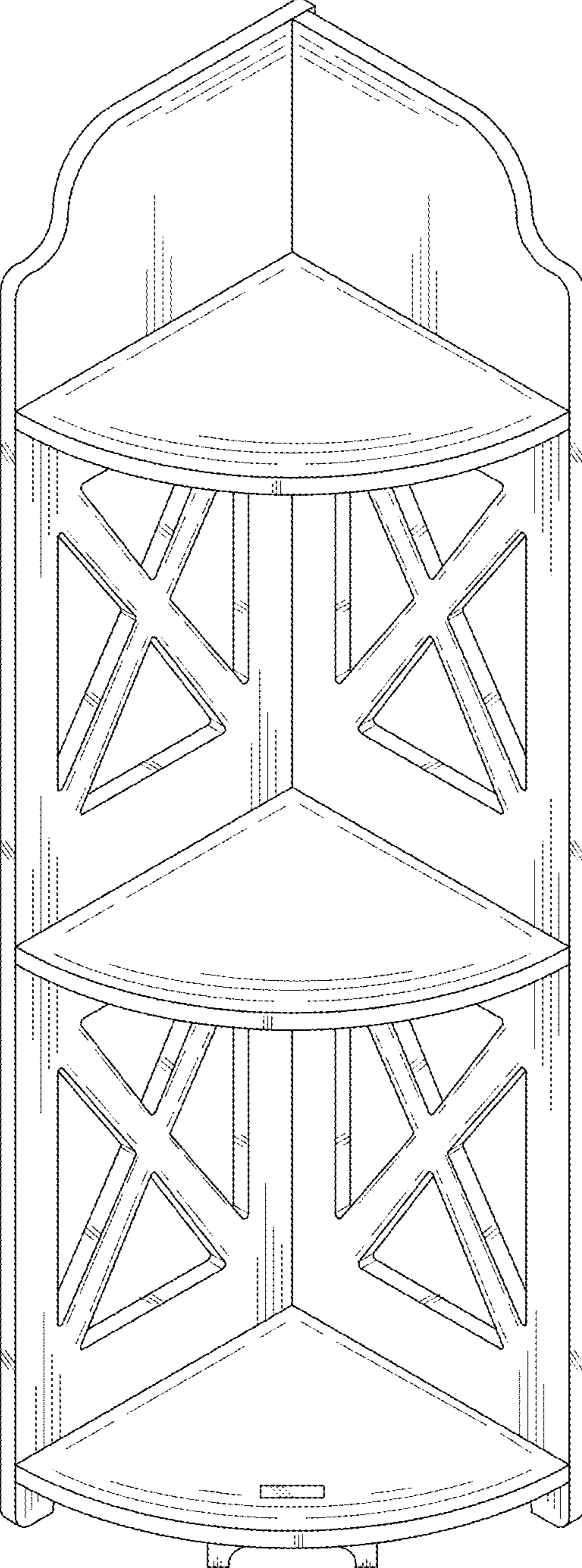


FIG. 1

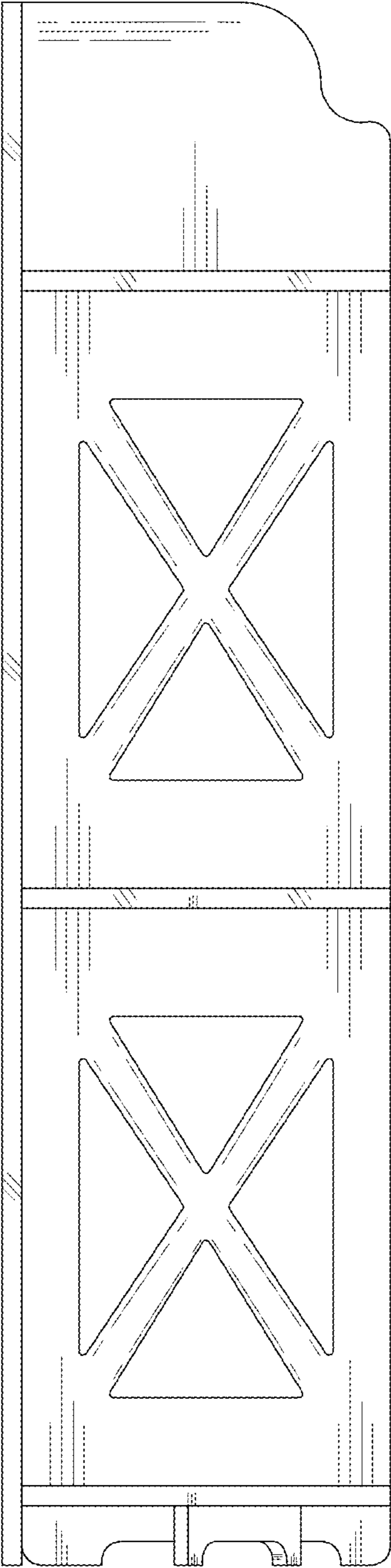


FIG.2

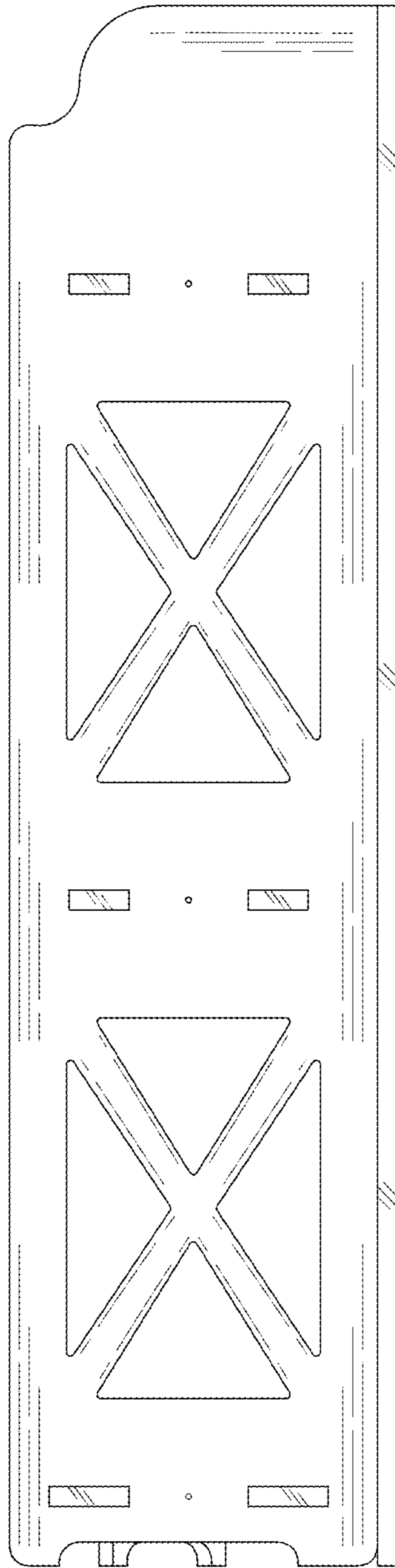


FIG.3

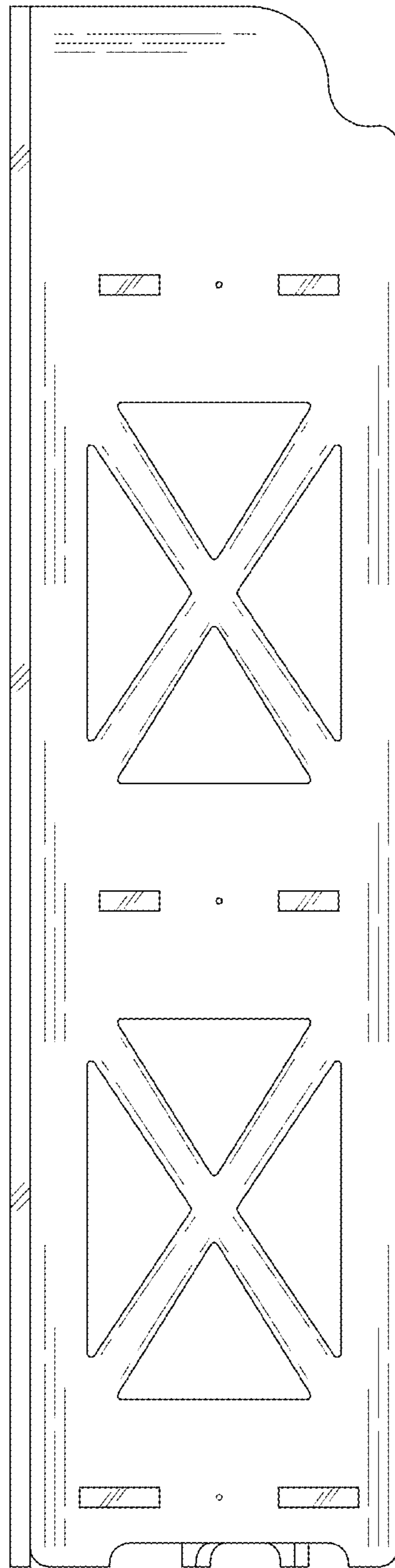


FIG.4

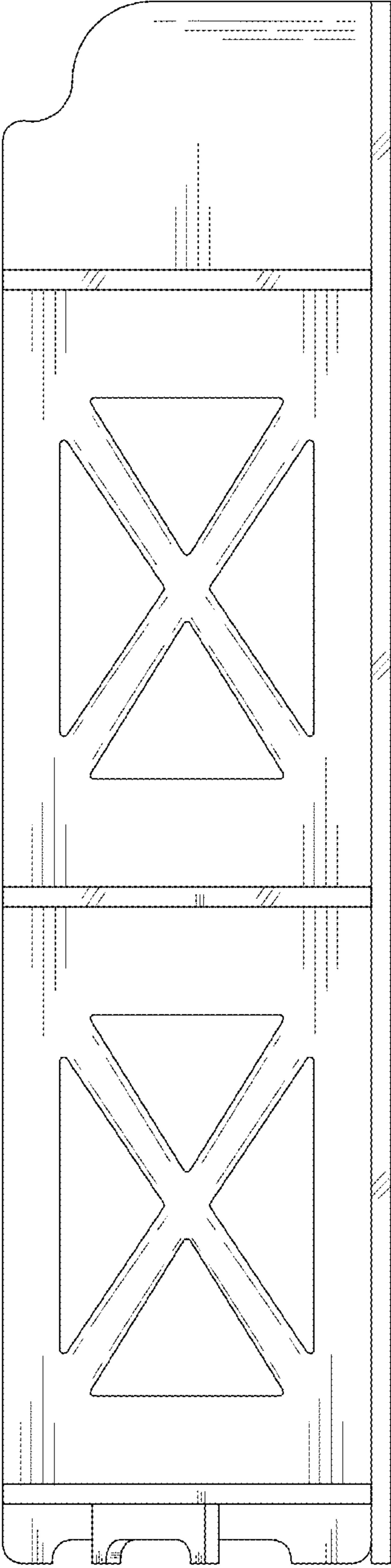


FIG.5

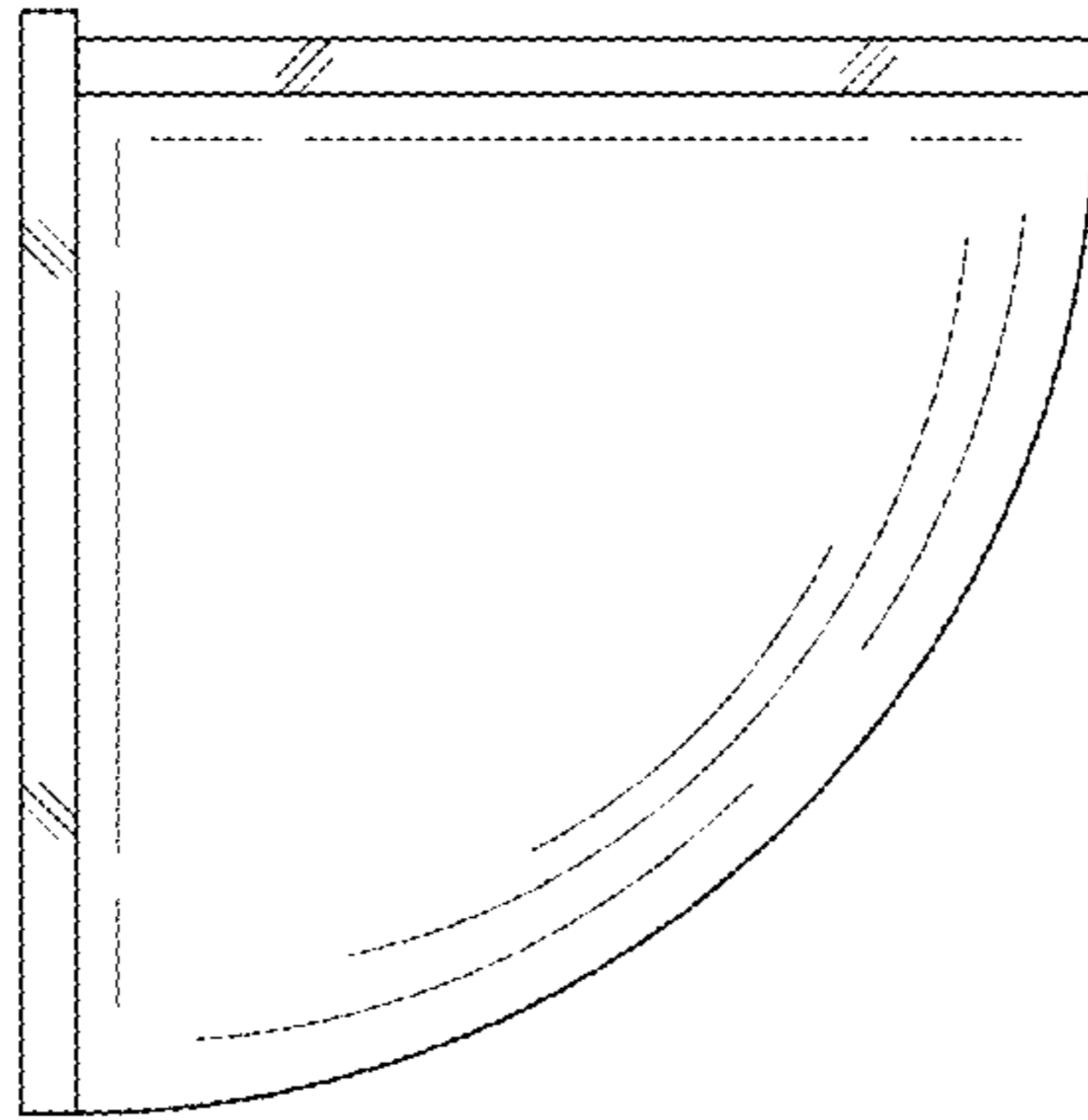


FIG.6

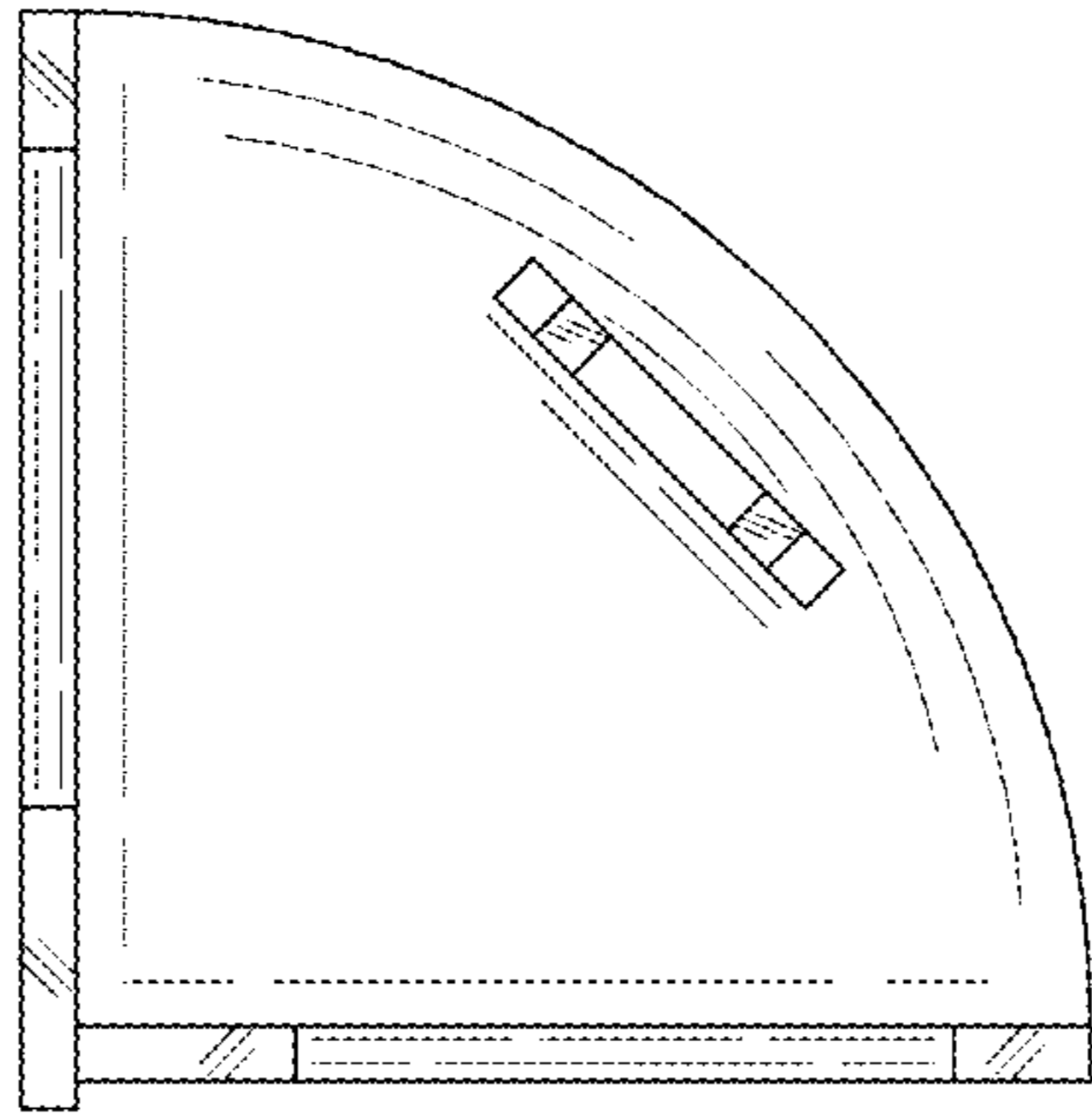


FIG.7