

US00D922109S

(12) **United States Design Patent** (10) **Patent No.:** **US D922,109 S**  
**Xu** (45) **Date of Patent:** **\*\* Jun. 15, 2021**

(54) **DISPLAY BOX ASSEMBLY**  
(71) Applicant: **Higher Technology Co., Ltd.**, Sanmen (CN)  
(72) Inventor: **Bin Xu**, Sanmen (CN)  
(73) Assignee: **HIGHER TECHNOLOGY CO., LTD.**, Sanmen (CN)

D406,055 S 2/1999 Klawiter  
D440,488 S \* 4/2001 Thompson ..... D9/415  
D470,641 S \* 2/2003 Emerzian ..... D34/12  
D498,135 S 11/2004 Rodrigue  
D528,411 S 9/2006 Nehus et al.  
D532,685 S 11/2006 Reussner  
D552,379 S 10/2007 Zandt  
D584,605 S 1/2009 Hedlund et al.  
D584,807 S \* 1/2009 Sundvik ..... D23/365  
(Continued)

(\*\*) Term: **15 Years**

*Primary Examiner* — Kelley A Donnelly  
(74) *Attorney, Agent, or Firm* — Knobbe, Martens, Olson & Bear, LLP

(21) Appl. No.: **29/772,084**

(22) Filed: **Feb. 26, 2021**

(51) **LOC (13) Cl.** ..... **06-06**

(52) **U.S. Cl.**  
USPC ..... **D6/675.5**; D9/415

(58) **Field of Classification Search**  
USPC ..... D6/672, 675, 675.1, 682, 682.1, 702;  
D9/414–415  
CPC ..... A47B 97/00; A47F 5/00; A47F 5/0018;  
A47F 5/0081; A47F 7/00; A47F 7/16;  
B65D 1/00; B65D 5/00; B65D 5/20;  
B65D 15/00; B65D 83/0088; B65D  
83/08; B65D 85/70  
See application file for complete search history.

(57) **CLAIM**

The ornamental design for a display box assembly, as shown and described.

**DESCRIPTION**

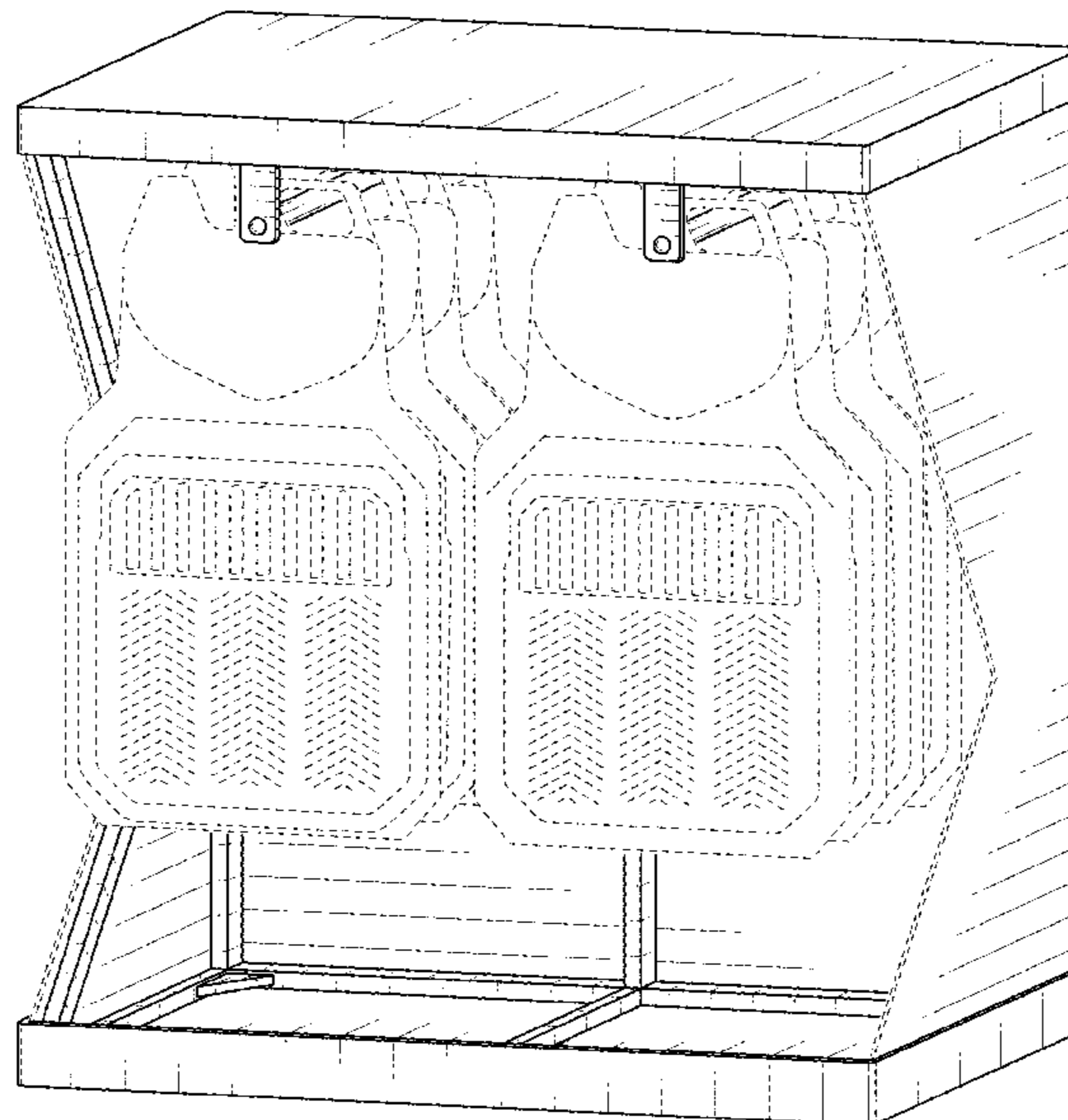
FIG. 1 is a top-front-right perspective view of a display box assembly, according to my new design;  
FIG. 2 is front elevational view thereof;  
FIG. 3 is a rear elevational view thereof;  
FIG. 4 is a right side elevational view thereof, a left side elevational view being a mirror image of the right side elevational view;  
FIG. 5 is a top plan view thereof, a bottom plan view being identical thereto;  
FIG. 6 is a top-front-right perspective view of an inner framework of the display box assembly, which is visible inside the display box assembly in use;  
FIG. 7 is an exploded view of an outer cladding of the display box assembly; and,  
FIG. 8 is a top-front-right perspective view of the outer cladding, assembled without the inner framework.  
Broken lines are used in the views to depict features which form no part of the claimed design, including environmental features showing the display box assembly in use and a front edge shape of side walls of the outer cladding.

(56) **References Cited**

U.S. PATENT DOCUMENTS

D78,089 S \* 3/1929 Cohn ..... D6/683.1  
D278,497 S \* 4/1985 Walpin ..... D6/675.5  
D278,873 S 5/1985 Thorneburg et al.  
D296,503 S 7/1988 Bell et al.  
D321,800 S 11/1991 Blum  
D326,198 S \* 5/1992 Pacetti ..... D34/19  
D326,378 S \* 5/1992 Yunger ..... D6/407  
D348,000 S 6/1994 Strasevicz et al.  
D360,358 S \* 7/1995 Steinfels, III ..... D9/415  
D364,513 S \* 11/1995 Andrews ..... D19/90  
D381,850 S \* 8/1997 Alig ..... D6/517

**1 Claim, 7 Drawing Sheets**



(56)

**References Cited**

U.S. PATENT DOCUMENTS

D592,889	S	5/2009	Carter et al.	
D603,188	S	* 11/2009	Wang .....	D6/675.5
D609,498	S	* 2/2010	Wang .....	D6/675.5
D680,423	S	4/2013	Wong	
D694,099	S	11/2013	Ensslen, III et al.	
D773,906	S	* 12/2016	Assaad .....	D7/703
D871,347	S	* 12/2019	Fioriello .....	D13/152
D885,804	S	* 6/2020	Ni .....	D6/675
D897,220	S	* 9/2020	Lemke .....	D9/750

\* cited by examiner

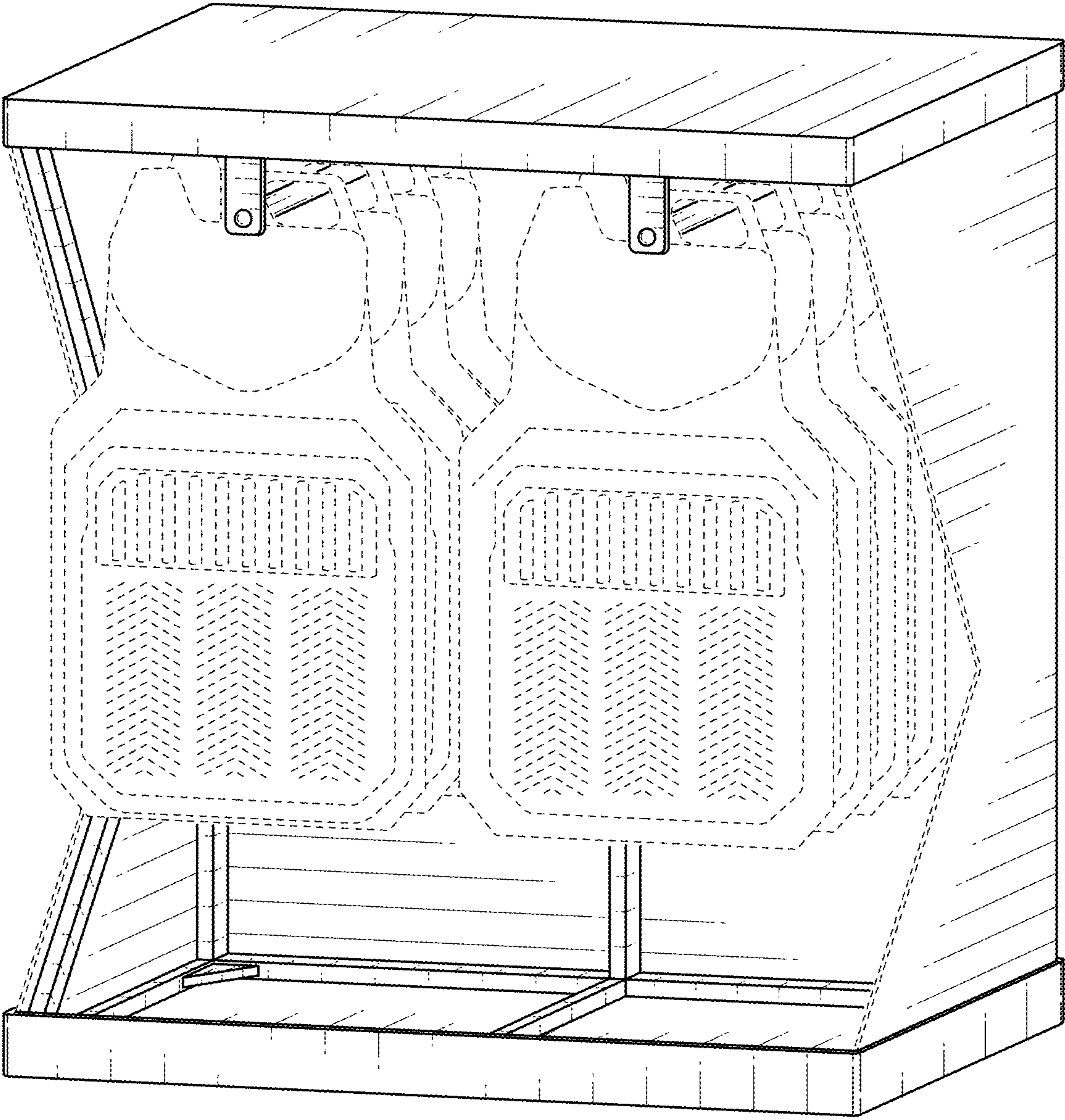


FIG. 1

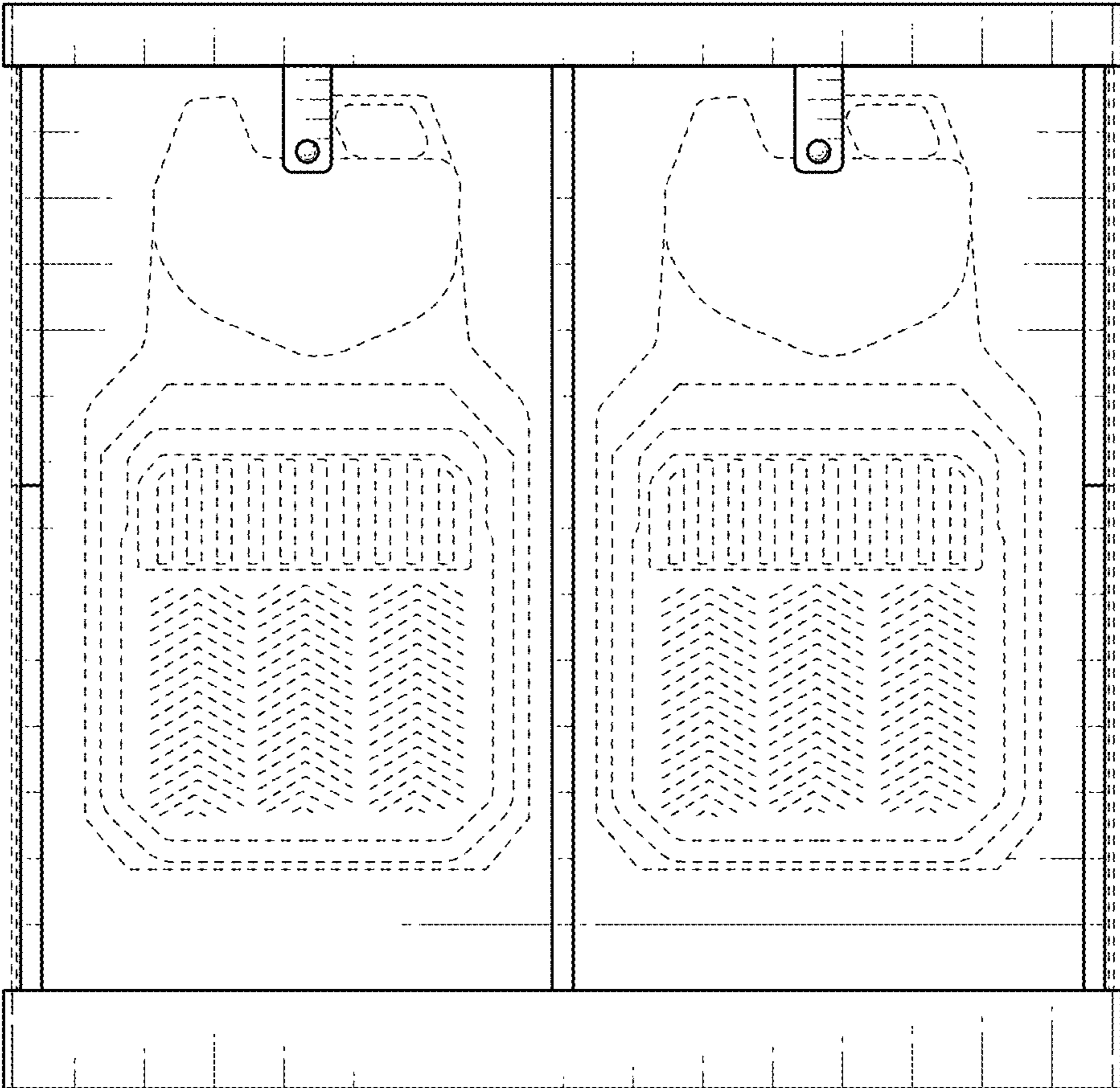


FIG. 2



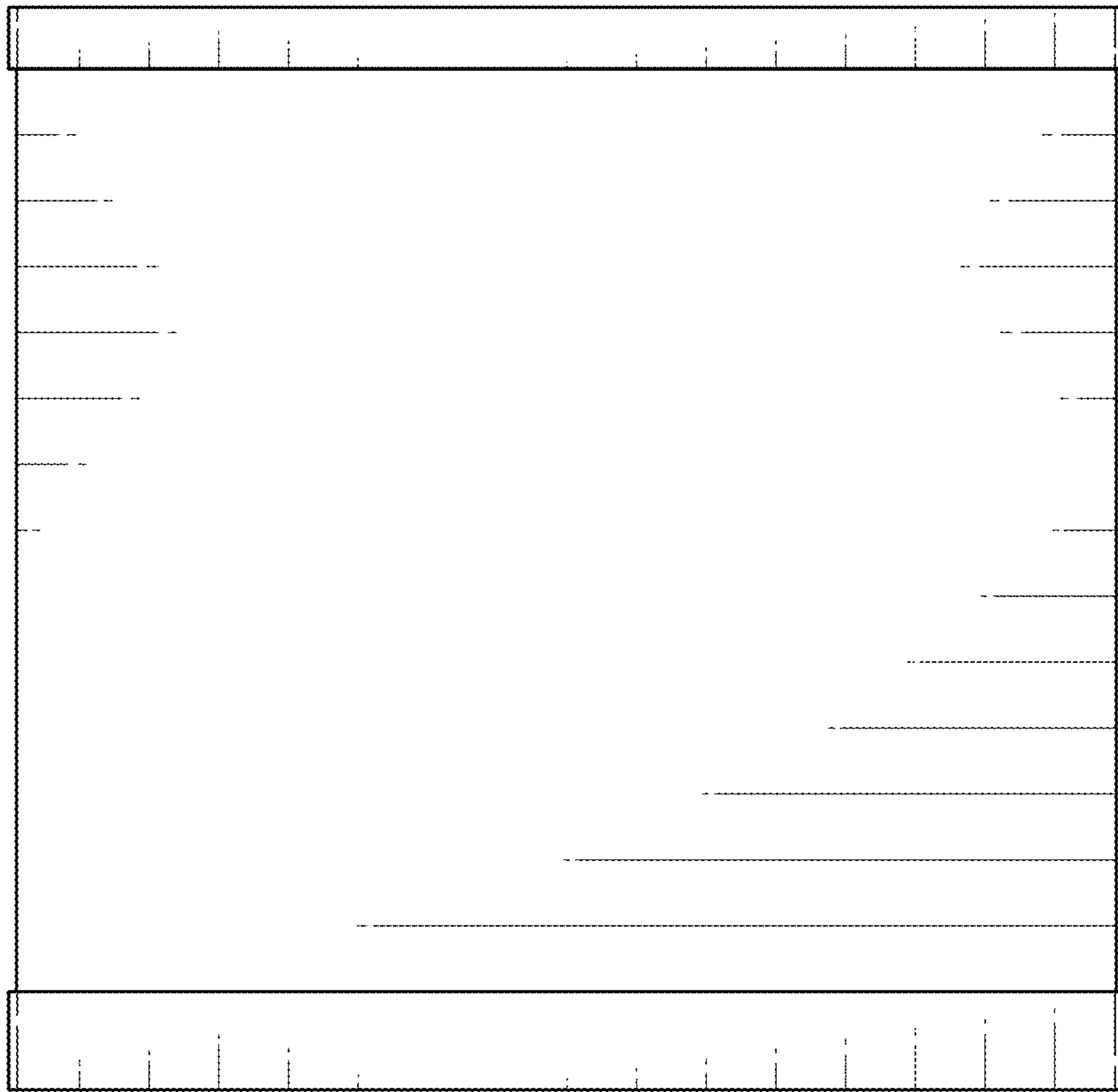


FIG. 3

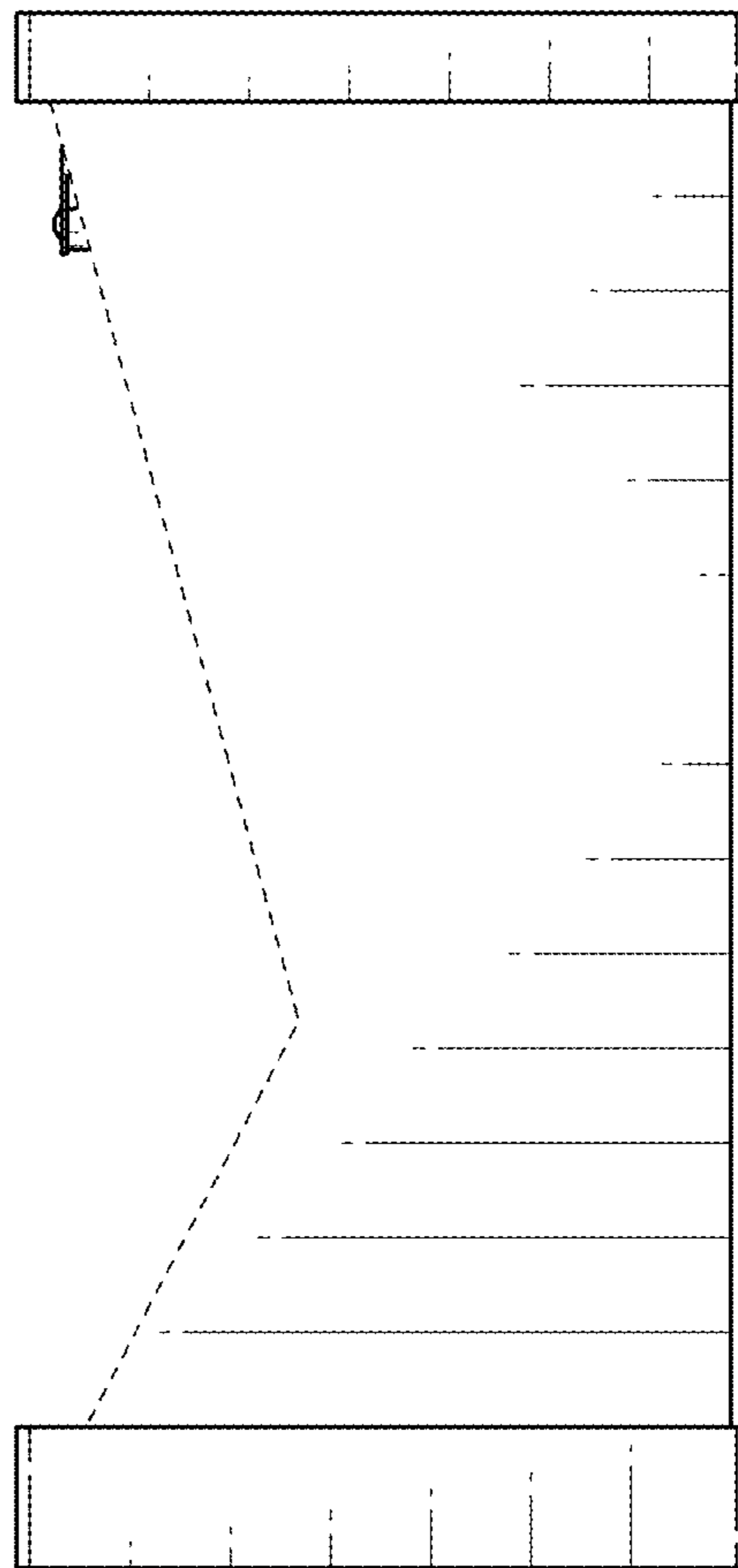


FIG. 4

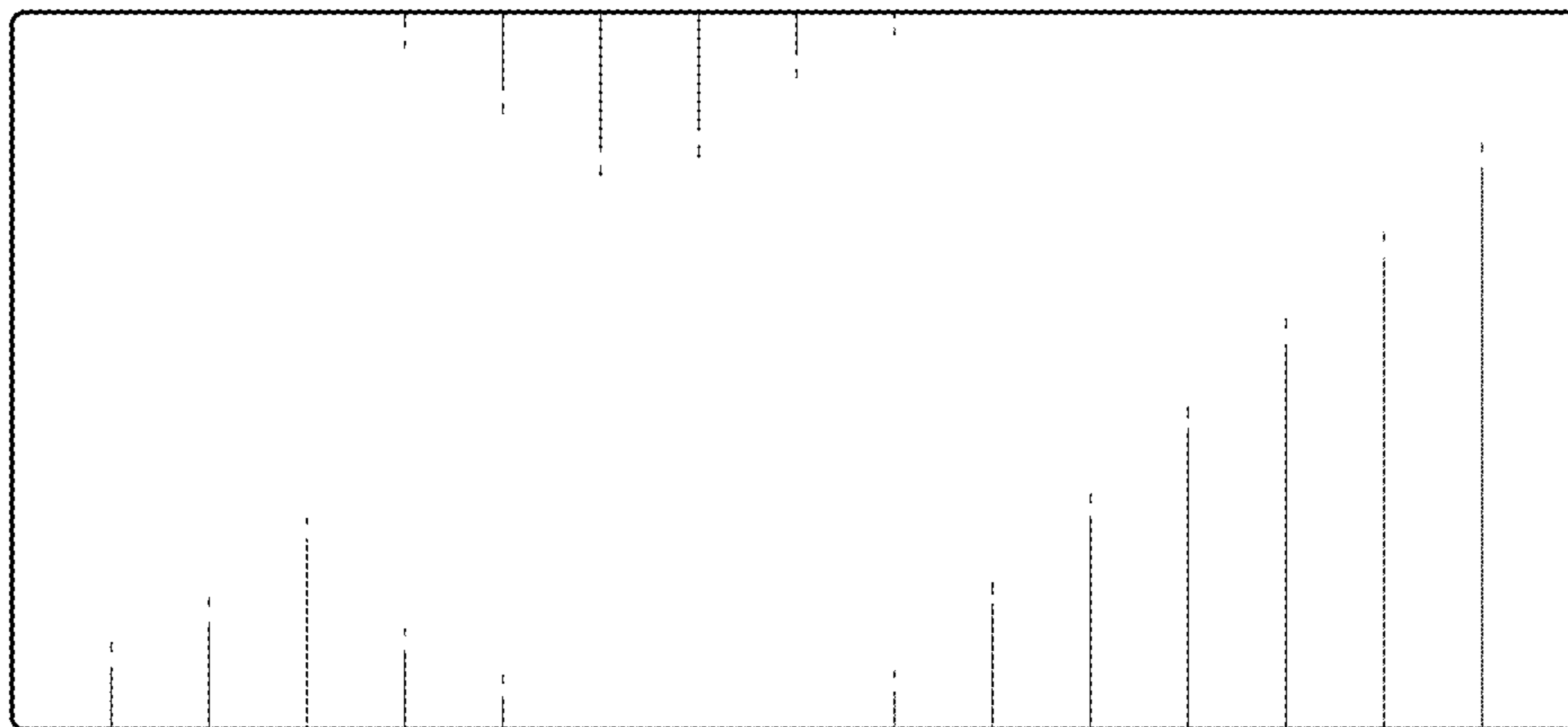


FIG. 5

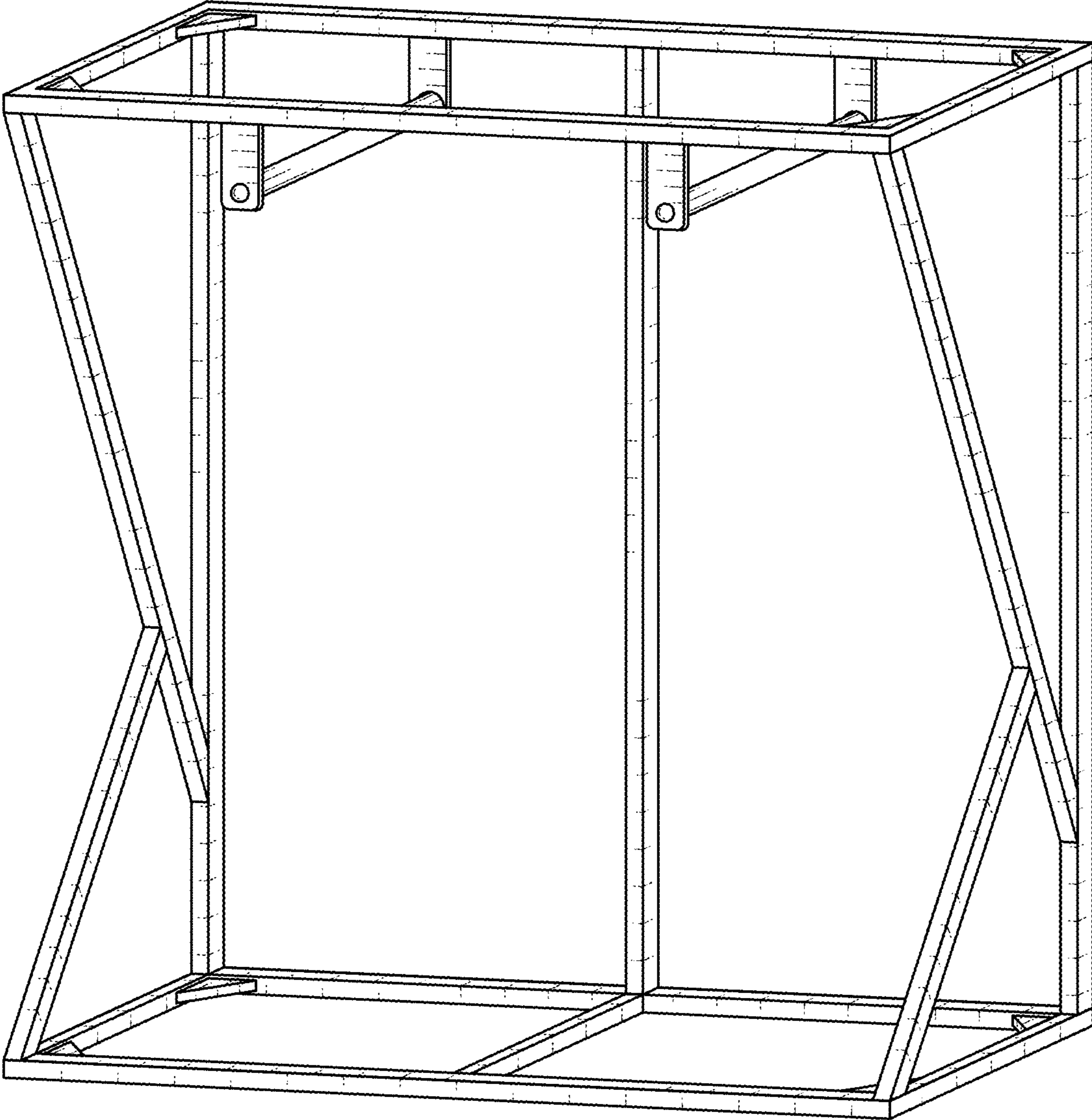


FIG. 6

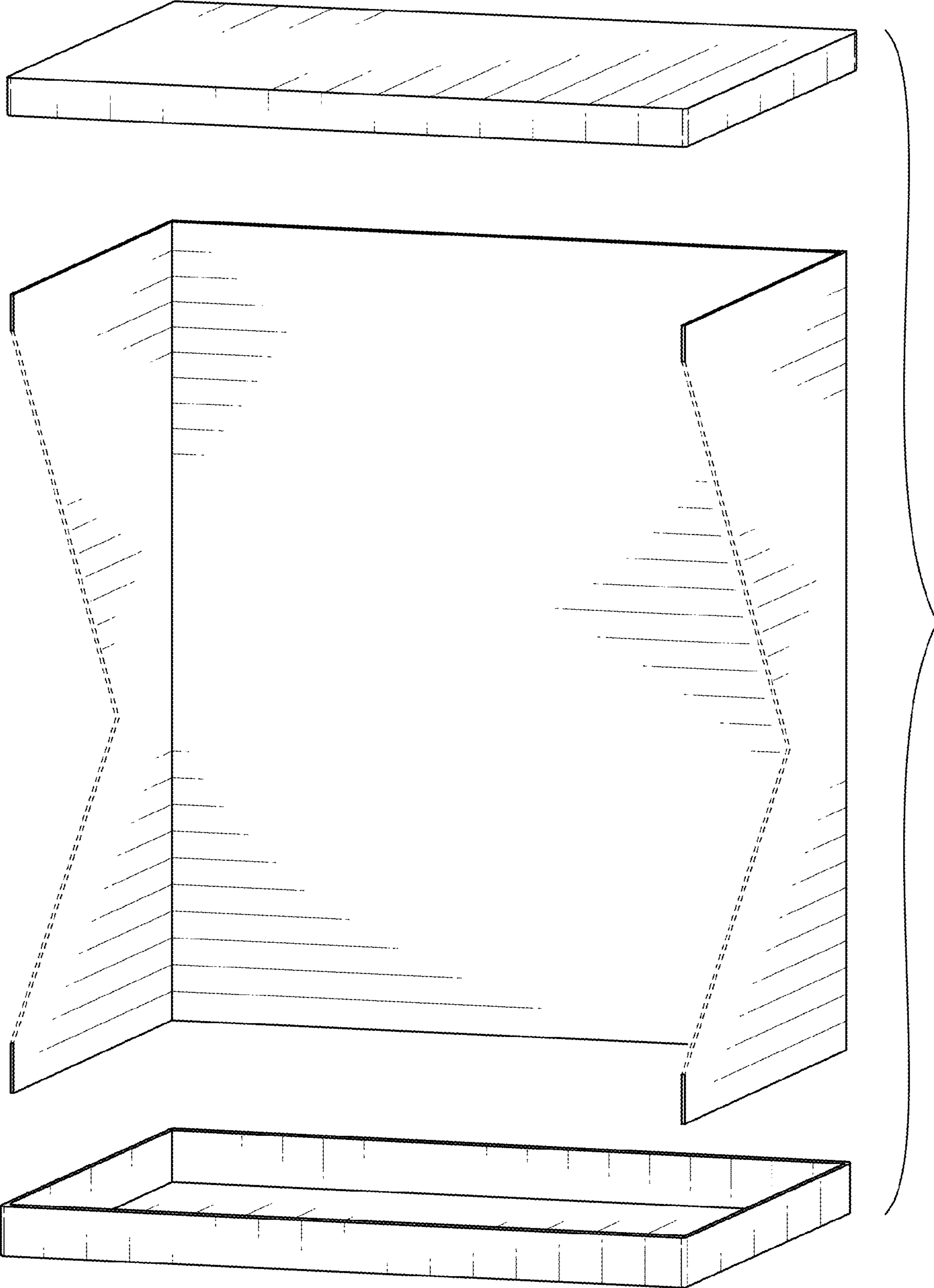


FIG. 7



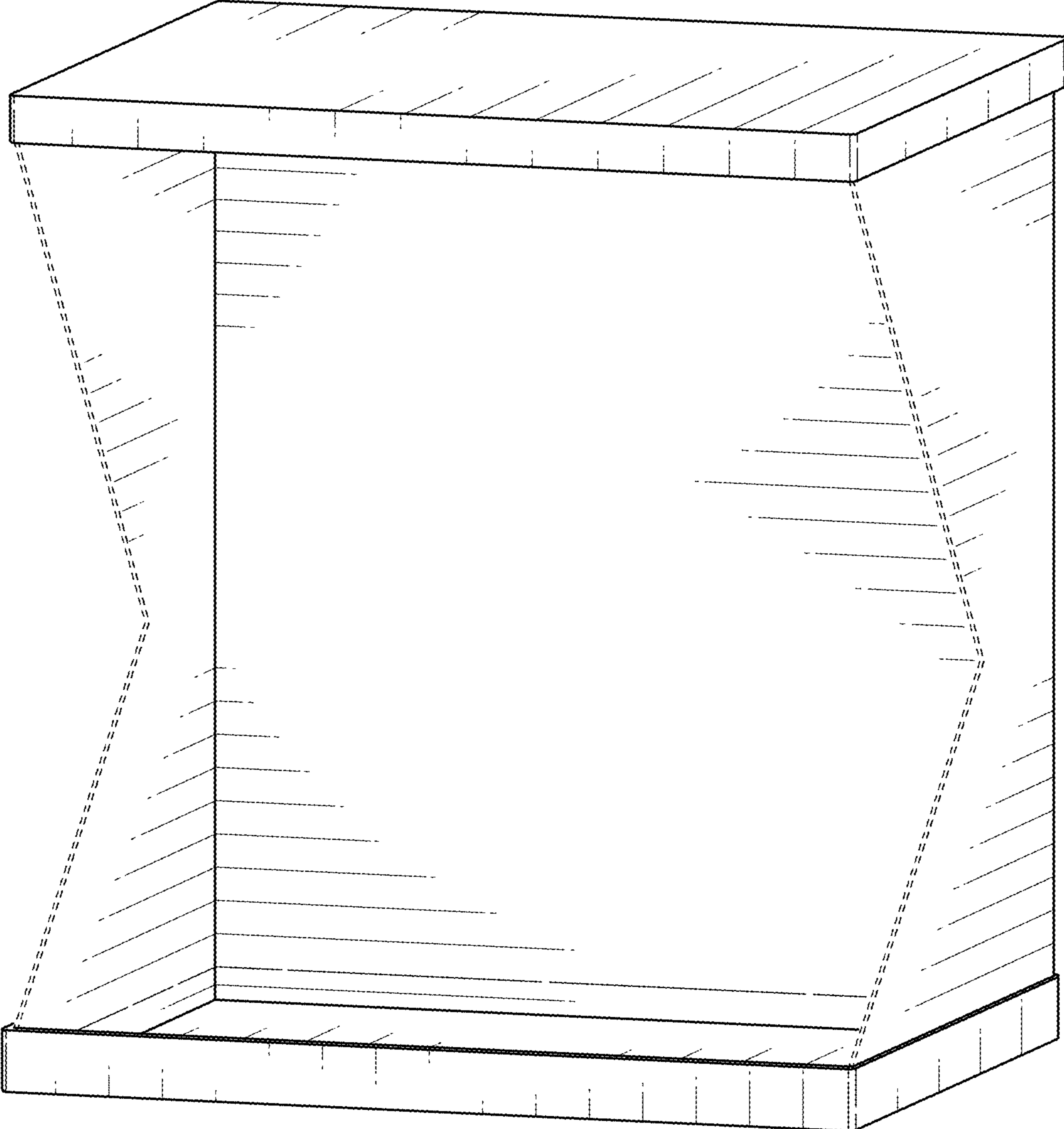


FIG. 8