



US00D922107S

(12) **United States Design Patent**
Theisen et al.

(10) **Patent No.:** **US D922,107 S**
(45) **Date of Patent:** **** Jun. 15, 2021**

- (54) **DISPLAY UNIT**
- (71) Applicant: **Target Brands, Inc.**, Minneapolis, MN (US)
- (72) Inventors: **Jennifer A. Theisen**, Crystal, MN (US);
William Y. Stafford, Minnetrista, MN (US)
- (73) Assignee: **Target Brands, Inc.**, Minneapolis, MN (US)
- (**) Term: **15 Years**
- (21) Appl. No.: **29/689,697**
- (22) Filed: **May 1, 2019**
- (51) **LOC (13) Cl.** **20-02**
- (52) **U.S. Cl.**
USPC **D6/672**
- (58) **Field of Classification Search**
USPC D6/329, 657, 659, 672, 675, 675.5, 676,
D6/681, 681.2
CPC A47F 1/00; A47F 1/12; A47F 1/121; A47F
3/00; A47F 3/08; A47F 5/00; A47F
5/0018; A47F 5/0081; A47F 5/01; A47F
5/08; A47F 5/0876; A47F 5/0892; A47F
7/19
See application file for complete search history.

(56) **References Cited**

U.S. PATENT DOCUMENTS

D70,515 S *	7/1926	Turpisch et al.	D6/682.4
D82,082 S *	9/1930	Finch et al.	D6/676.1
2,914,872 A *	12/1959	Goodrich	A47B 97/00 40/124
3,314,551 A *	4/1967	Plastow	E04H 1/1272 211/199
3,559,814 A *	2/1971	Downing	A47F 5/103 211/135
3,931,894 A *	1/1976	Murphy	A47F 5/00 211/189

D244,659 S *	6/1977	Coles	D6/675
4,035,941 A *	7/1977	Deffner	G09F 13/12 40/219
4,148,533 A *	4/1979	Bustos	G09F 23/06 108/23
4,319,688 A *	3/1982	Wahl	A47F 5/00 211/175
4,428,136 A *	1/1984	Franklin	A47F 11/00 211/175
D276,680 S *	12/1984	Miller	D6/676
4,541,675 A *	9/1985	Everett	A47F 5/00 211/175
D288,641 S *	3/1987	Kester	D6/675.2
4,657,149 A *	4/1987	Masson	A47F 5/105 160/135
4,696,407 A *	9/1987	Franklin	A47F 5/101 211/183

(Continued)

Primary Examiner — Steven J Czyz

(74) *Attorney, Agent, or Firm* — Leanne Taveggia Farrel;
Westman, Champlin & Koehler, P.A.

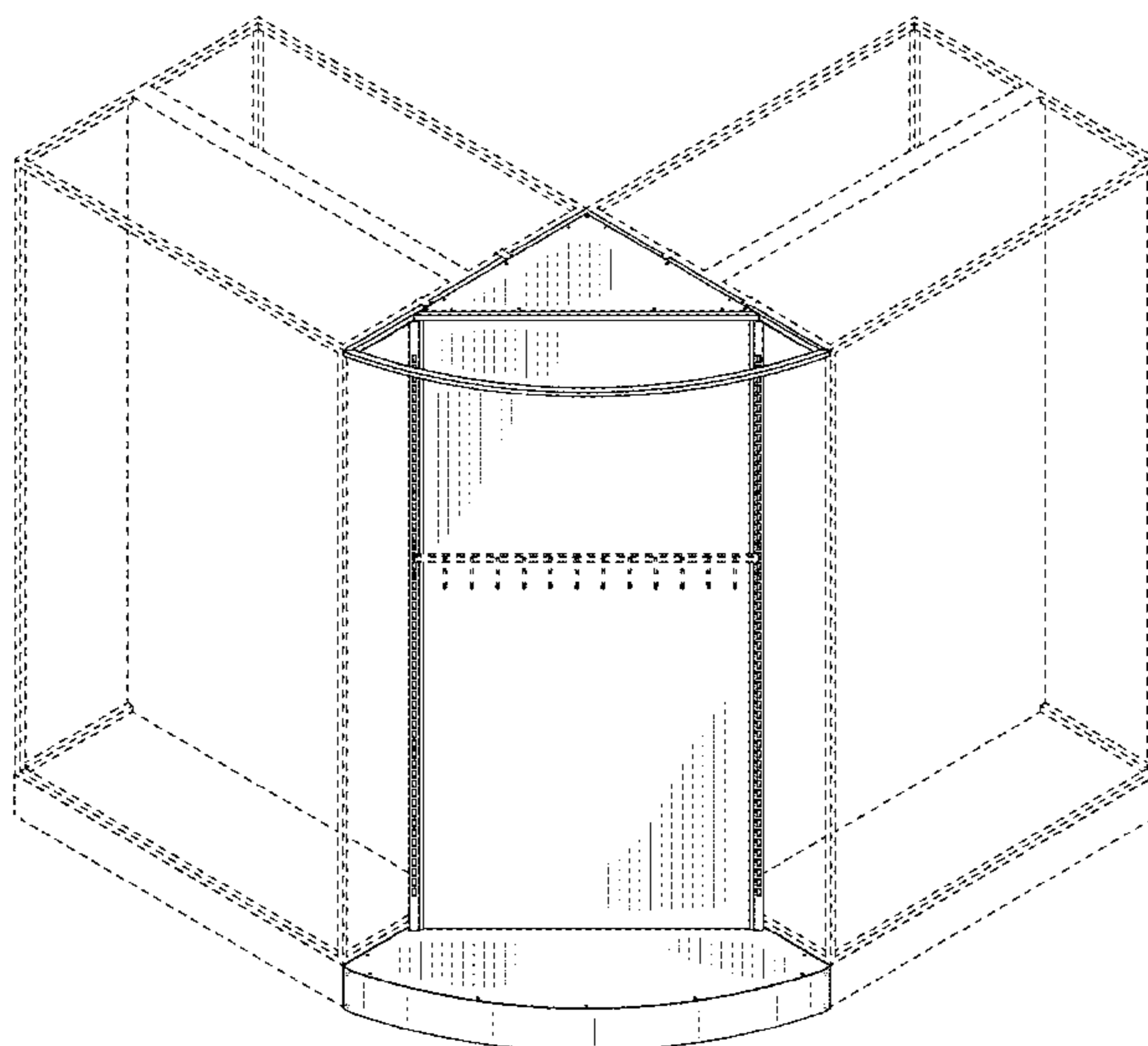
(57) **CLAIM**

The ornamental design for a display unit, as shown and described.

DESCRIPTION

FIG. 1 is a front perspective view of a display unit showing our new design;
 FIG. 2 is a back perspective view thereof;
 FIG. 3 is a top view thereof;
 FIG. 4 is a front view thereof;
 FIG. 5 is a back view thereof;
 FIG. 6 is a left side view thereof; and,
 FIG. 7 is a right side view thereof.
 The broken lines depict portions of the article that form no part of the claimed design. The small dots representing screw elements in FIGS. 1-3 form no part of the claimed design.

1 Claim, 7 Drawing Sheets



(56)

References Cited

U.S. PATENT DOCUMENTS

4,707,940 A * 11/1987 Franklin A47F 5/10
211/199
D293,176 S * 12/1987 Miller D6/657
D293,525 S * 1/1988 Miller D6/657
D294,090 S * 2/1988 Robertson D6/675.1
D296,503 S * 7/1988 Bell D6/675
D307,083 S * 4/1990 Knudsen D6/676.1
D314,477 S * 2/1991 Richter D6/676.1
D314,874 S * 2/1991 Quartermaine D6/657
D322,188 S * 12/1991 Leis D6/675.5
5,078,283 A * 1/1992 Wilson A47F 5/101
160/135
5,083,844 A * 1/1992 Gruenberg A47B 47/03
312/140
D325,137 S * 4/1992 Porter D6/676.1
D325,481 S * 4/1992 Leis A47F 5/0846
D6/675
D327,788 S * 7/1992 Allen 108/1
D370,367 S * 6/1996 Cassier A47F 5/101
D6/676
5,620,103 A * 4/1997 Vlah A47F 5/105
211/175
D386,327 S * 11/1997 Rotchin A47F 5/00
D25/16
D402,133 S * 12/1998 Anderson A47F 5/103
D6/657

D439,768 S * 4/2001 Heiny E04H 1/1272
D6/672
D454,266 S * 3/2002 Kelley A47B 47/03
D6/676.1
6,920,990 B2 * 7/2005 Krueger A47B 91/00
211/183
D613,980 S * 4/2010 Bucholz D6/514
7,988,244 B2 * 8/2011 Haws, Jr. A47F 3/004
312/108
9,192,251 B1 * 11/2015 Theisen A47F 5/0018
9,217,273 B2 * 12/2015 Floersch E06B 3/805
D747,125 S * 1/2016 Clark D6/675
D751,843 S * 3/2016 Clark D6/675
D763,016 S * 8/2016 Clark D6/675
D764,213 S * 8/2016 Clark D6/675
D764,840 S * 8/2016 Pinna D6/672
D808,201 S * 1/2018 Hawkins D6/675.2
D811,136 S * 2/2018 Nelson D6/678
D818,291 S * 5/2018 Aguilera D6/676.2
D820,012 S * 6/2018 Etterling D6/682
10,021,996 B2 * 7/2018 Cantwell A47F 5/0876
D835,925 S * 12/2018 Denby D6/675
10,299,610 B2 * 5/2019 Hawkins A47F 5/0846
D856,716 S * 8/2019 Music D6/657
D868,505 S * 12/2019 Music D6/657
D869,207 S * 12/2019 Aruga D6/676
D884,397 S * 5/2020 Stafford D6/678.1
D901,947 S * 11/2020 Music D6/672

* cited by examiner

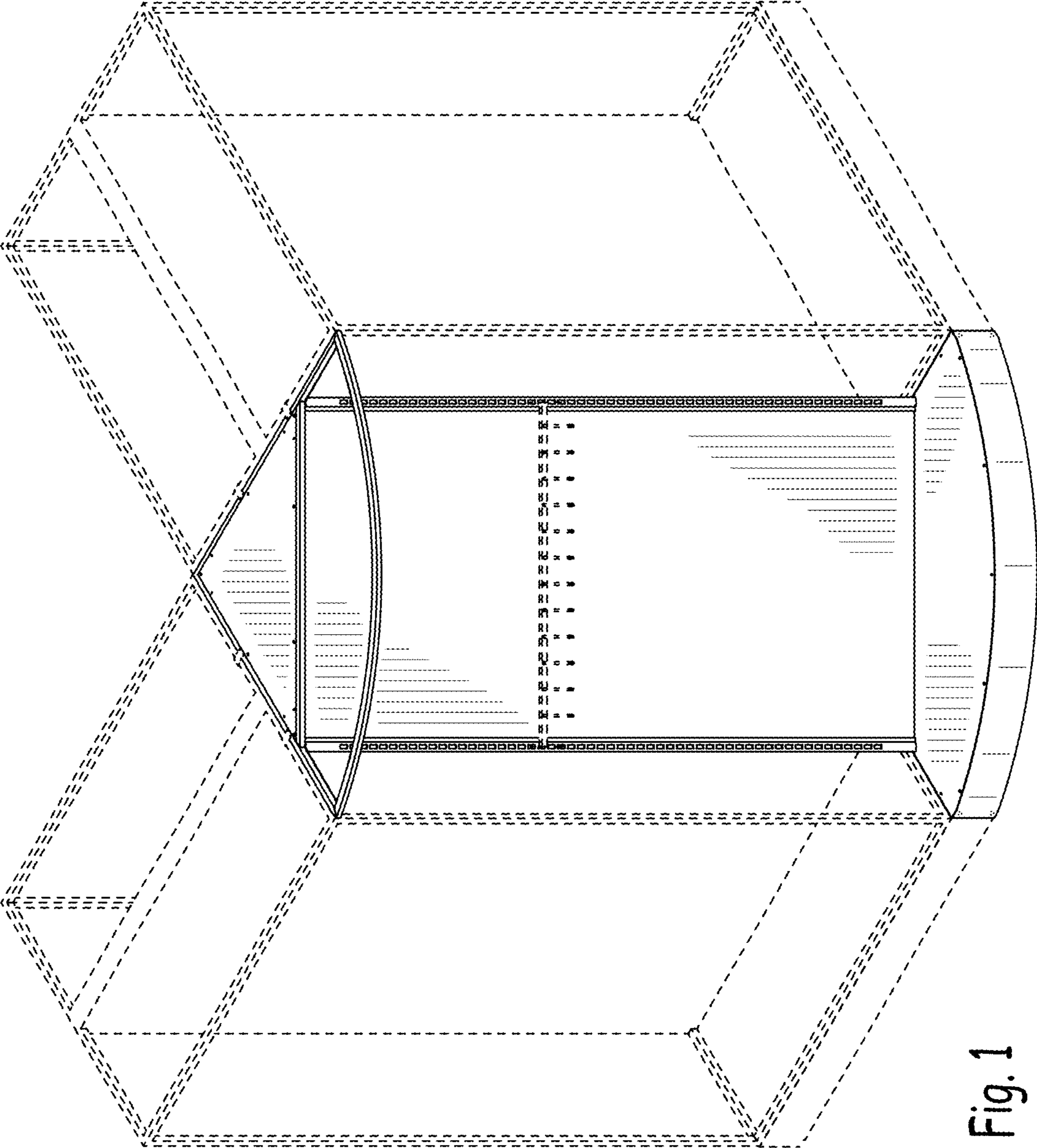


Fig. 1

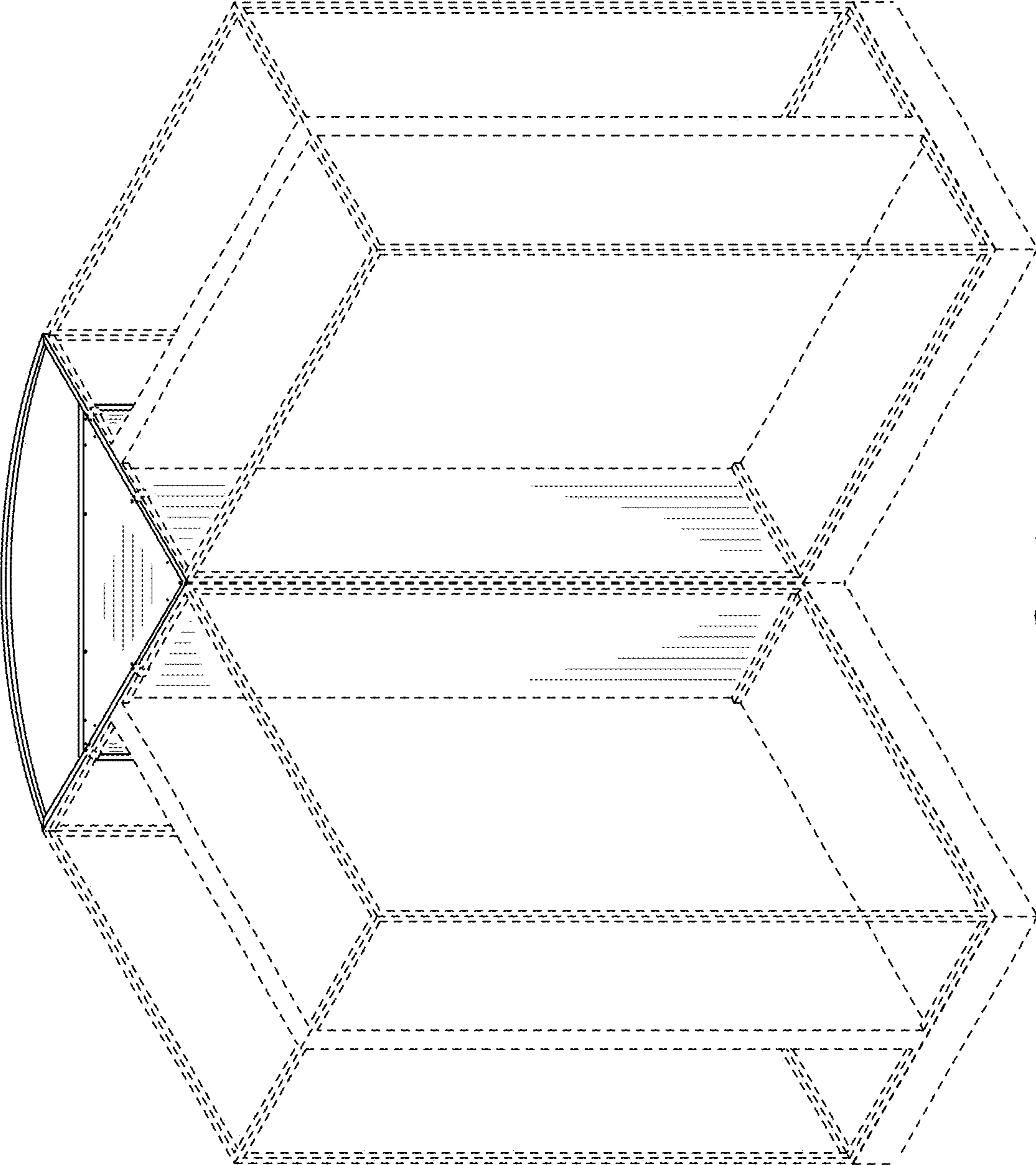


Fig. 2

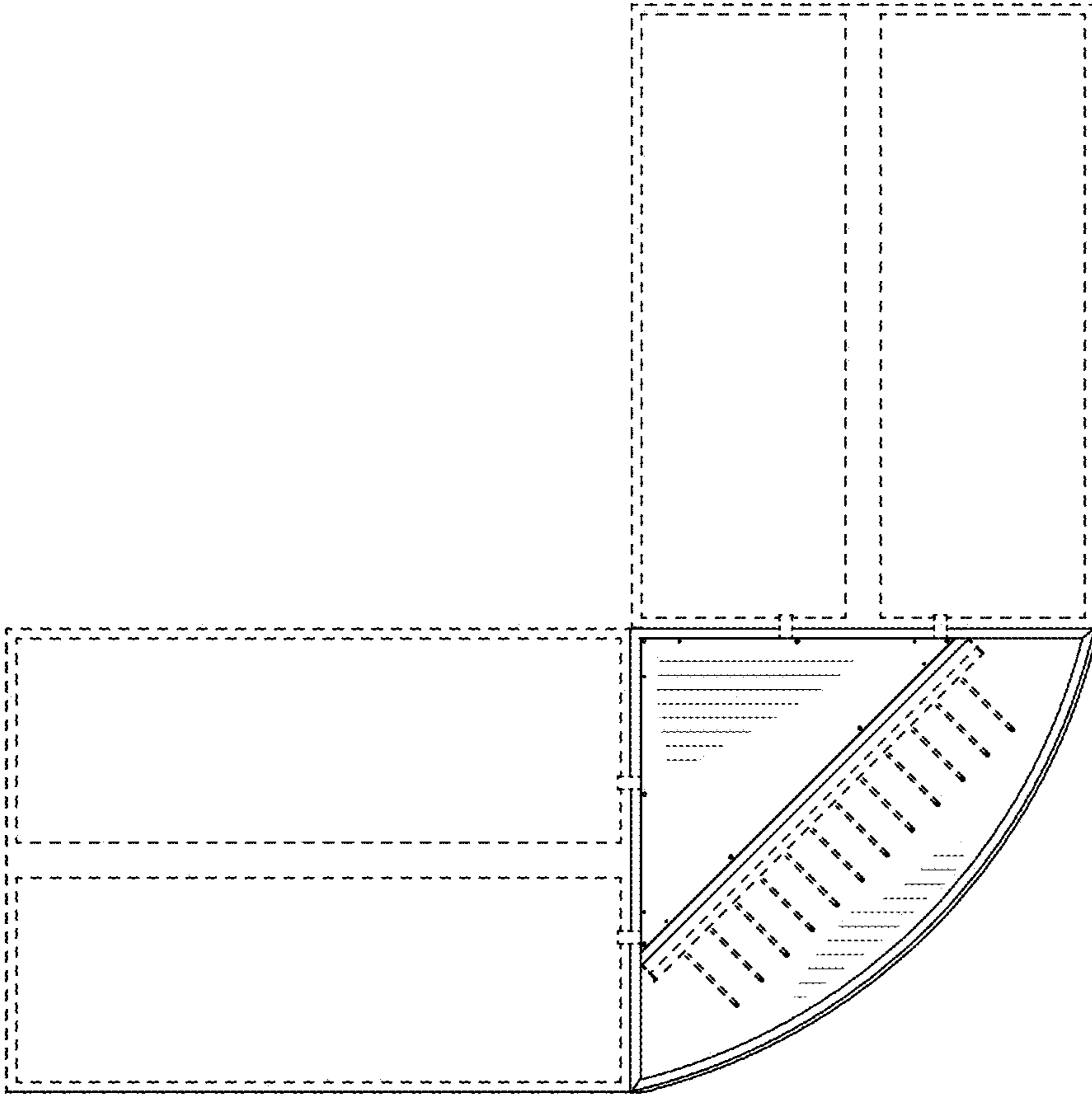


Fig. 3

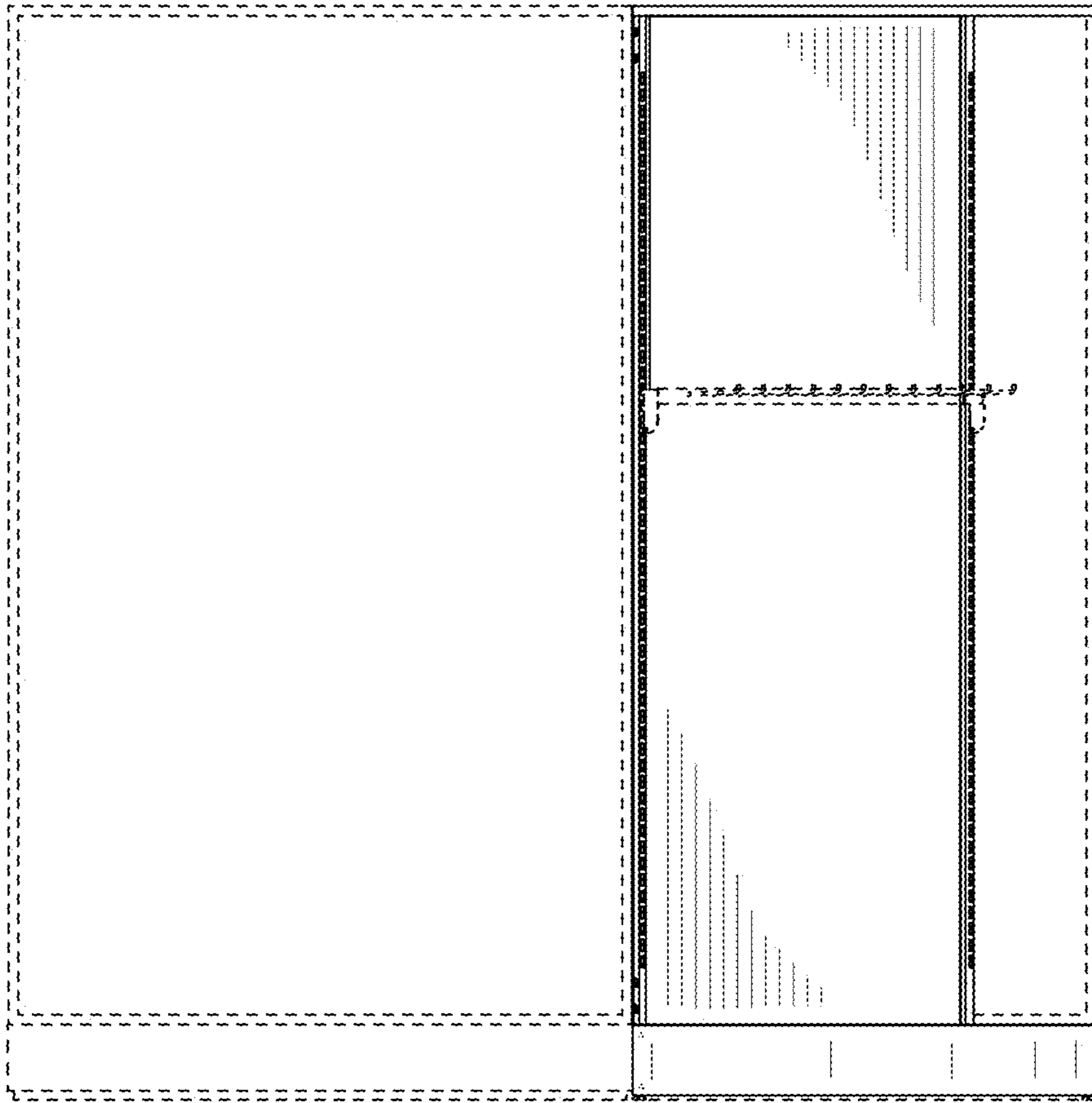


Fig. 4

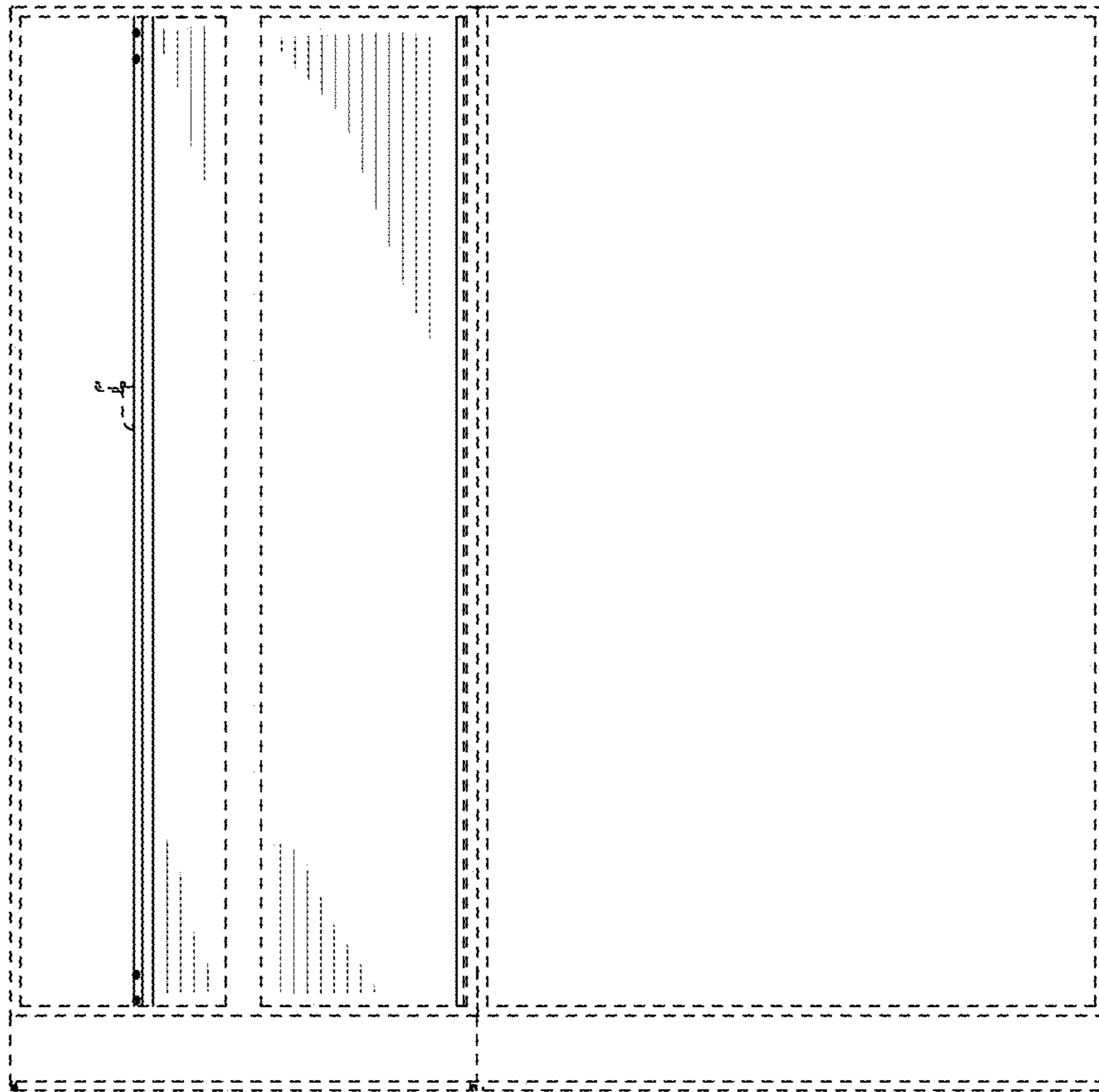


Fig. 5

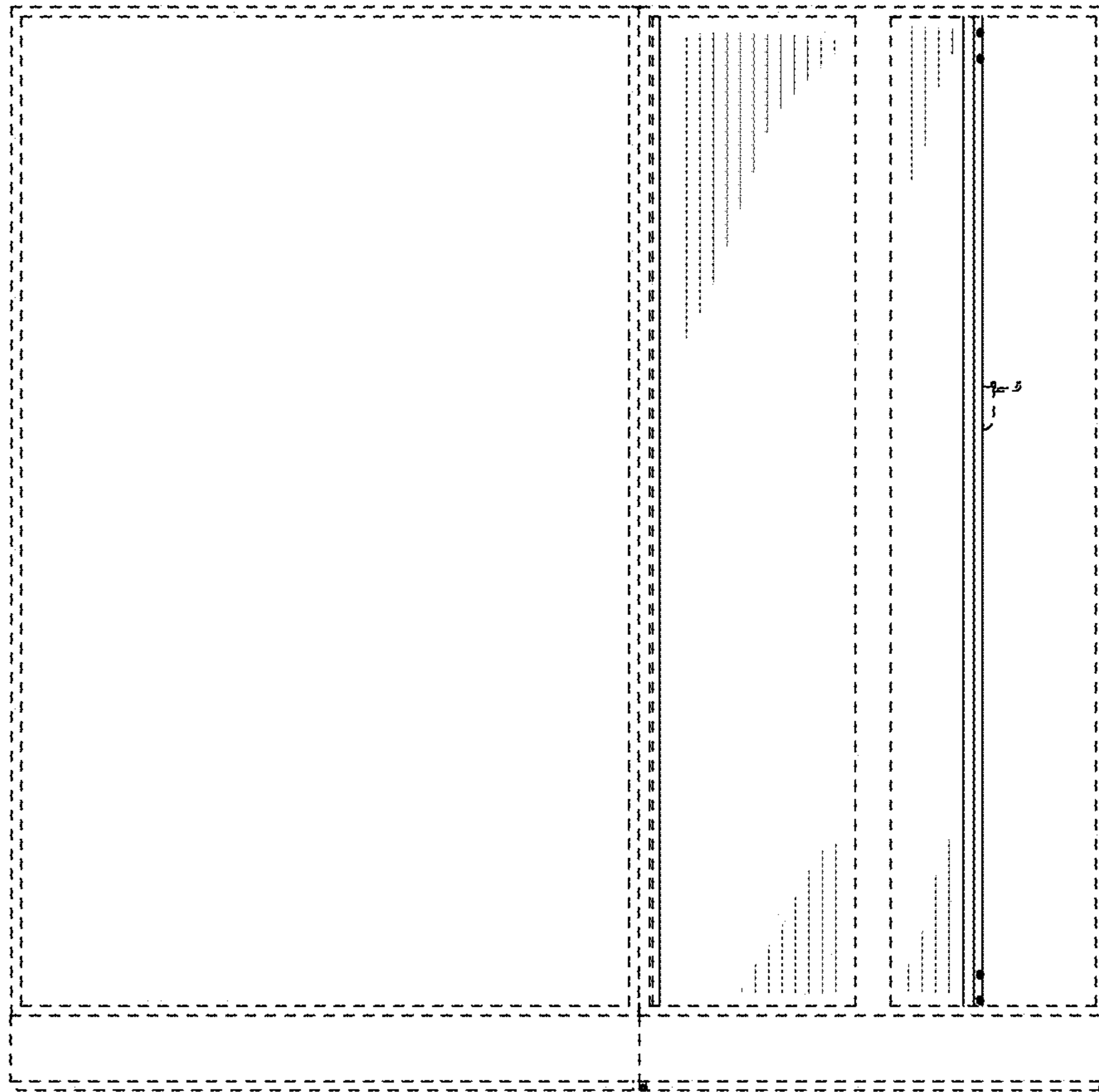


Fig. 6

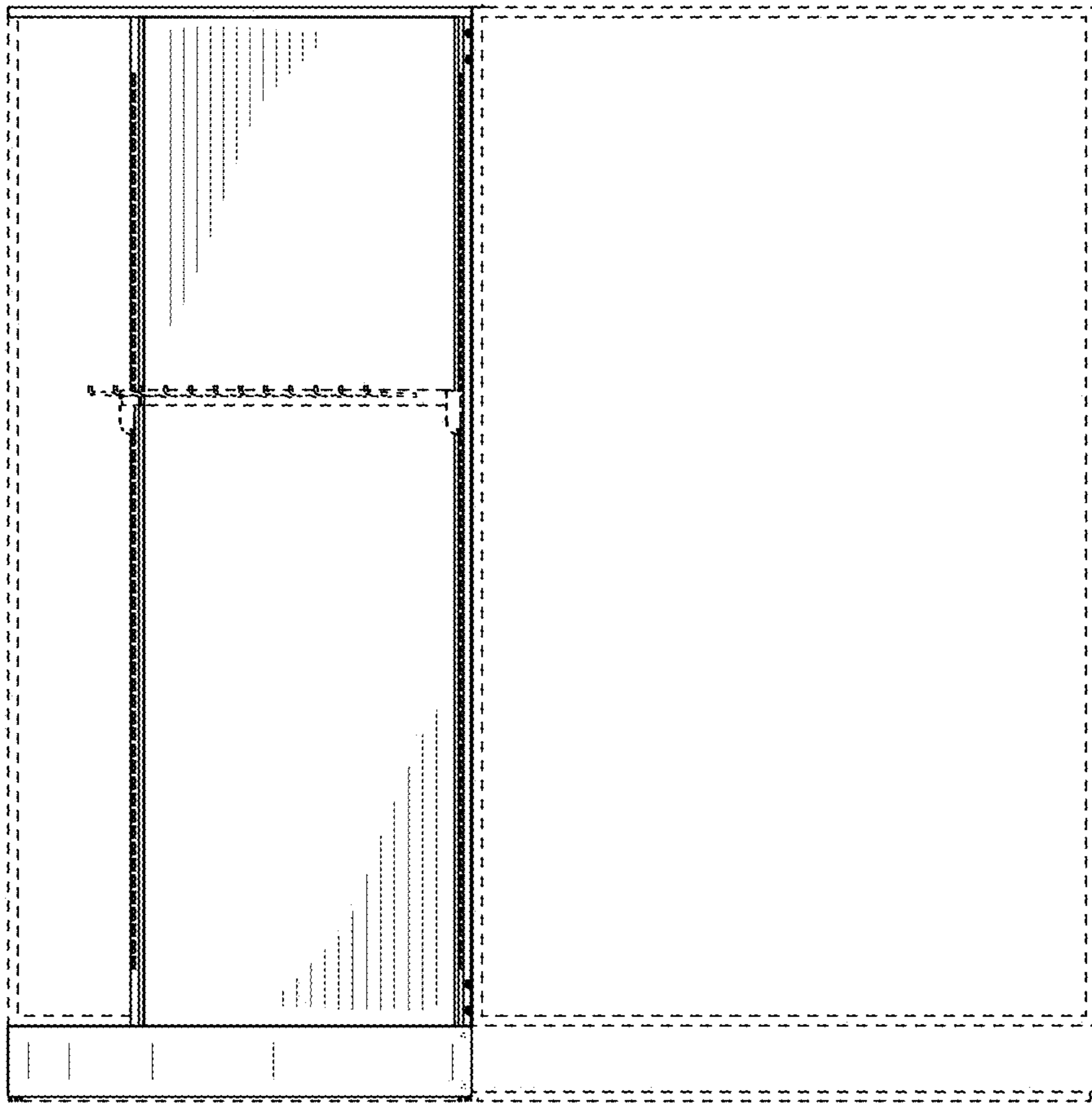


Fig. 7