



US00D922105S

(12) **United States Design Patent**
Pereira

(10) **Patent No.:** **US D922,105 S**
(45) **Date of Patent:** **** Jun. 15, 2021**

(54) **OFFICE TABLE**

(71) Applicant: **BI-SILQUE, S.A.**, Esmoriz (PT)

(72) Inventor: **Adriano Alexandre Oliveira Pereira**,
Esmoriz (PT)

(**) Term: **15 Years**

(21) Appl. No.: **35/508,637**

(22) Filed: **Jul. 1, 2019**

(80) **Hague Agreement Data**

Int. Filing Date: **Jul. 1, 2019**

Int. Reg. No.: **DM/205817**

Int. Reg. Date: **Jul. 1, 2019**

Int. Reg. Pub. Date: **Feb. 14, 2020**

(51) **LOC (13) Cl.** **06-03**

(52) **U.S. Cl.**
USPC **D6/656.19**; D6/656.13

(58) **Field of Classification Search**
USPC D6/641, 642, 656, 656.1, 656.13, 656.14,
D6/656.16, 656.19, 691, 691.5, 691.6
CPC .. A47B 7/00; A47B 9/00; A47B 13/00; A47B
13/02; A47B 13/04; A47B 13/06; A47B
13/08; A47B 13/10; A47B 13/12; A47B
17/00; A47B 17/003; A47B 17/006; A47B
21/00; A47B 2200/0001; A47B
2200/0002; A47B 2200/02; A47B
2200/0011; A47B 2200/002
See application file for complete search history.

(56) **References Cited**

U.S. PATENT DOCUMENTS

D149,524 S * 5/1948 Sundberg D6/691.6
D168,430 S * 12/1952 Wright A47B 13/02
D6/691.6
D185,185 S * 5/1959 Anthon A47B 3/06
D6/691.6
D210,606 S * 3/1968 Hamilton D6/691.6
D286,479 S * 11/1986 Marchesini D6/691.5
D325,834 S * 5/1992 Fredrick D6/691.6

D361,230 S * 8/1995 Vignelli D6/685
D604,958 S * 12/2009 Symons D6/656
D720,169 S * 12/2014 Lenhart D6/708.16

(Continued)

OTHER PUBLICATIONS

Dry earase desk Douro by Archyi—Ambists.vom <https://www.ambista.com/en/tables-for-the-object-area/dry-erase-desk-douro-45718> retrieved from the internet on Feb. 2, 2021.*

(Continued)

Primary Examiner — Mary Ann Calabrese

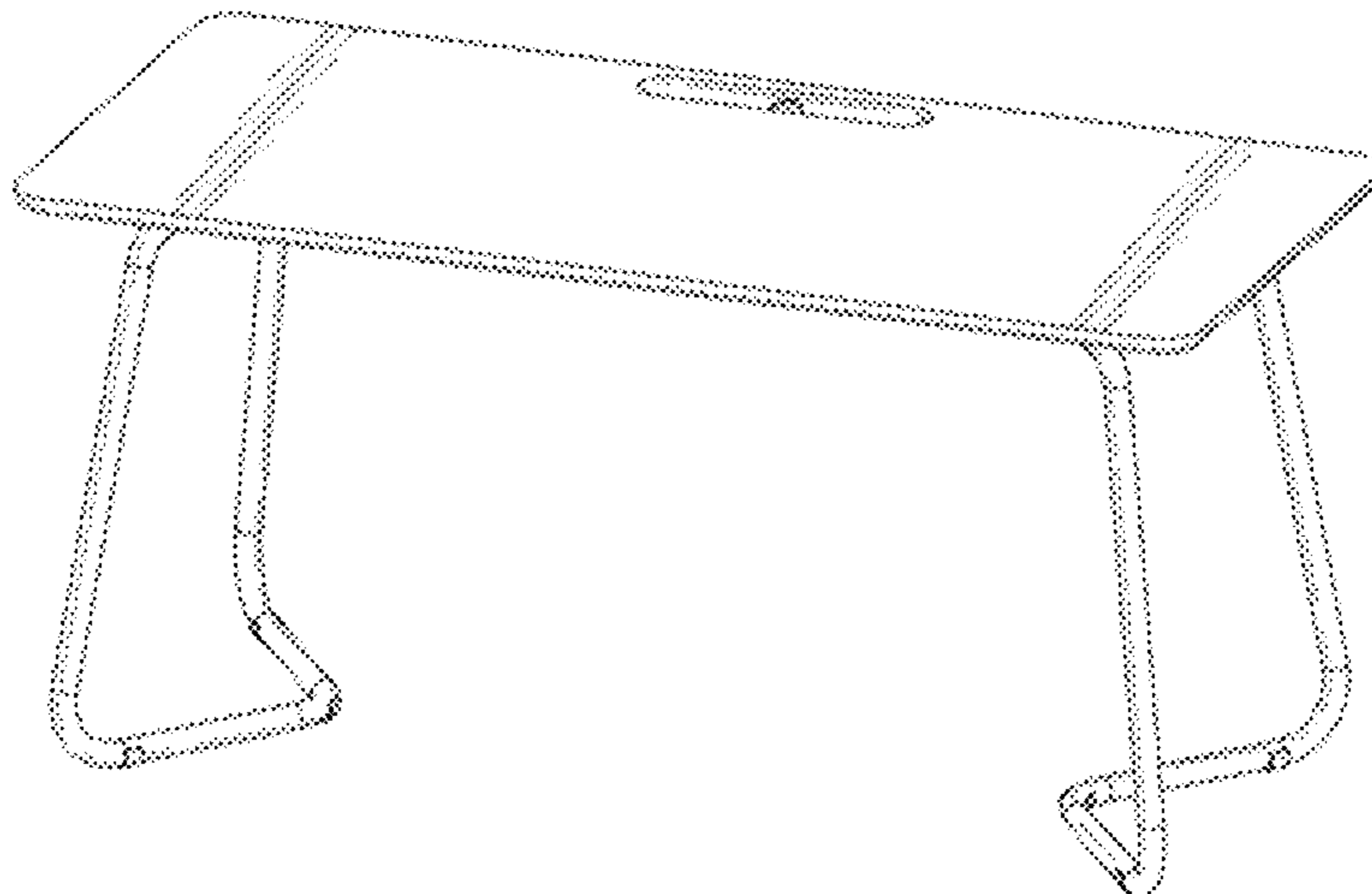
(57) **CLAIM**

The ornamental design for an office table, as shown and described.

DESCRIPTION

- 1.-3. Office table
- 1.1 : Front
- 1.2 : Top
- 1.3 : Right
- 1.4 : Bottom
- 1.5 : Left
- 1.6 : Perspective
- 1.7 : Back
- 2.1 : Front
- 2.2 : Bottom
- 2.3 : Left
- 2.4 : Perspective
- 2.5 : Right
- 2.6 : Top
- 2.7 : Back
- 3.1 : Front
- 3.2 : Left
- 3.3 : Perspective
- 3.4 : Bottom
- 3.5 : Right
- 3.6 : Top
- 3.7 : Back

1 Claim, 21 Drawing Sheets



(56)

References Cited

U.S. PATENT DOCUMENTS

2012/0055380 A1* 3/2012 Chung A47B 3/06
108/127
2016/0178114 A1* 6/2016 Hoyle A47B 13/02
248/188.3

OTHER PUBLICATIONS

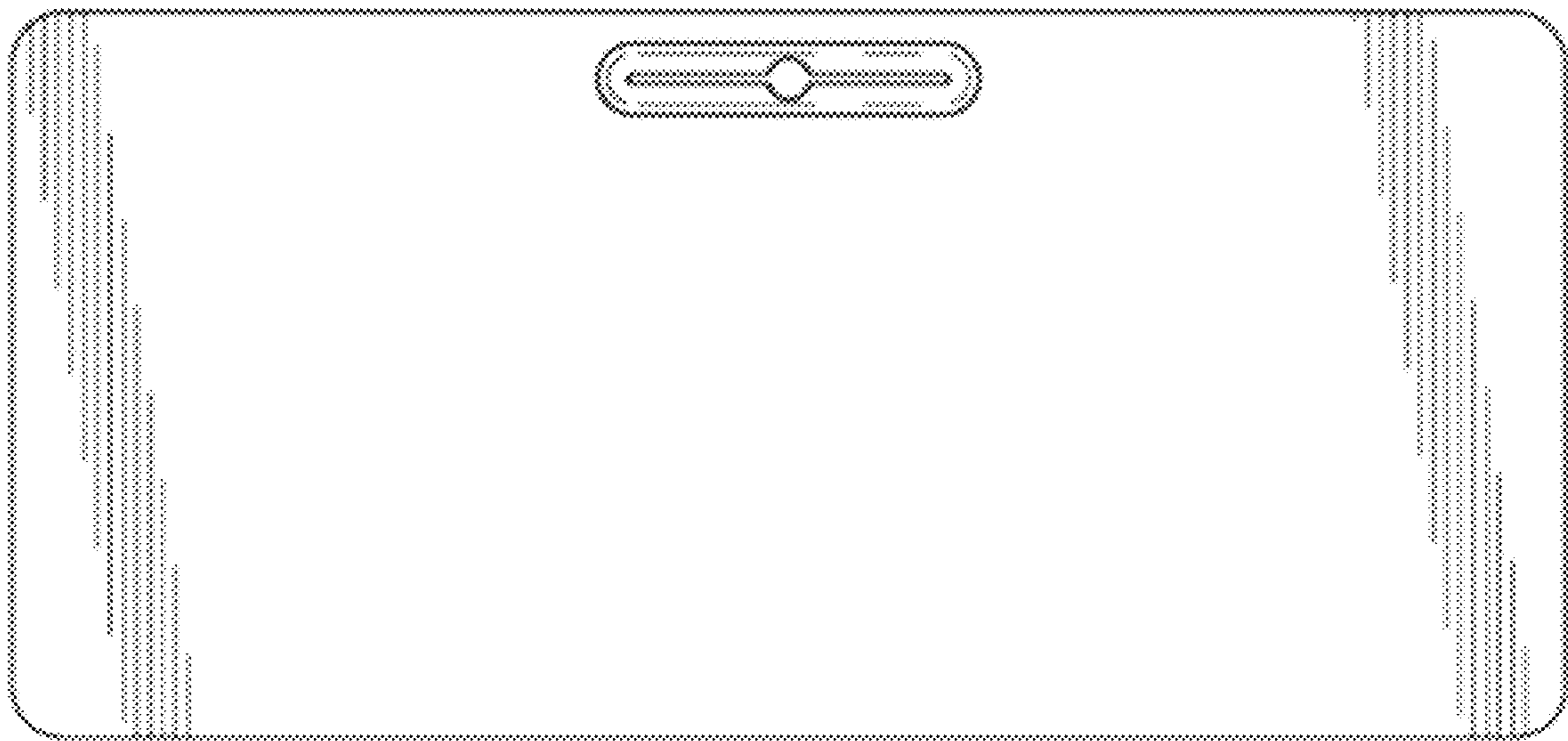
Archi Desks and Tables—Archi.com <https://www.archyi-inspiration.com/en/products/desks-and-tables> retrieved from the internet on Feb. 2, 2021.*

* cited by examiner

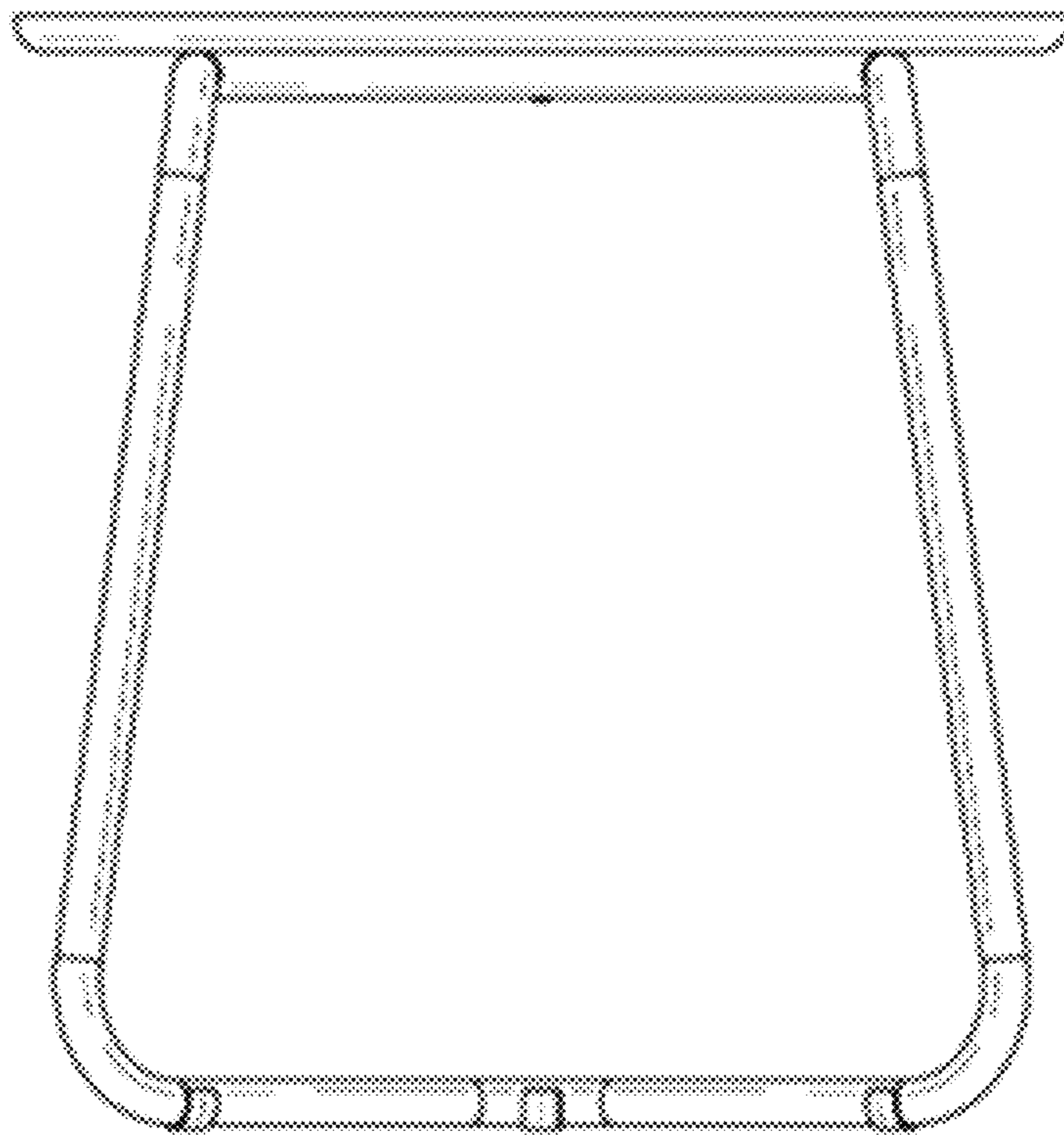
1.1



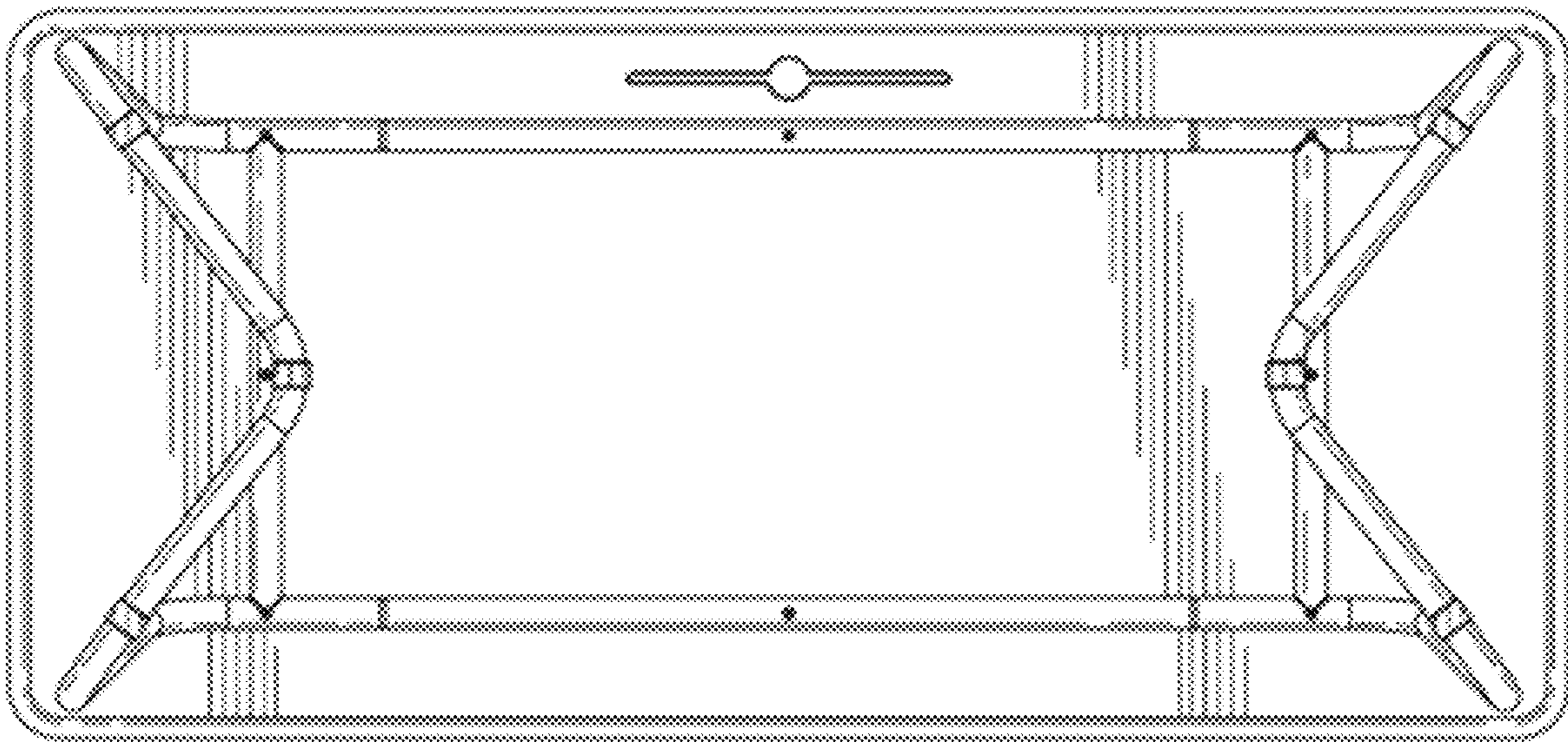
1.2



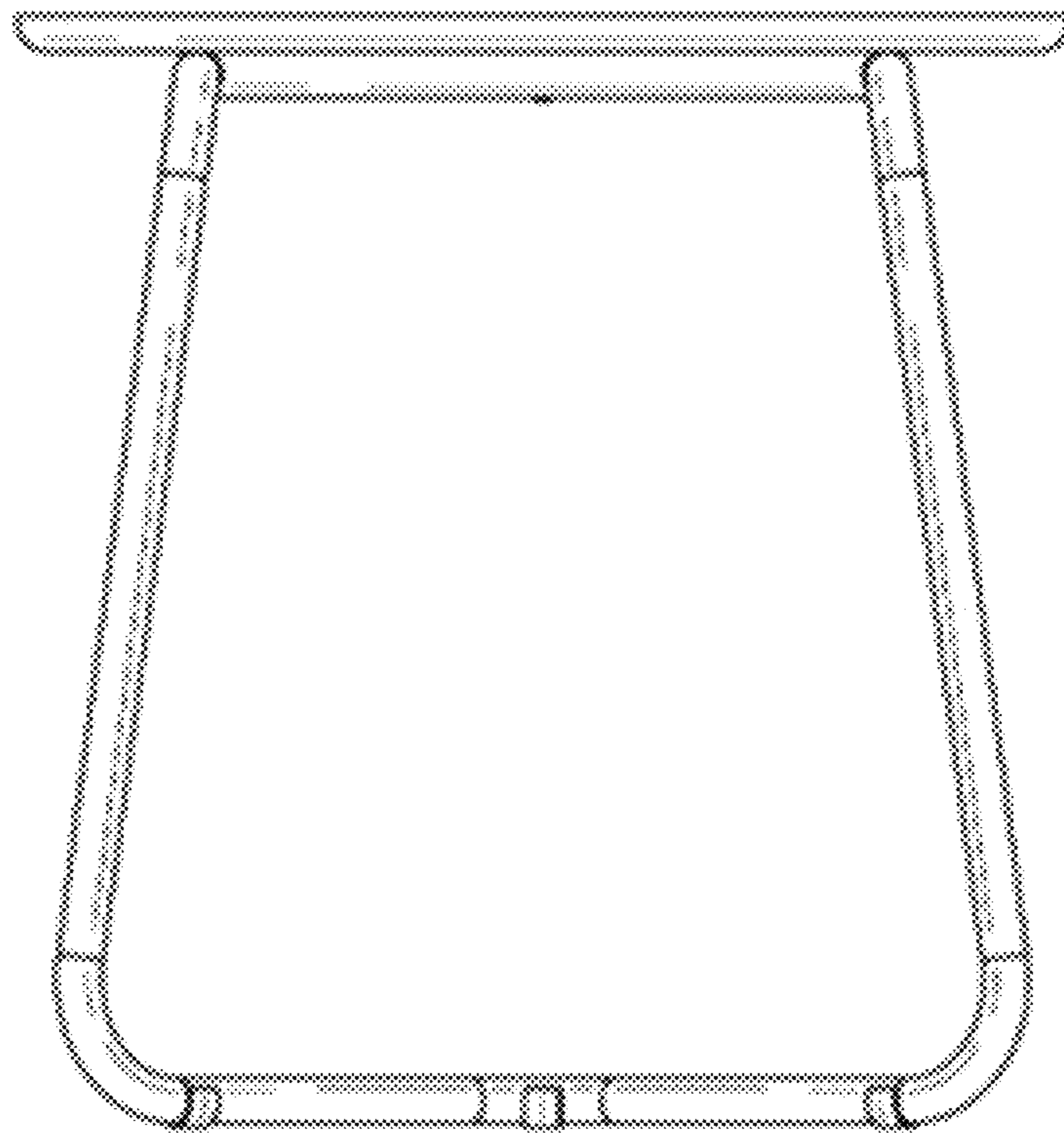
1.3



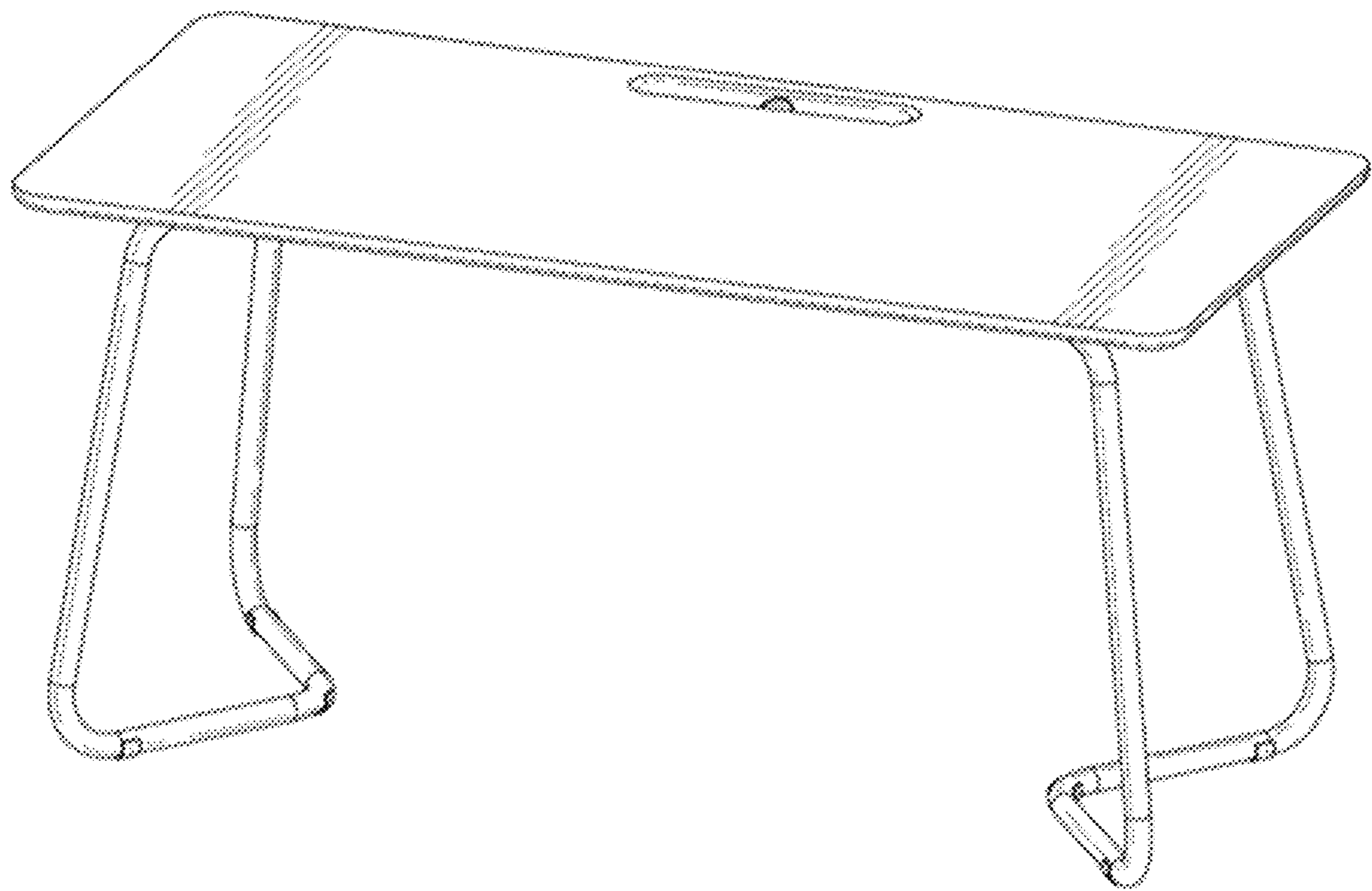
1.4



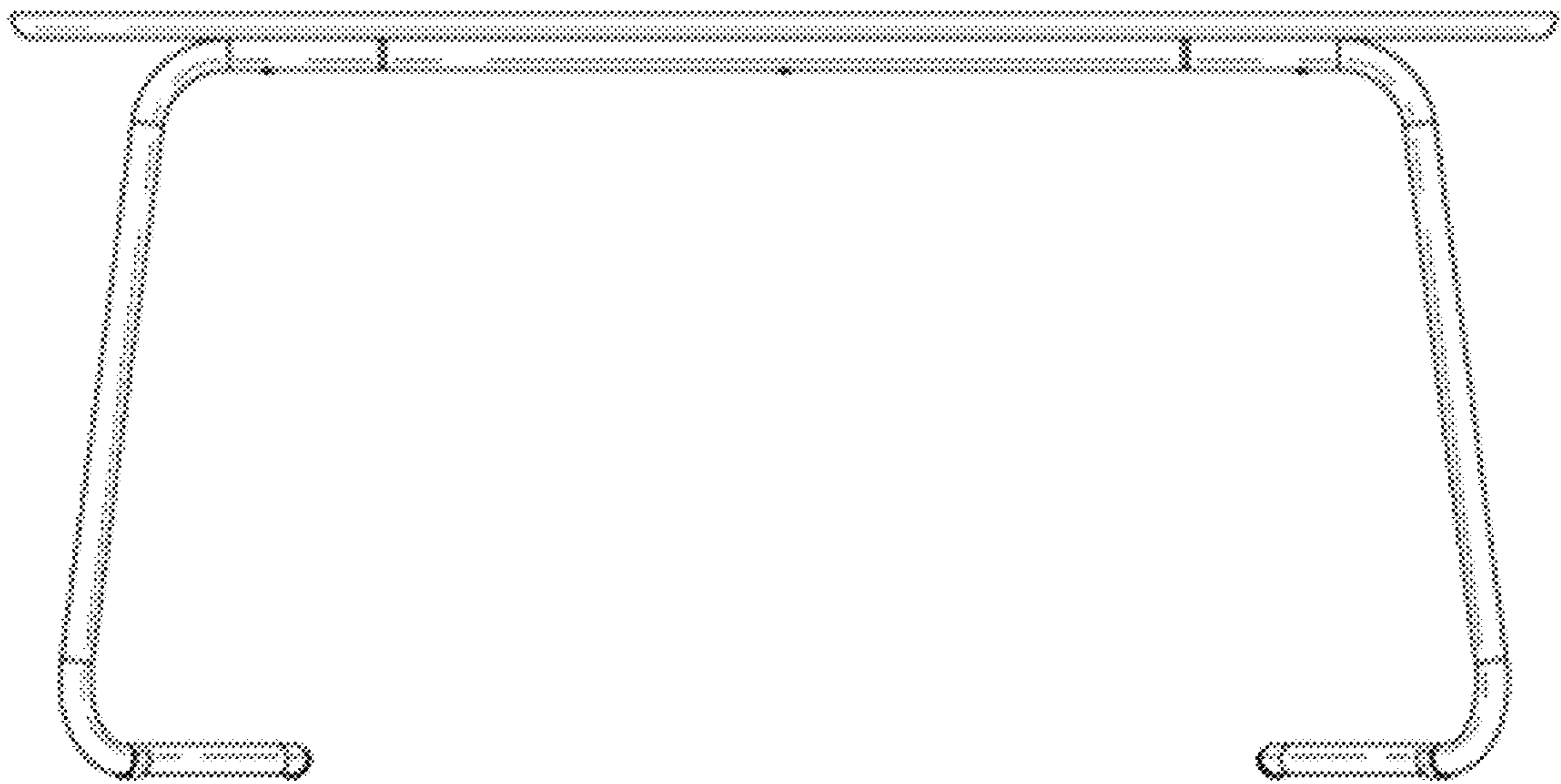
1.5



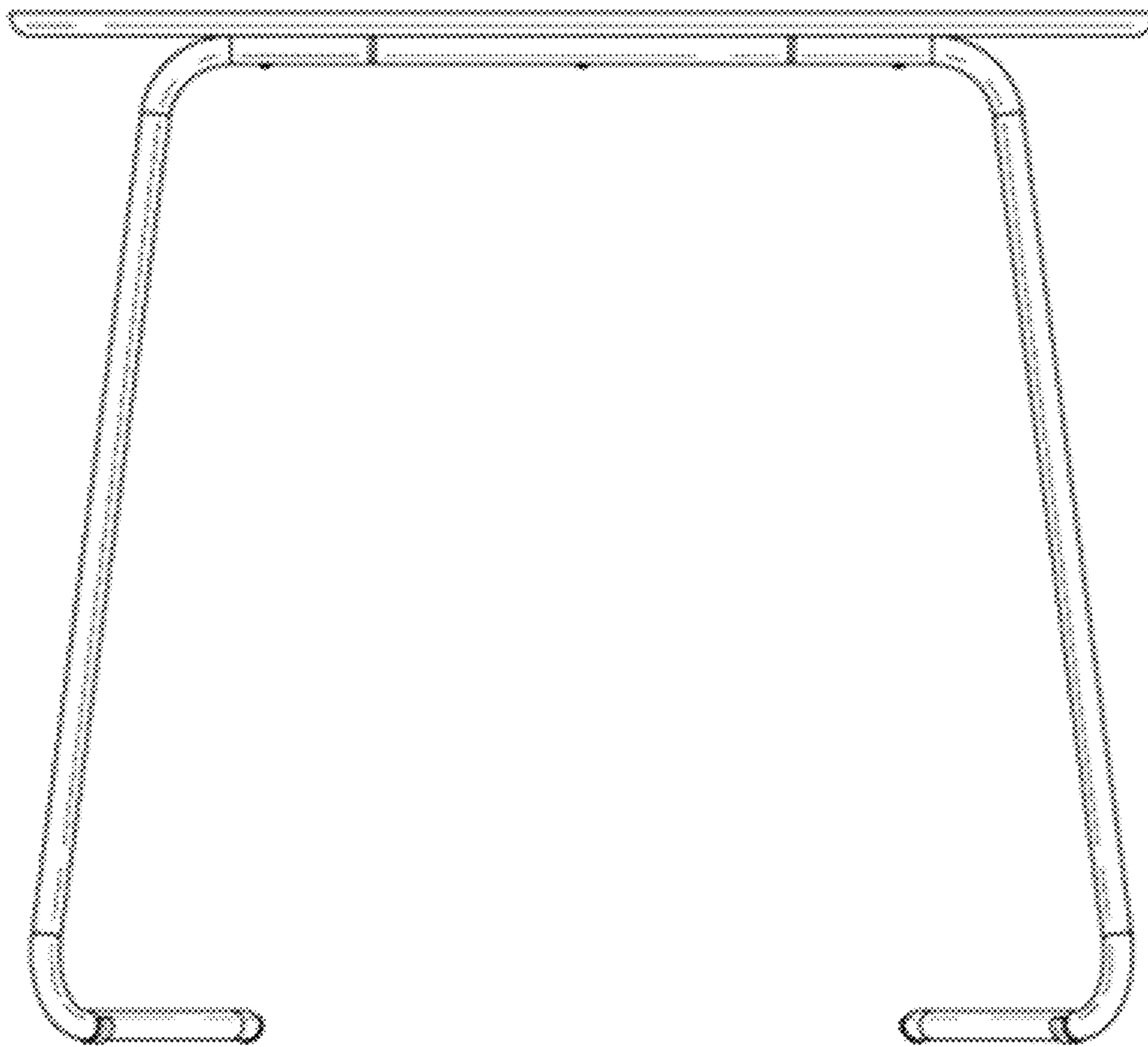
1.6



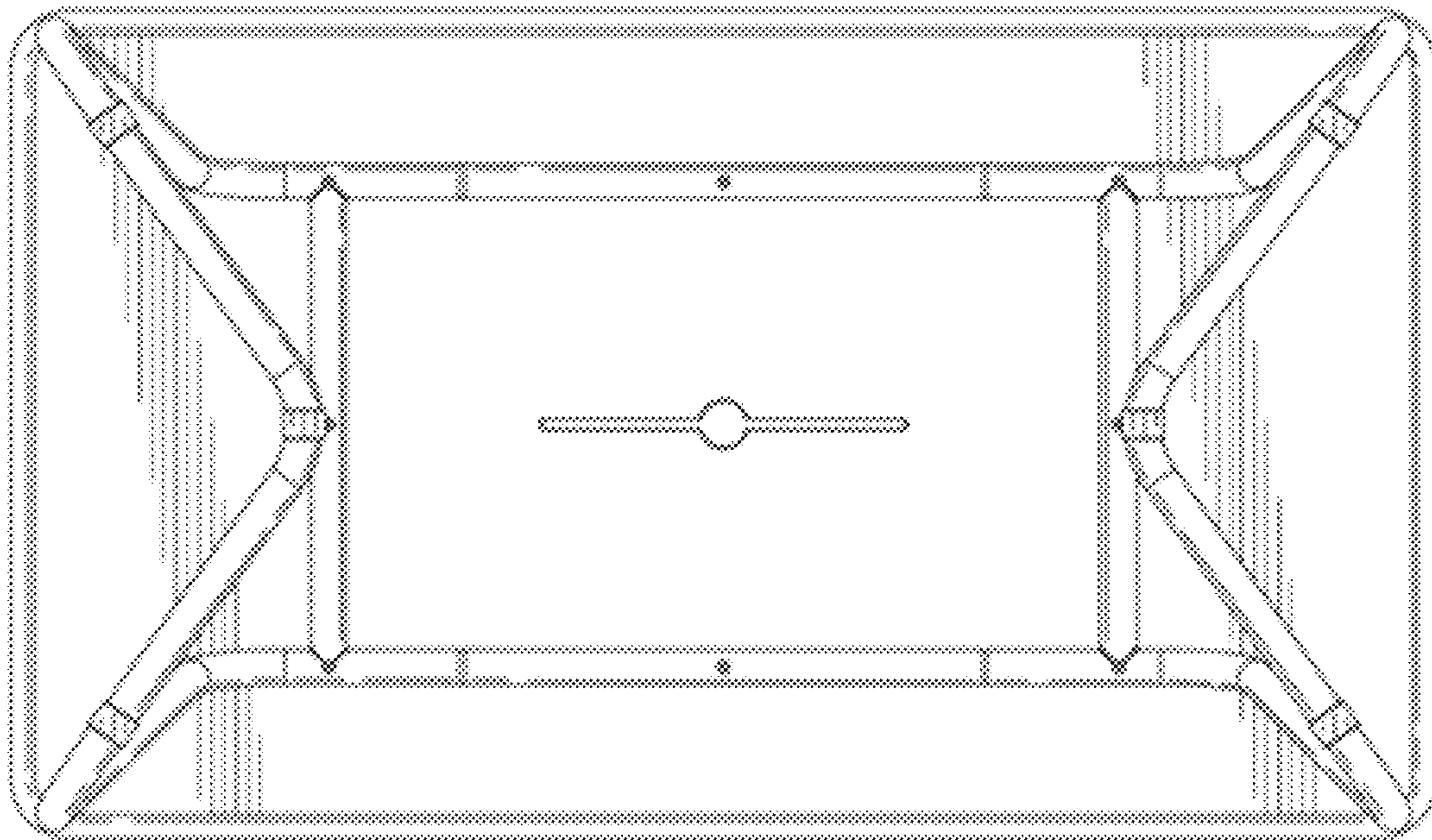
1.7



2.1



2.2



2.3



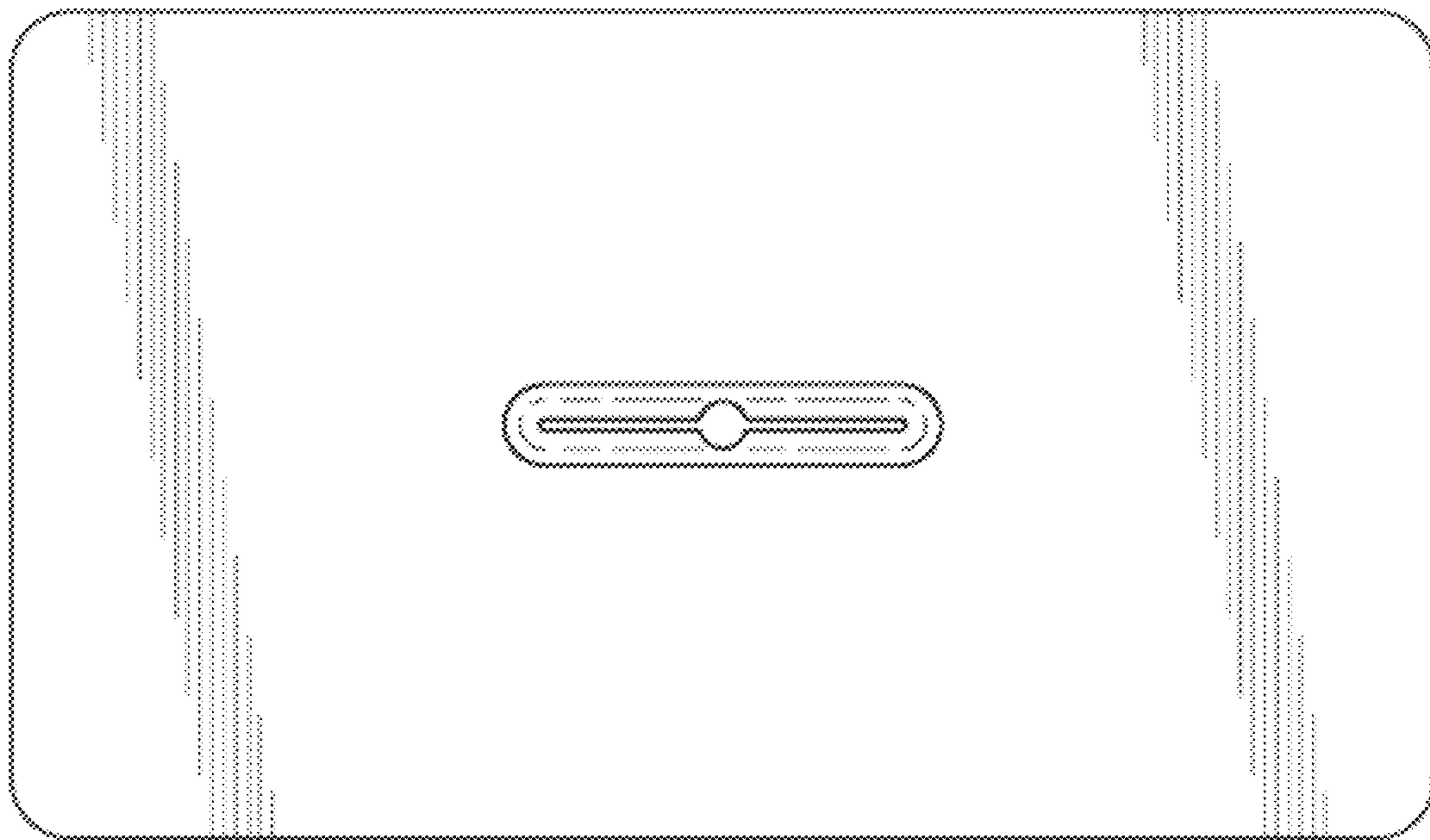
2.4



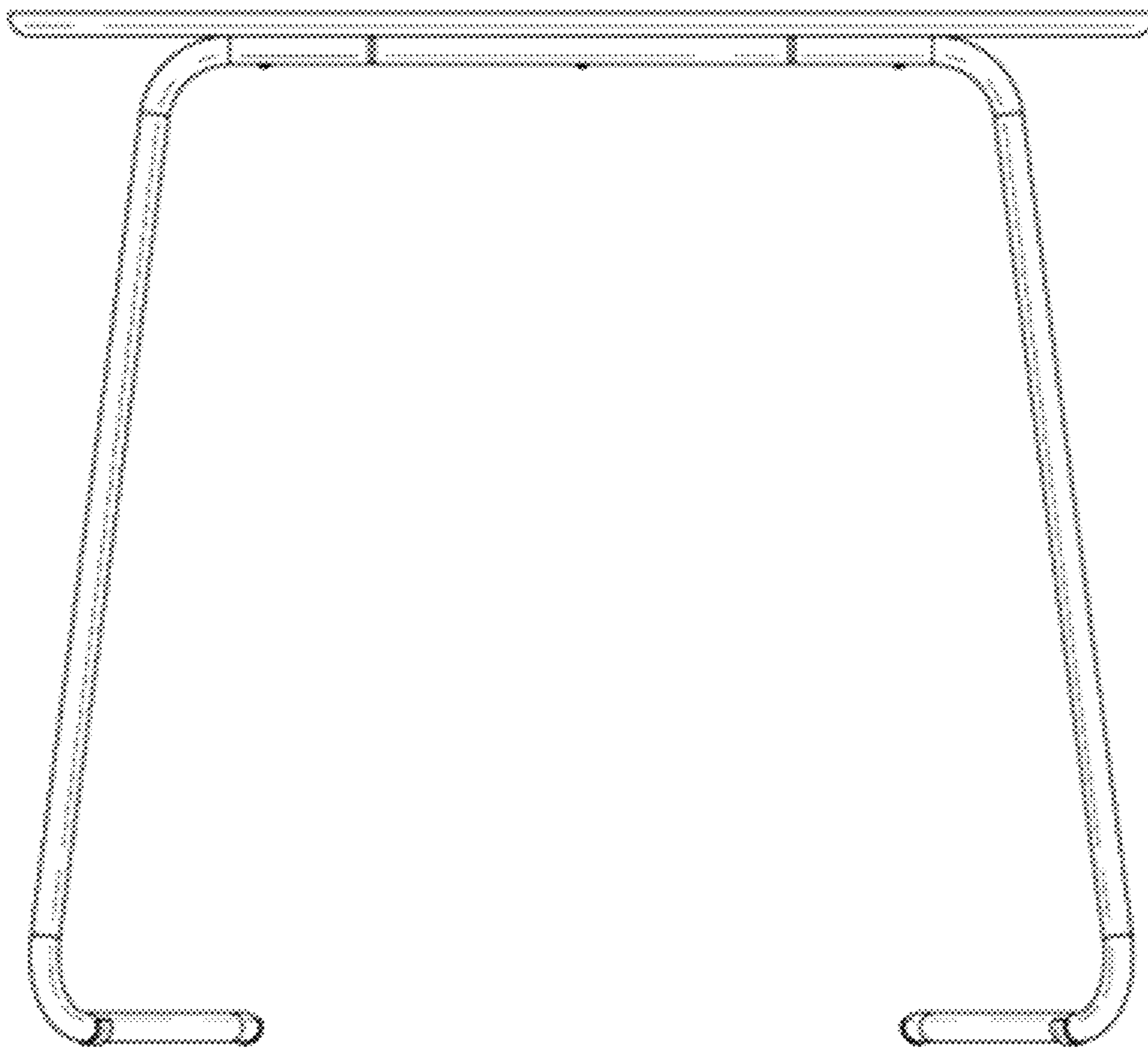
2.5



2.6



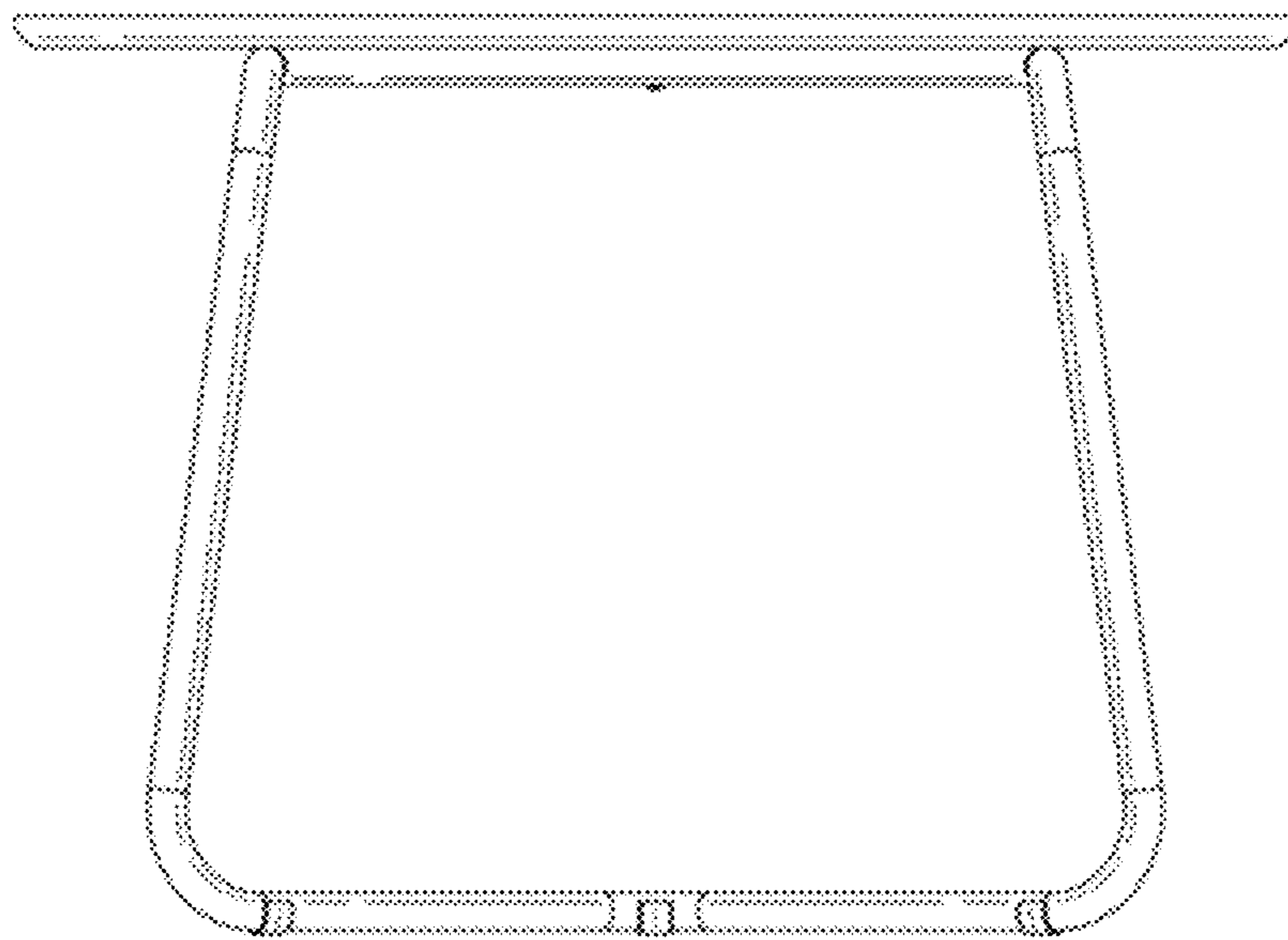
2.7



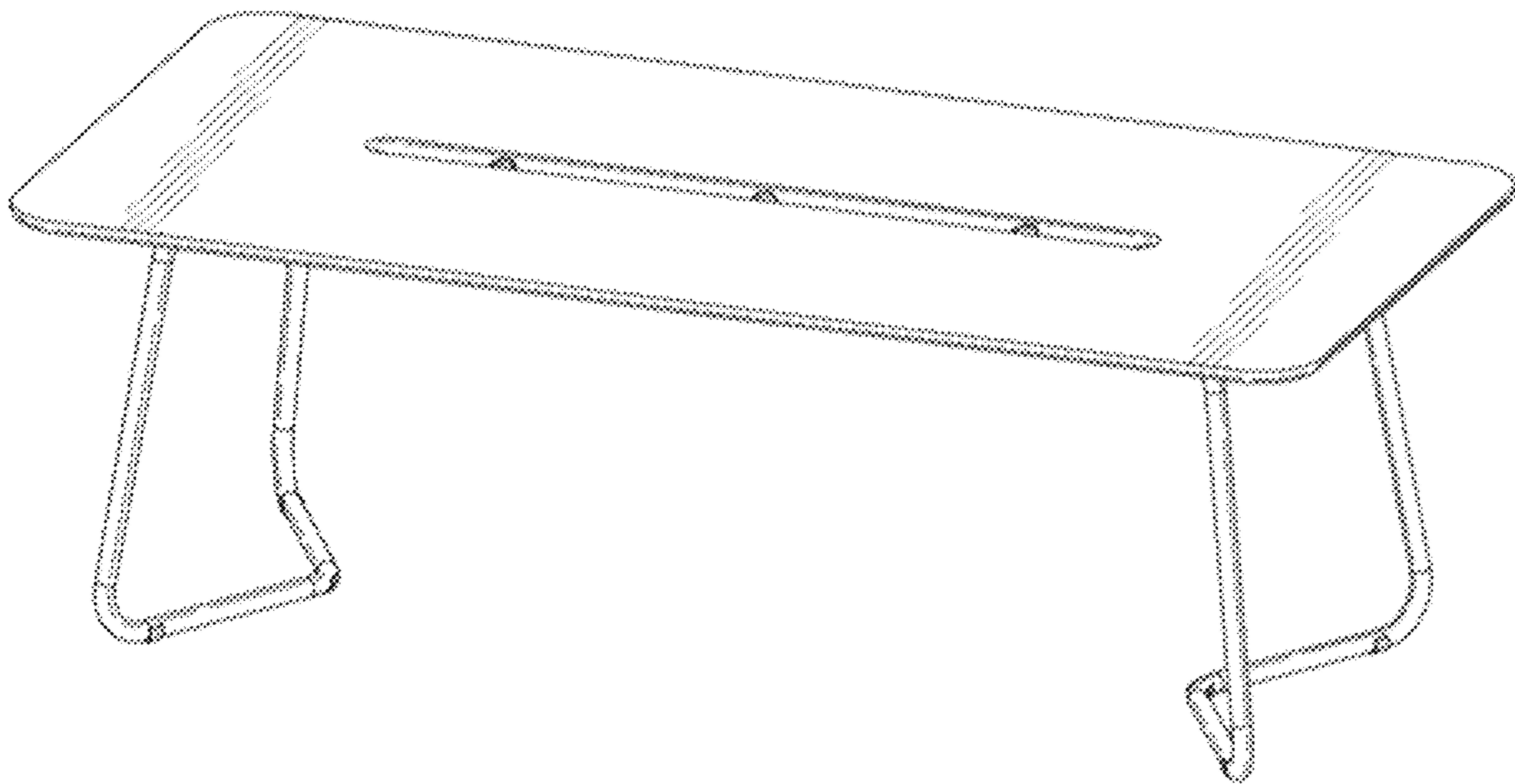
3.1



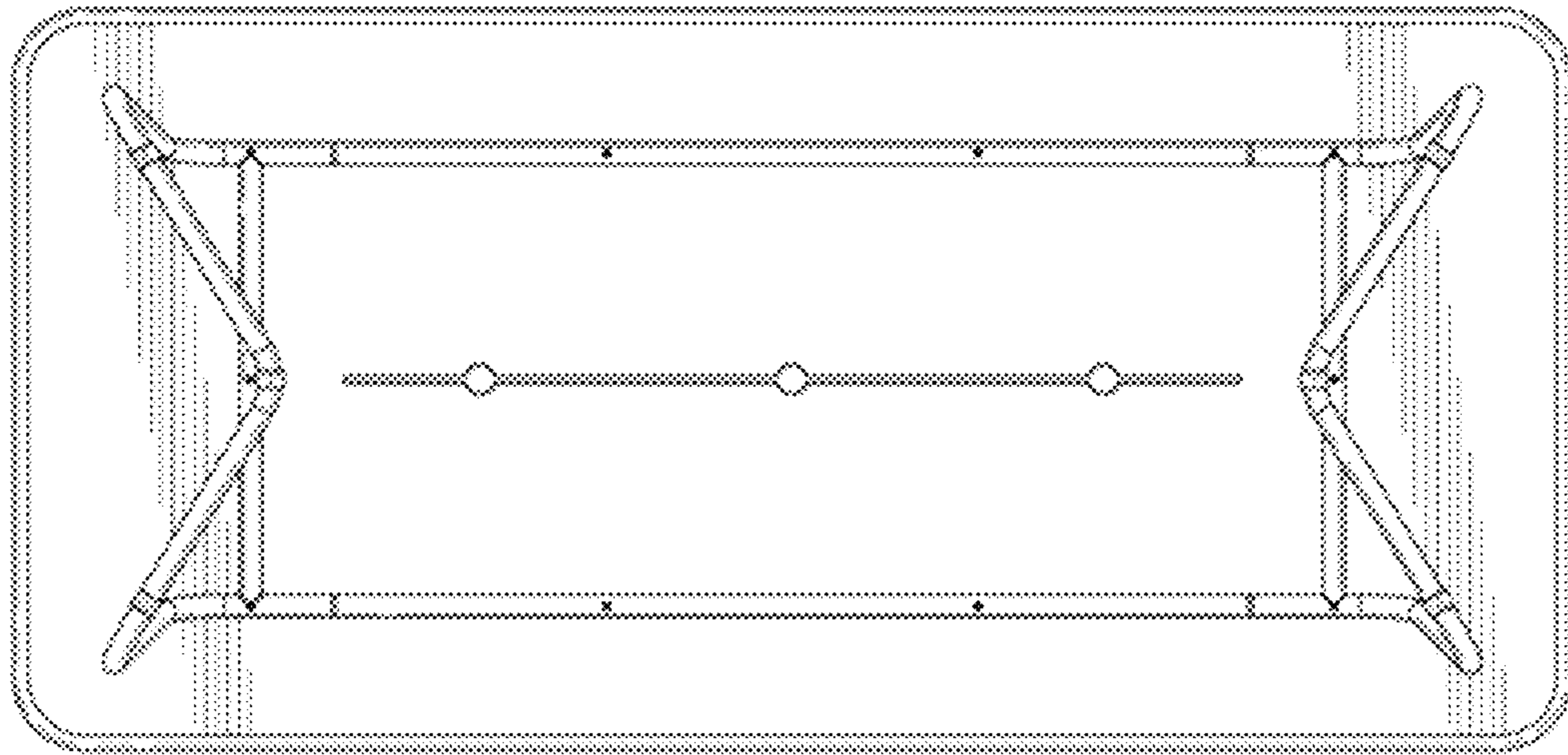
3.2



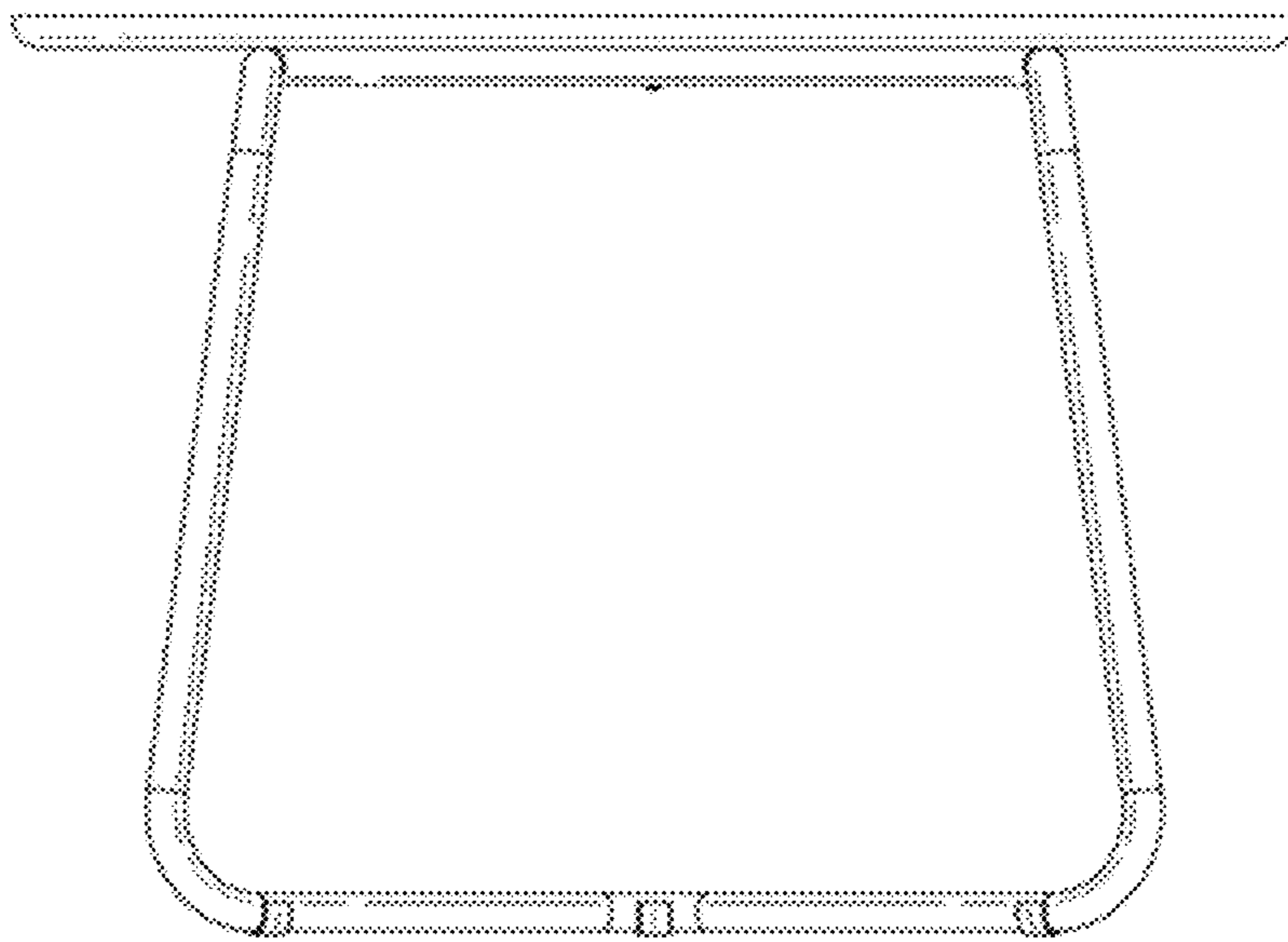
3.3



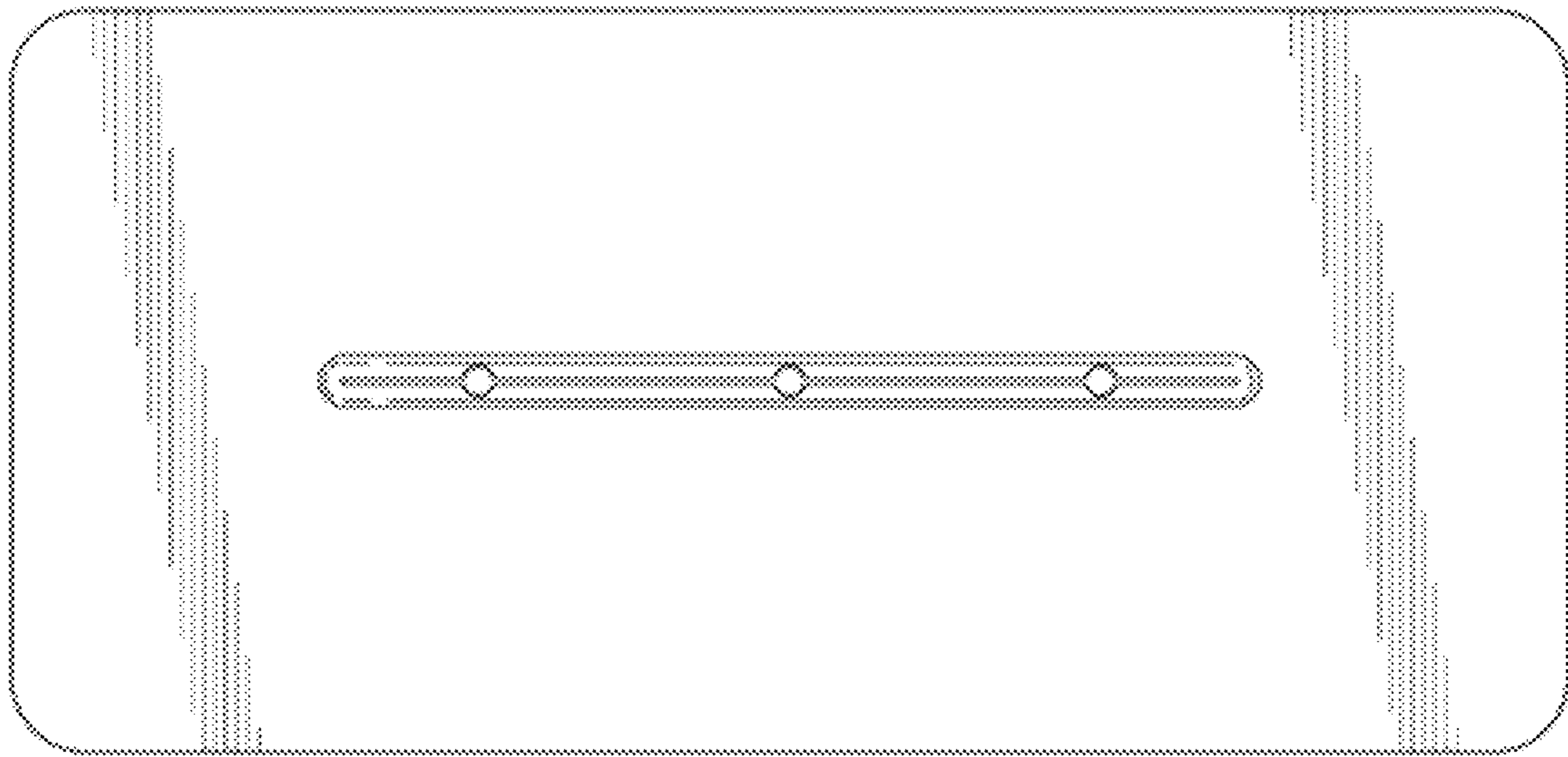
3.4



3.5



3.6



3.7

