



US00D922103S

(12) **United States Design Patent**  
**Wang et al.**

(10) **Patent No.:** **US D922,103 S**  
(45) **Date of Patent:** **\*\* Jun. 15, 2021**

(54) **LIFT TABLE**

(71) Applicant: **Hangzhou Yue Fu Si Supply Chain Management Co., Ltd, Zhejiang (CN)**

(72) Inventors: **Shiming Wang, Zhejiang (CN); Zhiye Lu, Zhejiang (CN)**

(73) Assignee: **Hangzhou Yue Fu Si Supply Chain Management Co., Ltd, Zhejiang (CN)**

(\*\*) Term: **15 Years**

(21) Appl. No.: **29/760,225**

(22) Filed: **Nov. 30, 2020**

(30) **Foreign Application Priority Data**

Nov. 10, 2020 (CN) ..... 202030678945.5

(51) **LOC (13) Cl.** ..... **06-03**

(52) **U.S. Cl.**  
USPC ..... **D6/654.1**

(58) **Field of Classification Search**  
USPC ..... D6/648, 648.1–648.4, 651, 651.2, 652.2, D6/653, 654, 654.1–654.17  
CPC ... A47B 9/20; A47B 21/02; A47B 2200/0056; A47B 2200/0062; A47B 2200/0054; A47B 2021/066; A47B 2200/0029; A47B 2200/0051; A47B 2200/0052; A47B 2200/0059; A47B 2200/006; A47B 2200/0061; A47B 9/00; A47B 13/10; A47B 21/00; A47B 21/0314  
See application file for complete search history.

(56) **References Cited**

**U.S. PATENT DOCUMENTS**

D427,804 S \* 7/2000 Olson ..... D6/653  
D546,503 S \* 7/2007 Kreiss ..... D6/653  
D632,900 S \* 2/2011 Goldberg ..... A47B 17/033  
D6/654

D723,306 S \* 3/2015 Kielwasser ..... D6/653  
D812,947 S \* 3/2018 Tseng  
D829,023 S \* 9/2018 Gu  
D888,466 S \* 6/2020 Li ..... D6/654.1  
D891,823 S \* 8/2020 Li ..... D6/648.3  
D895,324 S \* 9/2020 Li ..... D6/654  
D909,095 S \* 2/2021 Li ..... D6/654.1

(Continued)

**OTHER PUBLICATIONS**

“FEZIBO Height Adjustable Electric Standing Desk.” Found online Mar. 12, 2021 at www.amazon.com. Product first available Aug. 25, 2020. Retrieved from URL: https://tinyurl.com/2f6acnpp (Year: 2020).\*

(Continued)

*Primary Examiner* — Mary Ann Calabrese

*Assistant Examiner* — Katelin G Kloberg

(74) *Attorney, Agent, or Firm* — ScienBiziP, P.C.

(57) **CLAIM**

The ornamental design for a lift table, as shown and described.

**DESCRIPTION**

FIG. 1 is a top, front, and left perspective view of a lift table, showing our design.

FIG. 2 is a rear, front, and left perspective view thereof.

FIG. 3 is a front elevation view thereof.

FIG. 4 is a rear elevation view thereof.

FIG. 5 is a left side elevation thereof.

FIG. 6 is a right side elevation thereof.

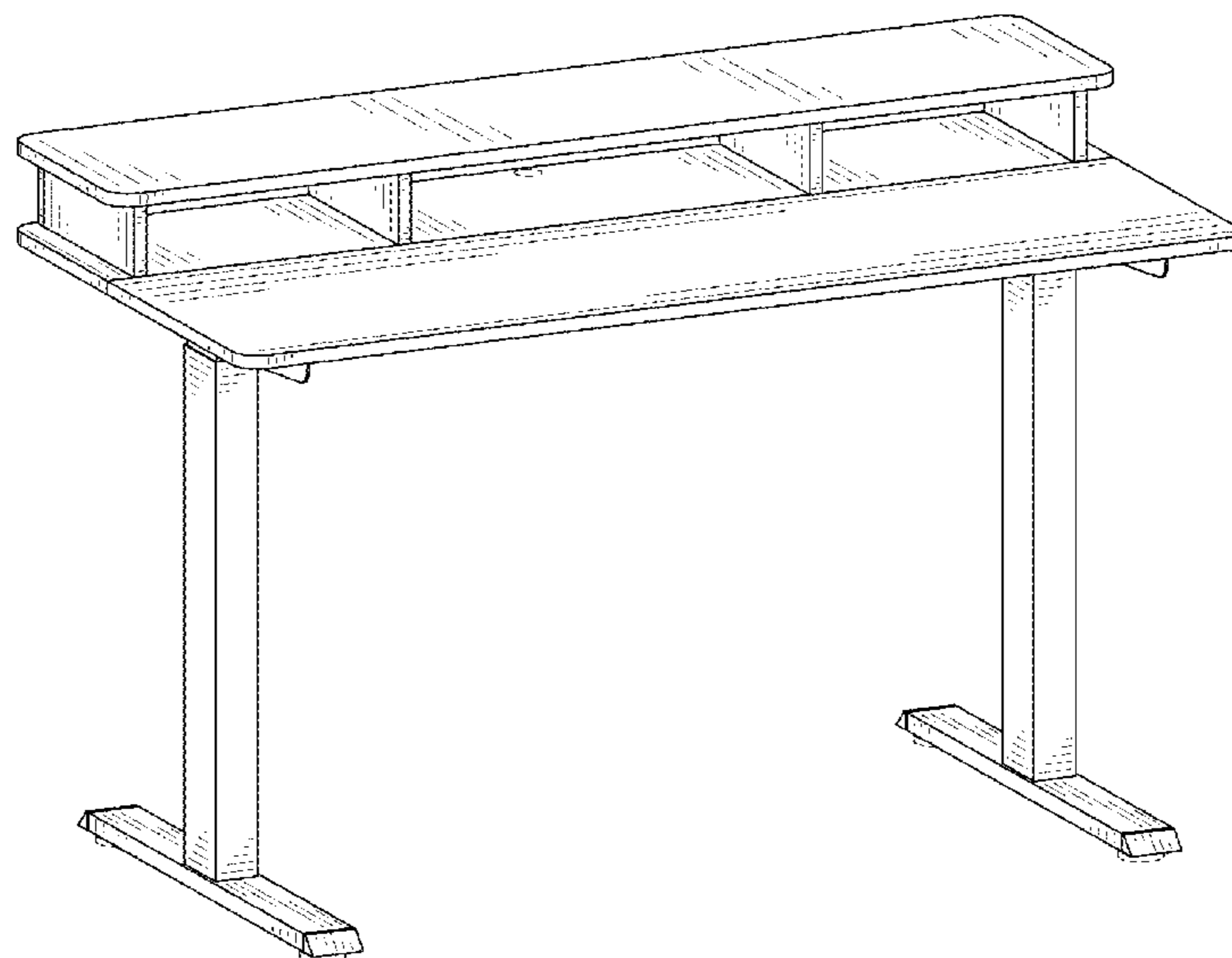
FIG. 7 is a top plan view thereof.

FIG. 8 is a bottom plan view thereof; and,

FIG. 9 is an enlarged partial view of detail 9 taken from FIG. 2.

The broken lines shown in the drawings are included for the purpose of illustrating portions of the lift table that form no part of the claimed design.

**1 Claim, 9 Drawing Sheets**



(56)

**References Cited**

U.S. PATENT DOCUMENTS

D909,096 S \* 2/2021 Li ..... D6/654.1  
D909,099 S \* 2/2021 Li ..... D6/654.1

OTHER PUBLICATIONS

“FAMISKY Dual Motor Adjustable Height Electric Standing Desk.” Found online Mar. 12, 2021 at [www.amazon.com](http://www.amazon.com). Product first available Sep. 8, 2020. Retrieved from URL: <https://tinyurl.com/fryyvac2> (Year: 2020).\*

“Stand Steady Tranzendesk.” Found online Mar. 12, 2021 at [www.amazon.com](http://www.amazon.com). Product first available Nov. 28, 2018. Retrieved from URL: <https://tinyurl.com/2jux9ehw> (Year: 2018).\*

“Dual-tier standing desk encourages healthy habits.” Found online Mar. 12, 2021 at [www.newatlas.com](http://www.newatlas.com). Page dated Aug. 3, 2016. Retrieved from URL: <https://newatlas.com/gaze-lab-standing-desk/44315/> (Year: 2016).\*

“Stand Steady Joy Desk.” Found online Mar. 12, 2021 at [www.amazon.com](http://www.amazon.com). Product first available Nov. 16, 2017. Retrieved from URL: <https://www.amazon.com/Joy-Desk-Stand-Steady-Workstation/dp/B077J8FHKR?th=1> (Year: 2017).\*

\* cited by examiner

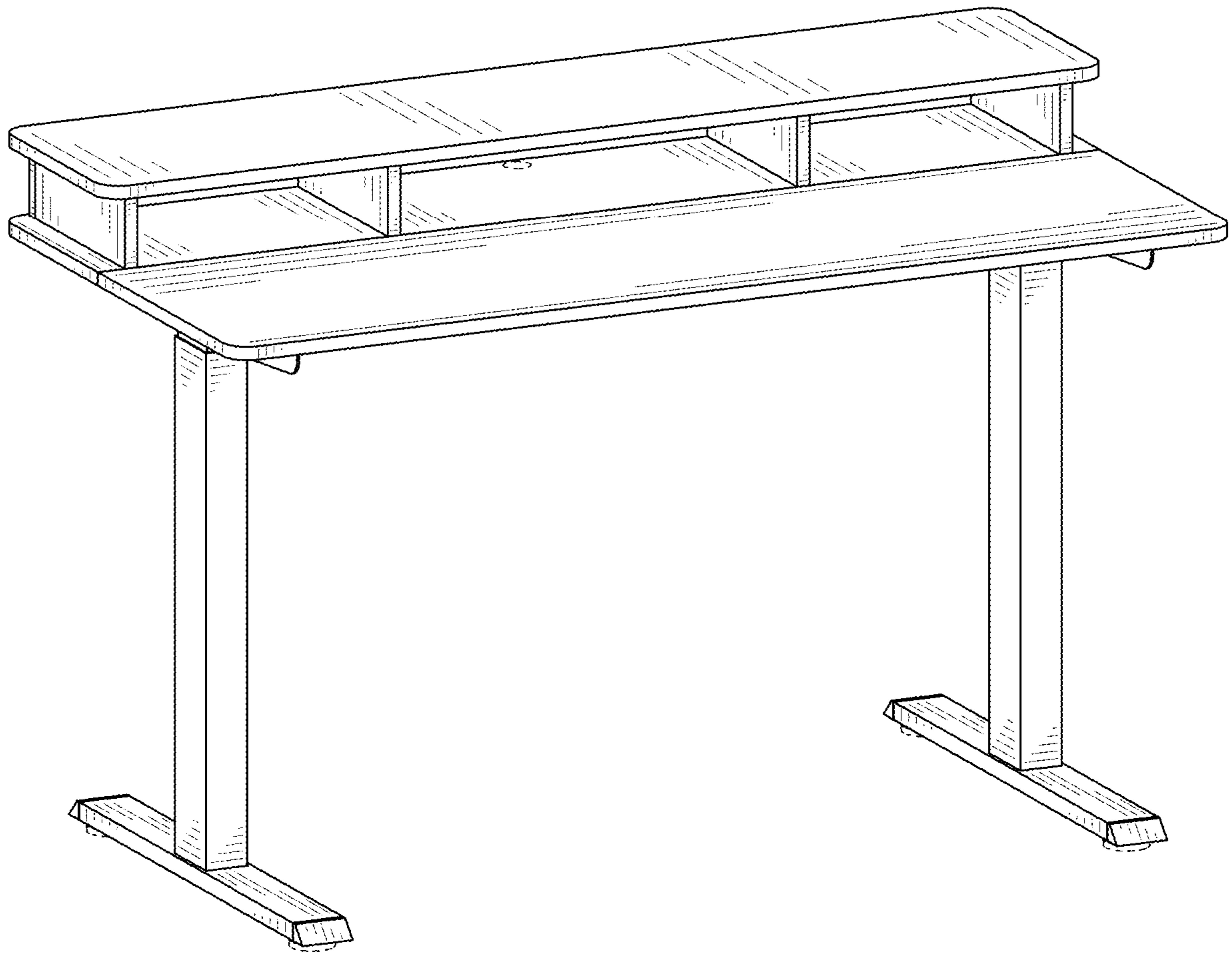


FIG. 1

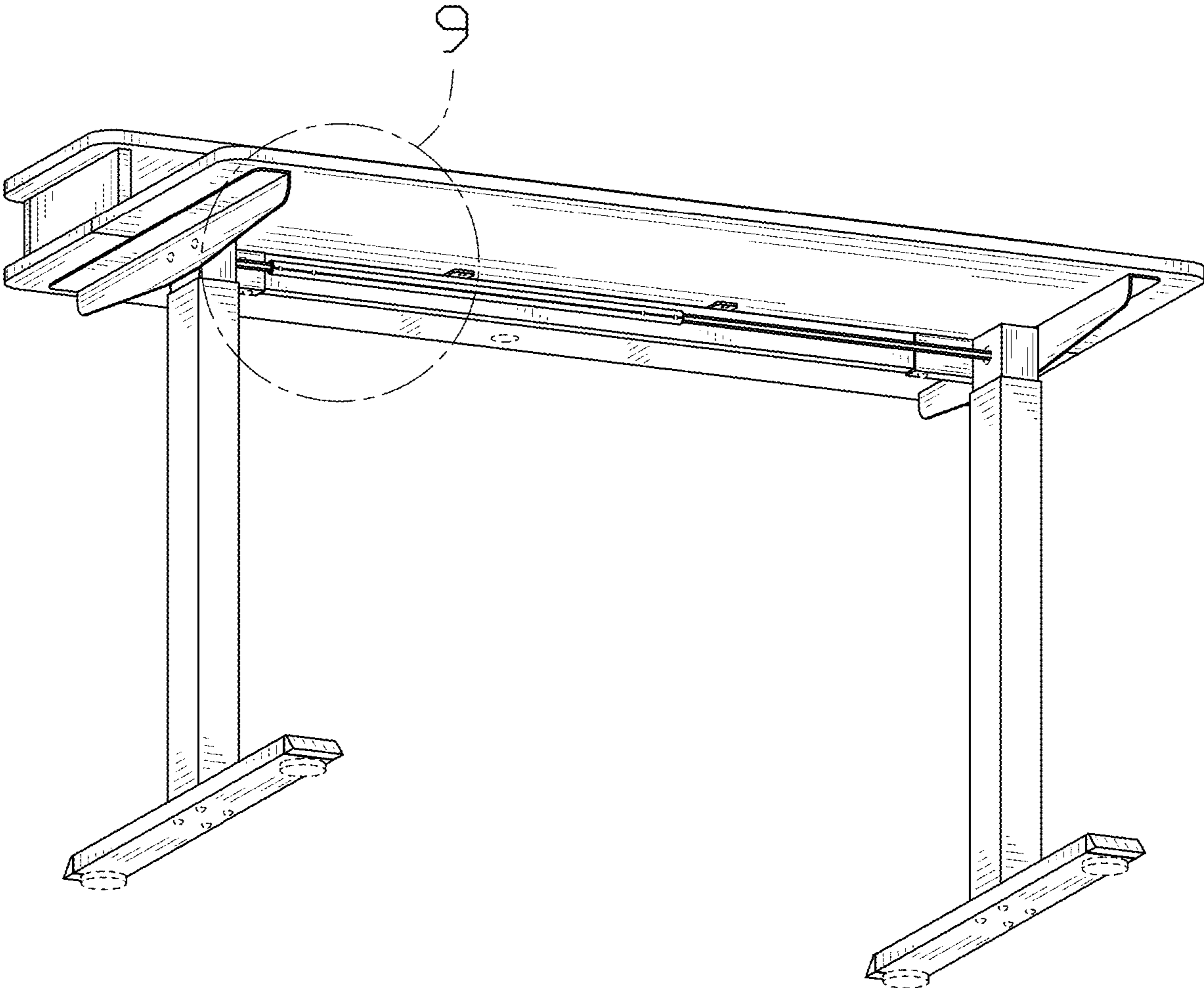


FIG. 2

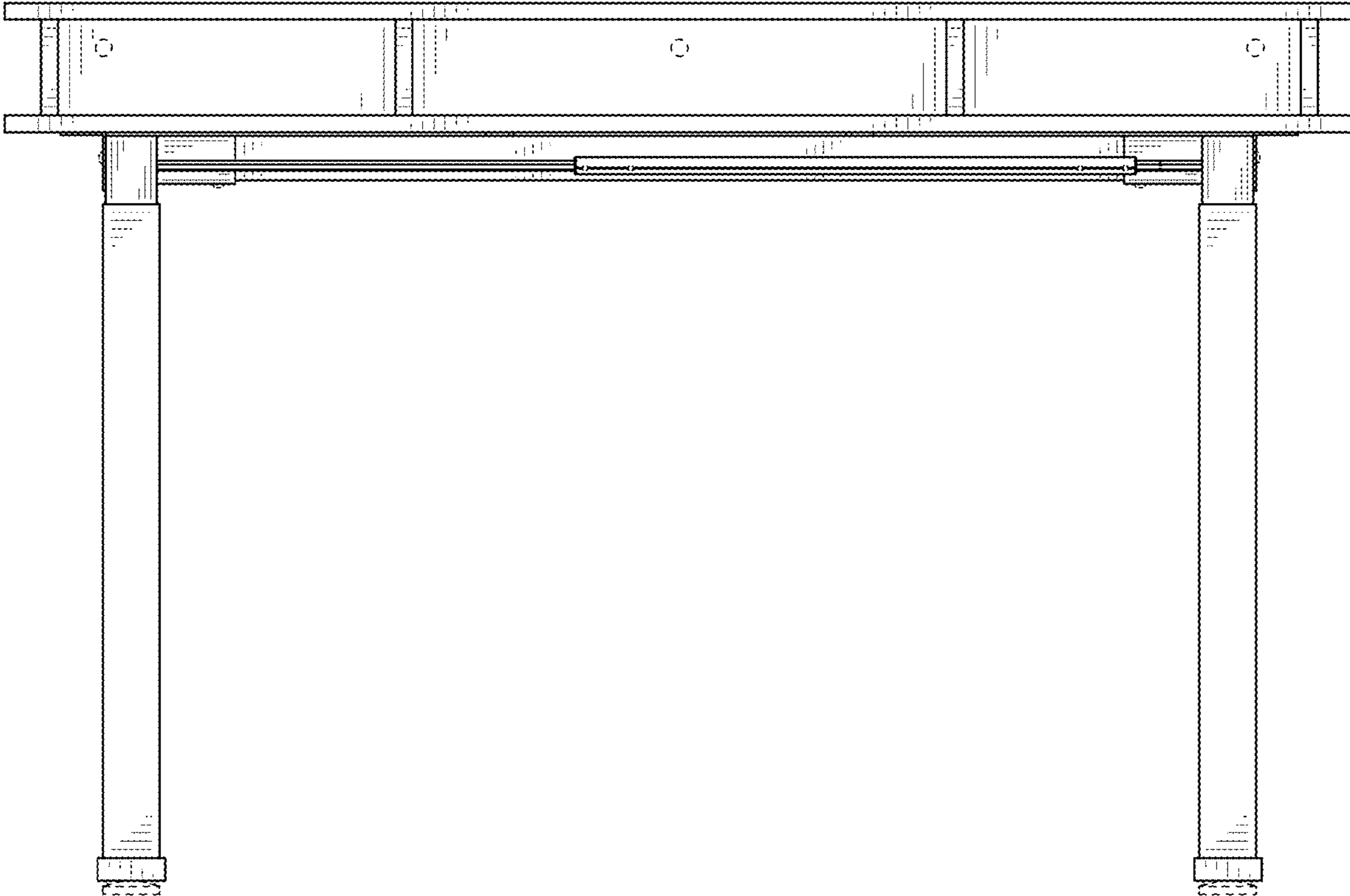


FIG. 3

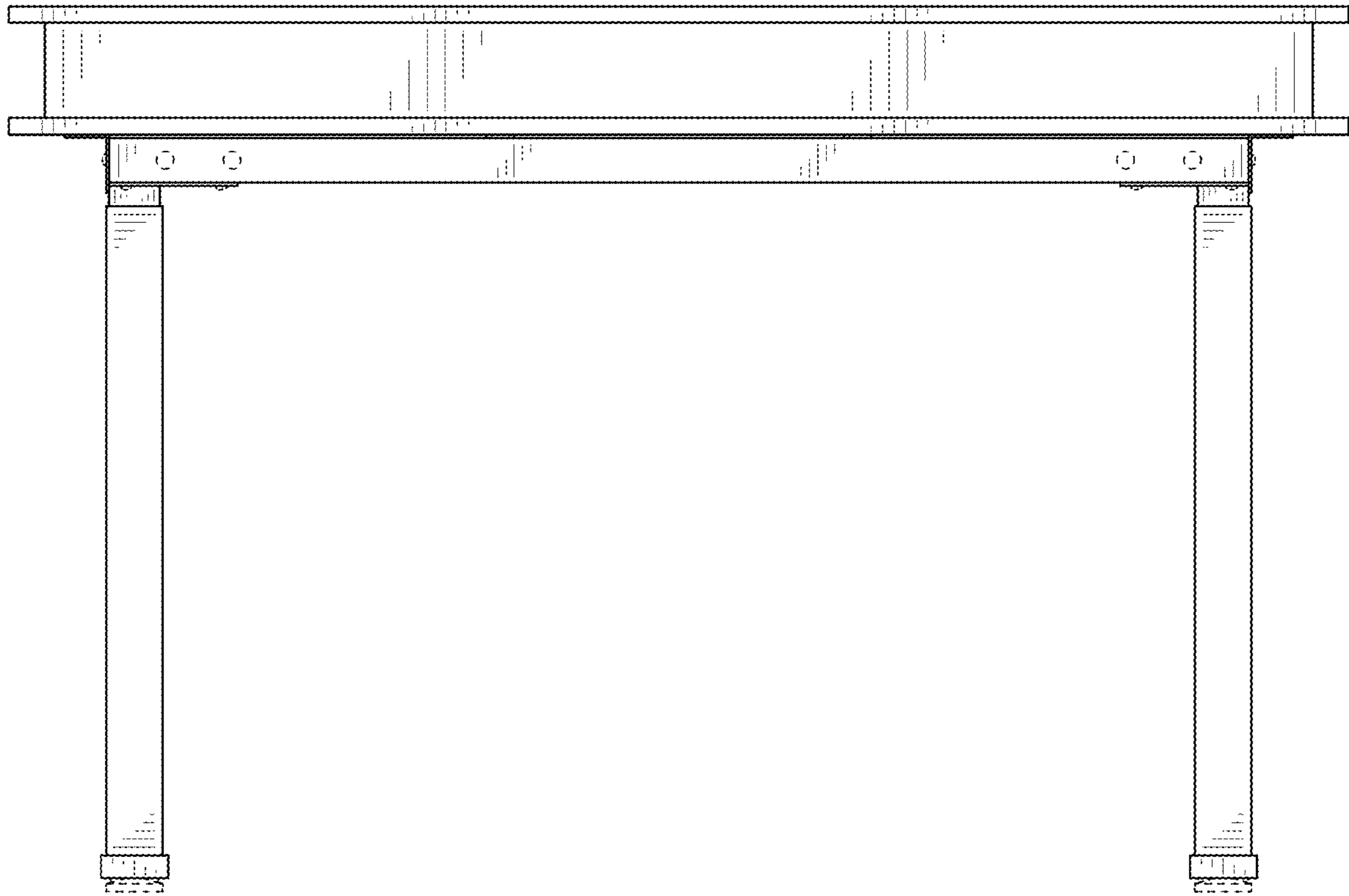


FIG. 4

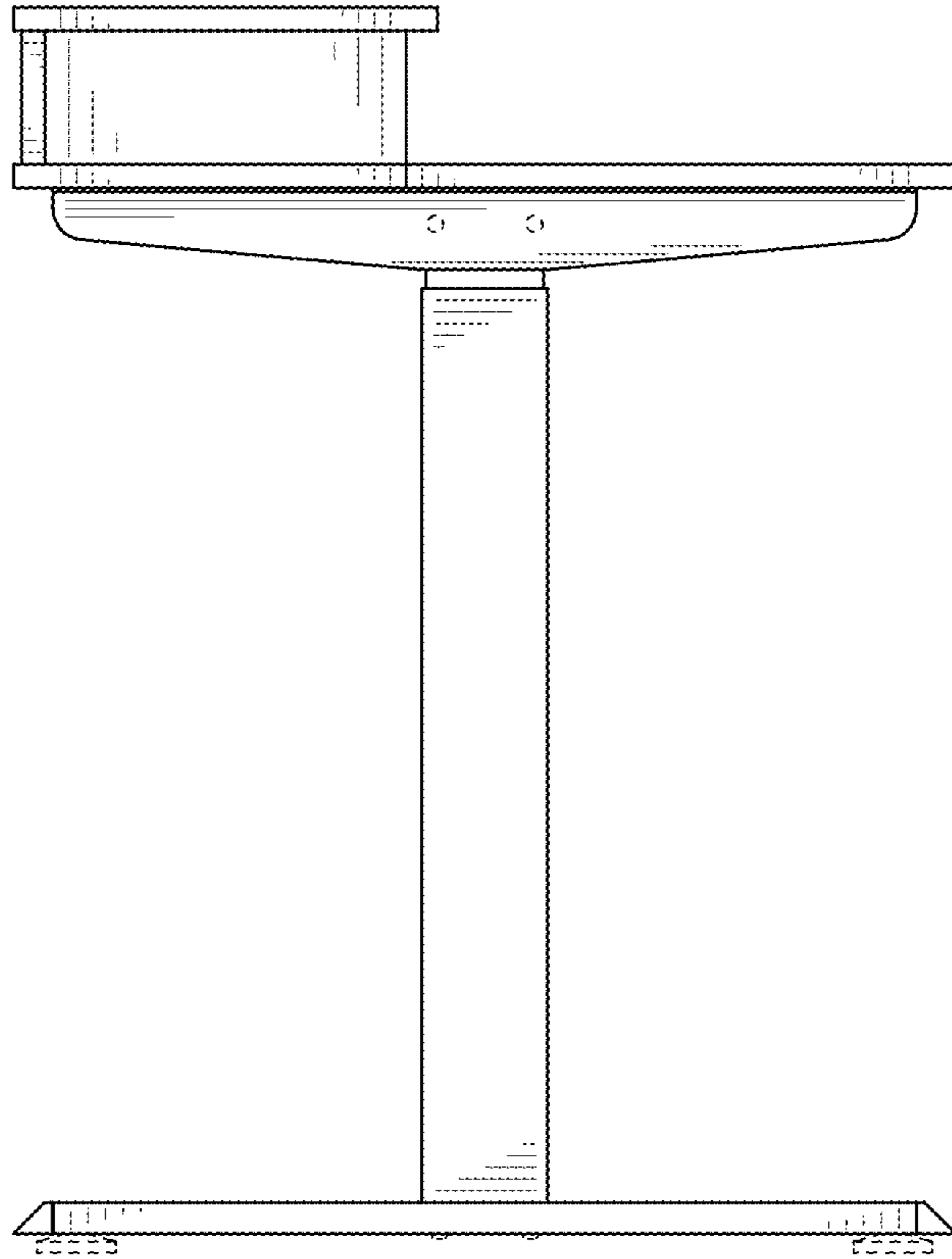


FIG. 5

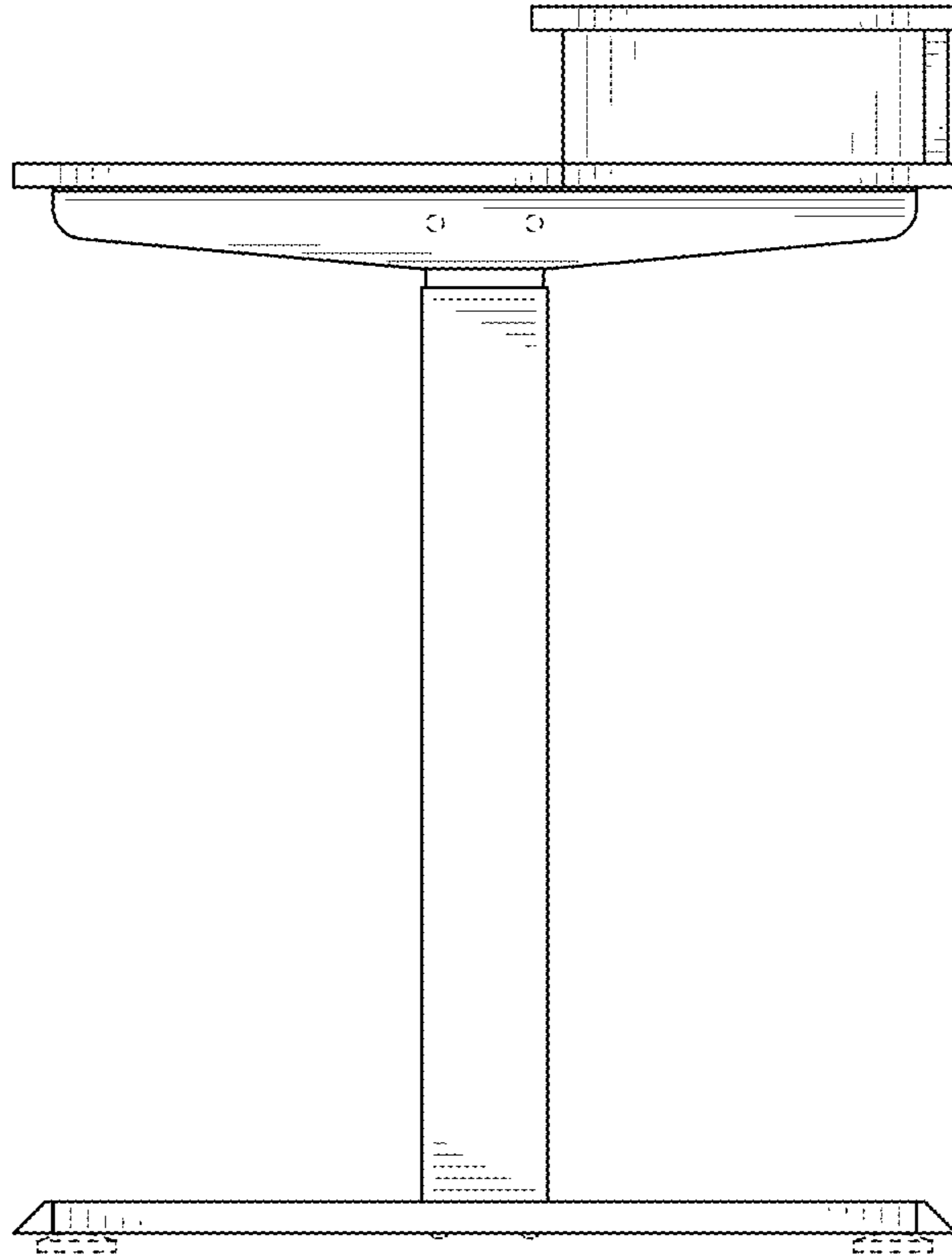


FIG. 6



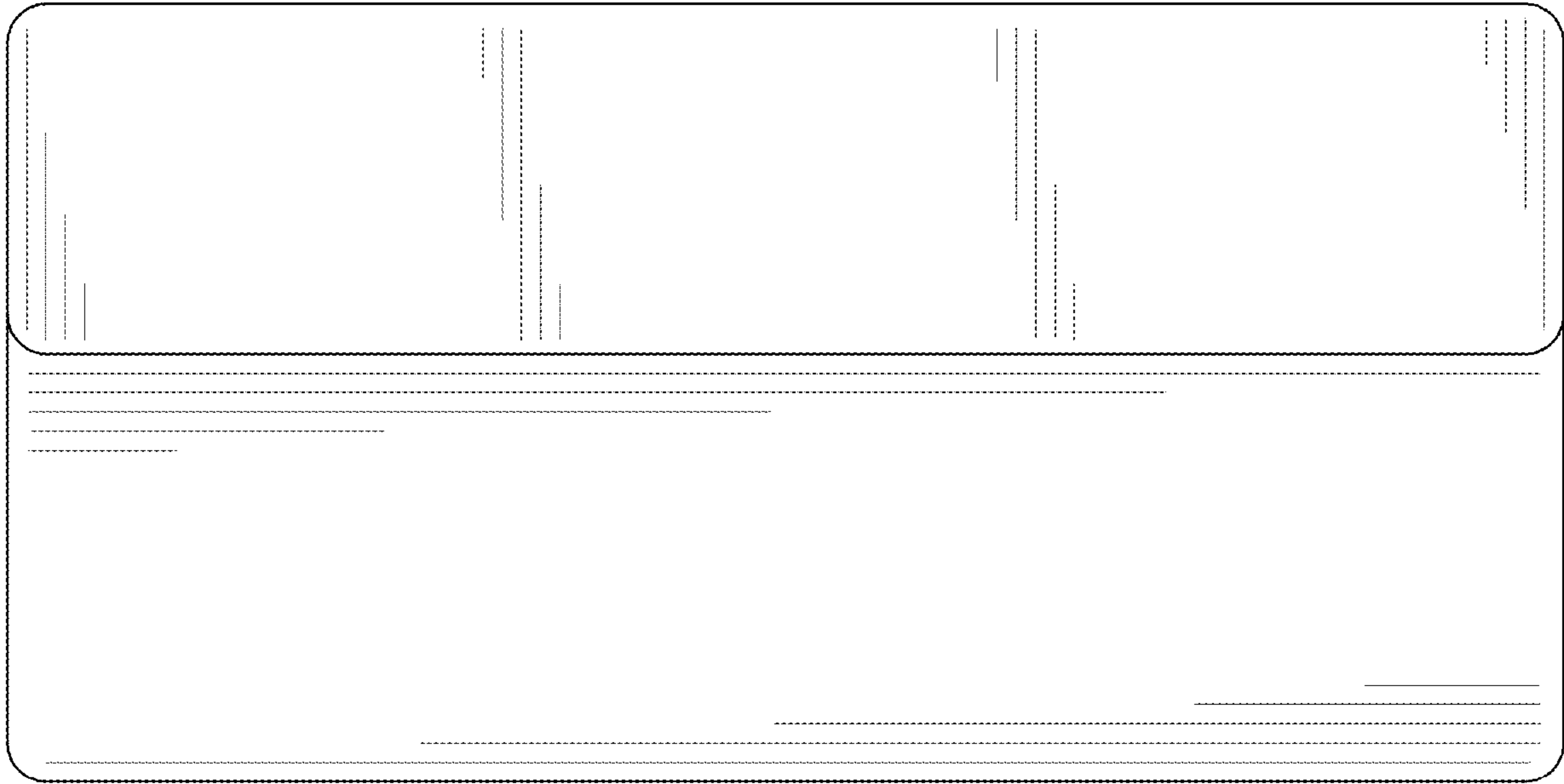


FIG. 7

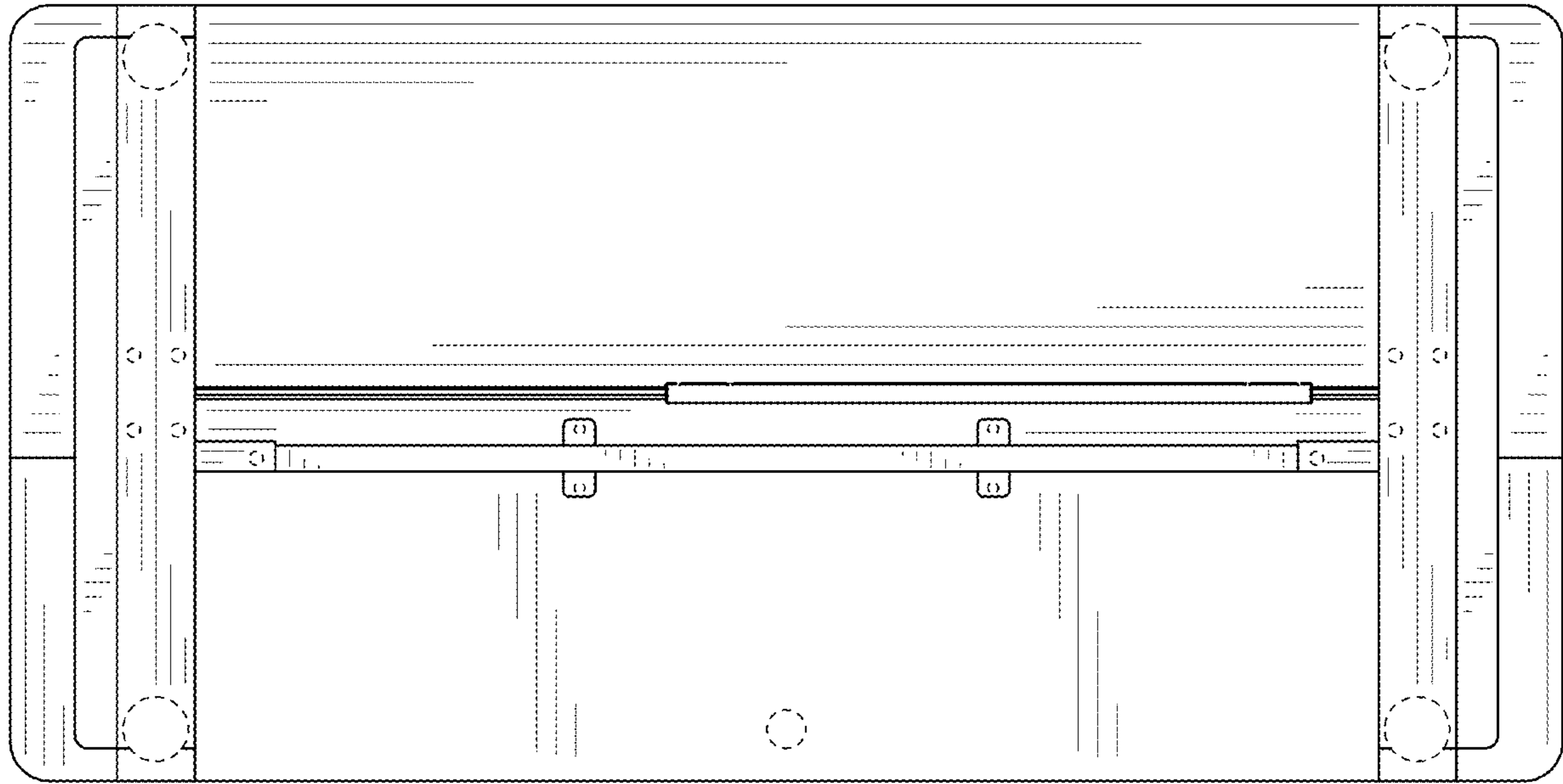


FIG. 8

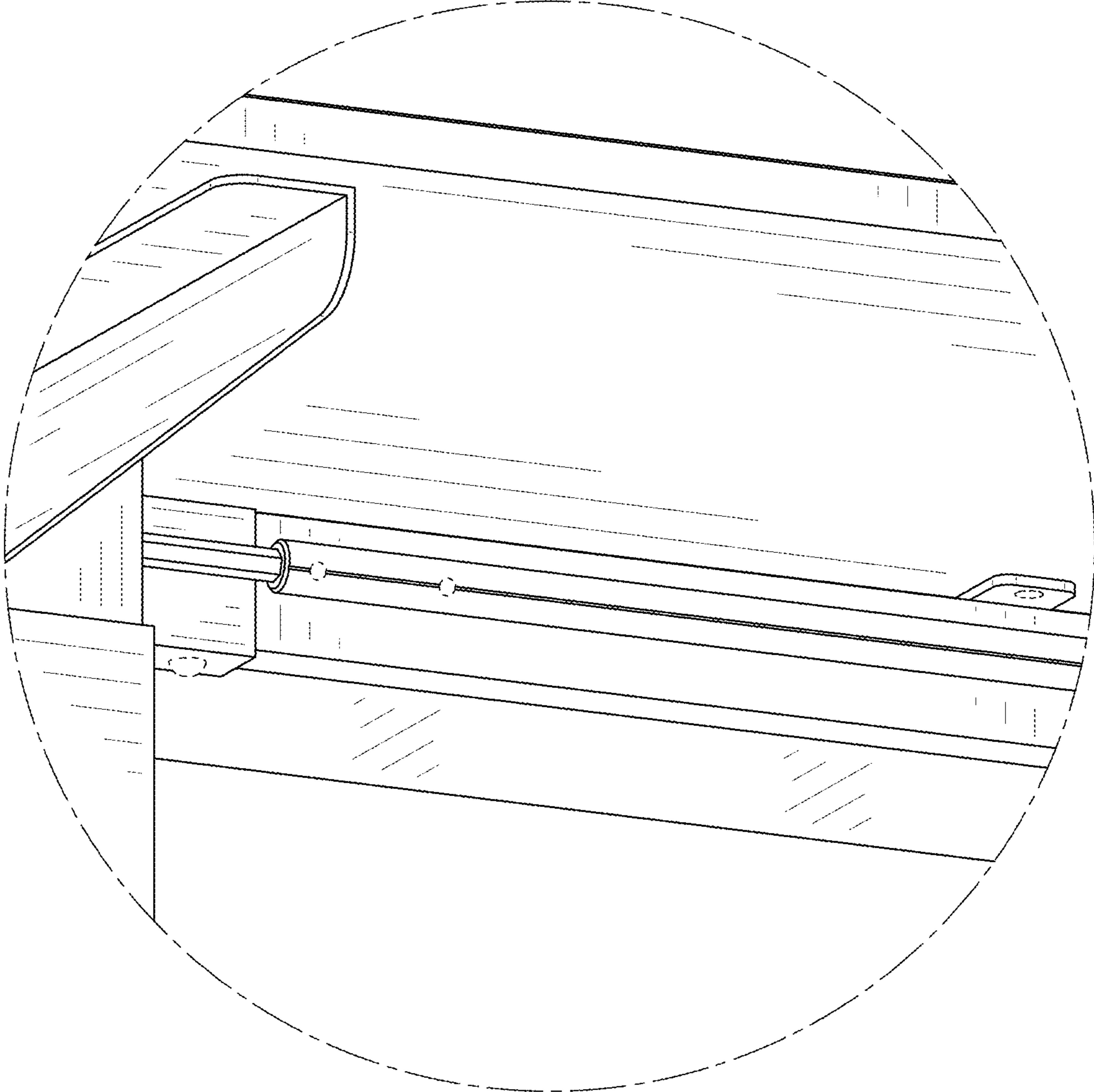


FIG. 9