



US00D922102S

(12) **United States Design Patent**
Udagawa et al.

(10) **Patent No.:** **US D922,102 S**
(45) **Date of Patent:** **** Jun. 15, 2021**

(54) **WORKSTATION**

A47B 2009/185; A47B 2200/0013; A47B
2200/0026; A47B 2200/0085; A47B
2200/0087

(71) Applicant: **Knoll, Inc.**, East Greenville, PA (US)

See application file for complete search history.

(72) Inventors: **Masamichi Udagawa**, New York, NY
(US); **Sigrid Moeslinger**, New York,
NY (US)

(56) **References Cited**

(73) Assignee: **Knoll, Inc.**, East Greenville, PA (US)

U.S. PATENT DOCUMENTS

(**) Term: **15 Years**

(21) Appl. No.: **29/756,423**

(22) Filed: **Oct. 28, 2020**

D200,649 S	3/1965	Johnson	
D208,413 S *	8/1967	Ball	D6/643.1
D210,134 S	2/1968	Chrstensen et al.	
D216,991 S	3/1970	Gianfagna et al.	
3,931,771 A	1/1976	Kramer	
D262,763 S *	1/1982	Lerner	D6/643
D305,585 S *	1/1990	Wright	D6/654.21
D330,641 S	11/1992	Zapf	

(Continued)

Related U.S. Application Data

(60) Division of application No. 29/728,467, filed on Mar. 18, 2020, now Pat. No. Des. 904,078, which is a continuation-in-part of application No. 29/721,925, filed on Jan. 24, 2020, now Pat. No. Des. 907,406, which is a continuation-in-part of application No. 29/650,223, filed on Jun. 5, 2018, now Pat. No. Des. 878,812, application No. 29/756,423, which is a continuation-in-part of application No. 16/417,765, filed on May 21, 2019.

Primary Examiner — Mary Ann Calabrese

Assistant Examiner — Catherine Ho

(74) *Attorney, Agent, or Firm* — Buchanan Ingersoll & Rooney PC

(51) **LOC (13) Cl.** **06-06**

(52) **U.S. Cl.**
USPC **D6/643**

(57) **CLAIM**

The ornamental design for a workstation, as shown and described.

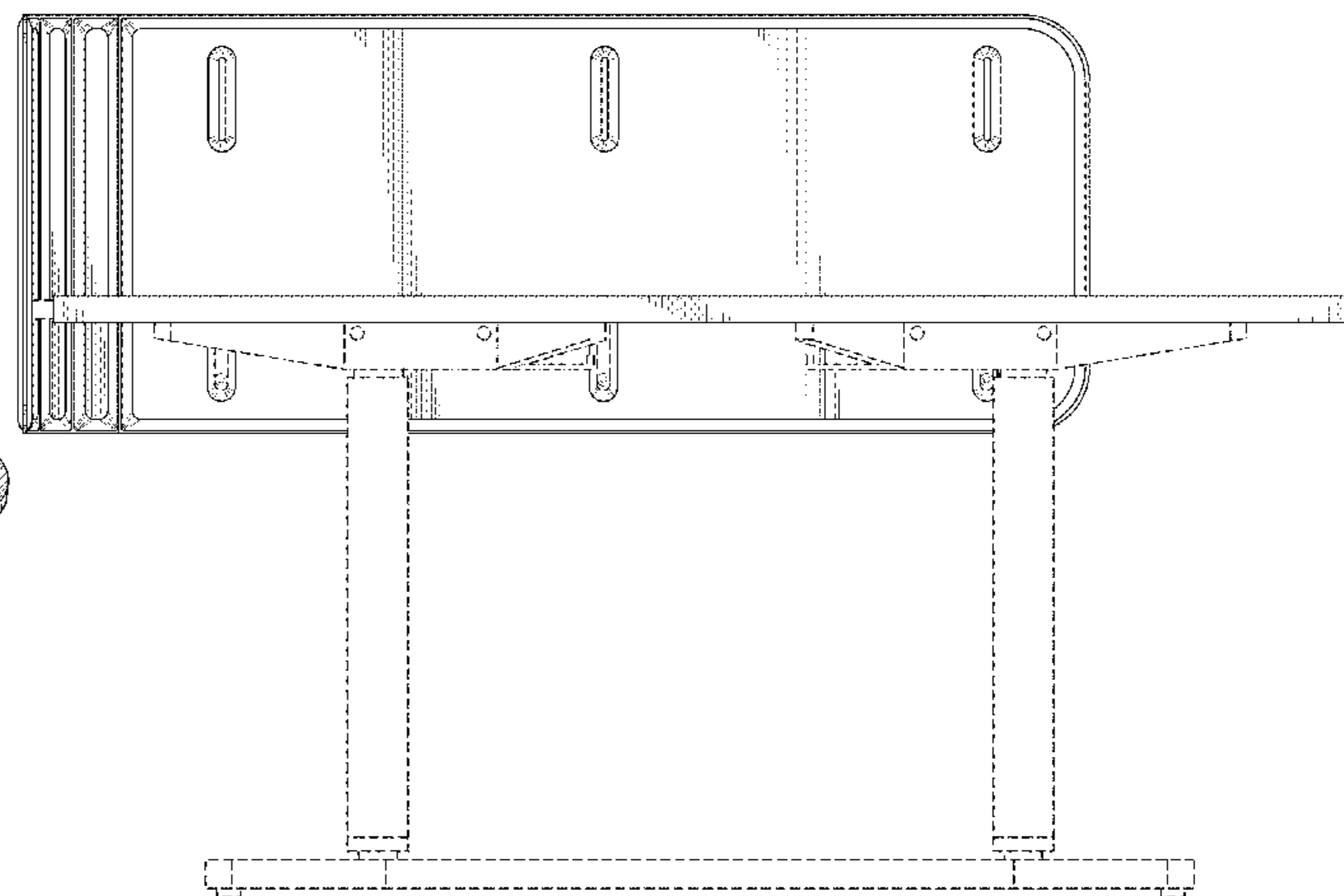
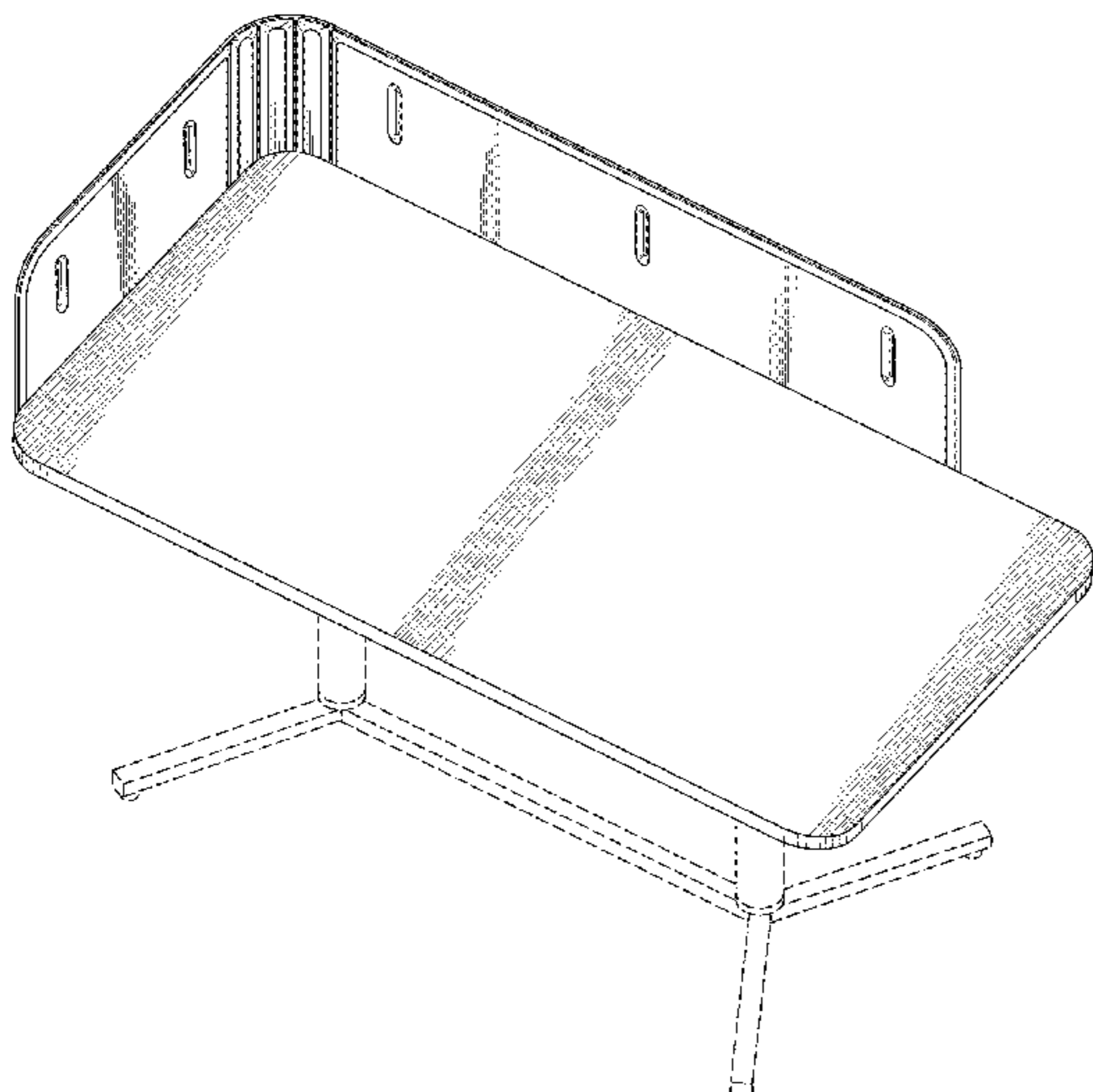
(58) **Field of Classification Search**

USPC D6/640, 641, 642, 643, 643.1, 644, 645, D6/648, 648.1, 648.3, 648.4, 649, 650, D6/651, 652, 654, 654.1, 655, 655.1, D6/655.11, 655.12, 655.13, 655.14, D6/655.15, 655.16, 656, 656.1, 656.11, D6/656.16, 656.17, 656.18, 656.19, 668, D6/685, 688.11, 688.21, 688.27, 690, D6/695, 698, 691, 691.6, 696.1, 700, 707, D6/707.19, 707.24, 707.26, 708, 708.2, D6/708.21, 708.23, 709.22
CPC A47B 9/00; A47B 9/04; A47B 9/06; A47B 3/08; A47B 21/00; A47B 21/02; A47B 21/06; A47B 21/007; A47B 21/0314;

DESCRIPTION

FIG. 1 is a perspective view of a workstation showing our new design;
FIG. 2 is a front elevational view thereof;
FIG. 3 is a rear elevational view thereof;
FIG. 4 is a top plan view thereof;
FIG. 5 is a bottom plan view thereof;
FIG. 6 is a left side elevational view thereof; and,
FIG. 7 is a right side elevational view thereof.
The broken lines shown in the drawing Figures illustrate portions of the workstation that form no part of the claimed design.

1 Claim, 7 Drawing Sheets



(56)

References Cited

U.S. PATENT DOCUMENTS

7,331,296 B1 * 2/2008 Wood A47B 45/00
 108/42
 D720,160 S * 12/2014 Lloyd D6/643
 D727,036 S * 4/2015 Tsuchiyama D6/332
 D732,850 S * 6/2015 Bouroullec D6/643
 D740,040 S * 10/2015 Bouroullec D6/338
 D740,058 S * 10/2015 Bouroullec D6/643.1
 D758,776 S * 6/2016 McKenna D6/717
 D758,777 S * 6/2016 McKenna D6/717
 D761,577 S * 7/2016 Agati D6/338
 D762,876 S 8/2016 Karashima
 9,593,481 B2 * 3/2017 Gosling E04B 2/7407
 9,622,570 B1 * 4/2017 Holdredge A47B 5/00
 D788,495 S * 6/2017 Bouroullec D6/643.1
 D791,512 S 7/2017 Bouroullec et al.
 9,693,624 B2 * 7/2017 Mitchell A47B 9/00
 D793,749 S 8/2017 Kitajima
 D793,750 S 8/2017 Kitajima
 D824,195 S 7/2018 Ezure et al.
 D843,136 S 3/2019 Ezure et al.
 D853,758 S 7/2019 Prontera et al.
 D861,379 S 10/2019 Citterio

D861,380 S 10/2019 Citterio
 D863,831 S * 10/2019 Citterio D6/643
 D863,832 S 10/2019 Citterio
 D863,833 S 10/2019 Moore
 D877,540 S * 3/2020 Yamamoto D6/643
 D877,541 S 3/2020 Yamamoto
 D878,812 S 3/2020 Udagawa et al.
 D904,078 S * 12/2020 Udagawa D6/643
 D907,406 S * 1/2021 Udagawa D6/643
 2005/0000168 A1 * 1/2005 Wright E04B 2/82
 52/36.1
 2005/0140184 A1 * 6/2005 Williams A47C 13/00
 297/135
 2005/0236173 A1 10/2005 Vandervelde
 2012/0305203 A1 12/2012 Verbeek et al.
 2014/0226360 A1 * 8/2014 Krijn G02B 6/0096
 362/555
 2016/0280533 A1 * 9/2016 Tsuchiyama B68G 5/00
 2017/0224102 A1 * 8/2017 Randolph A47B 3/00
 2018/0055229 A1 3/2018 Game et al.
 2018/0125230 A1 * 5/2018 Yamamoto A47B 9/20
 2018/0216342 A1 * 8/2018 Lert, Jr. E04B 2/7416
 2018/0295982 A1 * 10/2018 Yamamoto A47B 13/088
 2019/0223590 A1 7/2019 Moore
 2019/0365101 A1 12/2019 Udagawa et al.

* cited by examiner

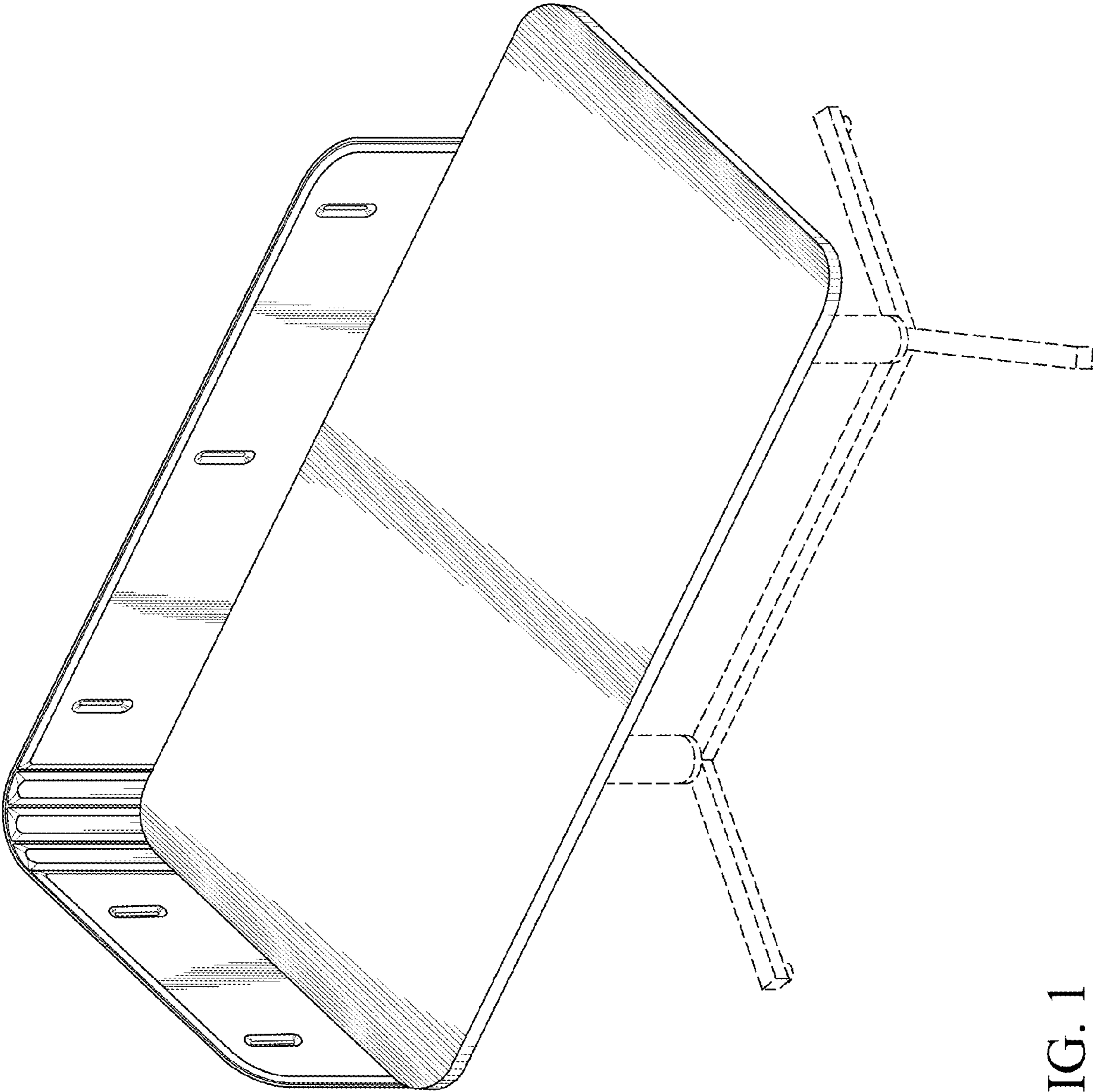


FIG. 1

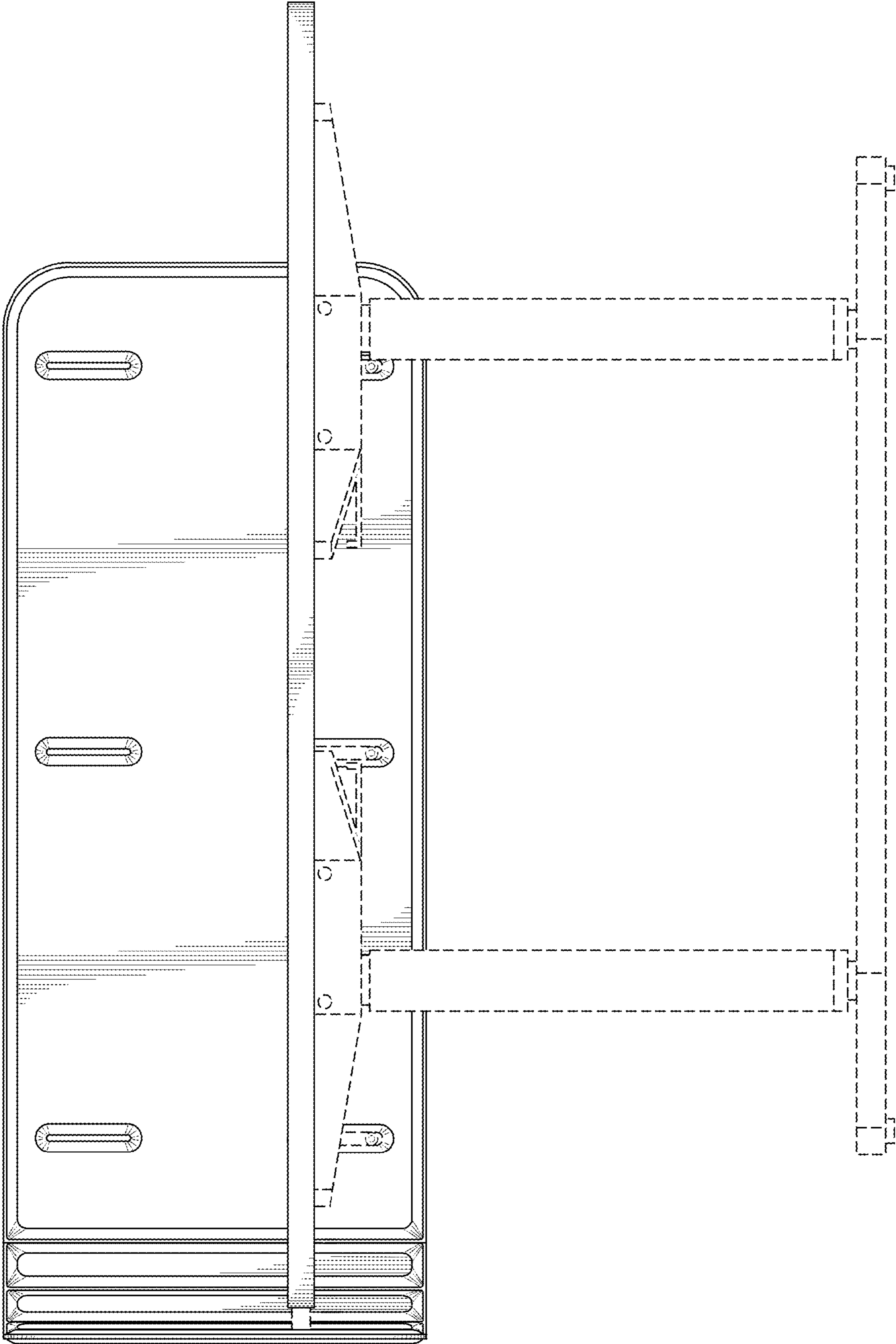


FIG. 2

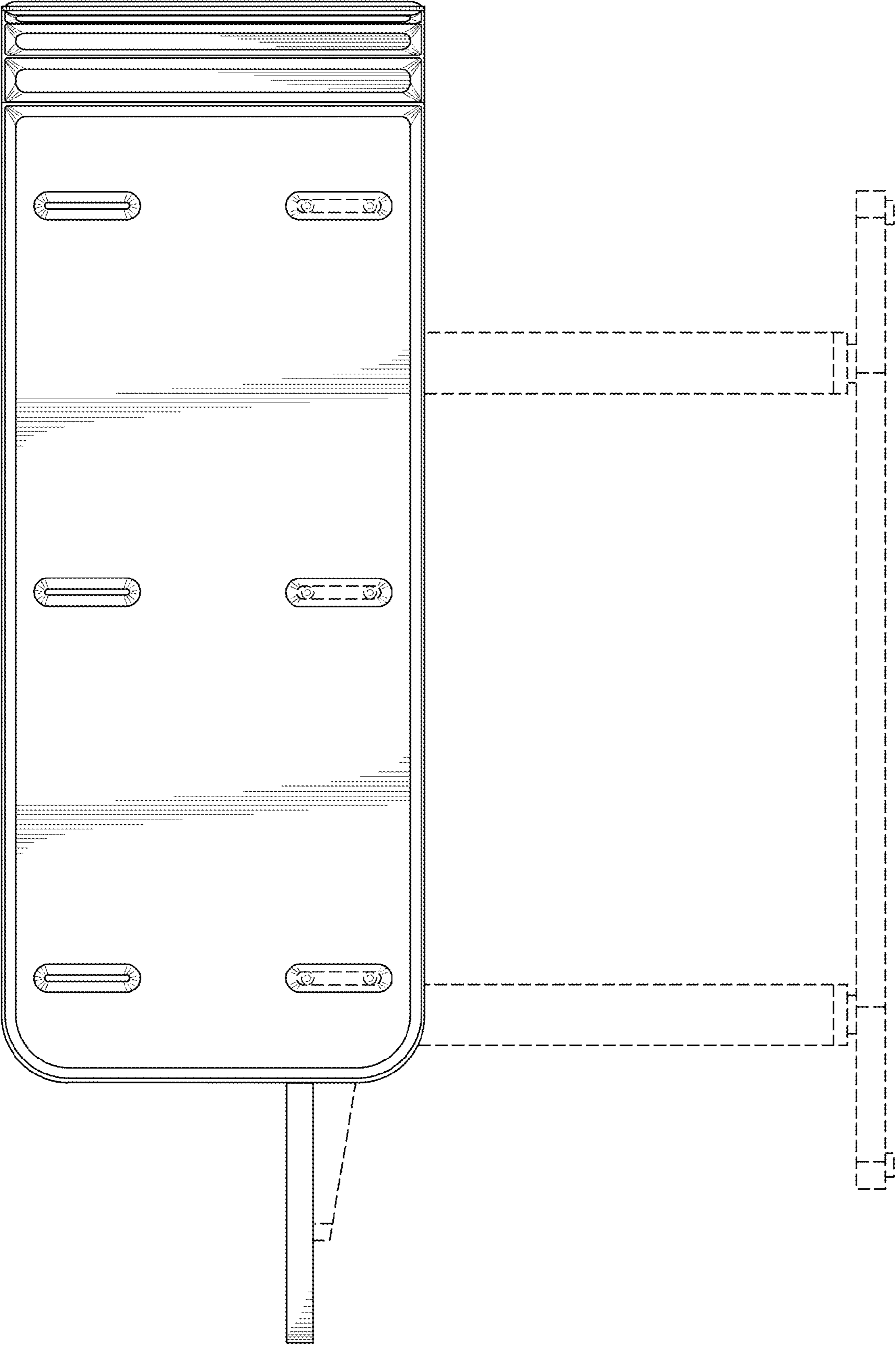


FIG. 3

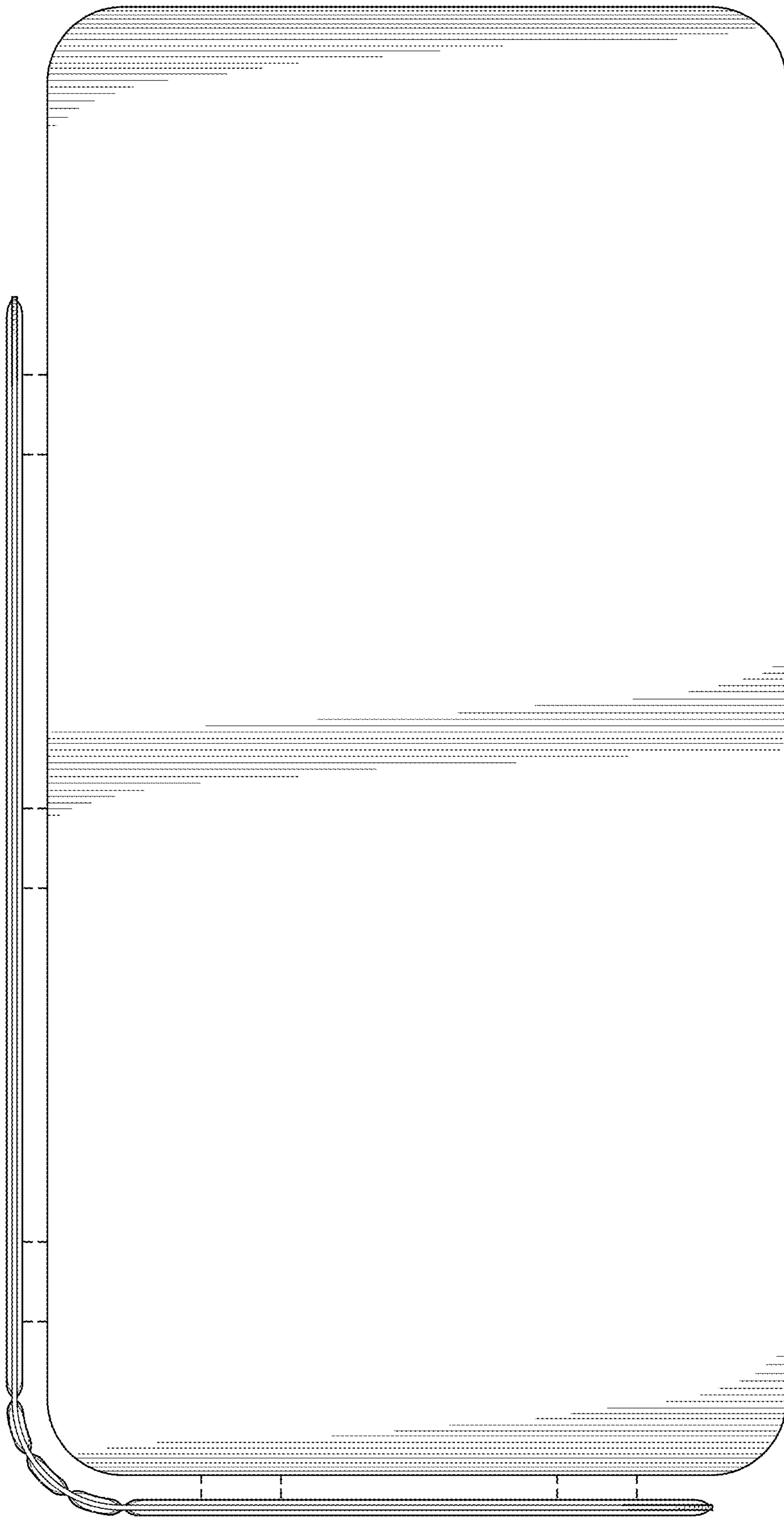


FIG. 4

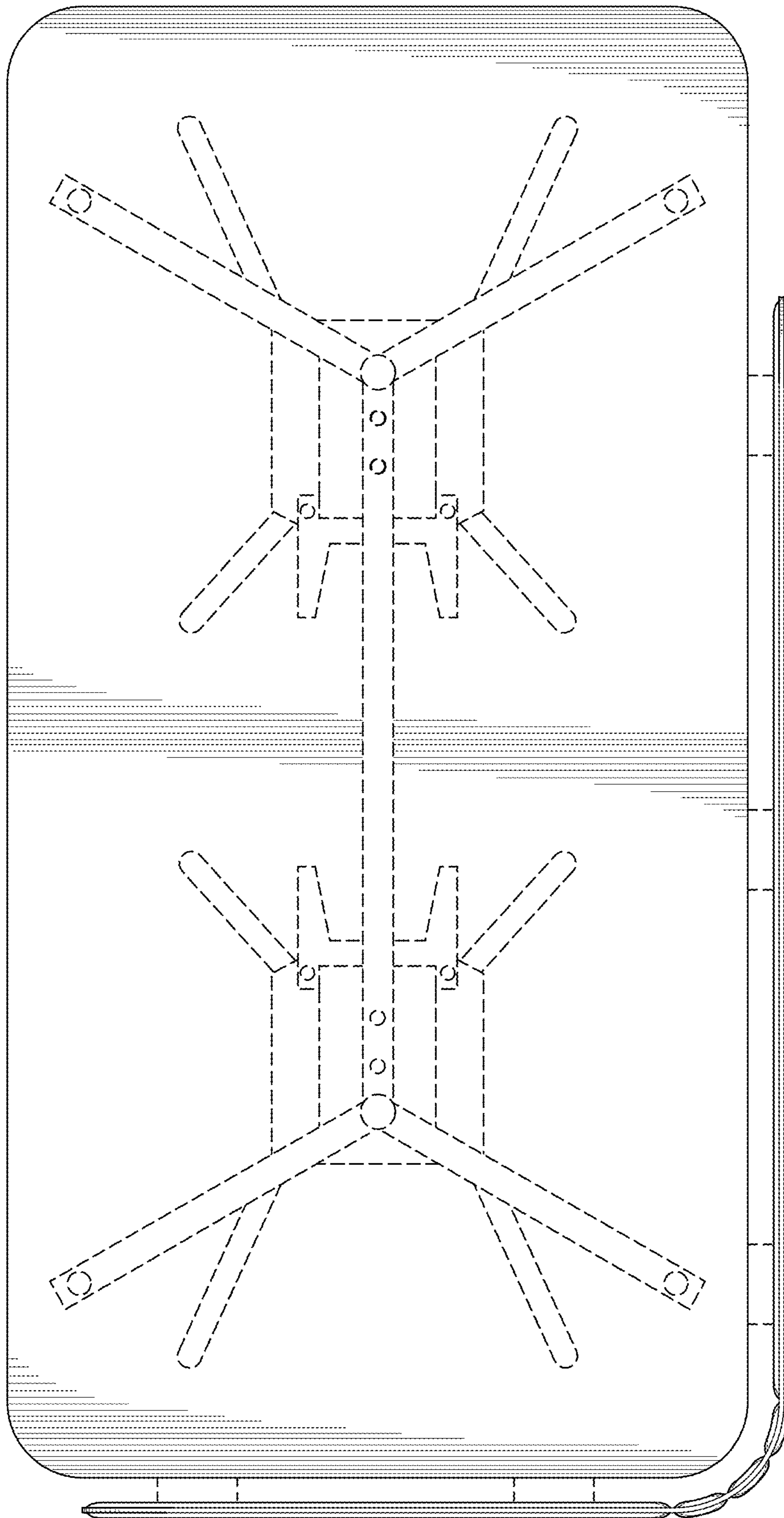


FIG. 5

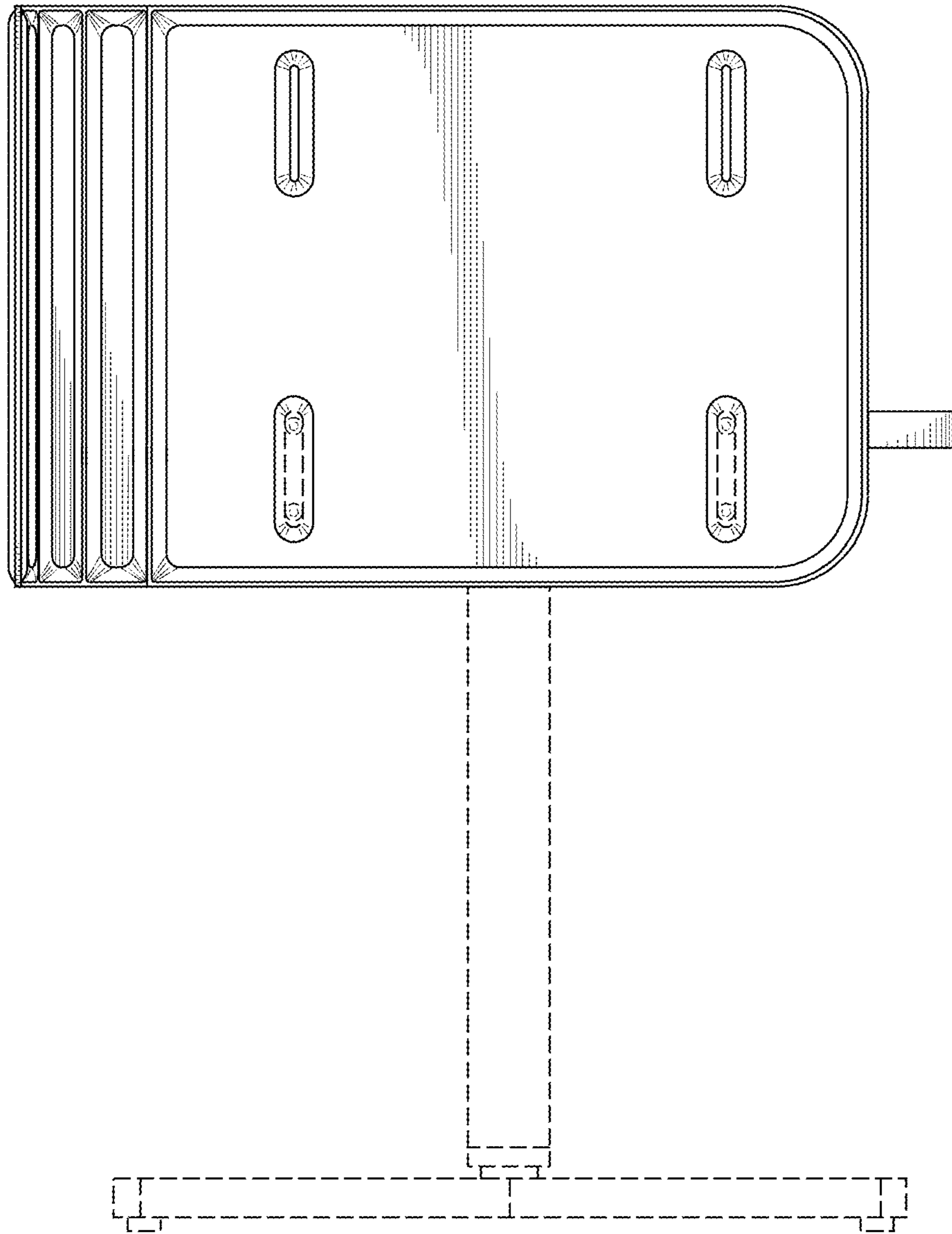


FIG. 6

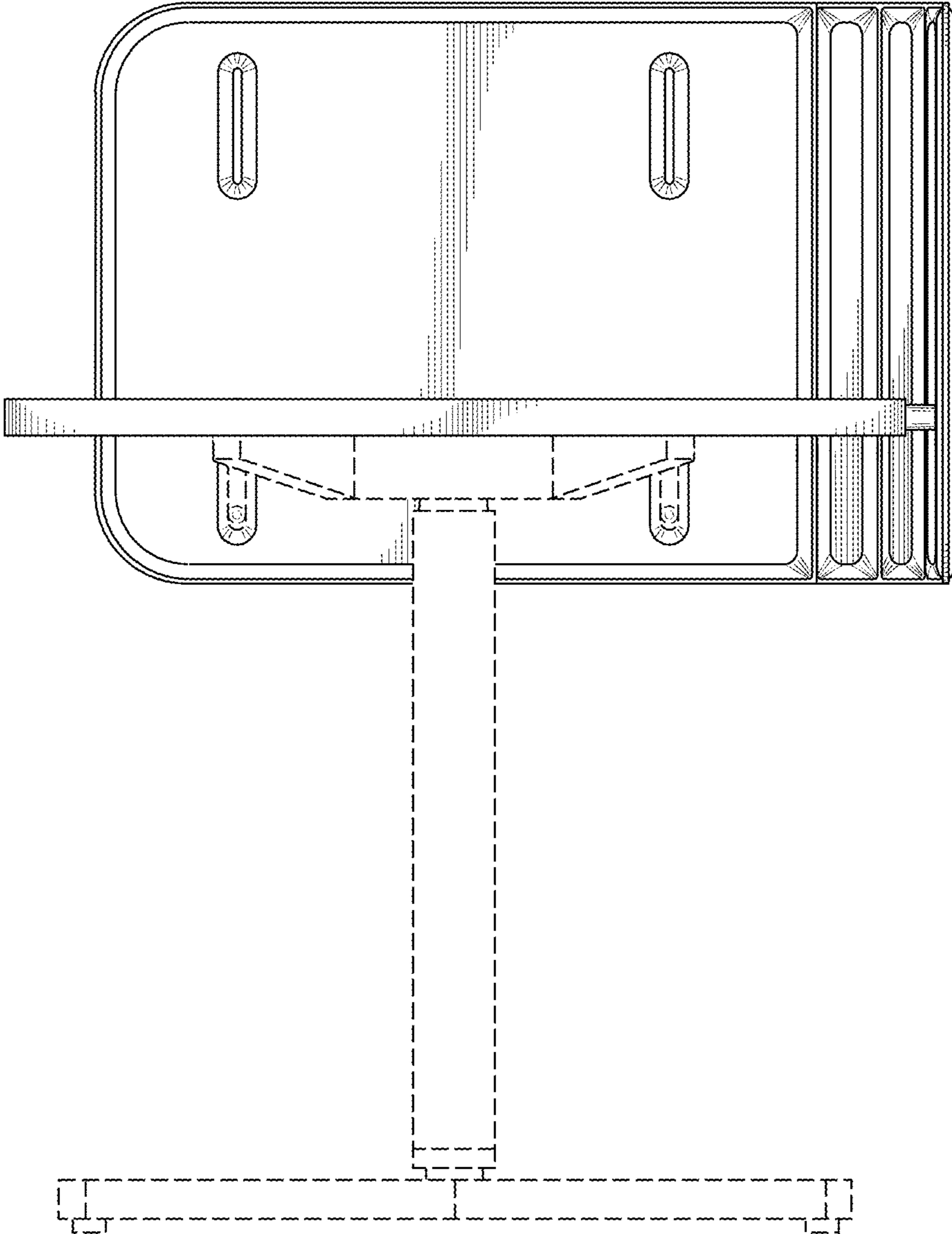


FIG. 7