



US00D922101S

(12) **United States Design Patent**
McIntosh

(10) **Patent No.:** **US D922,101 S**

(45) **Date of Patent:** **** Jun. 15, 2021**

- (54) **BED SHEET RETAINER**
- (71) Applicant: **Rubber Tucker, LLC**, Clinton Township, MI (US)
- (72) Inventor: **Gregory A. McIntosh**, Clinton Township, MI (US)
- (73) Assignee: **Rubber Tucker, LLC**, Clinton Township, MI (US)
- (**) Term: **15 Years**
- (21) Appl. No.: **29/678,283**
- (22) Filed: **Jan. 28, 2019**
- (51) **LOC (13) Cl.** **06-99**
- (52) **U.S. Cl.**
USPC **D6/607**
- (58) **Field of Classification Search**
USPC D6/582-583, 587-592, 595-609,
D6/617-622; D21/803-809; D24/183
CPC A47G 9/00; A47G 2009/001; A47G
2009/002; A47G 2009/003; A47G 9/10;
A47G 9/1009; A47G 2009/1018; A47G
9/1045; A47G 9/1081; A47G 9/109;
A47G 2009/005; A47G 2009/006; A47G
9/02; A47G 9/0207; A47G 9/0215; A47G
9/0223; A47G 9/023; A47G 9/0238;
A47G 9/0246; A47G 9/0253; A47G
9/0261; A47G 2009/0269; A47G 11/002;
A47G 21/165
See application file for complete search history.

(56) **References Cited**

U.S. PATENT DOCUMENTS

- 2,104,261 A * 1/1938 Landau A47H 13/00
160/392
- 2,264,064 A 11/1941 Breslaur
- 2,507,091 A * 5/1950 Carlson A47C 21/022
24/72.5
- D215,919 S * 11/1969 Seelig D5/7

- D314,081 S * 1/1991 Lehman D2/625
- 5,033,139 A * 7/1991 Renfro A47C 21/022
5/658
- 5,206,964 A * 5/1993 Wilson, Sr. A47G 9/062
5/417
- D456,199 S * 4/2002 Stratton D6/607
- 6,877,175 B1 * 4/2005 Jeffries A47C 21/026
24/72.5
- 6,907,628 B2 * 6/2005 El Guermaai A47C 21/022
24/72.5
- 7,467,428 B2 * 12/2008 Hanes A47C 21/022
24/72.5
- D691,399 S * 10/2013 Jalan D6/602
- D781,078 S * 3/2017 Goenka D6/602
- D908,399 S * 1/2021 Tribble D6/607
- 2008/0222807 A1 * 9/2008 Hanes A47C 21/022
5/498
- 2009/0056085 A1 * 3/2009 Lin B65F 1/06
24/303

(Continued)

Primary Examiner — Jennifer L Rempfer
(74) *Attorney, Agent, or Firm* — Norman E. Lehrer

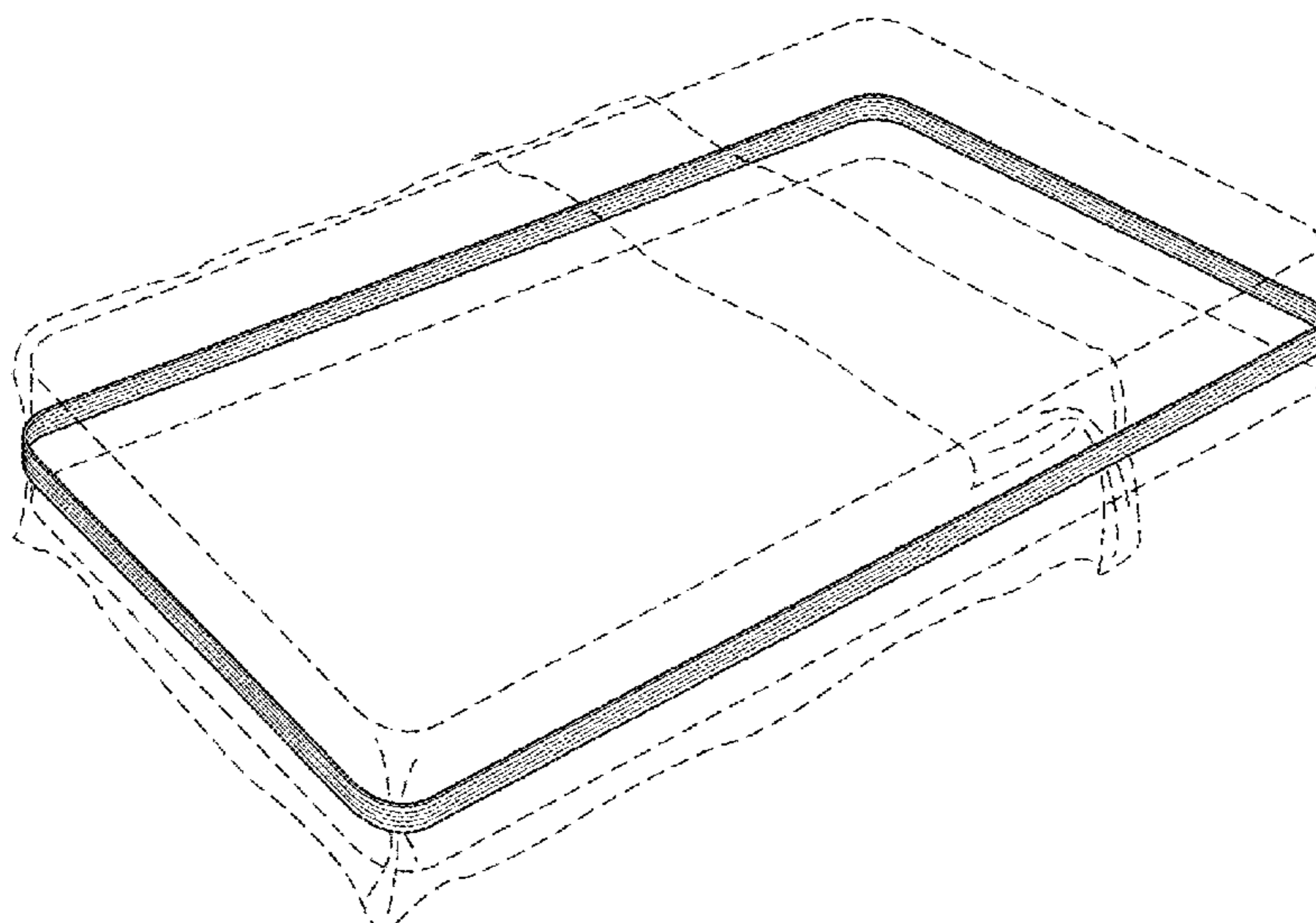
(57) **CLAIM**

The ornamental design for a bed sheet retainer, as shown and described.

DESCRIPTION

FIG. 1 is a perspective view of a bed sheet retainer showing my new design;
 FIG. 2 is a cross sectional view thereof taken through any point along the length of the bed sheet retainer;
 FIG. 3 is an exploded view of the outer surface thereof taken along any point of the bed sheet retainer, the inner surface having the same appearance; and,
 FIG. 4 is a perspective view thereof showing the bed sheet retainer in place.
 The broken lines shown in FIG. 4 illustrate the environment only and form no part of the claimed design.

1 Claim, 2 Drawing Sheets



(56)

References Cited

U.S. PATENT DOCUMENTS

2009/0106901 A1* 4/2009 Wootten, Jr. D05B 3/12
5/497

2013/0283528 A1 10/2013 Tzur

* cited by examiner

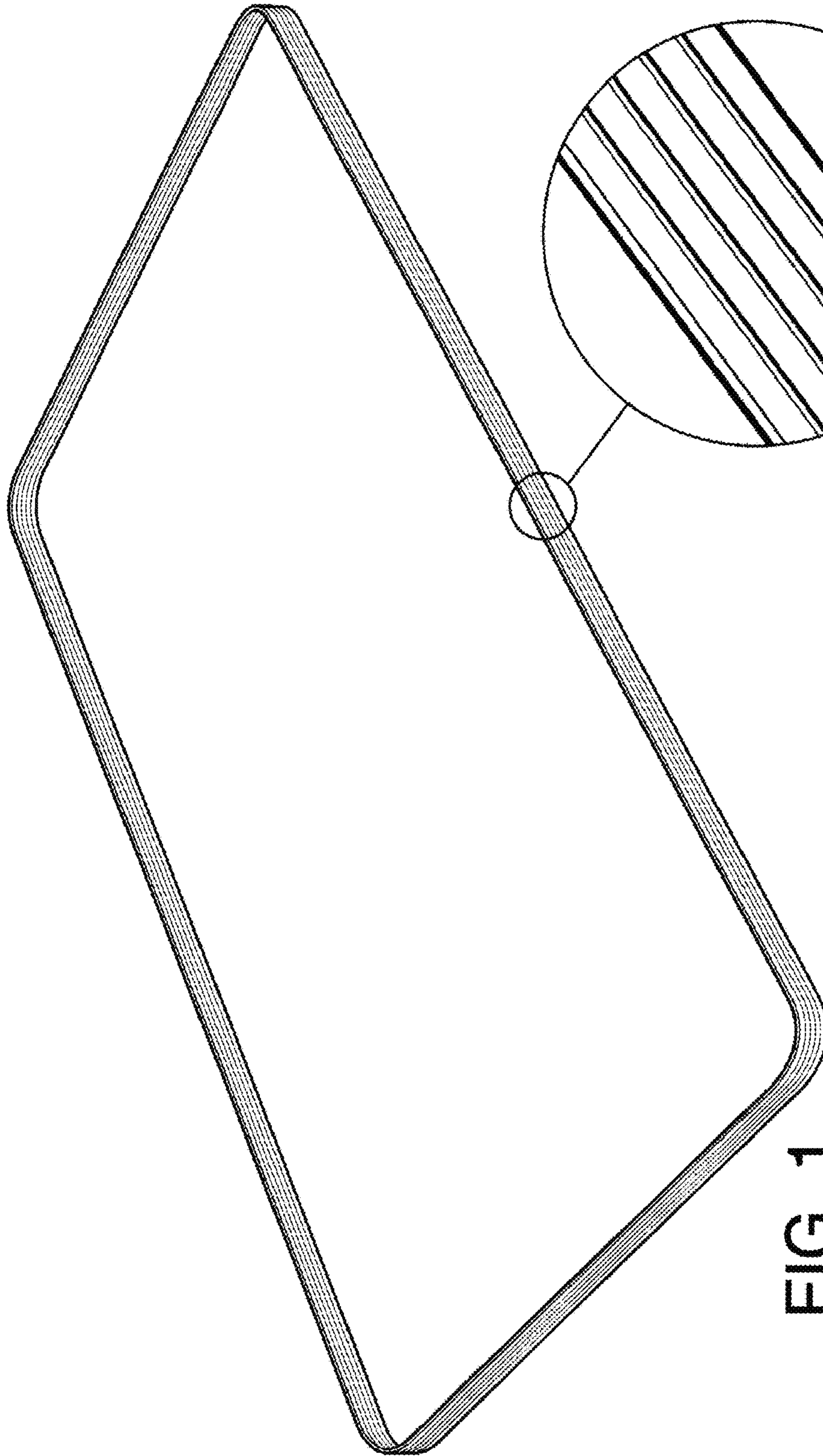


FIG. 1



FIG. 2

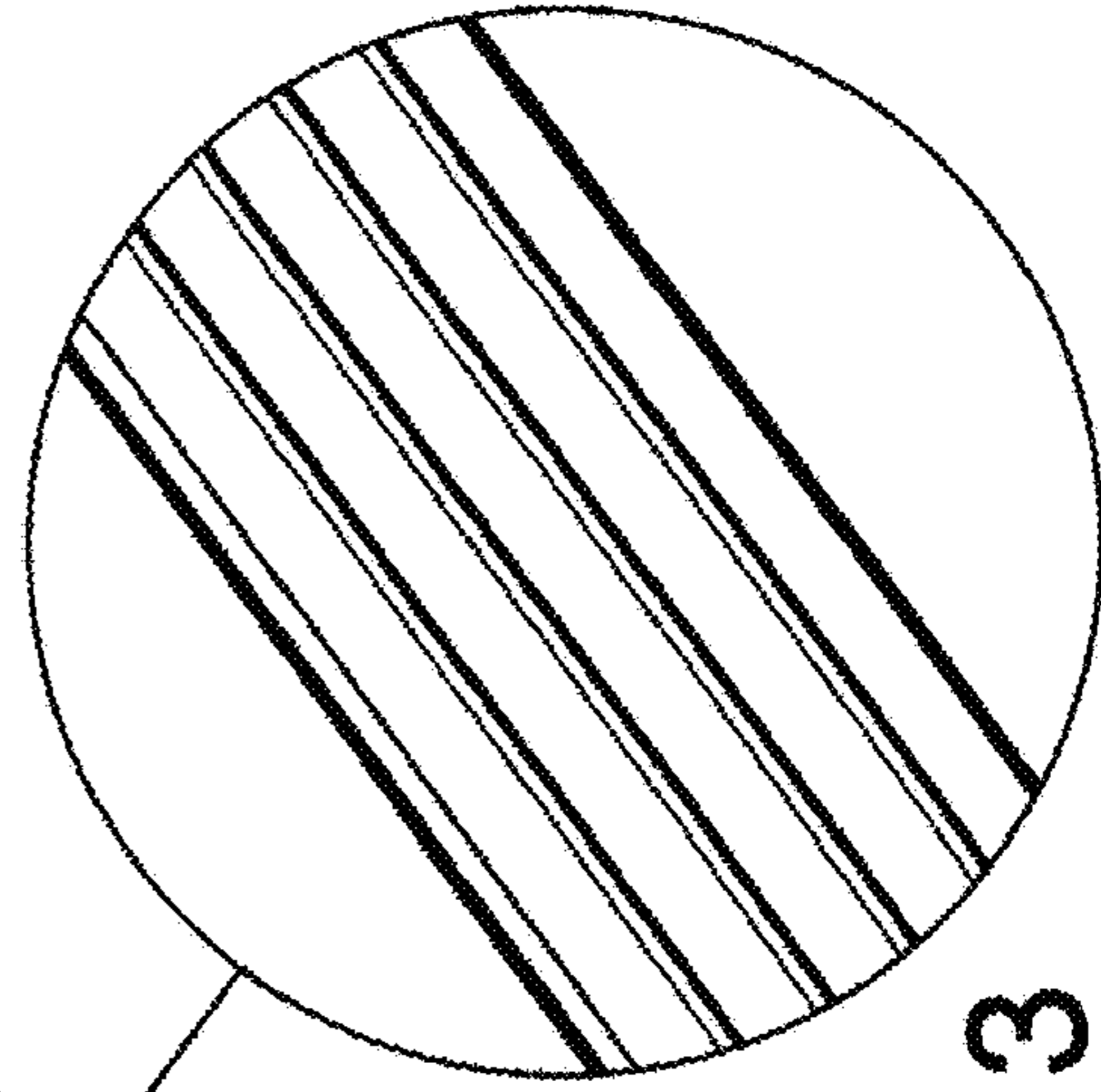


FIG. 3

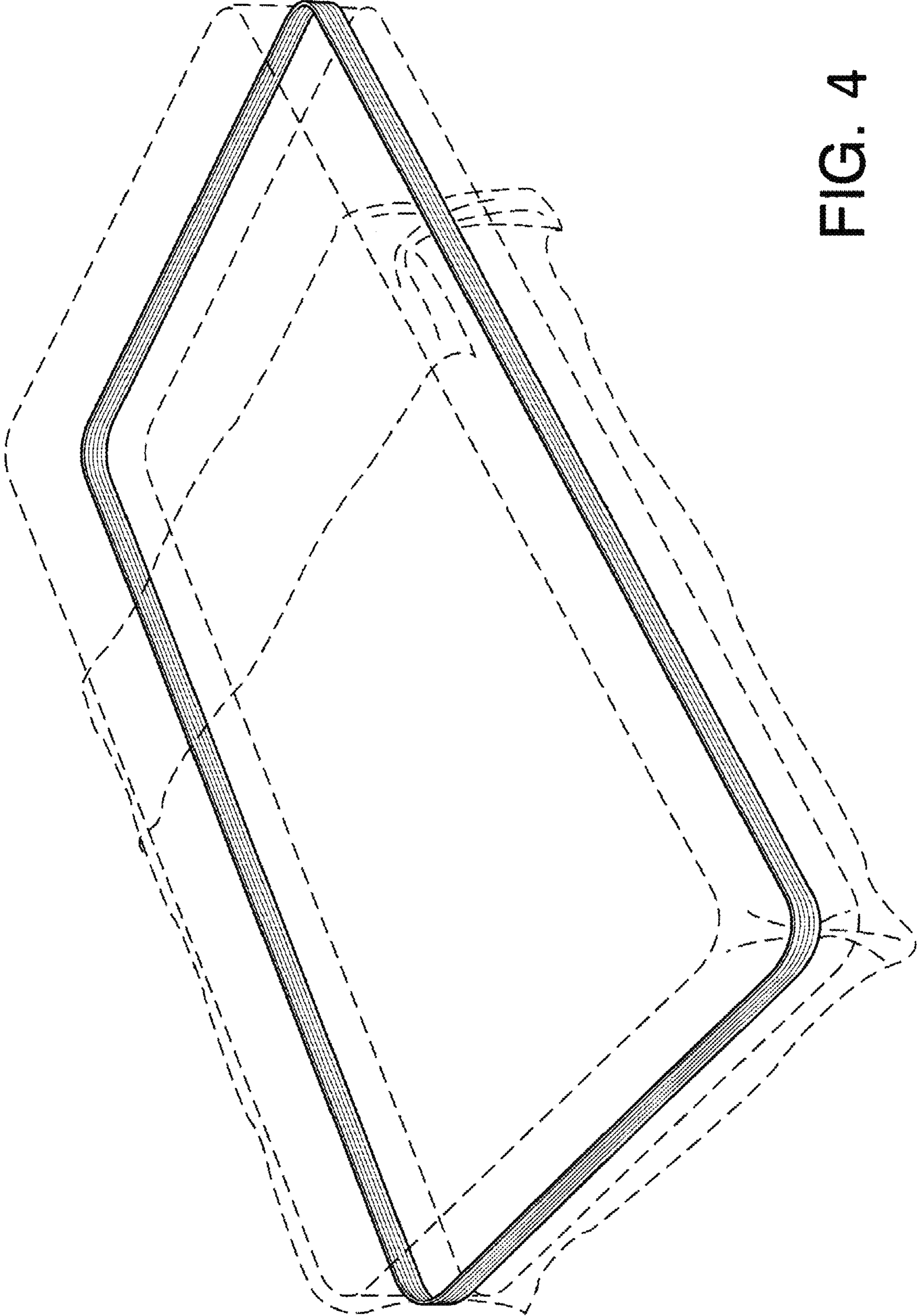


FIG. 4