



US00D922094S

(12) **United States Design Patent** (10) **Patent No.:** **US D922,094 S**
Shu (45) **Date of Patent:** **** Jun. 15, 2021**

(54) **ELECTRICAL WALL OUTLET SHELF**

(71) Applicant: **Hua Shu**, Shenzen (CN)

(72) Inventor: **Hua Shu**, Shenzen (CN)

(**) Term: **15 Years**

(21) Appl. No.: **29/739,969**

(22) Filed: **Jun. 30, 2020**

(51) **LOC (13) Cl.** **06-04**

(52) **U.S. Cl.**
USPC **D6/574**

(58) **Field of Classification Search**

USPC D6/574, 553, 567; 108/28-29; 248/235,
248/309.1; 211/13.1, 42, 71.01, 86.01,
211/88.01, 88.03, 90.01, 90.03, 126.1,
211/133.5; 385/135; 439/501; 174/66
CPC . A47B 81/00; A47B 95/008; A47B 2097/003;
A47B 96/02; A47G 29/00; A47G 29/087;
A46B 17/02; A61B 17/22

See application file for complete search history.

(56) **References Cited**

U.S. PATENT DOCUMENTS

1,353,898	A *	9/1920	Decker	F16N 3/04 248/310
D312,185	S *	11/1990	Prater, Sr.	D6/567
D579,255	S *	10/2008	Thompson	D6/574
D611,748	S *	3/2010	Stephens	D6/567
D660,633	S *	5/2012	Estrup	D6/574
D690,533	S *	10/2013	Majcher	D6/574
D722,794	S *	2/2015	Luong	D6/673
D750,466	S *	3/2016	McCoy	D8/353
D798,238	S	9/2017	Grossinger et al.		
D880,190	S *	4/2020	Williams	D6/553
2007/0221803	A1 *	9/2007	Jouett	A47G 33/004 248/309.1
2010/0065297	A1 *	3/2010	Gunderman	H04M 19/08 174/66
2011/0132634	A1 *	6/2011	Fetzer-Westmeister	H02G 3/14 174/66
2017/0055705	A1 *	3/2017	Ritch	A47G 29/00

OTHER PUBLICATIONS

Amazon.com, Made for Amazon Outlet Shelf for Amazon Echo Devices—White, Oct. 12, 2018, <https://www.amazon.com/Made-for-Amazon-Outlet-Shelf-Devices/dp/B07JF63SJH/> (Year: 2018).*

Lowes.com, Sanus 1-Gang Outlet Shelf White Single Specialty Wall Plate, Nov. 8, 2020, <https://www.lowes.com/pd/Sanus-1-Gang-Outlet-Shelf-White-Single-Specialty-Wall-Plate/1001065456?> (Year: 2020).*

Pealesmith.com, Wall Outlet Shelf Holder Charging Socket Power Per Organizer-PSHOS1, Oct. 1, 2020, <https://www.perlesmith.com/products/wall-outlet-shelf-holder-charging-socket-power-perch-organizer> (Year: 2020).*

* cited by examiner

Primary Examiner — Nathan M Johnston

(57) **CLAIM**

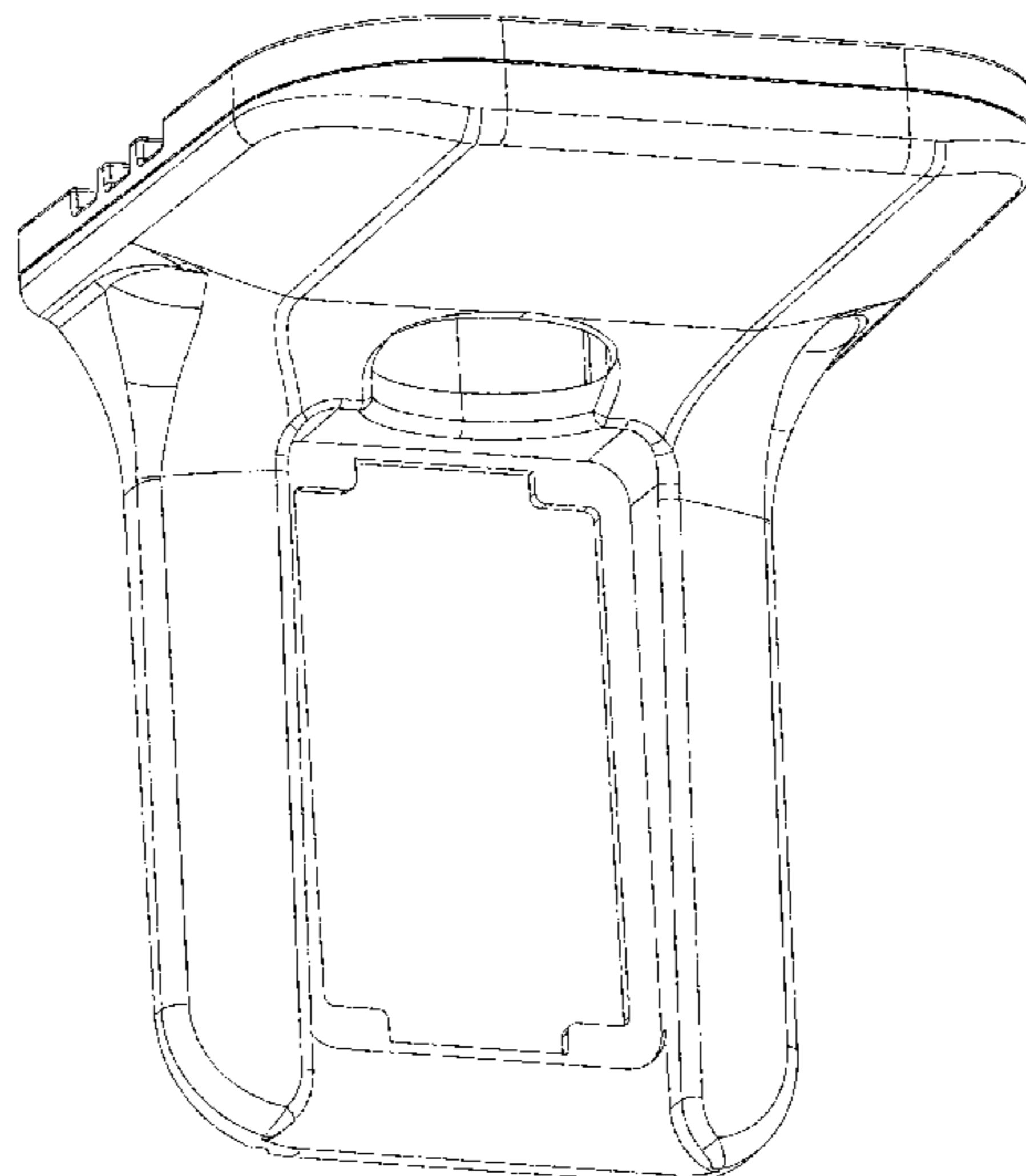
The ornamental design for an electrical wall outlet shelf, as shown and described.

DESCRIPTION

FIG. 1 is a perspective view of an electrical wall outlet shelf showing my new design in a extended configuration; FIG. 2 is another perspective view thereof; FIG. 3 is a front elevational view thereof; FIG. 4 is a rear elevational view thereof; FIG. 5 is a left side elevational view thereof; FIG. 6 is a right side elevational view thereof; FIG. 7 is a top plan view thereof; and, FIG. 8 is a bottom plan view thereof.

The broken lines shown in the drawings are included for the purpose of illustrating environmental structure and unclaimed portions of the electrical wall outlet shelf and form no part of the claimed design.

1 Claim, 8 Drawing Sheets



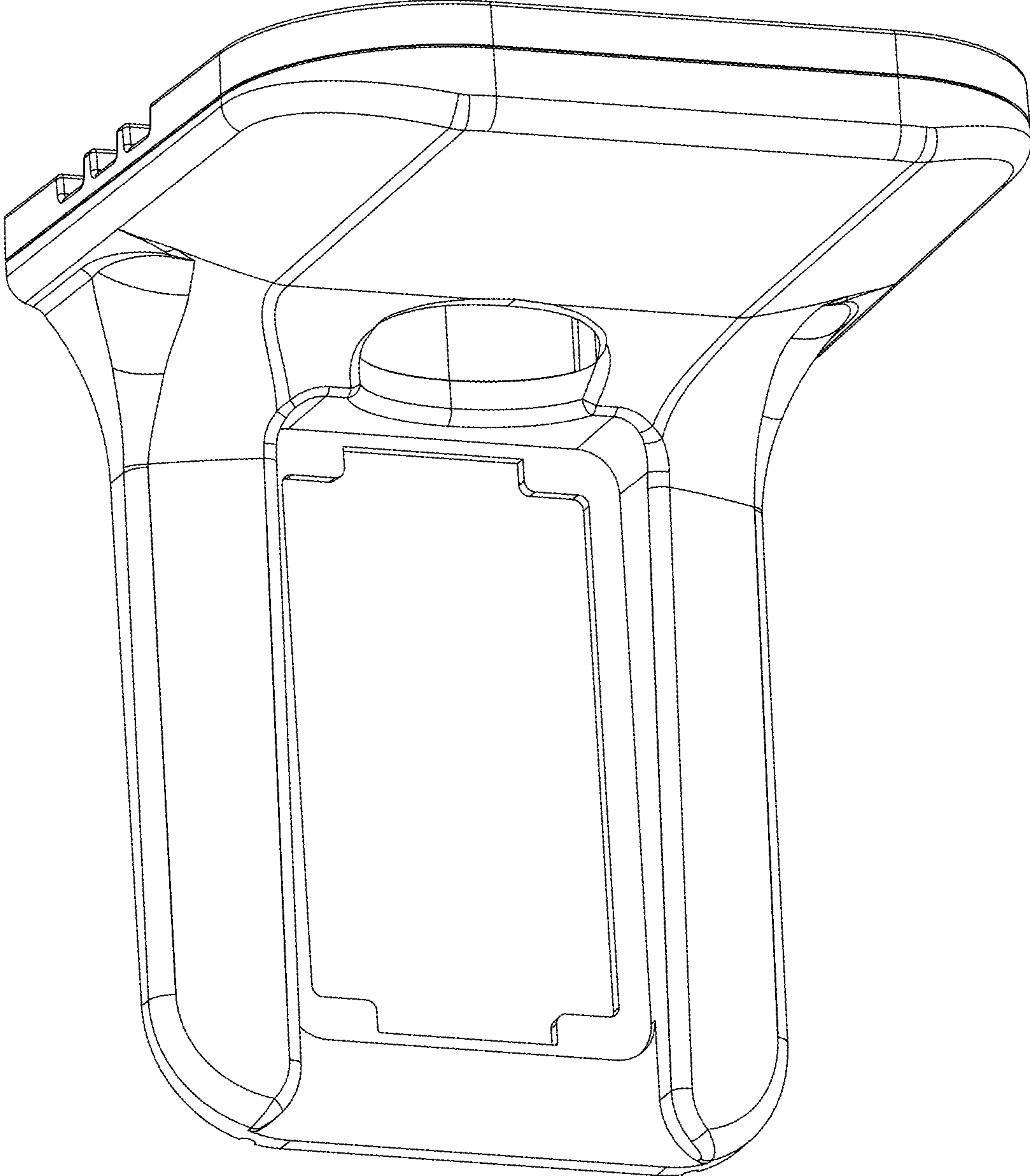


FIG. 1

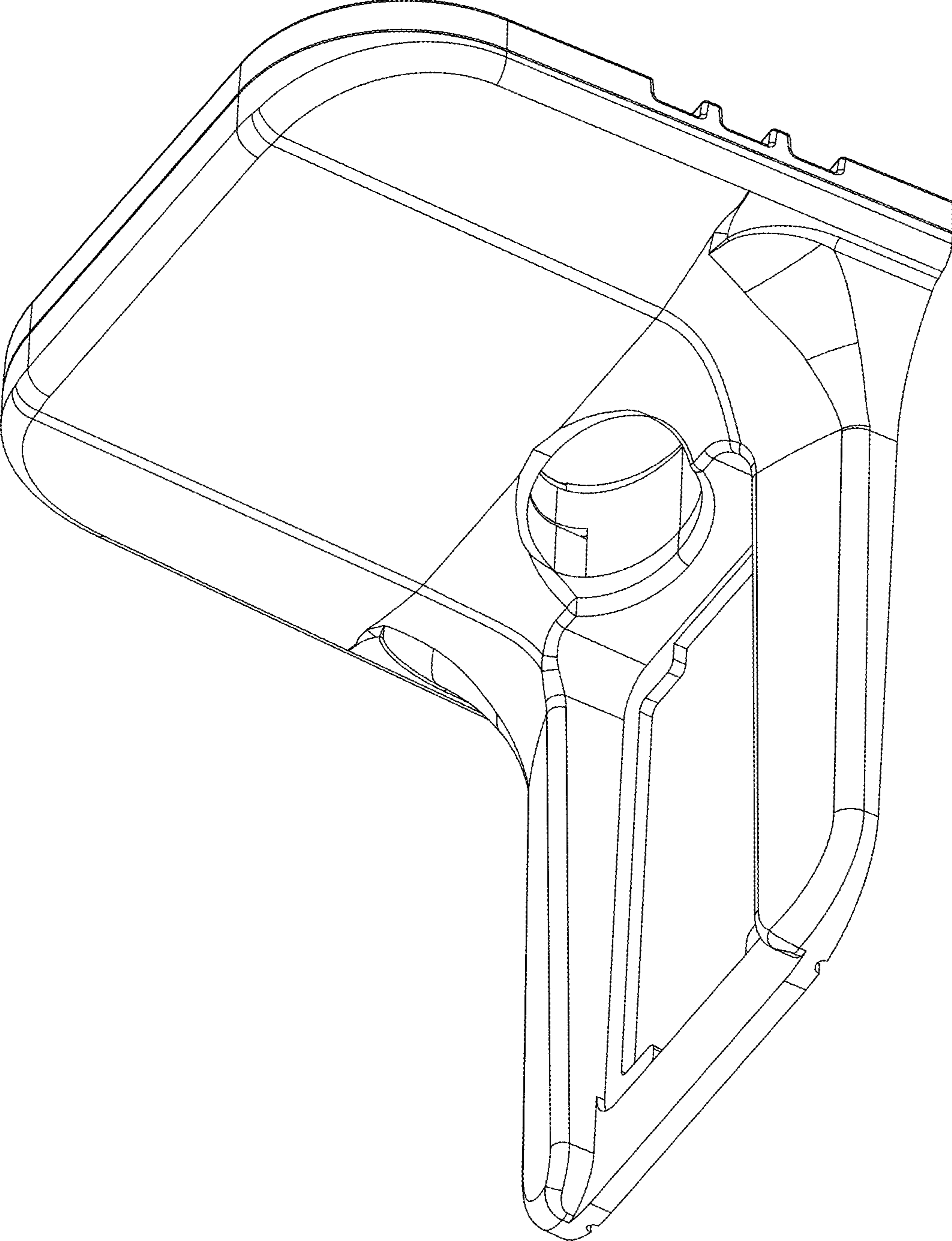


FIG. 2

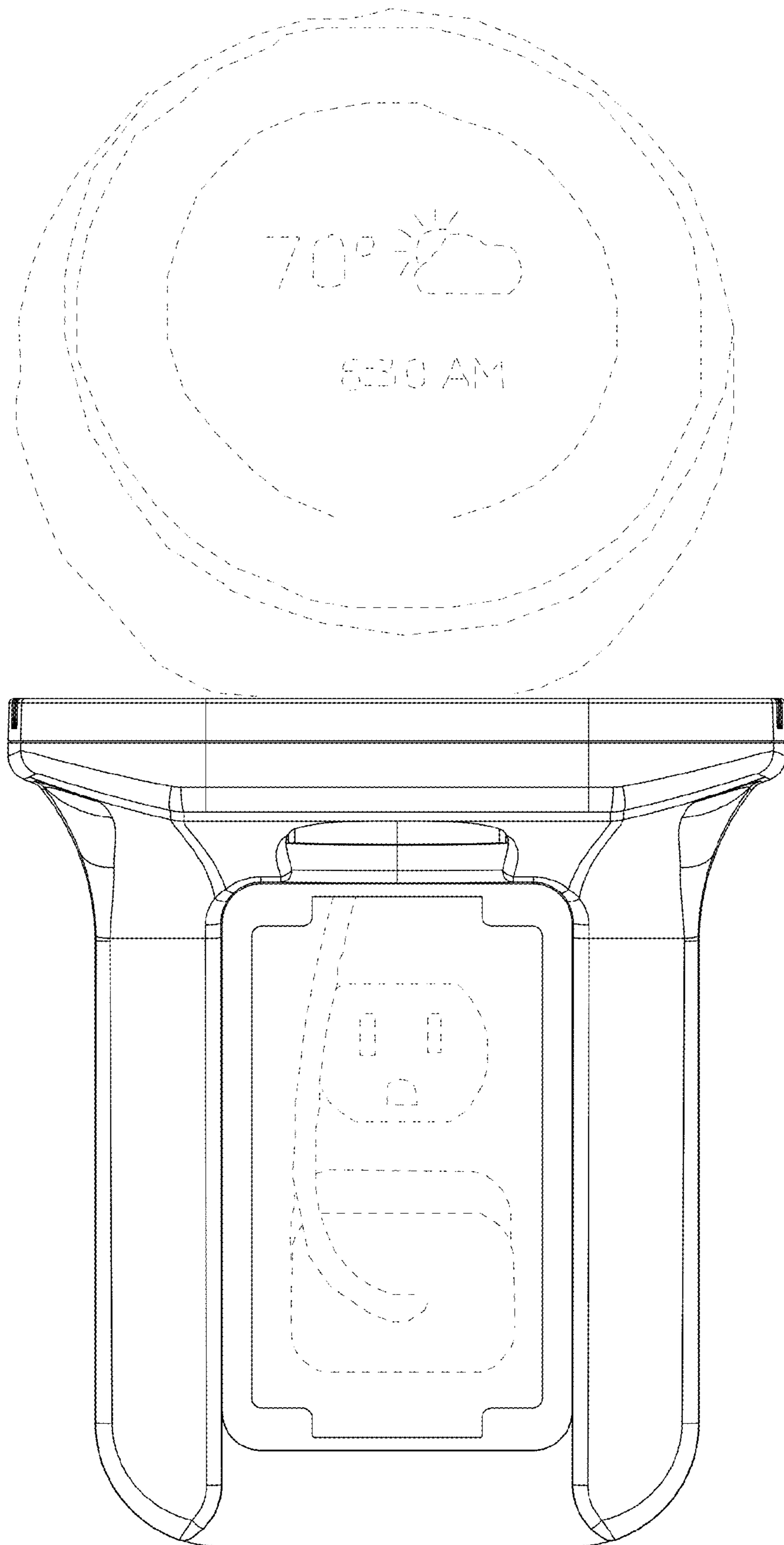


FIG. 3

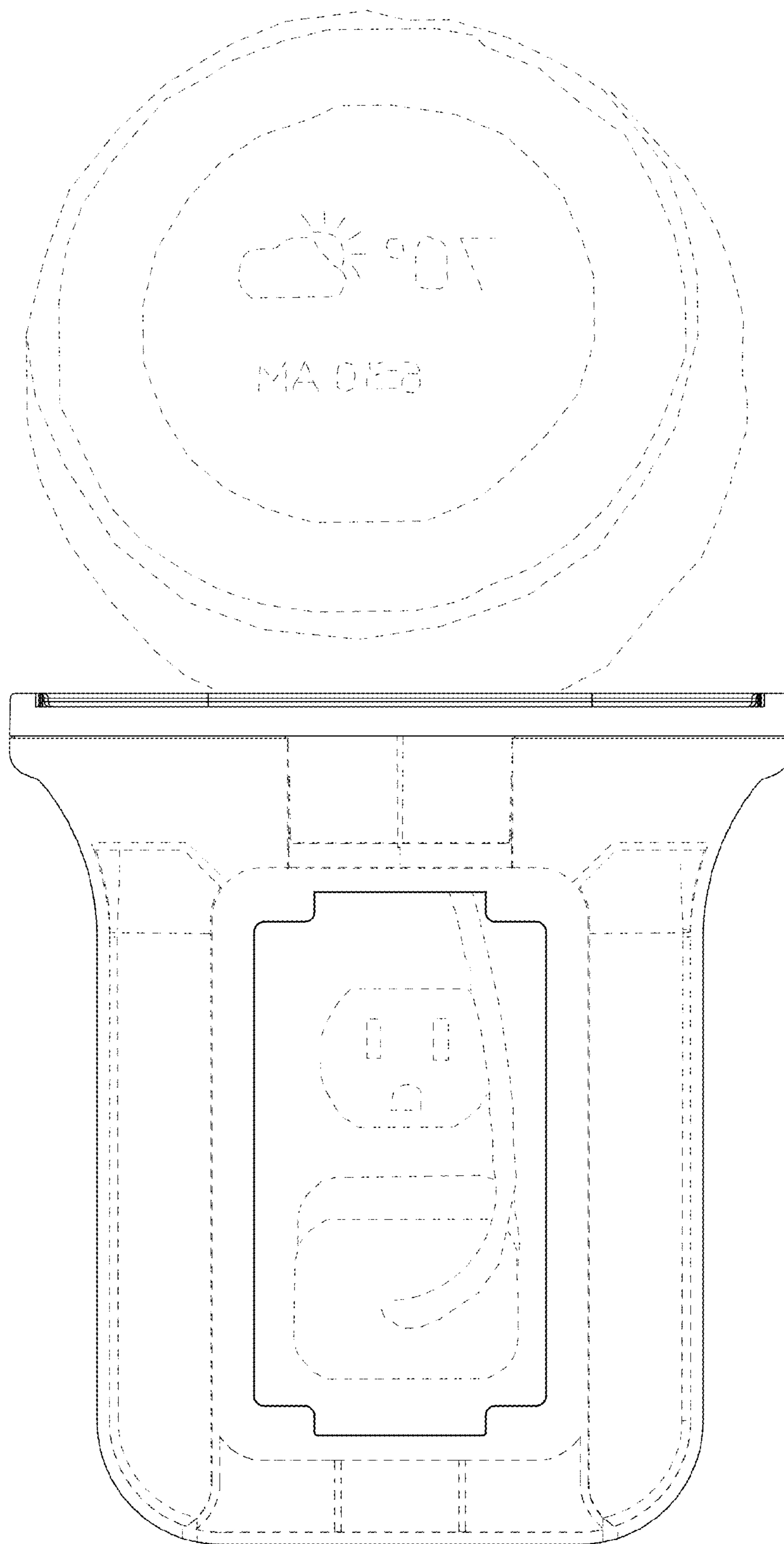


FIG. 4

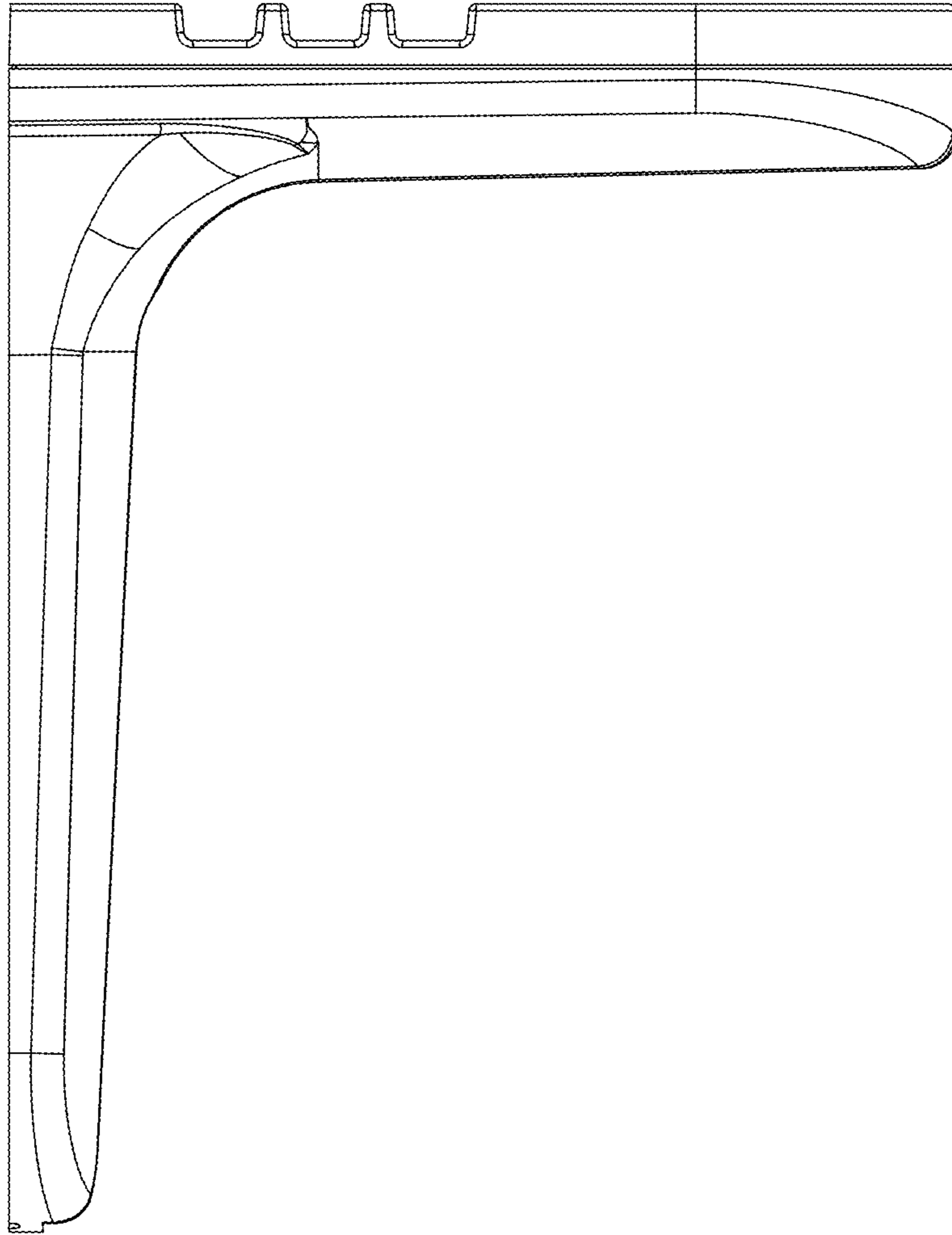


FIG. 5

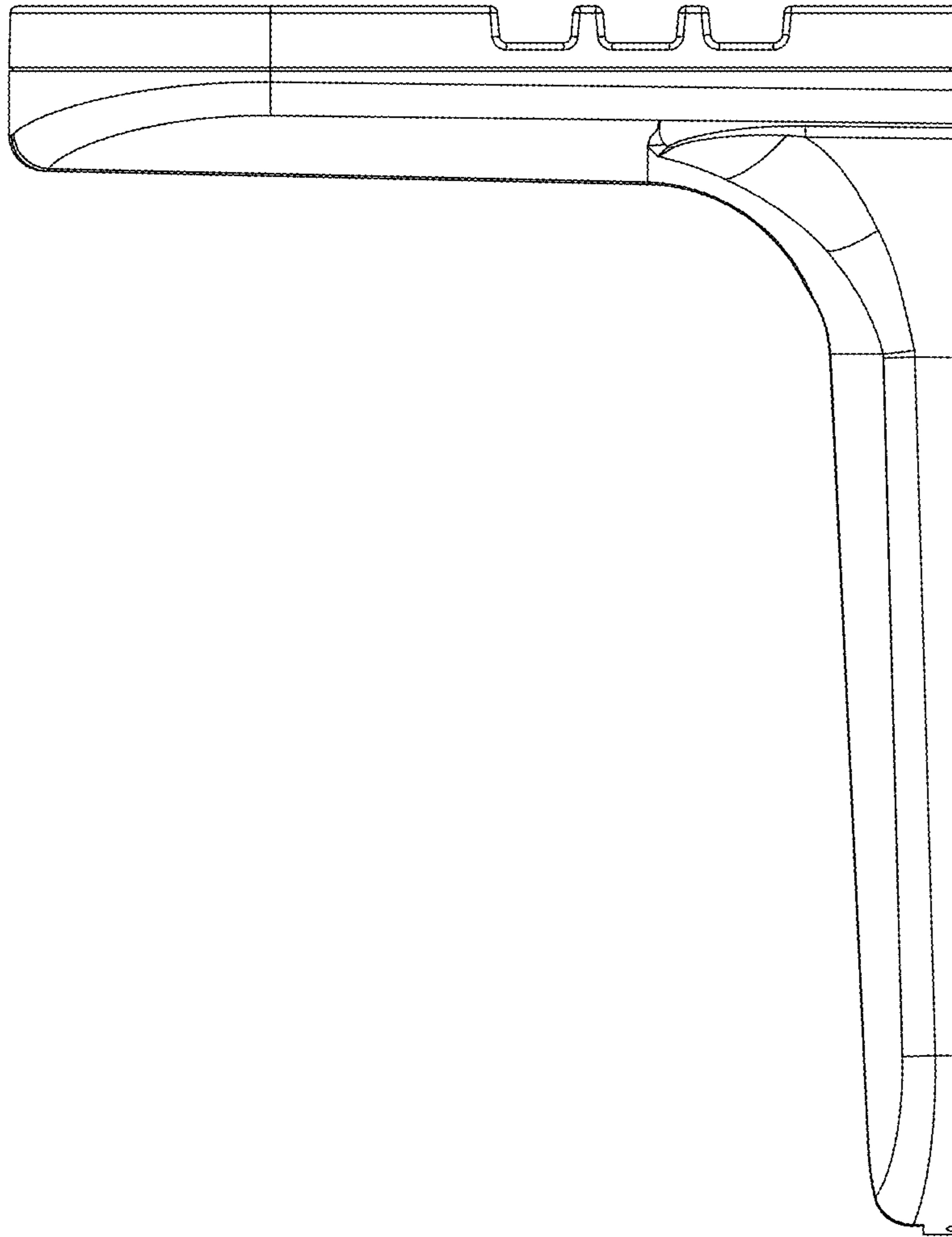


FIG. 6

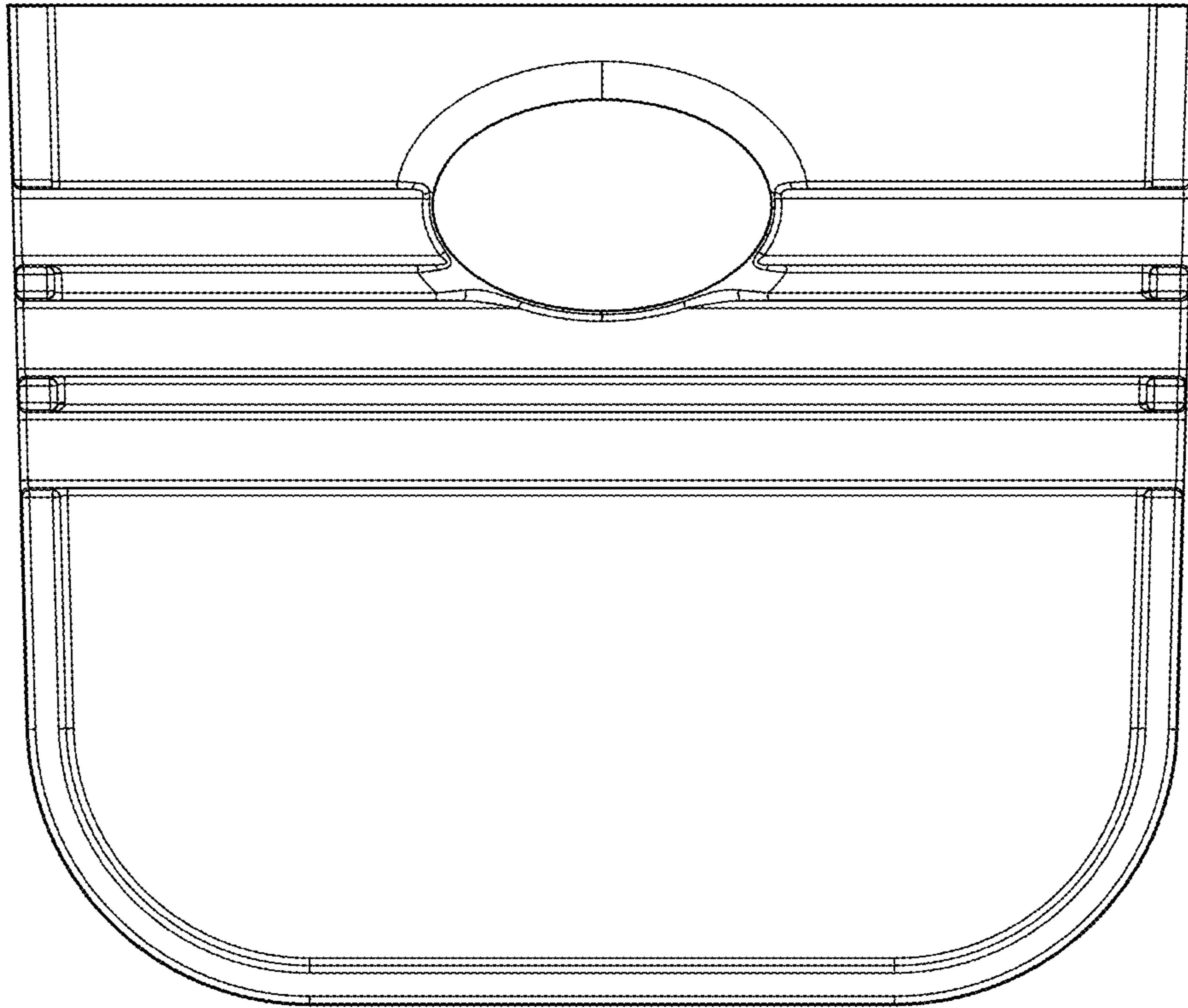


FIG. 7

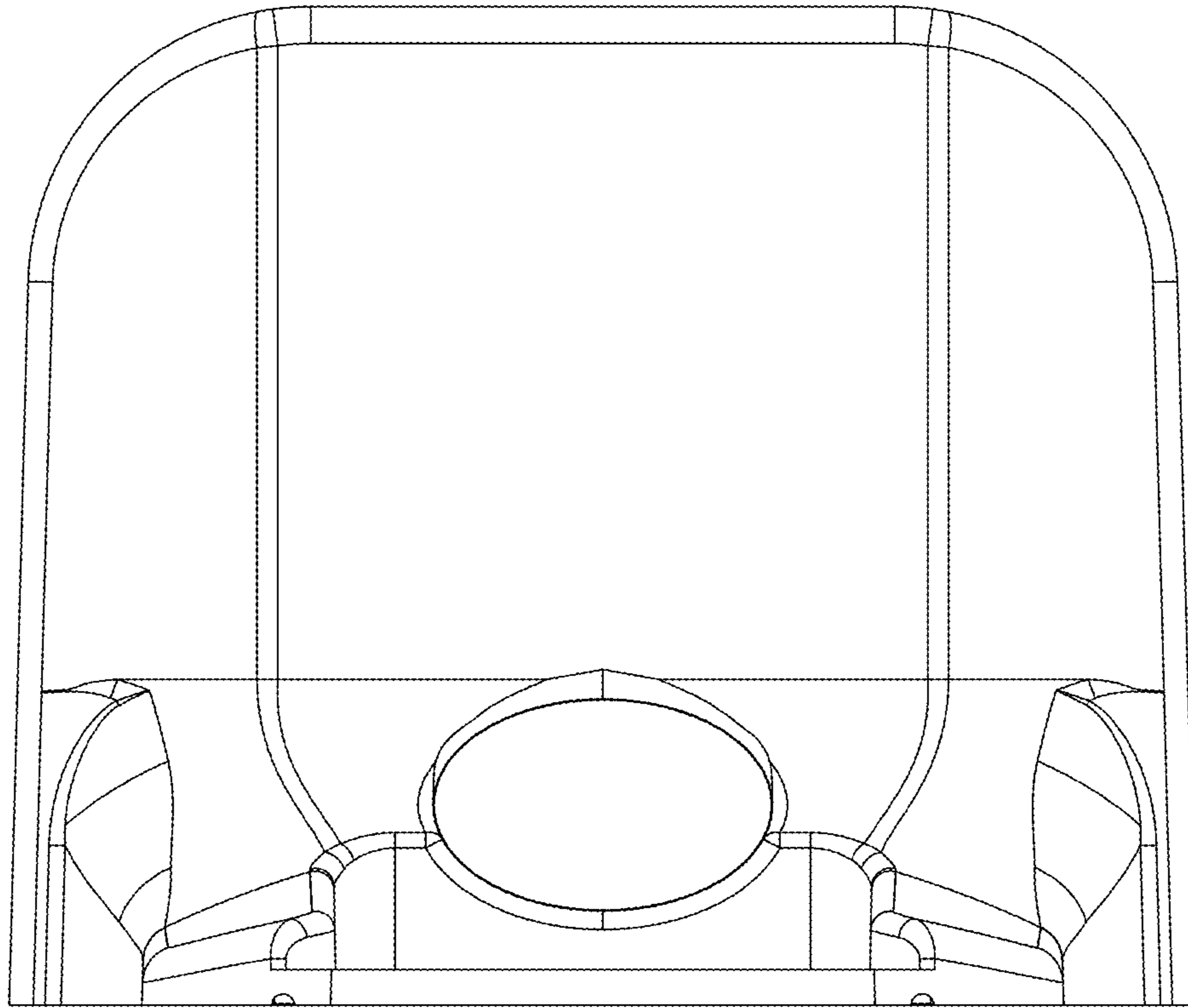


FIG. 8