



US00D922093S

(12) **United States Design Patent** (10) **Patent No.:** **US D922,093 S**  
**Sisto** (45) **Date of Patent:** **\*\* Jun. 15, 2021**

(54) **SHELF**  
(71) Applicant: **Salvatore Sisto**, Bradley Beach, NJ  
(US)  
(72) Inventor: **Salvatore Sisto**, Bradley Beach, NJ  
(US)  
(73) Assignee: **SALTO, LLC**  
(\*\*) Term: **15 Years**  
(21) Appl. No.: **29/673,143**  
(22) Filed: **Dec. 12, 2018**  
(51) **LOC (13) Cl.** ..... **06-04**  
(52) **U.S. Cl.**  
USPC ..... **D6/574**  
(58) **Field of Classification Search**  
USPC ..... D6/574, 320-324, 553, 675, 705;  
D7/698; D2/672; D26/72; 108/28-29,  
108/152; 211/13.1, 42, 86.01, 88.01,  
211/90.01, 90.03, 126.1, 134, 153;  
248/205.3, 235, 243, 247, 250  
CPC ..... A47B 43/00; A47B 43/04; A47B 47/0066;  
A47B 47/04; A47B 63/00; A47B 69/00;  
A47B 71/00  
See application file for complete search history.

(56) **References Cited**  
U.S. PATENT DOCUMENTS  
D351,845 S 10/1994 Johnson et al.  
D600,944 S \* 9/2009 McConnell ..... D6/675  
D764,834 S \* 8/2016 Citterio ..... D6/574  
D778,072 S 2/2017 Sandgrund  
D787,701 S \* 5/2017 Wilson ..... D24/227  
D802,344 S \* 11/2017 Bailey ..... D6/705  
D805,719 S \* 12/2017 Kelly ..... D99/33  
D838,511 S \* 1/2019 Kim ..... D6/574

D841,357 S \* 2/2019 Hu ..... D6/574  
D843,761 S \* 3/2019 Chang ..... D6/705  
D853,750 S \* 7/2019 Theisen ..... A47K 17/02  
D6/574  
(Continued)

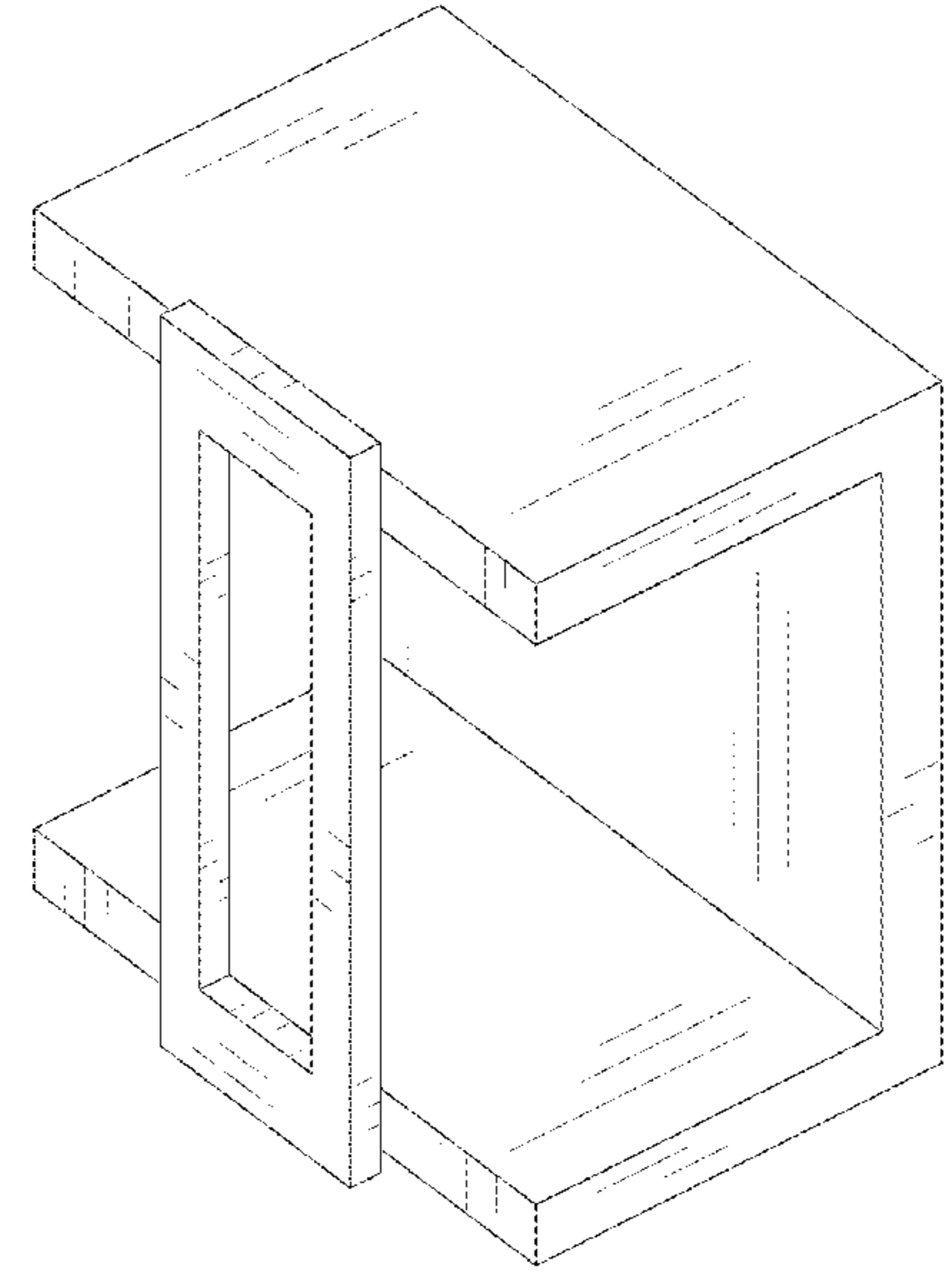
**OTHER PUBLICATIONS**  
Hayneedle, Finley Home Hudson C End Table, Published on Internet at: <https://www.hayneedle.com/product/finley-home-hudson-c-table.cfm>; 8 pages; Retrieved Dec. 5, 2018.  
(Continued)

*Primary Examiner* — Wan Laymon  
*Assistant Examiner* — Mark Booker  
(74) *Attorney, Agent, or Firm* — Belles Katz LLC

(57) **CLAIM**  
The ornamental design for a shelf, as shown and described.

**DESCRIPTION**  
FIG. 1 is a front perspective view of a shelf according to a first embodiment of the new design;  
FIG. 2 is a rear perspective view thereof;  
FIG. 3 is a front view thereof;  
FIG. 4 is a rear view thereof;  
FIG. 5 is a left side view thereof, the right side view being a mirror image of the left side view;  
FIG. 6 is a top view thereof;  
FIG. 7 is a bottom view thereof;  
FIG. 8 is a front perspective view of a shelf according to a second embodiment of the new design;  
FIG. 9 is a rear perspective view thereof;  
FIG. 10 is a front view thereof;  
FIG. 11 is a rear view thereof;  
FIG. 12 is a left side view thereof, the right side view being a mirror image of the left side view;  
FIG. 13 is a top view thereof; and,  
FIG. 14 is a bottom view thereof.  
The broken lines illustrate portions of the shelf that form no part of the claimed design.

**1 Claim, 14 Drawing Sheets**



(56)

**References Cited**

U.S. PATENT DOCUMENTS

D897,744 S \* 10/2020 Silver ..... D6/675

OTHER PUBLICATIONS

Etsy, Double Wall Mounted Shelf Bracket Set, Published on Internet at <https://www.etsy.com/listing/526313831/double-wall-mounted-shelf-bracket-set>; 5 pages; Retrieved Dec. 5, 2018.

Shape Natural Wood Side Table 3D CGTrader, Published on Internet at <http://www.frequencysite.com/c-shaped-side-table/picture/7bbd/c-shape-natural-wood-side-table-3d-cgtrader/>; 4 pages; Retrieved Dec. 5, 2018.

Pinterest, C-shaped shelf, cat wall perch by Huve Collection, Published on <https://www.pinterest.com/pin/180495897545144692/?lp=true>; 3 pages; Retrieved Dec. 5, 2018.

Amazon, C-Shaped Bar Table—Glass Top, Black Laquer4 Base by Diamond Sofa, Published on Internet at <https://www.amazon.com/c-shaped-bar-table-lacquer-diamond/dp/b00bgmvjhe>; 4 pages; Retrieved Dec. 5, 2018.

Winglts, Forza—Floating “C” Shelf, Technical Data Sheet; 2 pages, dated Mar. 2, 2017.

\* cited by examiner

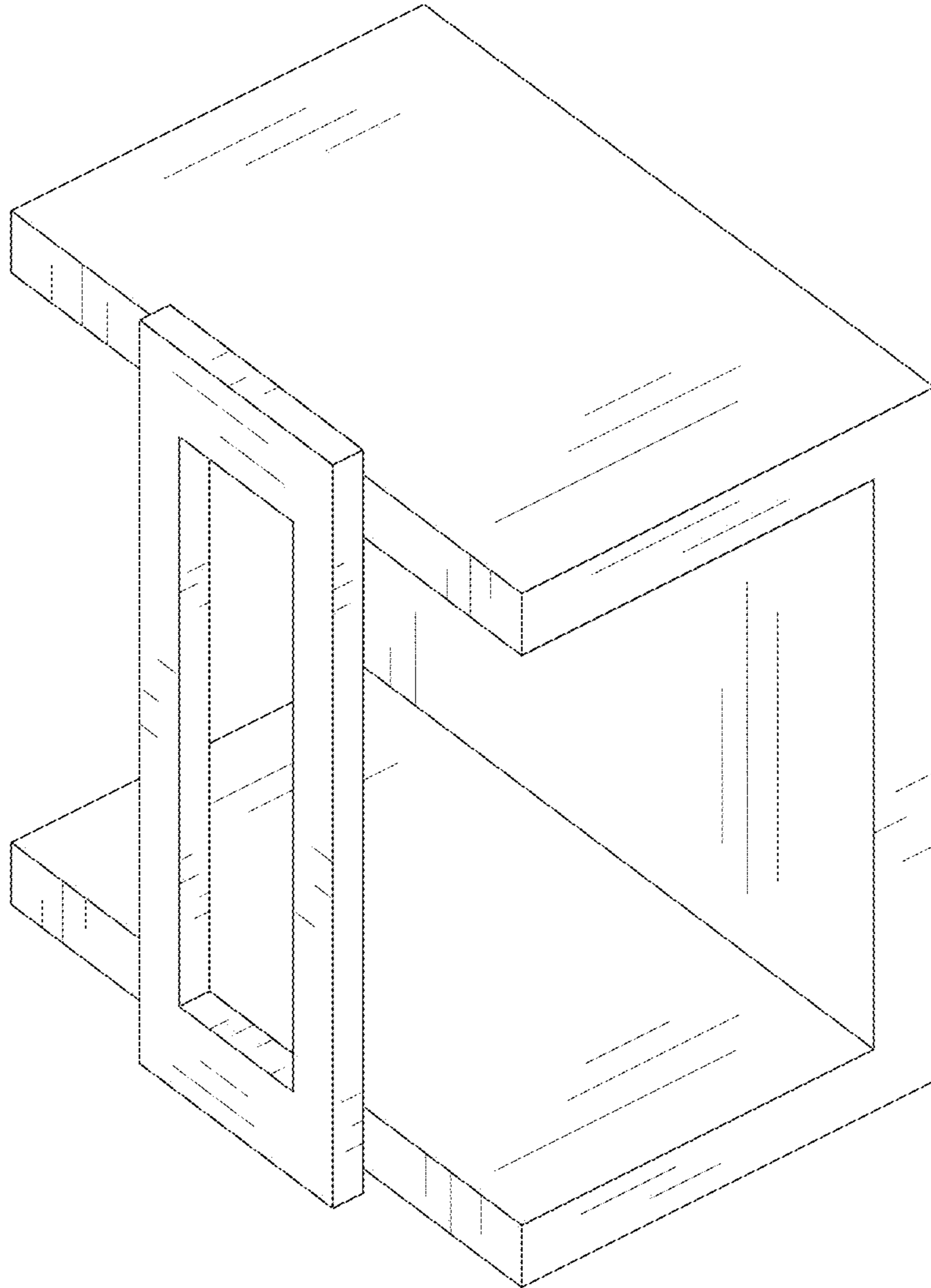


FIG. 1

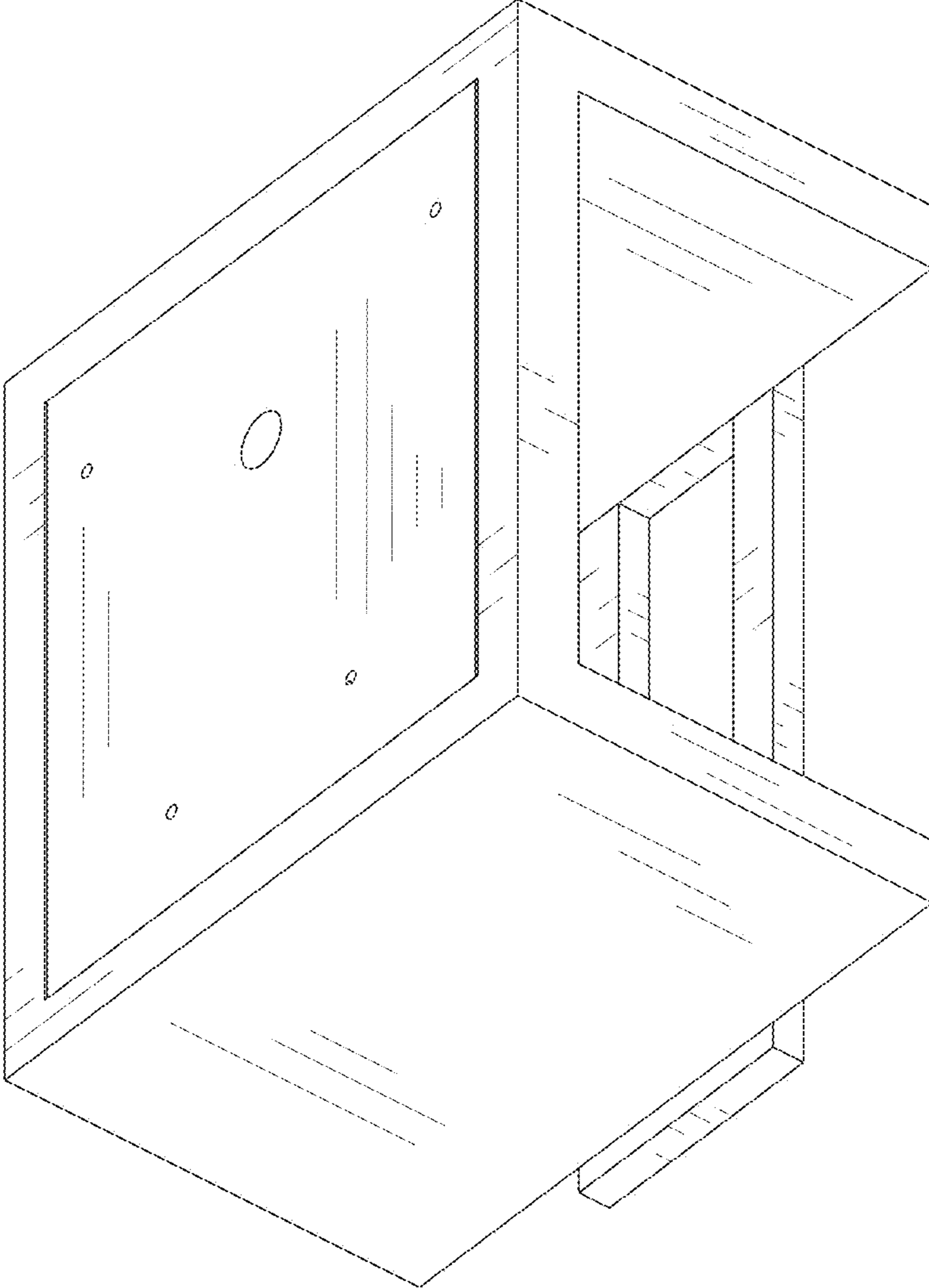


FIG. 2

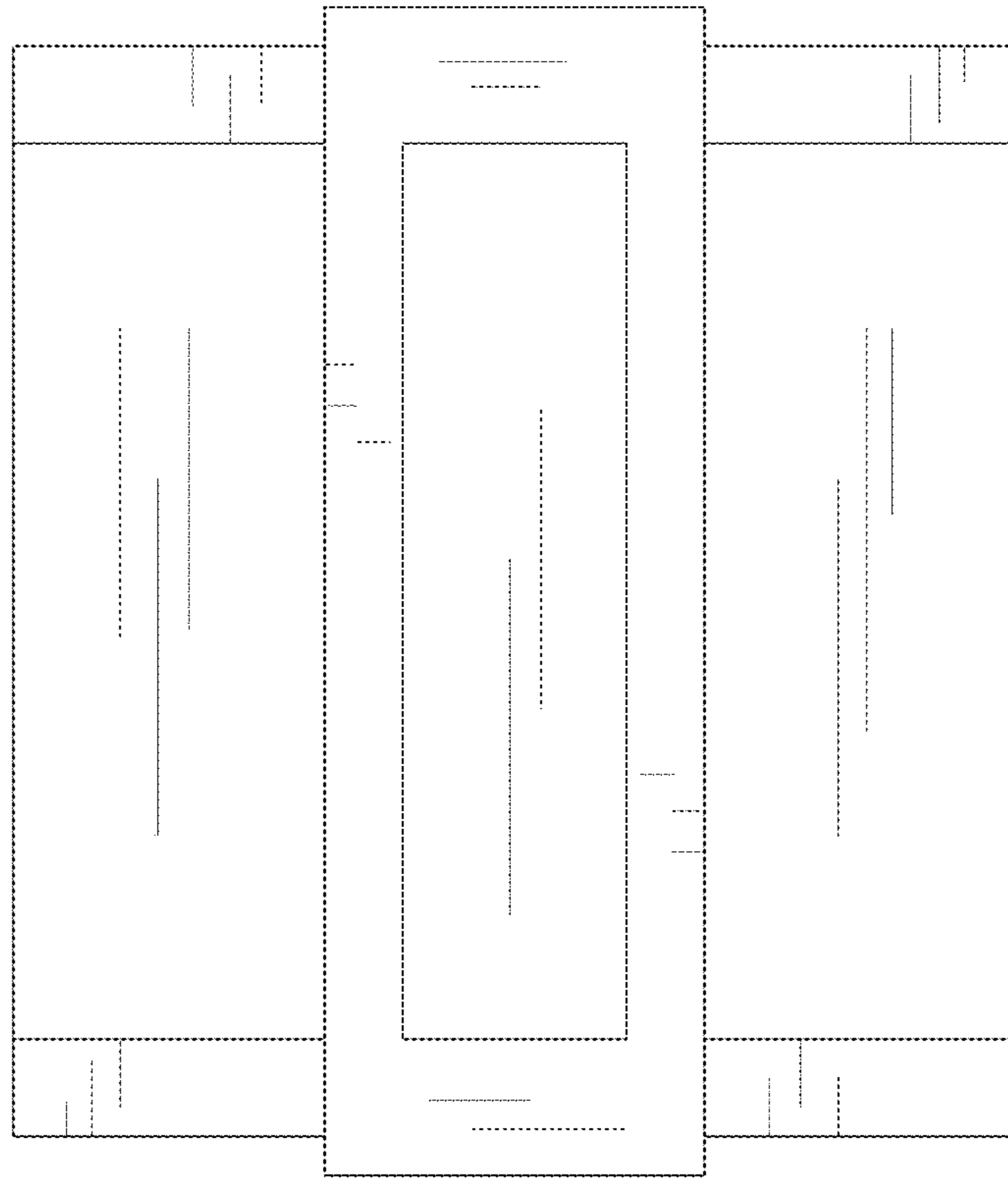


FIG. 3

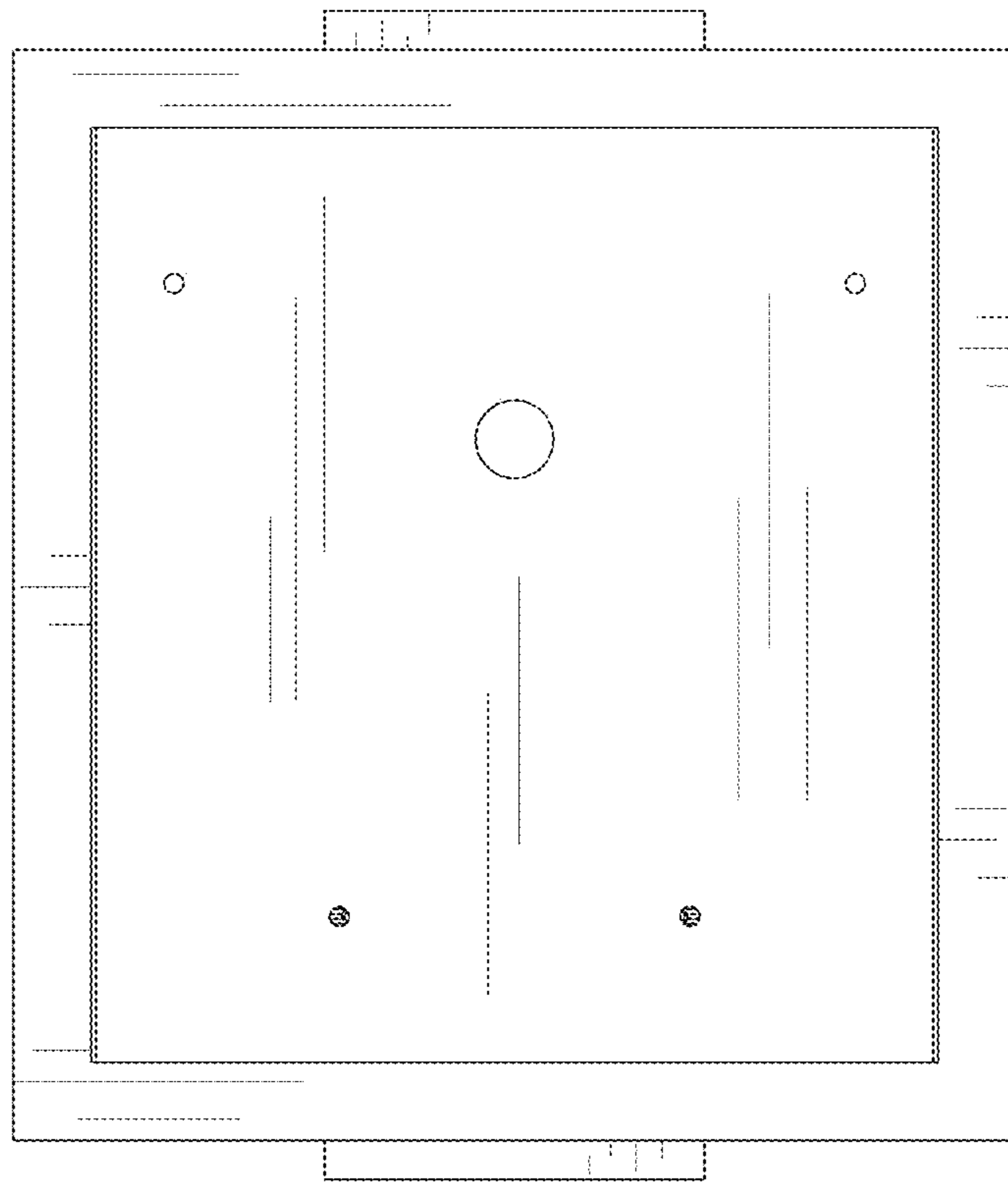


FIG. 4

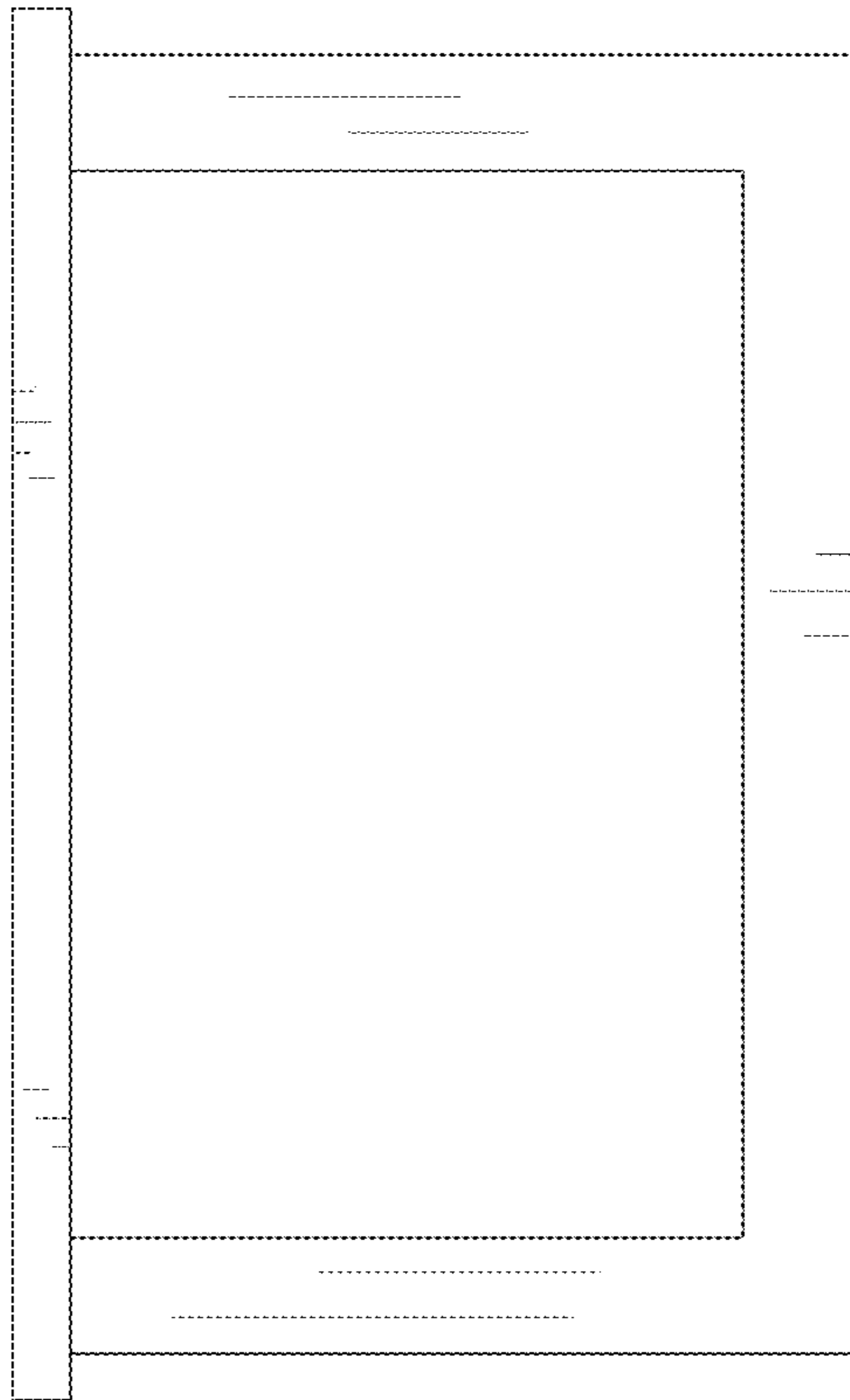


FIG. 5

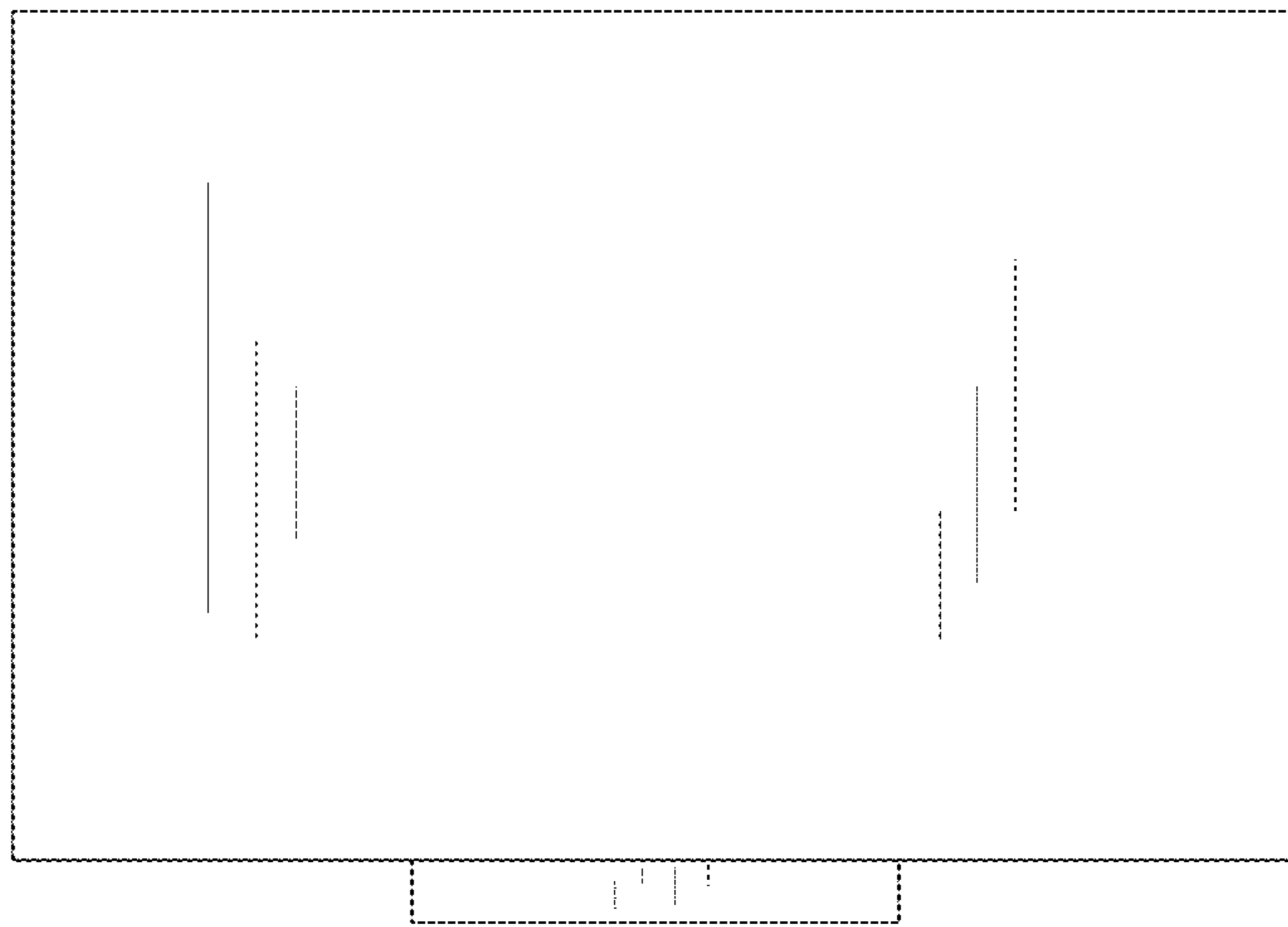


FIG. 6



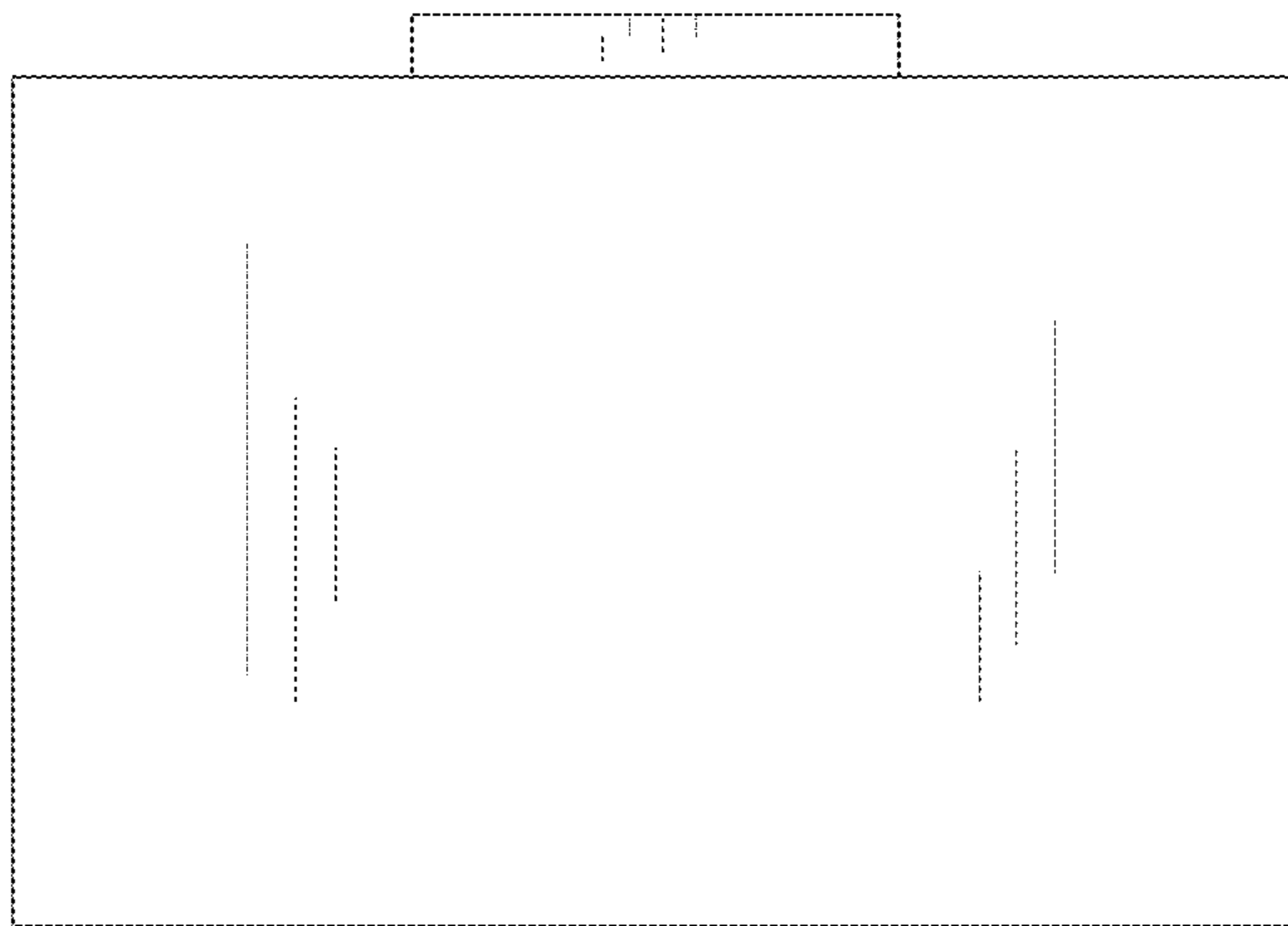


FIG. 7

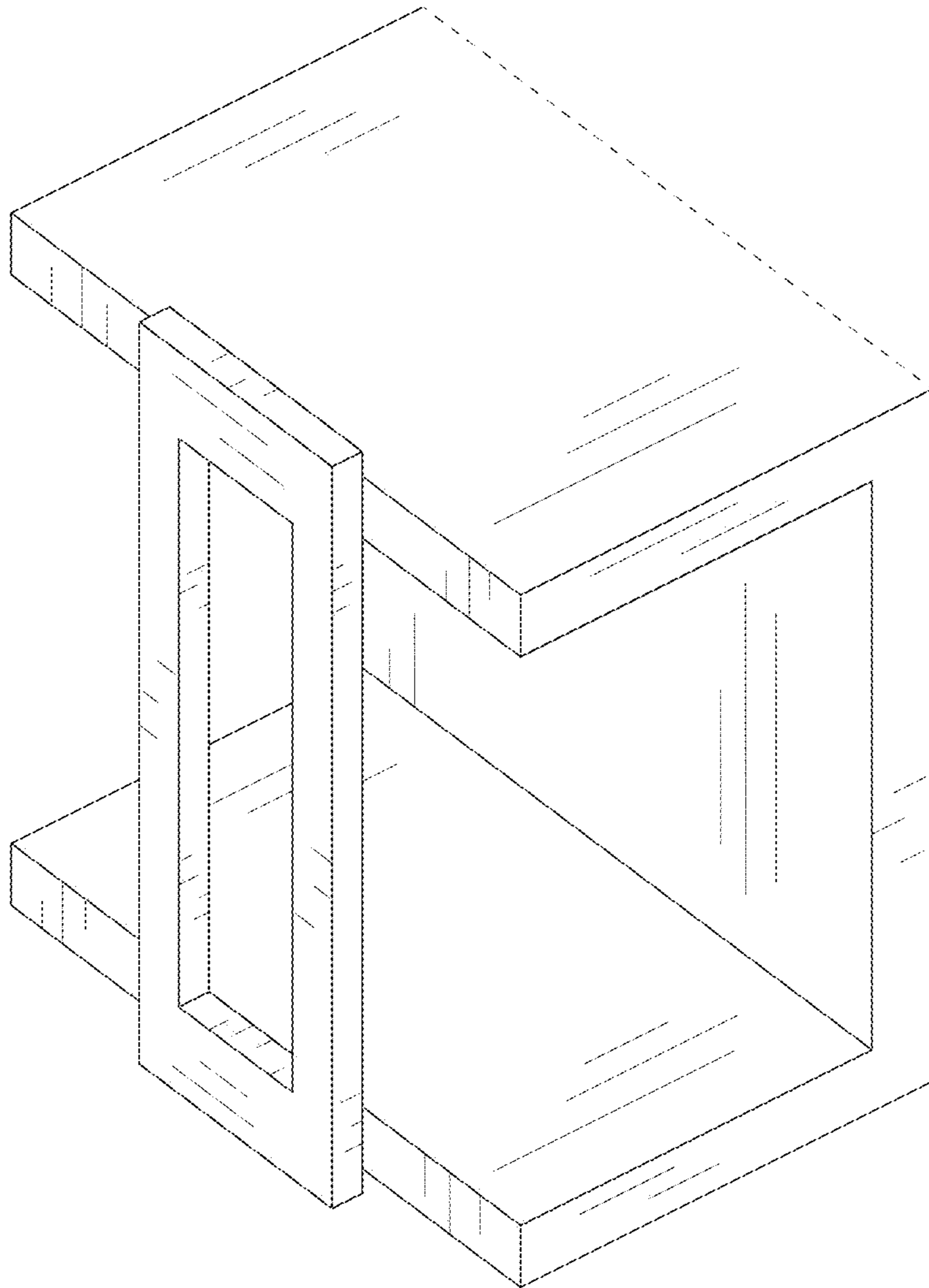


FIG. 8

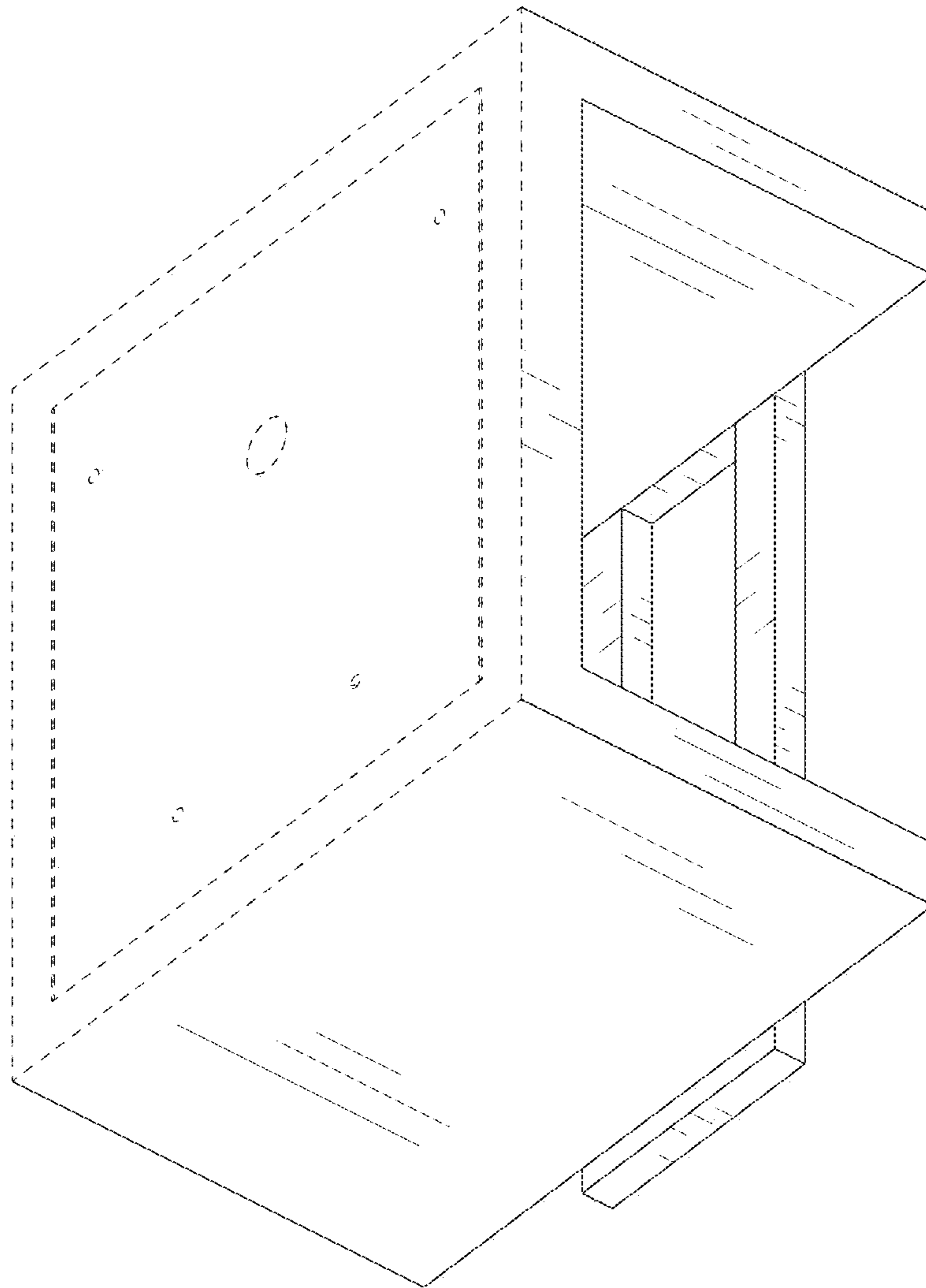


FIG. 9

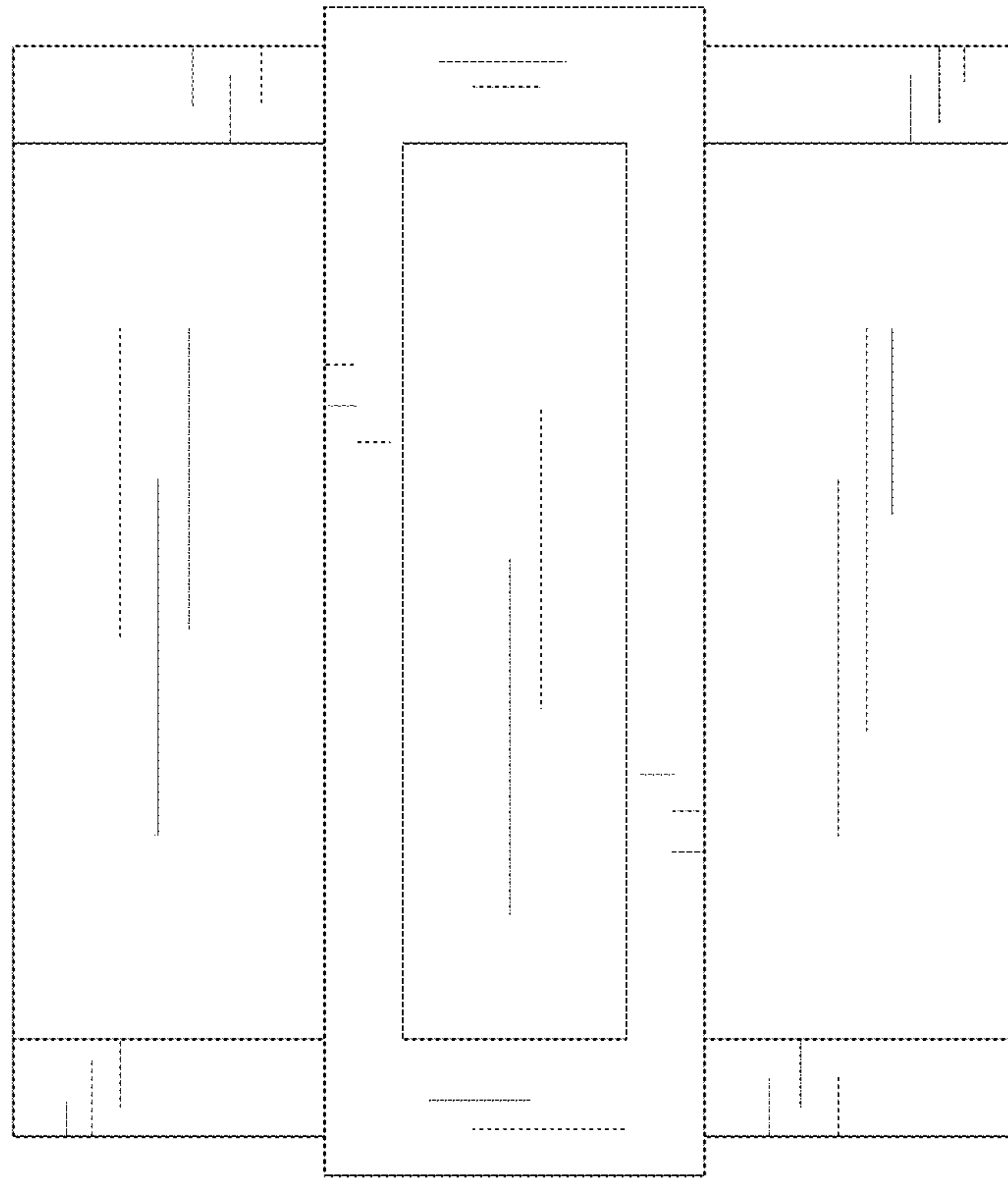


FIG. 10

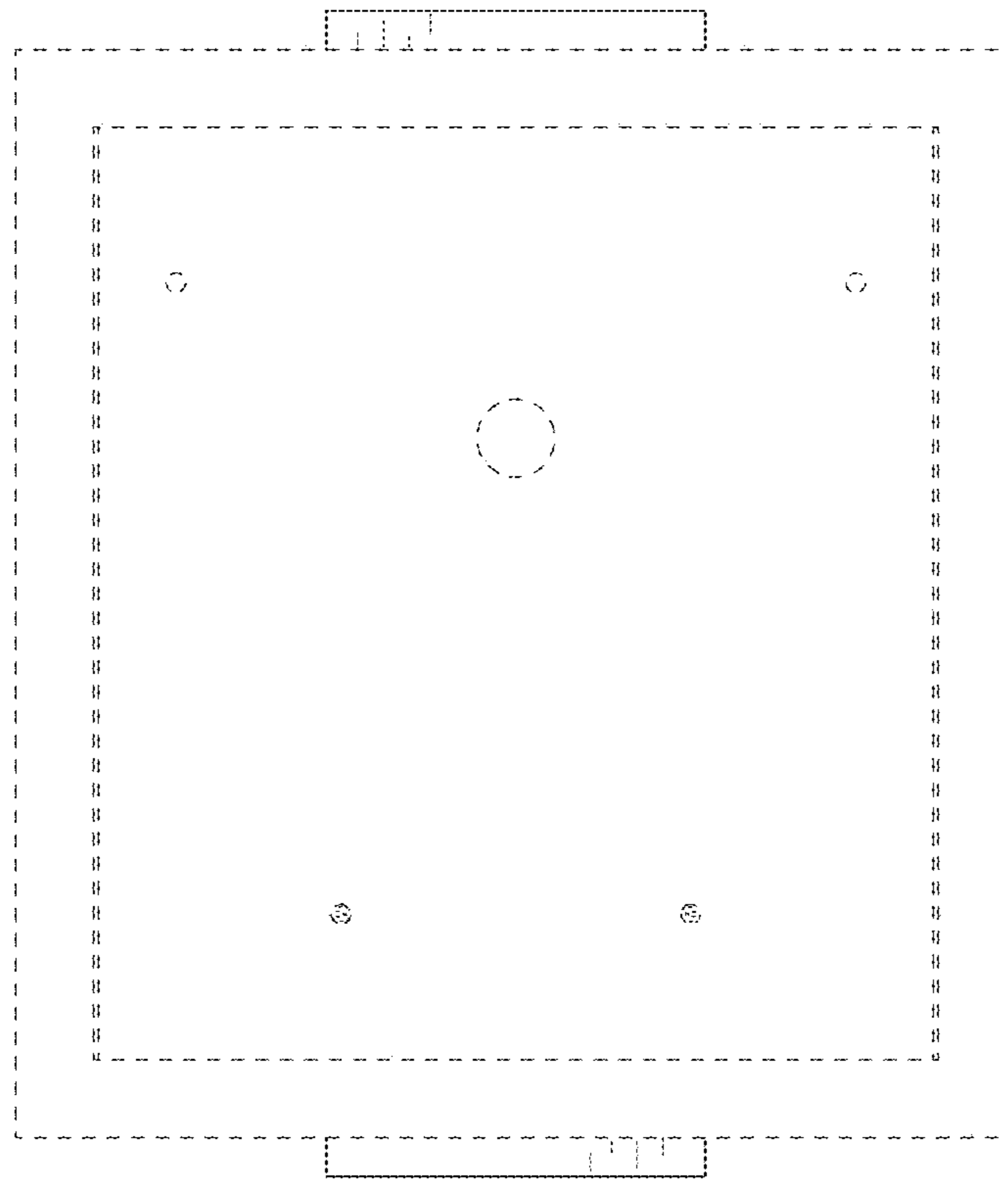


FIG. 11

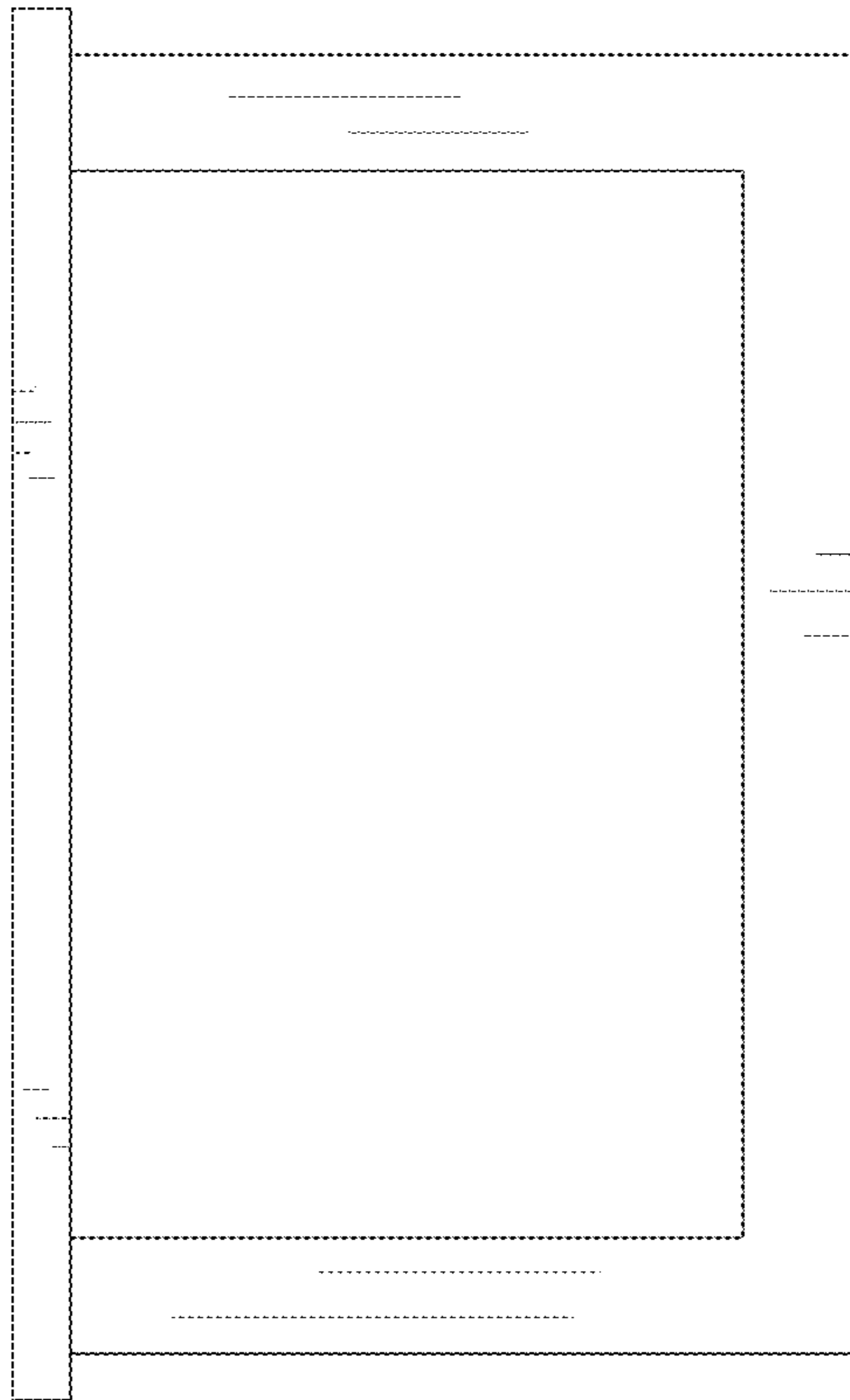


FIG. 12

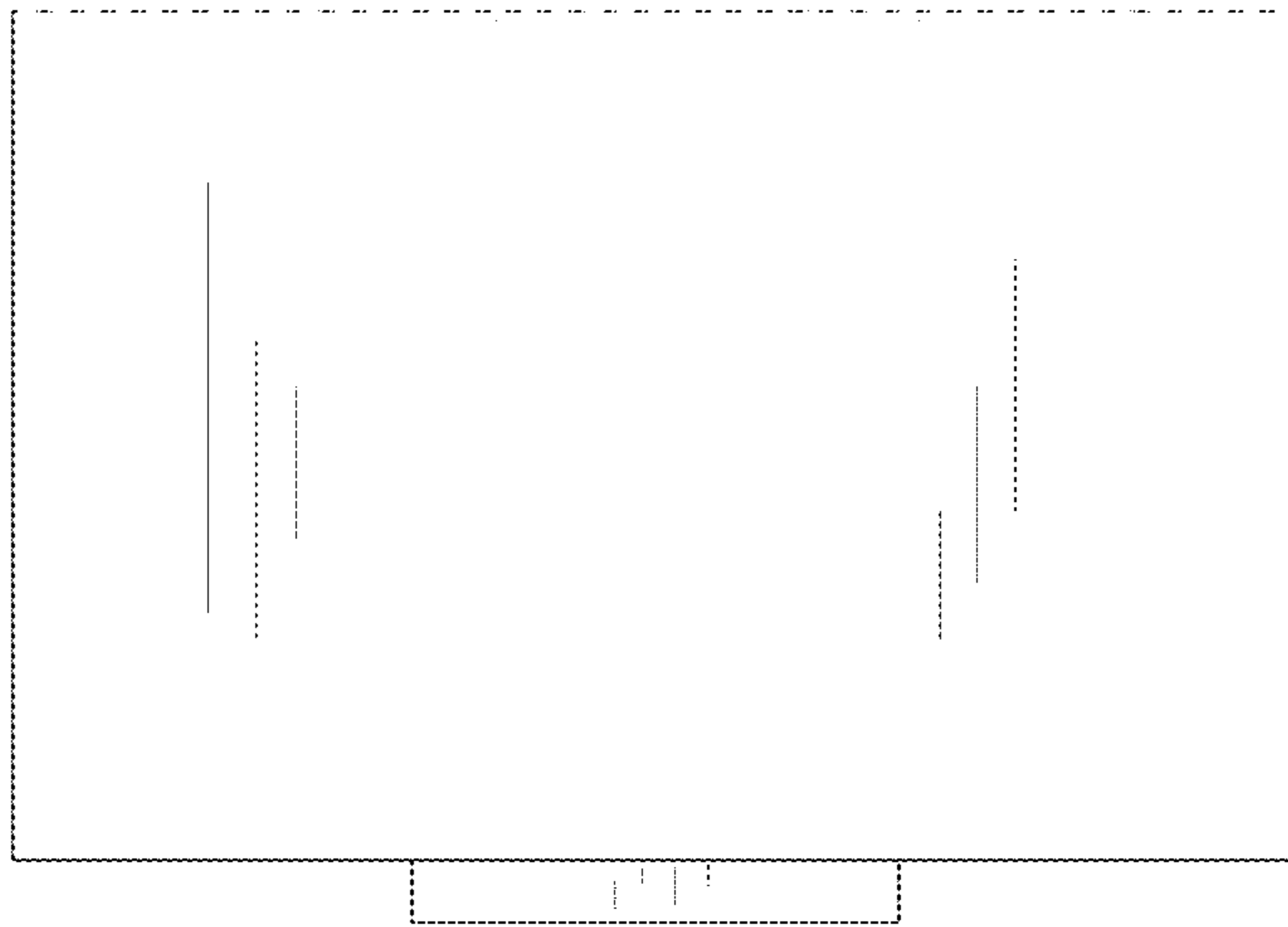


FIG. 13

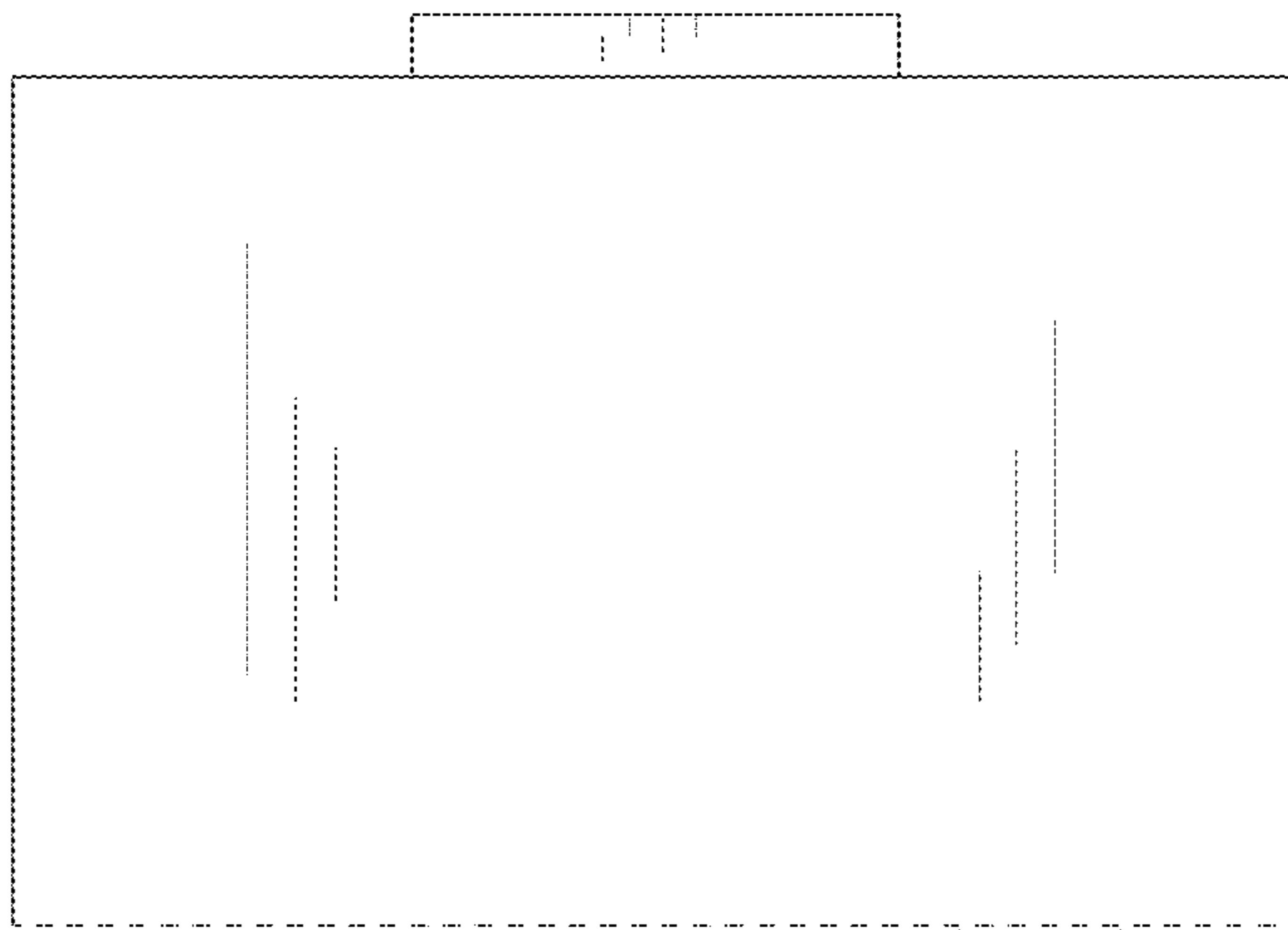


FIG. 14