



US00D922091S

(12) **United States Design Patent**
Yang

(10) **Patent No.:** **US D922,091 S**
(45) **Date of Patent:** **** Jun. 15, 2021**

(54) **FOLDING RIFLE AND PISTOL RACK**

(71) Applicant: **Zijiang Yang**, Fontana, CA (US)

(72) Inventor: **Zijiang Yang**, Fontana, CA (US)

(**) Term: **15 Years**

(21) Appl. No.: **29/715,610**

(22) Filed: **Dec. 3, 2019**

(51) **LOC (13) Cl.** **08-08**

(52) **U.S. Cl.**
USPC **D6/552**

(58) **Field of Classification Search**
USPC D6/552, 553, 567; D22/109; 89/37.04;
211/13.1, 60.1, 64; 248/206.5, 309.4,
248/467, 537, 683
CPC F41A 23/18; B60R 7/14
See application file for complete search history.

(56) **References Cited**

U.S. PATENT DOCUMENTS

D292,457 S *	10/1987	Hunter	6/682.2
5,477,968 A *	12/1995	Largent	B63B 32/80 211/60.1
D365,717 S *	1/1996	Cardenas	12/406
5,495,969 A *	3/1996	Cardenas	B60R 7/14 224/275
5,626,379 A *	5/1997	Scott	A47B 81/005 211/195
D424,141 S *	5/2000	Eckmann	21/686
D464,508 S *	10/2002	Wilfer	D6/552
D473,991 S *	4/2003	Moon	D34/14
D604,977 S *	12/2009	Conville	D6/552
D622,086 S *	8/2010	Leung	D6/552
D630,875 S *	1/2011	Leung	D6/552
D677,504 S *	3/2013	Childs	D6/552
D802,330 S *	11/2017	Michalak	D6/552

OTHER PUBLICATIONS

Savior equipment website, Mobile Firearm rack, Aug. 6, 2020, <https://www.saviorequipment.com/collections/firearm-storage/products/mobile-firearm-rack> (Year: 2020).*

* cited by examiner

Primary Examiner — Nathan M Johnston

(57) **CLAIM**

I claim the ornamental design for a folding rifle and pistol rack, as shown and described.

DESCRIPTION

FIG. 1 is an isometric view of a folding rifle and pistol rack in an open configuration showing my new design.

FIG. 2 is a front elevation view thereof.

FIG. 3 is a rear elevation view thereof.

FIG. 4 is a right side elevation view thereof.

FIG. 5 is a left side elevation view thereof.

FIG. 6 is a top plan view thereof.

FIG. 7 is a bottom plan view thereof.

FIG. 8 is an isometric view thereof in a closed configuration.

FIG. 9 is a front elevation view thereof.

FIG. 10 is a rear elevation view thereof.

FIG. 11 is a right side elevation view thereof.

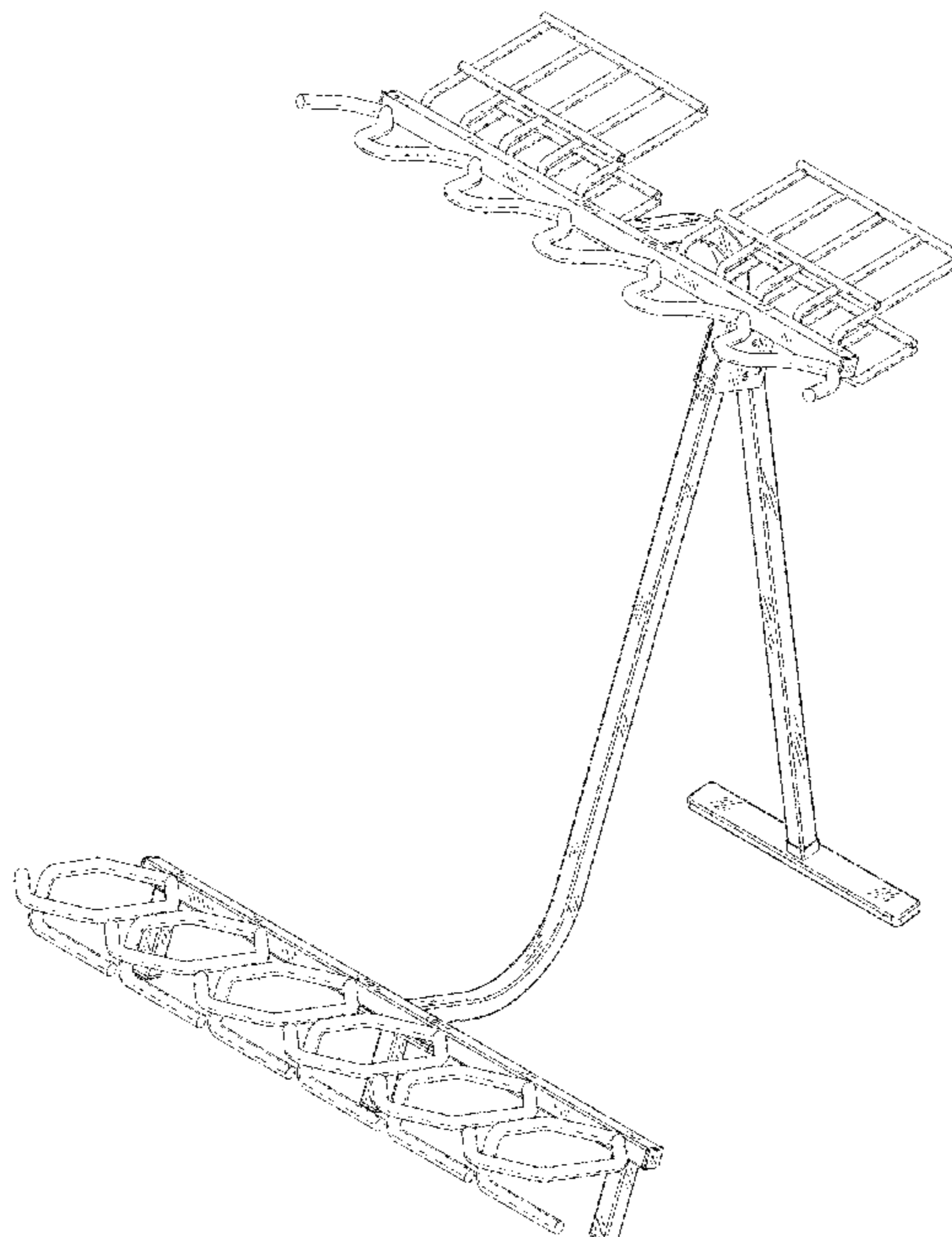
FIG. 12 is a left side elevation view thereof.

FIG. 13 is a top plan view thereof; and,

FIG. 14 is a bottom plan view thereof.

The claimed folding rifle and pistol rack can be placed on the floor and used to store rifles and pistols in an upright position.

1 Claim, 13 Drawing Sheets



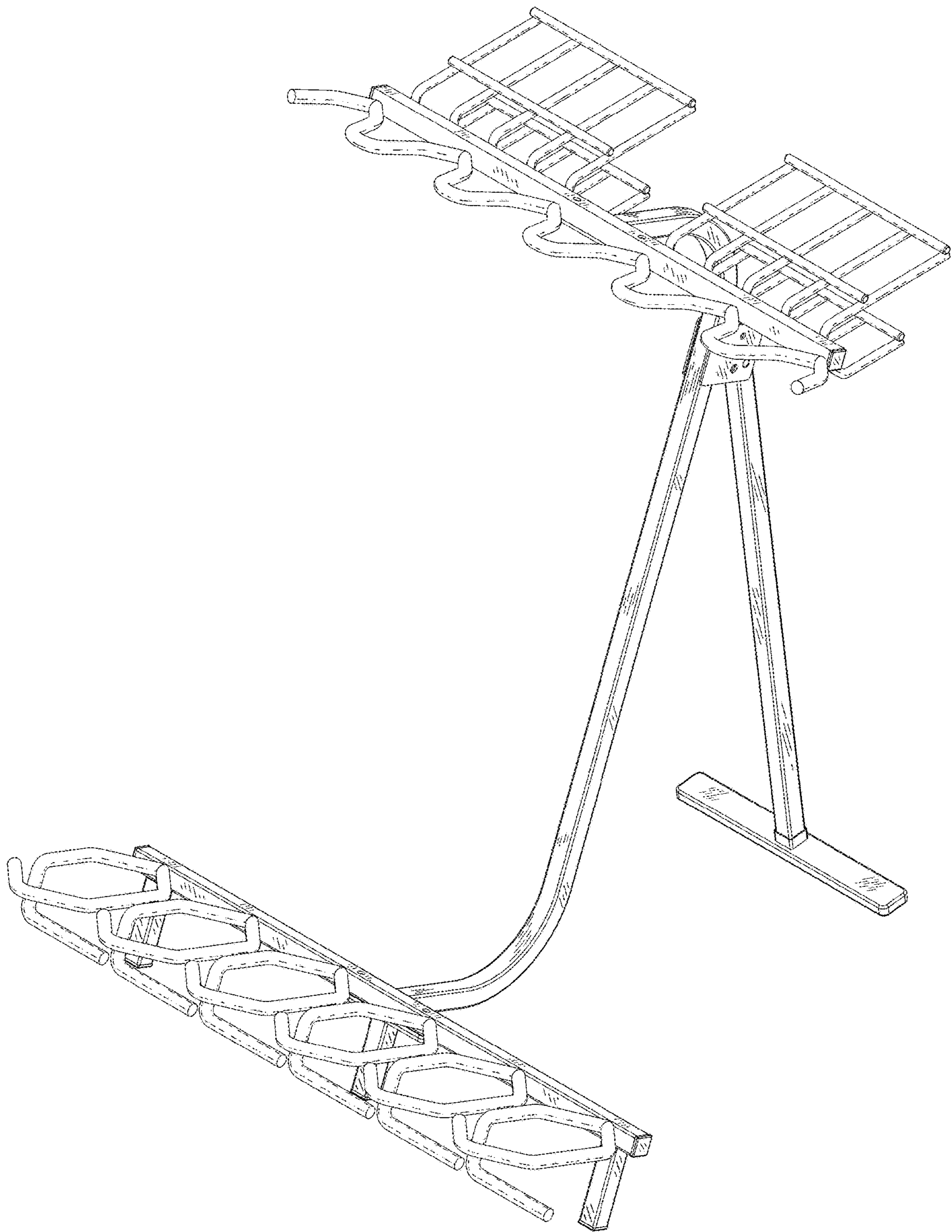


Fig. 1

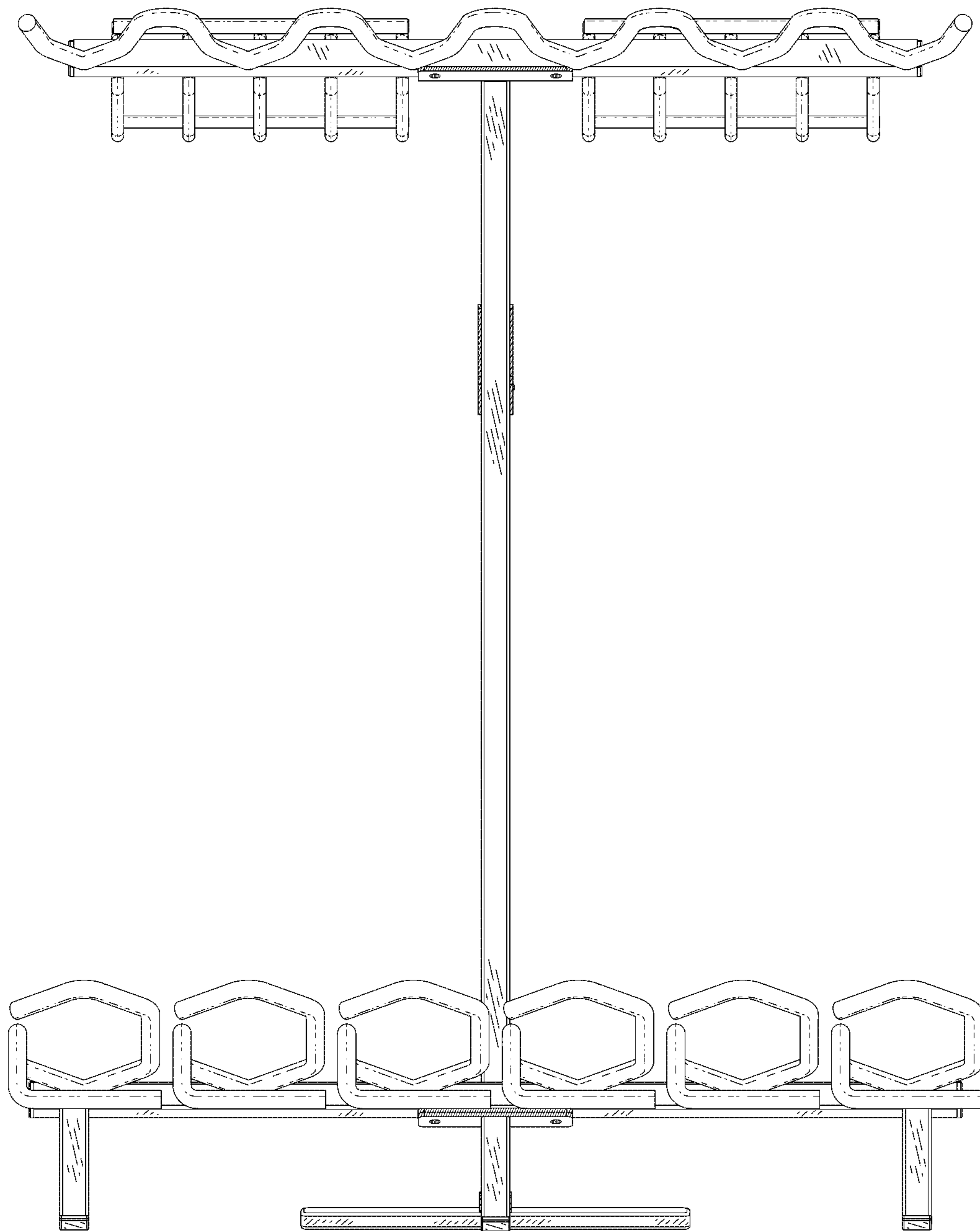


Fig. 2

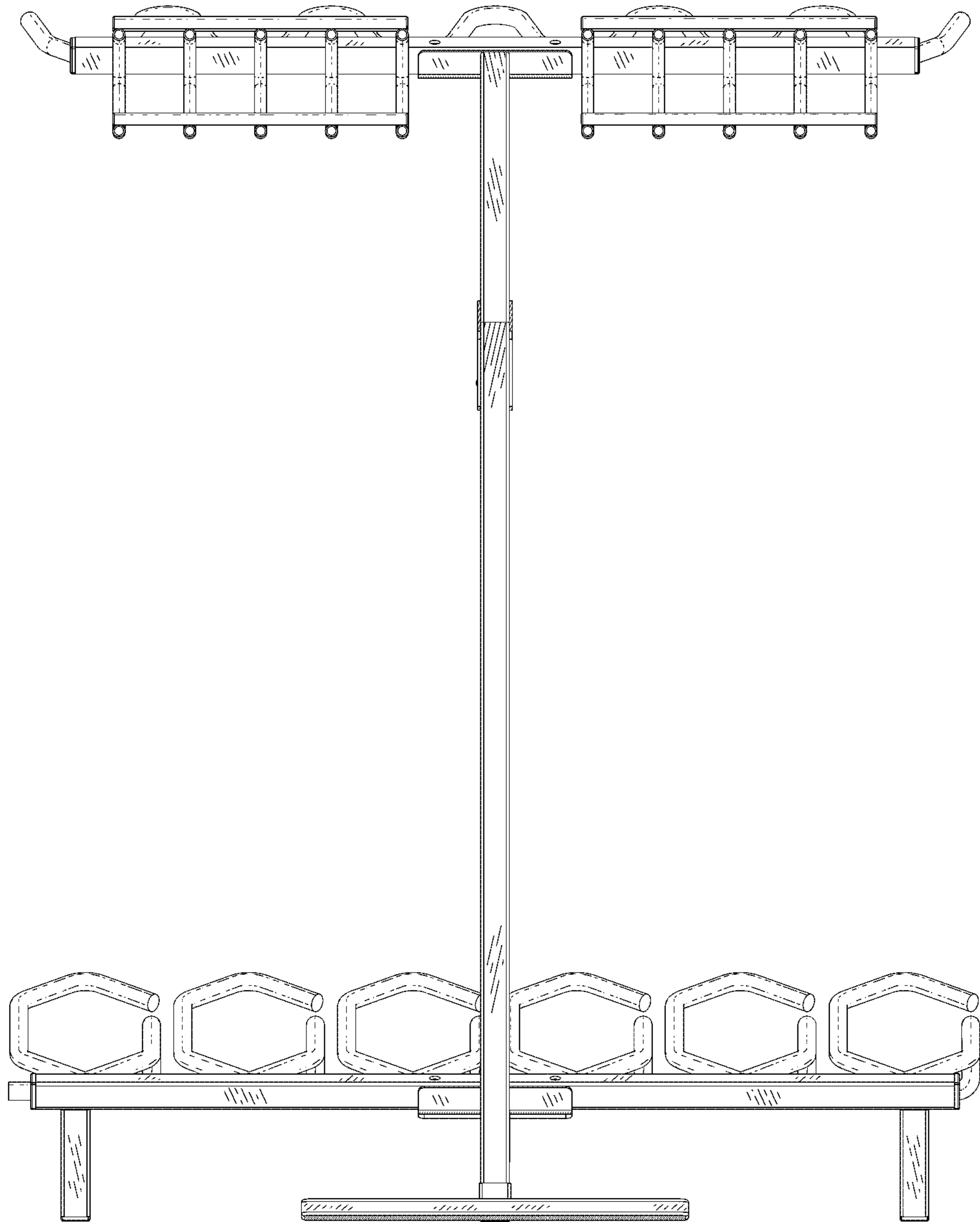


Fig. 3

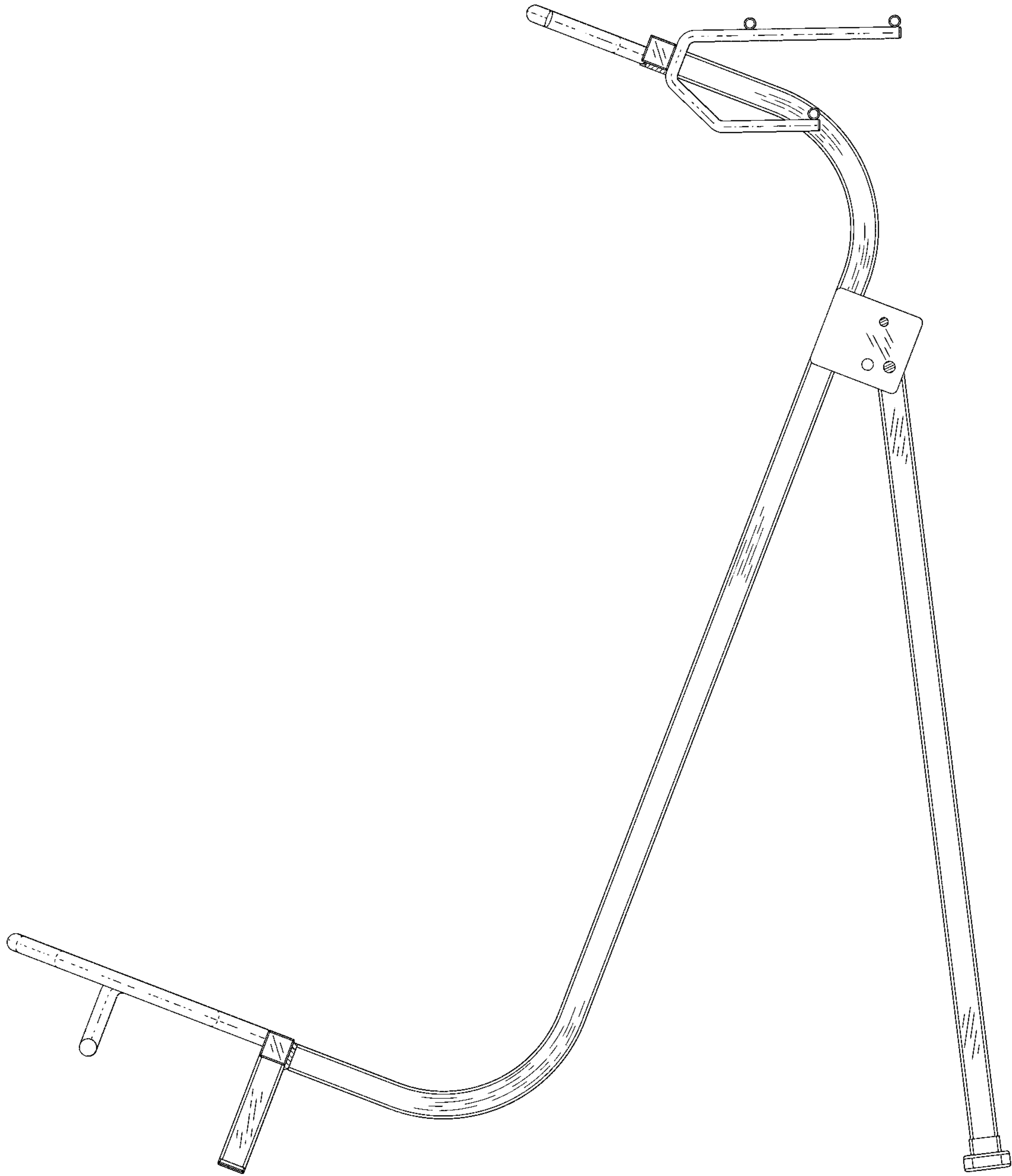


Fig. 4

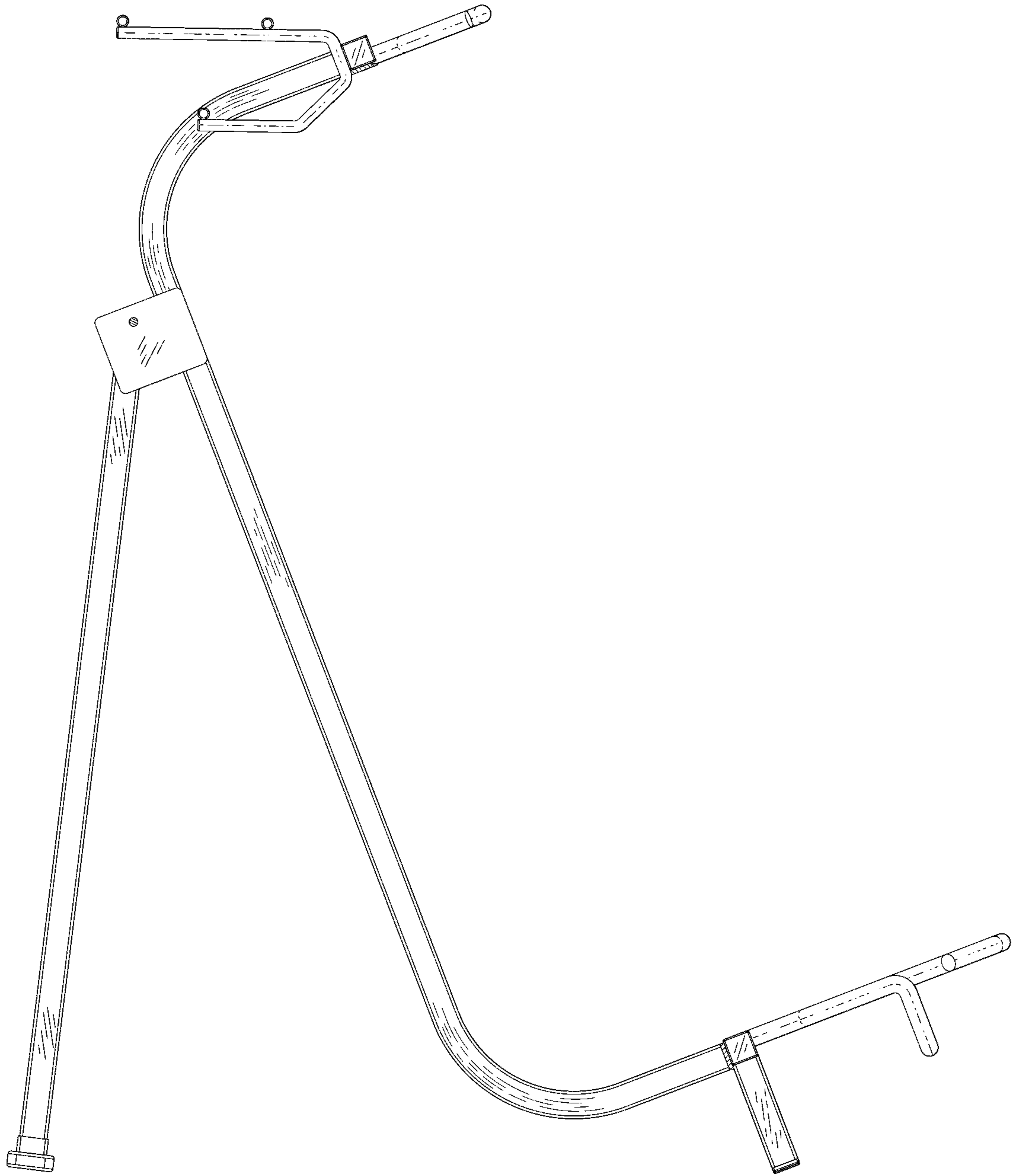


Fig. 5

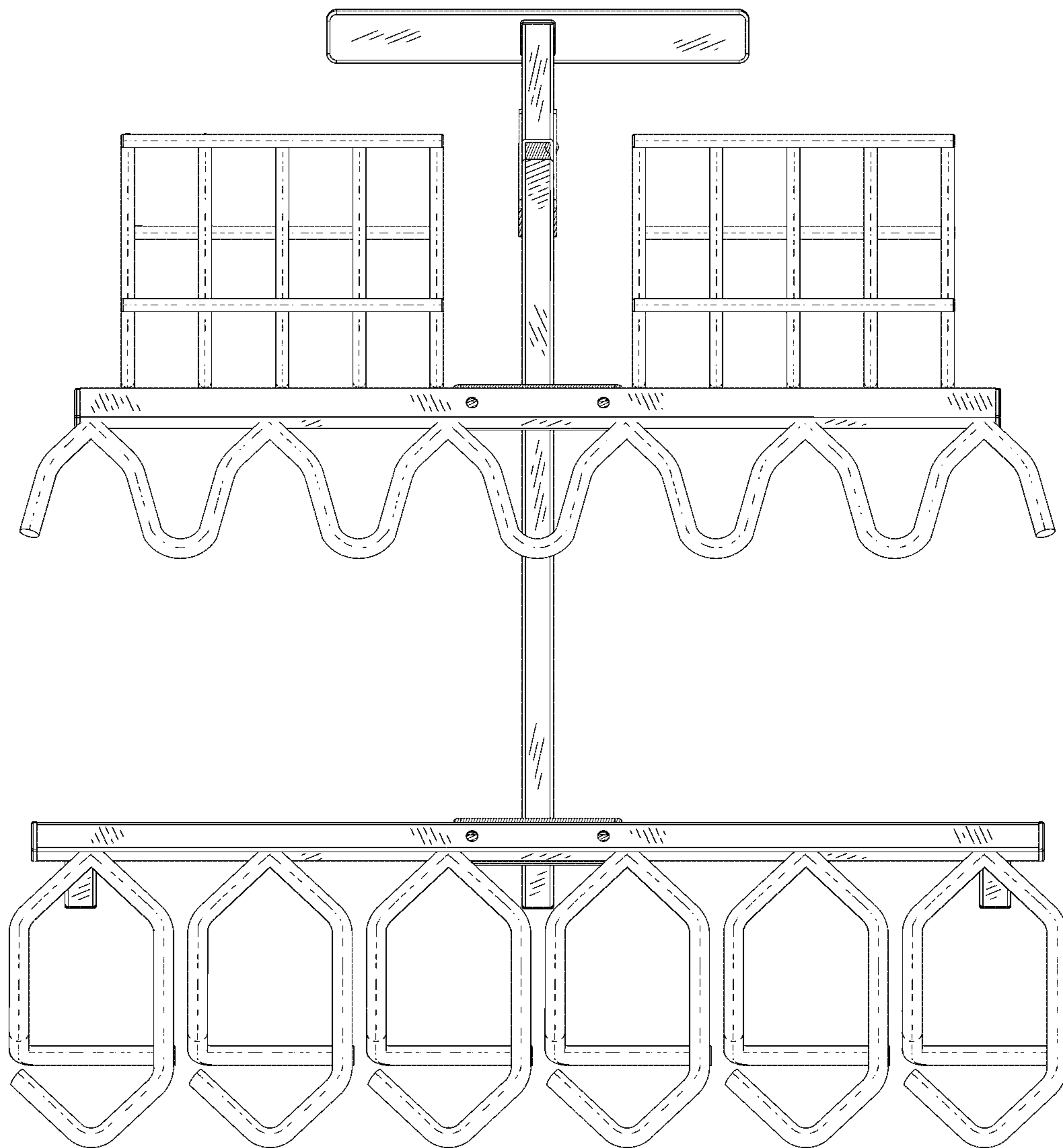


Fig. 6

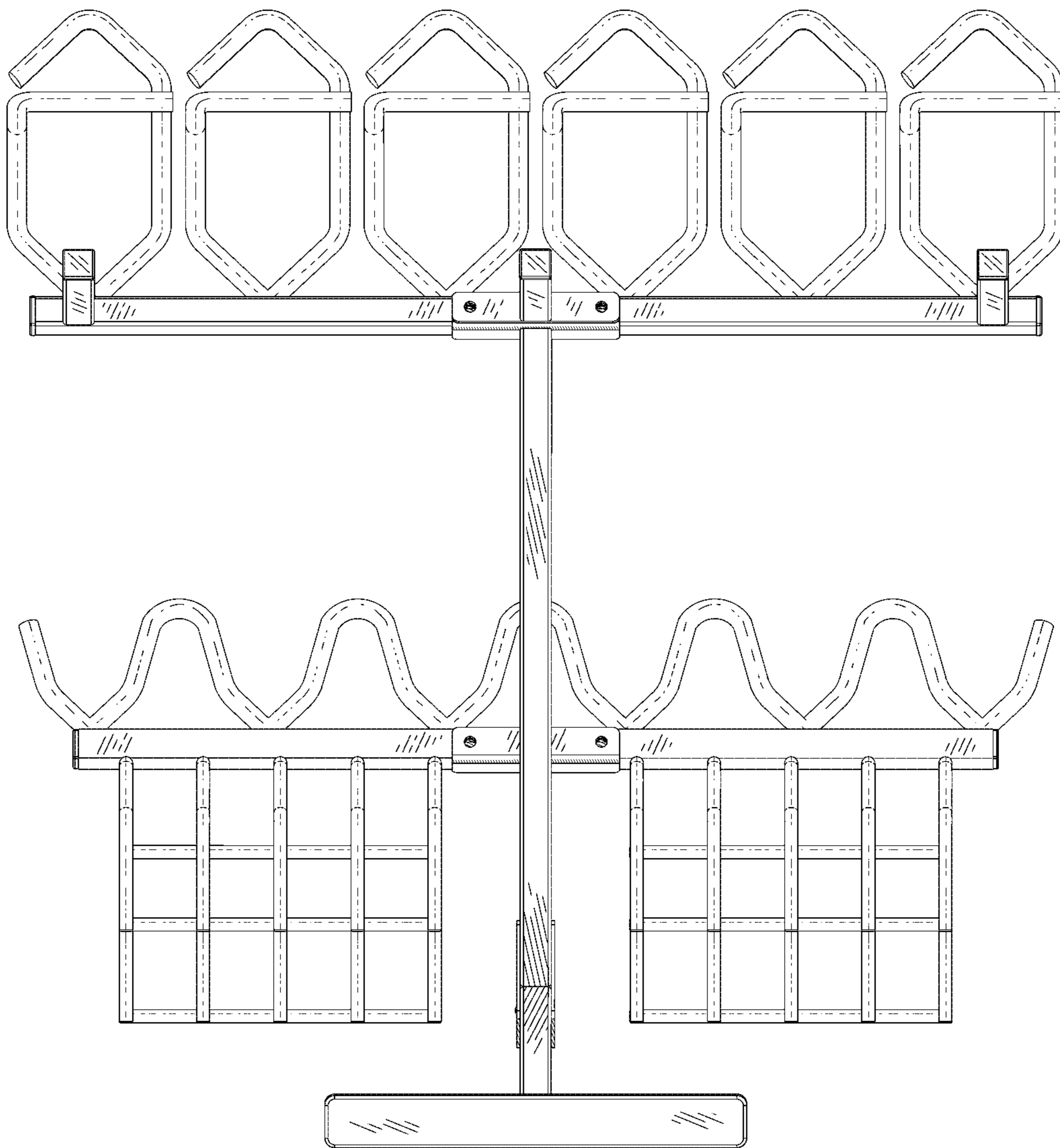


Fig. 7

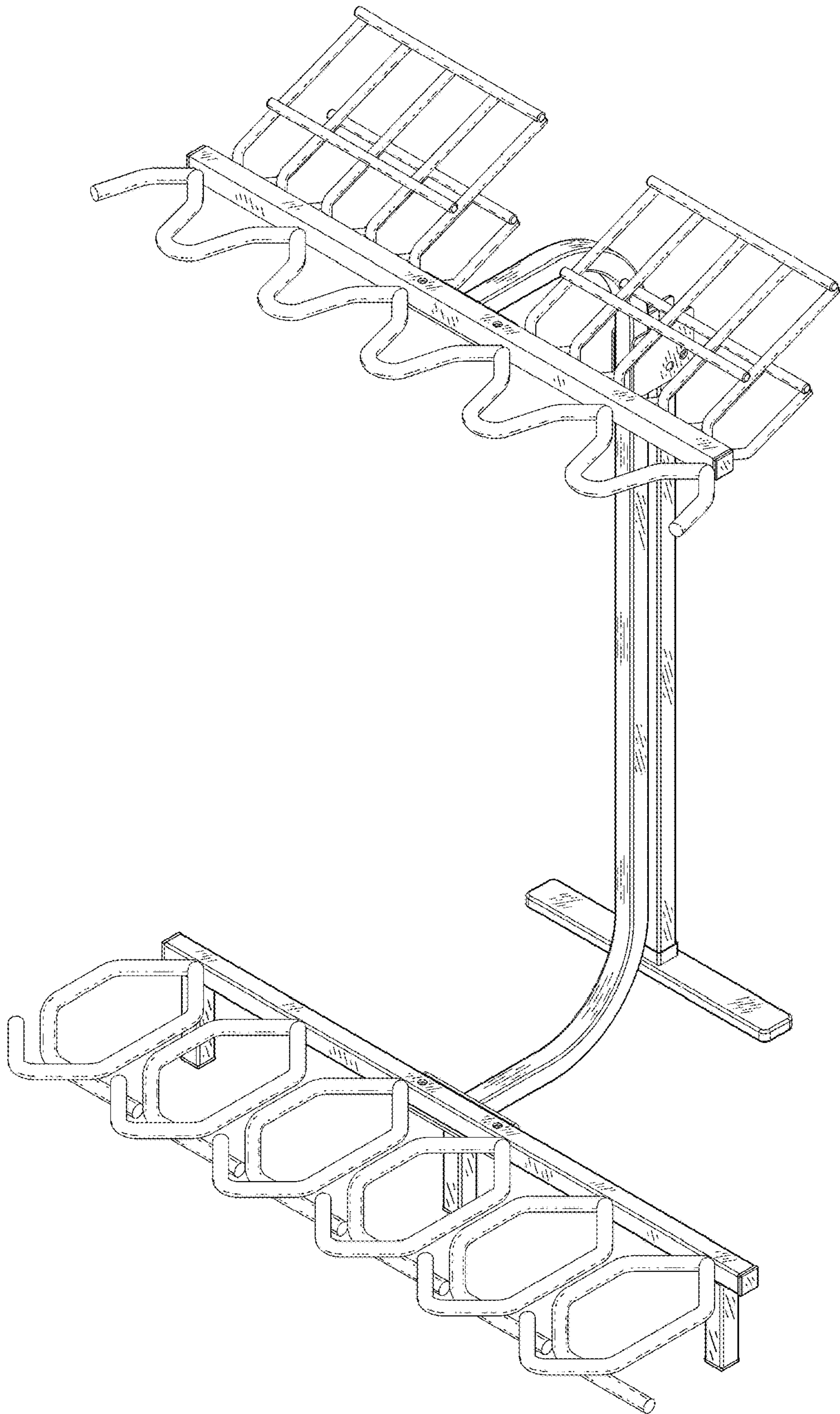


Fig. 8



Fig. 9

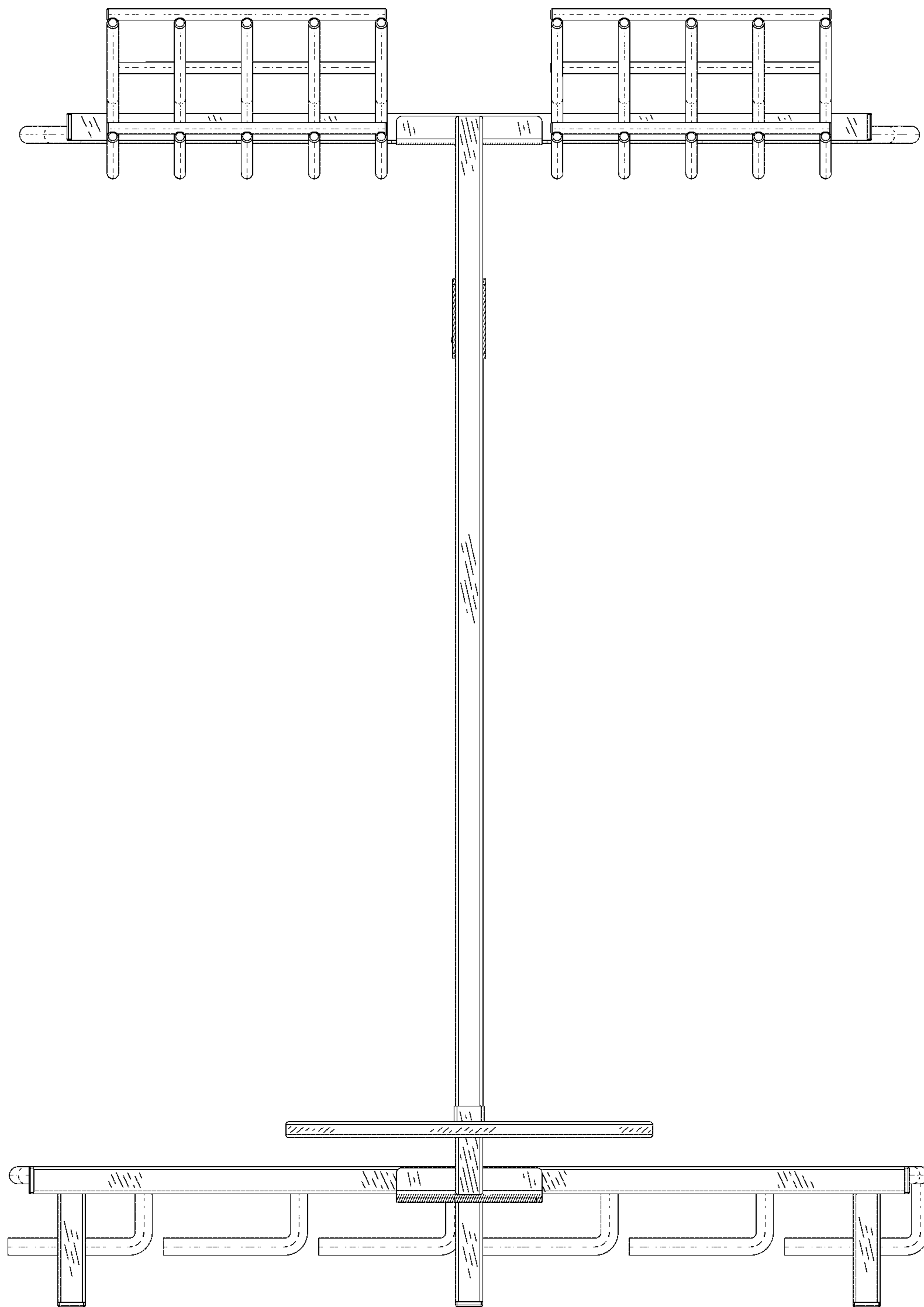


Fig. 10

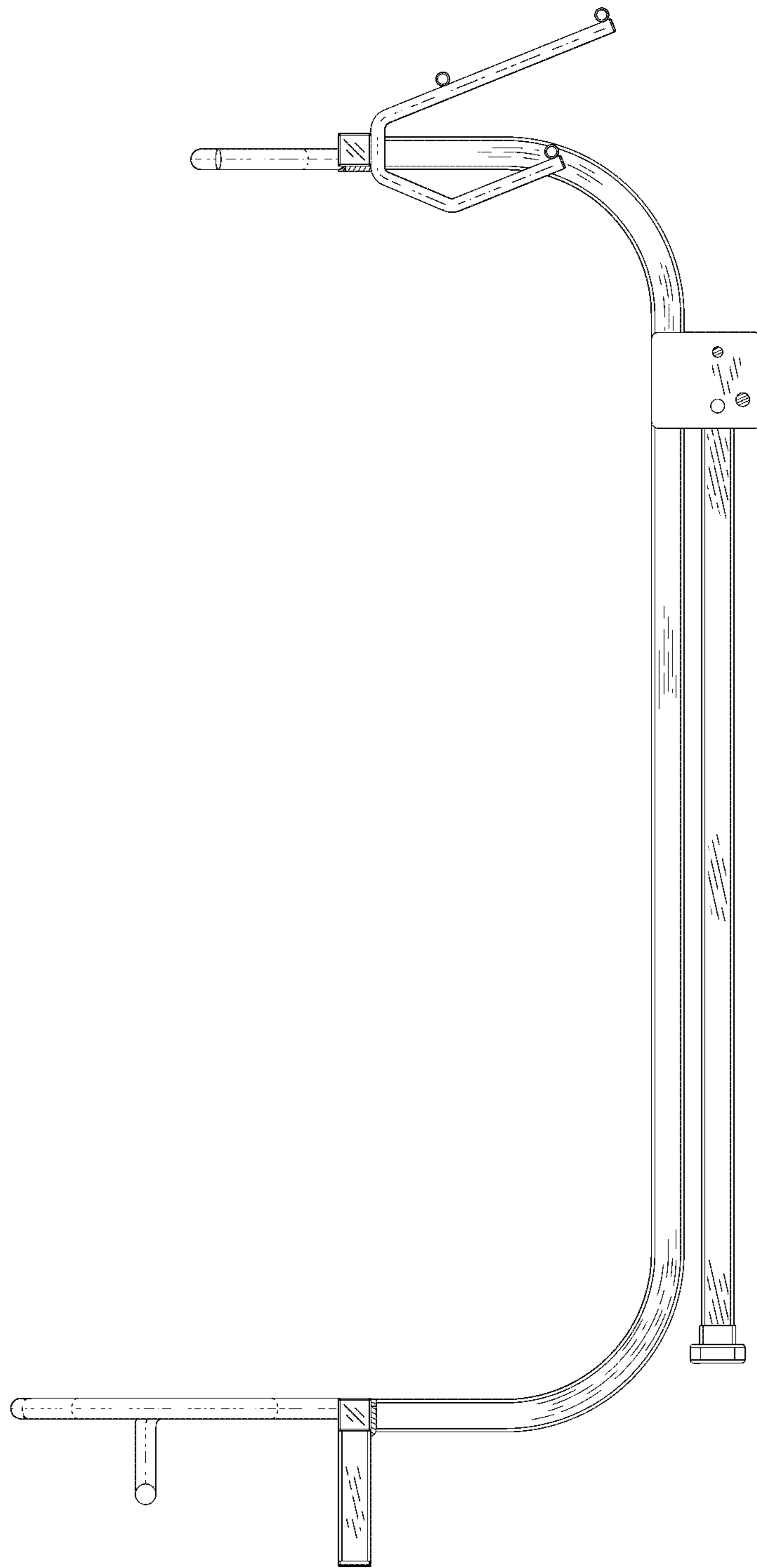


Fig. 11

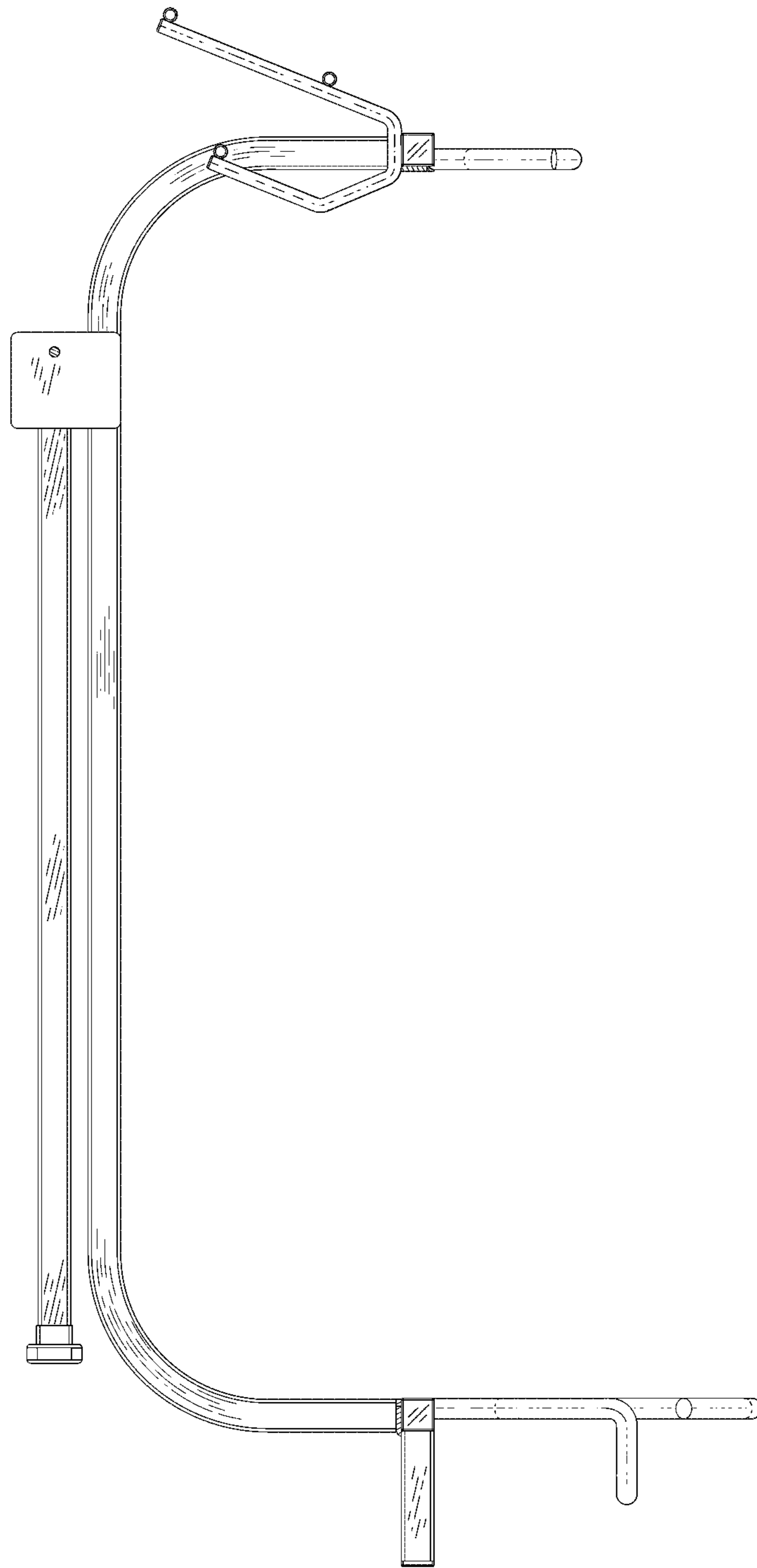


Fig. 12

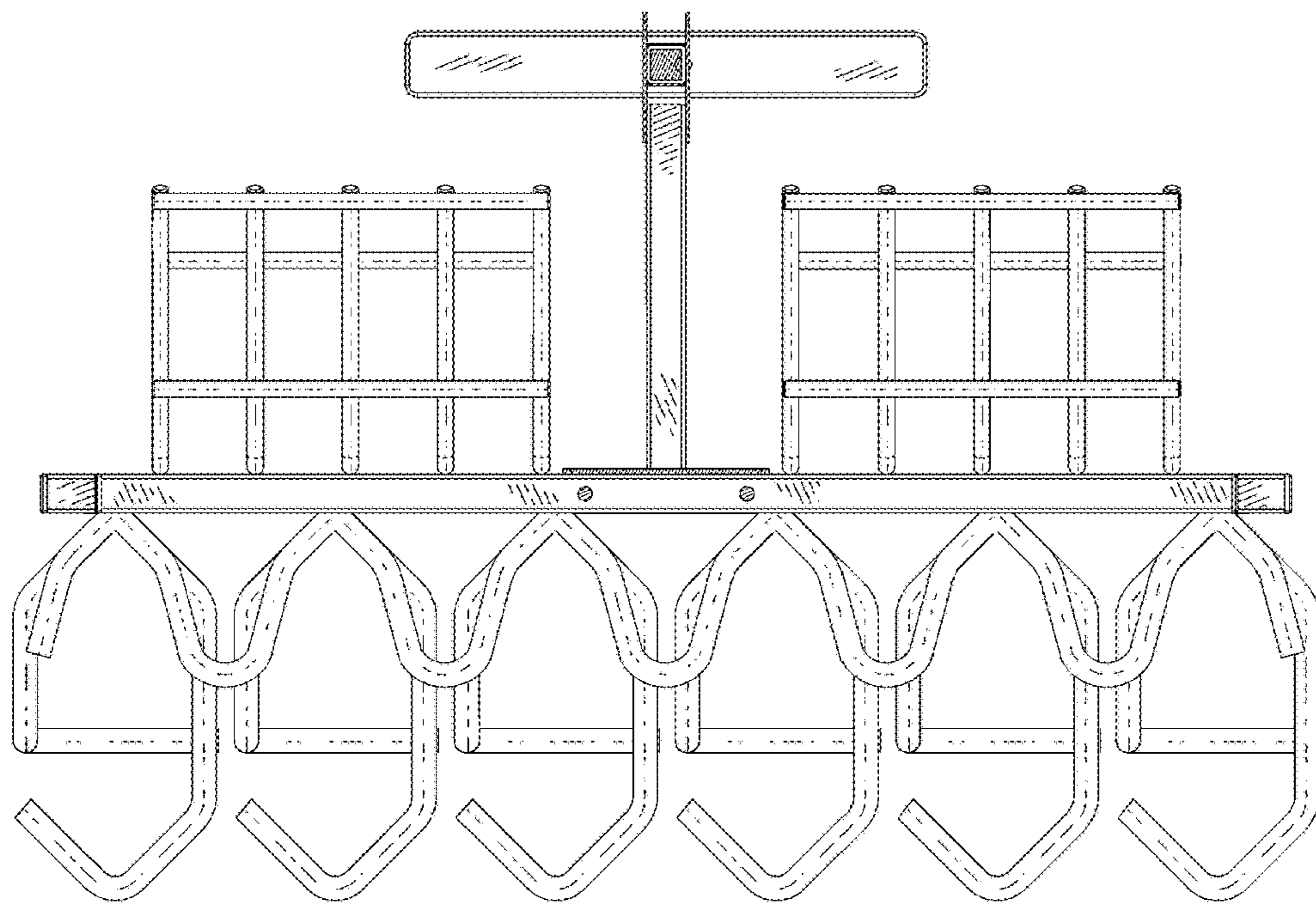


Fig. 13

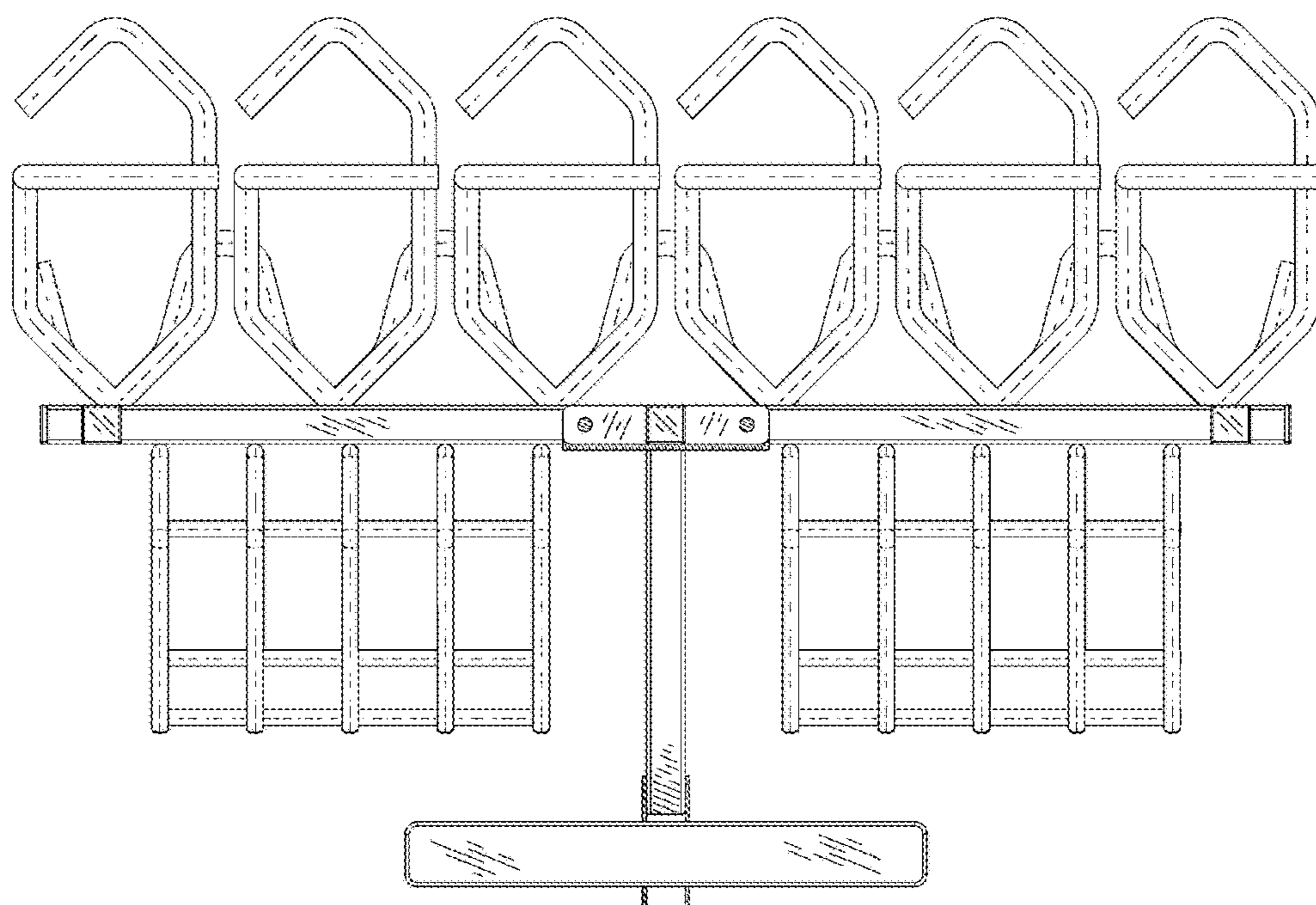


Fig. 14