

US00D922090S

(12) **United States Design Patent**
Zhang

(10) **Patent No.:** **US D922,090 S**

(45) **Date of Patent:** **** Jun. 15, 2021**

- (54) **LAPTOP DESK**
- (71) Applicant: **SHENZHEN PRIME TECHNOLOGY CO., LTD**, Shenzhen (CN)
- (72) Inventor: **Yuanming Zhang**, Shenzhen (CN)
- (73) Assignee: **SHENZHEN PRIME TECHNOLOGY CO., LTD**, Shenzhen (CN)
- (**) Term: **15 Years**

6,036,158 A *	3/2000	Raasch	B60N 3/005
				108/44
D432,595 S *	10/2000	Picker	D21/522
D499,575 S *	12/2004	Chan	D6/406.3
D512,245 S *	12/2005	Bean	D6/406.3
D583,164 S *	12/2008	Jennings	D6/406.6
D609,027 S *	2/2010	Jennings	D6/406.5
D619,823 S *	7/2010	Jennings	D6/406.3
7,828,260 B2 *	11/2010	Hauser	A47B 23/043
				248/456
D635,797 S	4/2011	Xingyin		
D663,546 S *	7/2012	Jennings	D6/406.3
D701,089 S *	3/2014	Lee	D7/554.3
D728,581 S *	5/2015	Feinberg	D14/447
D794,974 S *	8/2017	Jennings	D6/406.3
D836,937 S *	1/2019	Sullins	D6/406.3
D841,366 S	2/2019	Herring et al.		
D843,752 S *	3/2019	Sullins	D6/406.5
D853,147 S *	7/2019	Chen	D6/406.5

- (21) Appl. No.: **29/749,339**
- (22) Filed: **Sep. 4, 2020**
- (51) **LOC (13) Cl.** **06-06**
- (52) **U.S. Cl.**
USPC **D6/406.6**
- (58) **Field of Classification Search**
USPC D6/406.1, 406.3, 406.5, 406.6, 512, D6/685-686, 691, 704, 705; D7/550.1, D7/552.2, 554.3, 555; D14/439, 447
CPC A47G 23/06; A47G 23/08; A47G 29/093; A47B 23/00; A47B 23/002; A45F 2200/05; A45F 2200/0525; A45F 5/00; G06F 1/1613
See application file for complete search history.

(Continued)

Primary Examiner — Kelley A Donnelly

(57) **CLAIM**

The ornamental design for a laptop desk, as shown and described.

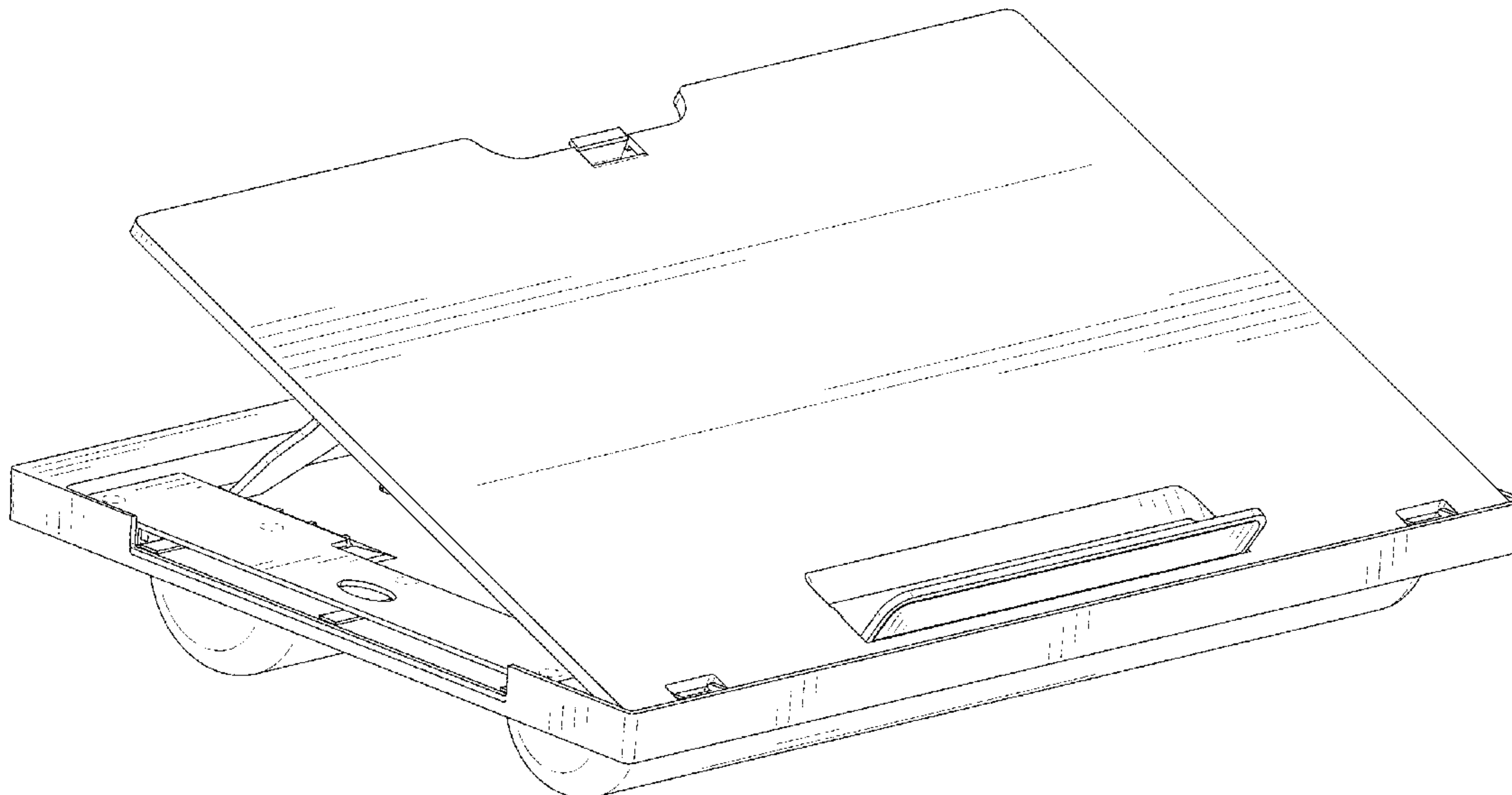
DESCRIPTION

FIG. 1 is a perspective view of a laptop desk showing my new design;
 FIG. 2 is another perspective view thereof;
 FIG. 3 is another perspective view thereof;
 FIG. 4 is a front elevational view thereof;
 FIG. 5 is a rear elevational view thereof;
 FIG. 6 is a left side elevational view thereof;
 FIG. 7 is a right side elevational view thereof;
 FIG. 8 is a top plan view thereof;
 FIG. 9 is a bottom plan view thereof; and,
 FIG. 10 is a perspective view of the laptop desk where the laptop desk is in a configuration of use.
 The broken lines in the drawings depict portions of the laptop desk that form no part of the claimed design.

(56) **References Cited**
 U.S. PATENT DOCUMENTS

2,640,747 A *	6/1953	Bodenhoff	A47B 23/00
				248/444
D293,493 S *	12/1987	Garr	D6/406.6
5,081,936 A *	1/1992	Drieling	B60N 3/002
				108/25
D356,009 S *	3/1995	Branch	D6/406.5
5,425,455 A *	6/1995	Miller	A47G 23/0608
				206/562

1 Claim, 10 Drawing Sheets



(56)

References Cited

U.S. PATENT DOCUMENTS

D887,166 S *	6/2020	Ren	D6/406.5
D895,326 S *	9/2020	Goldberg	D6/656.19
D906,719 S *	1/2021	Sullins	D6/406.5
2007/0113757 A1 *	5/2007	Lilly	A47B 23/002 108/25

* cited by examiner

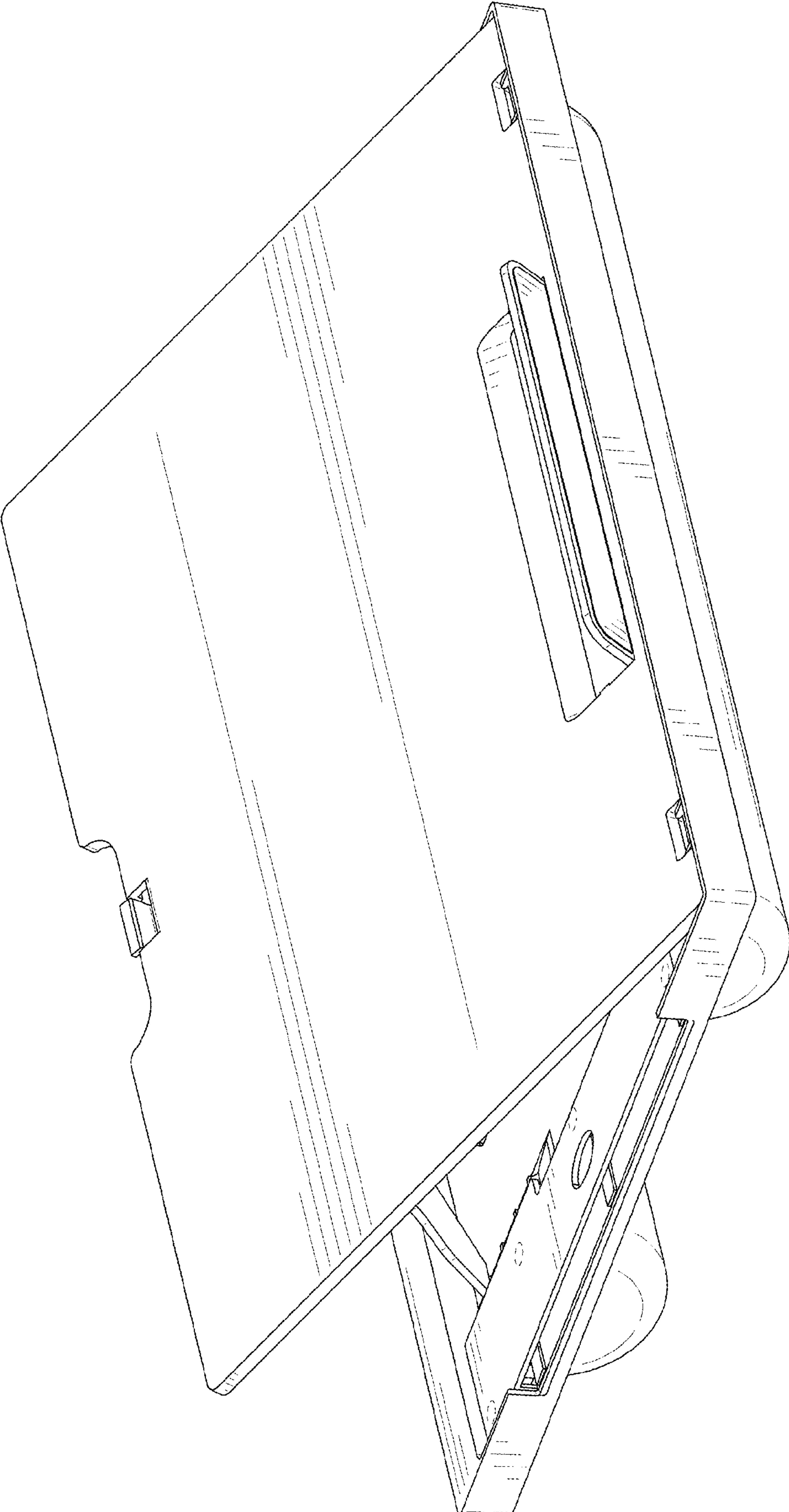


FIG. 1

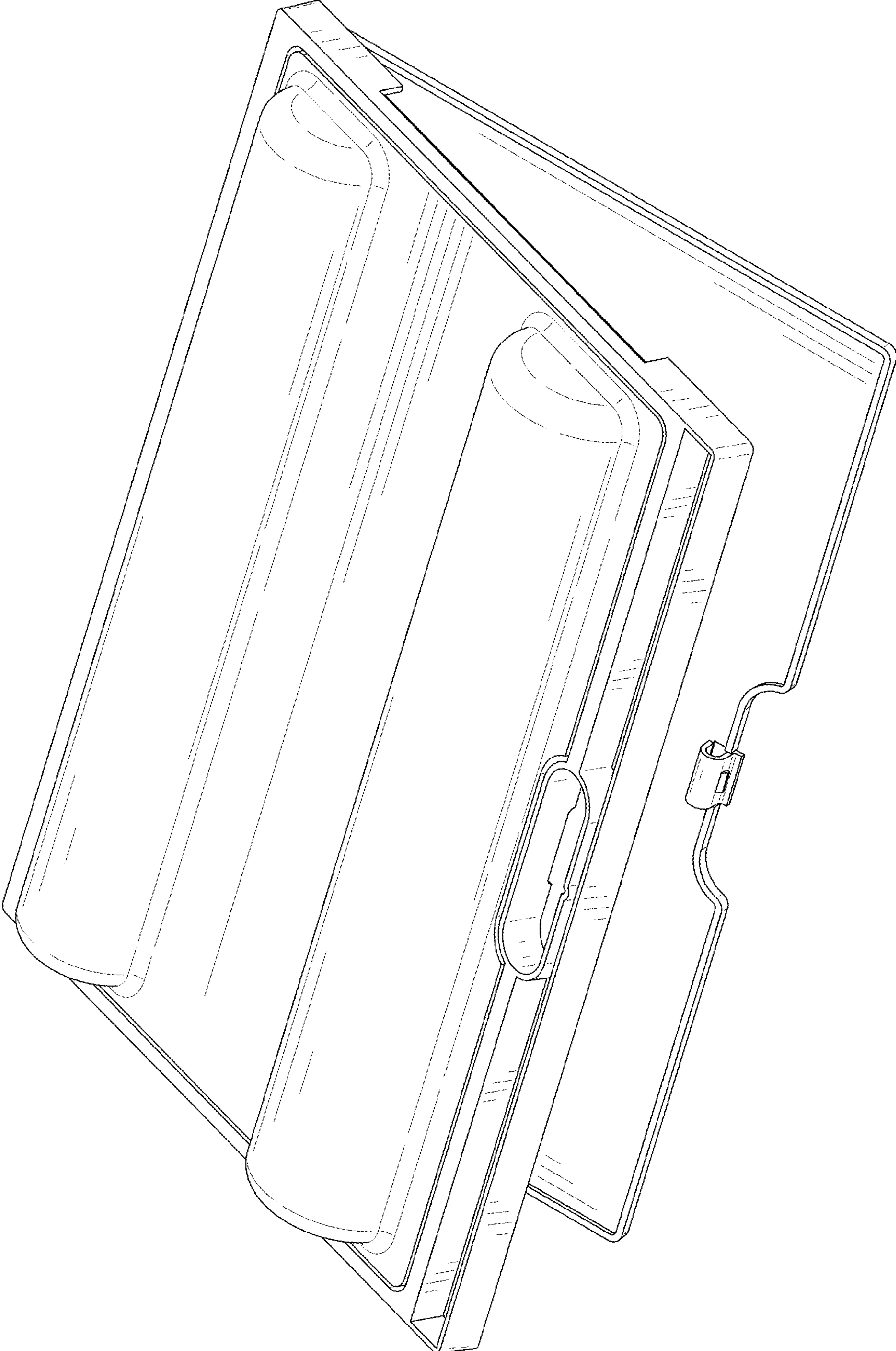


FIG. 2

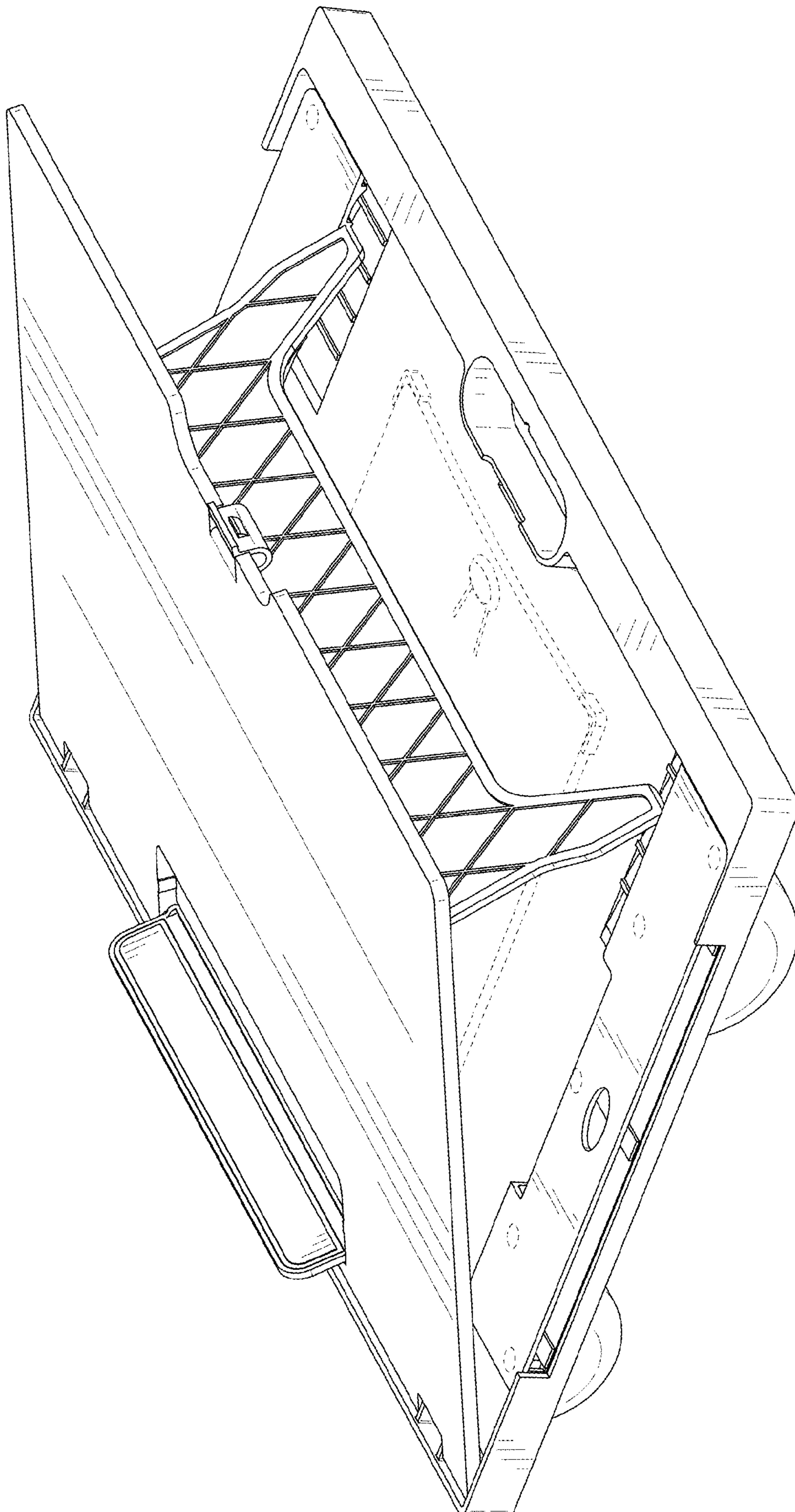


FIG. 3

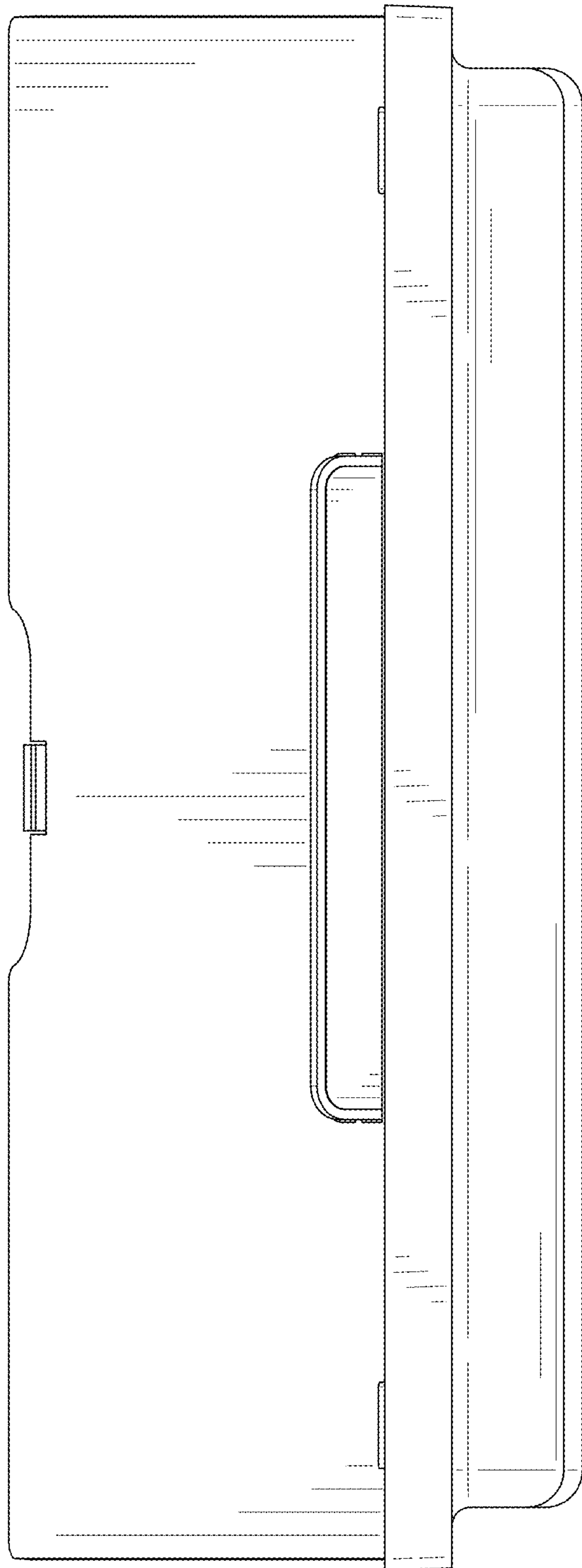


FIG. 4

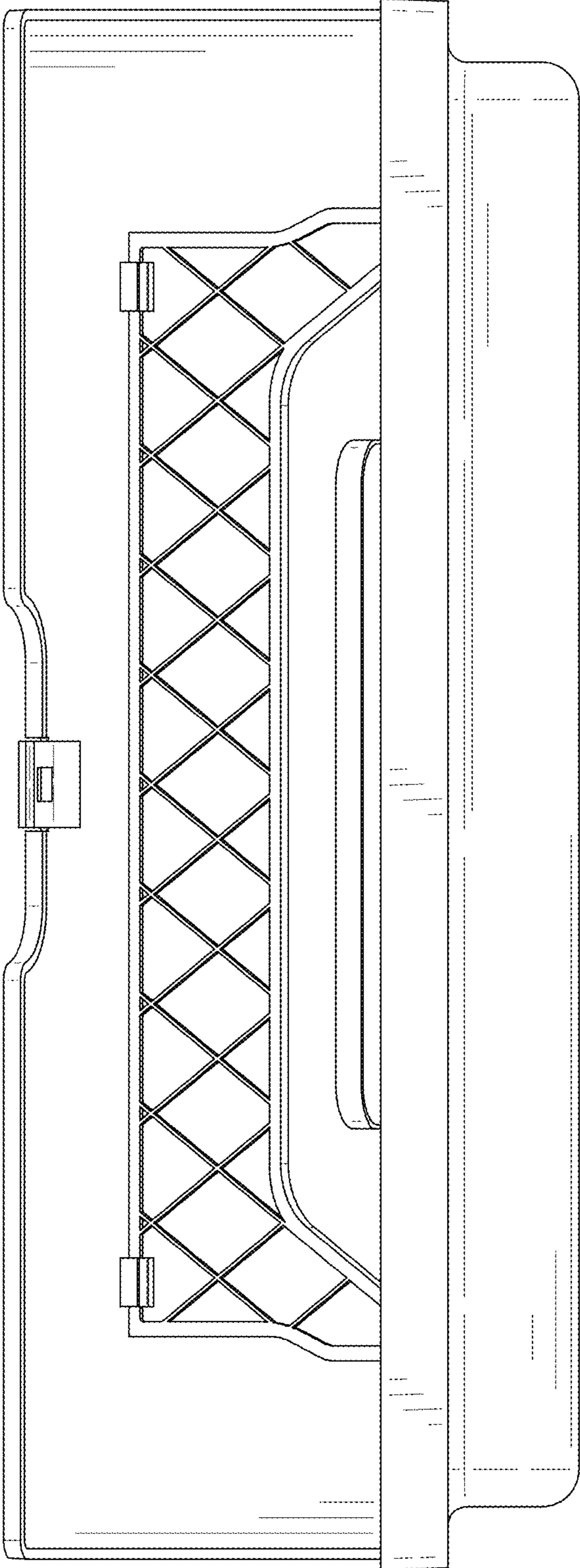


FIG. 5

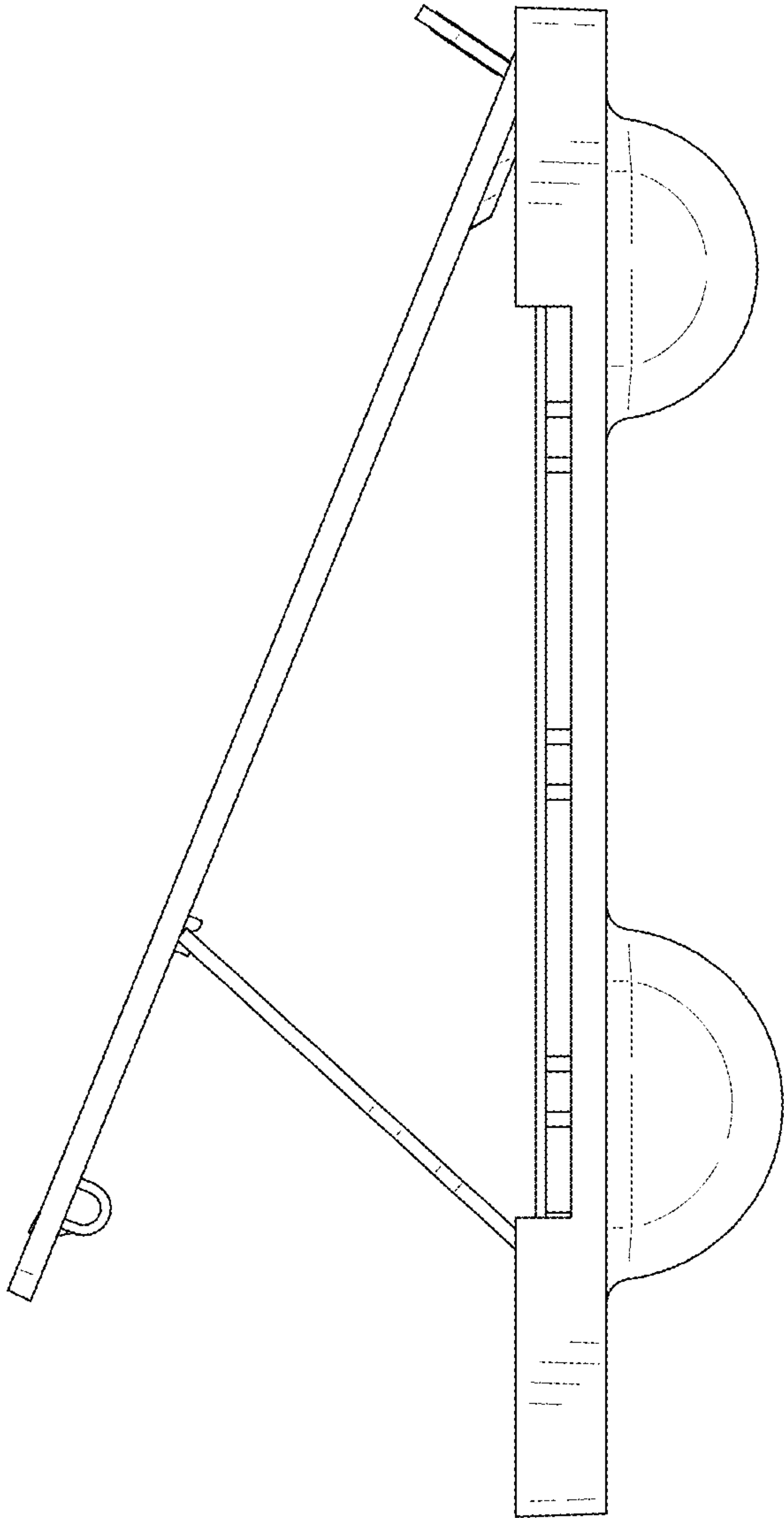


FIG. 6

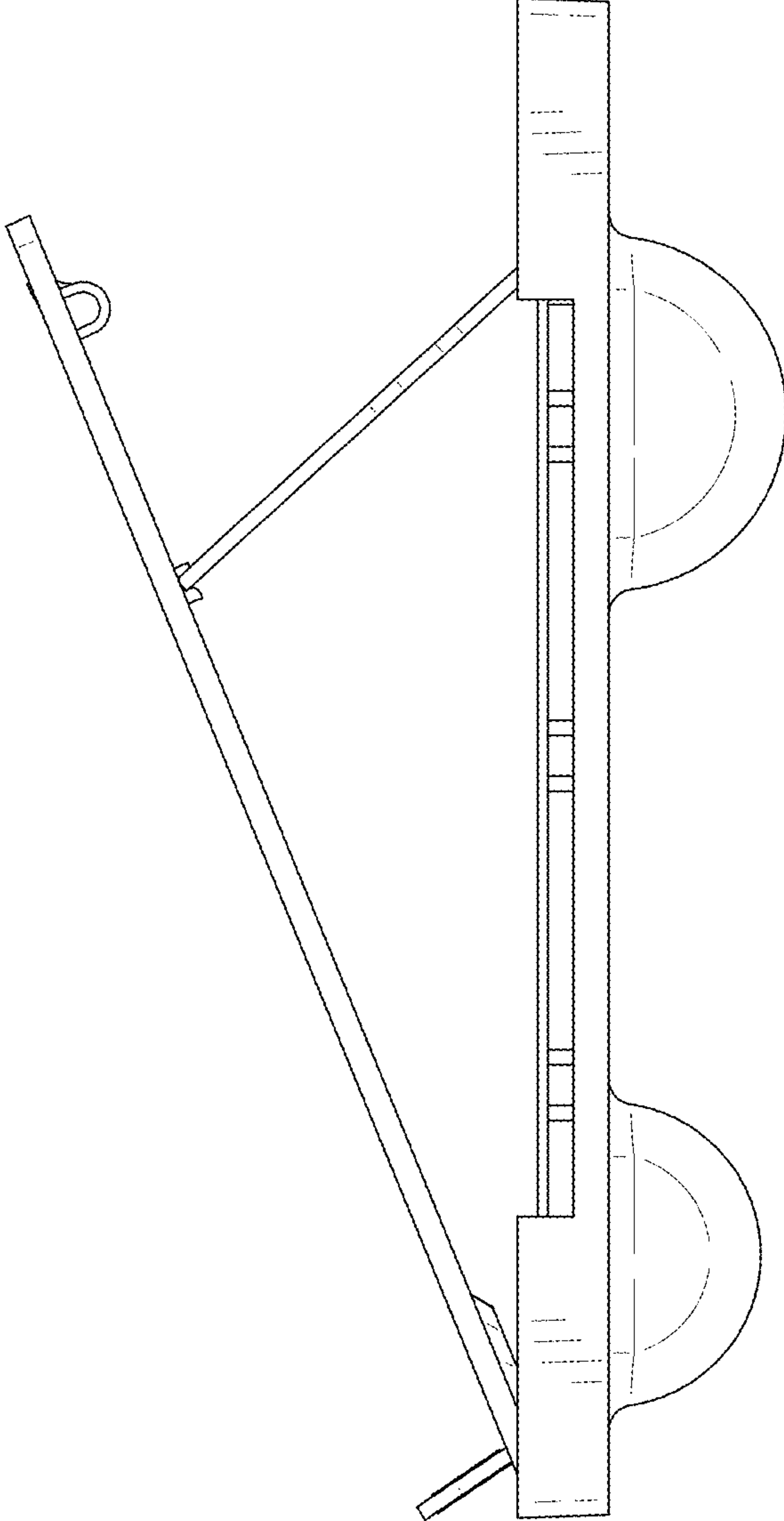


FIG. 7

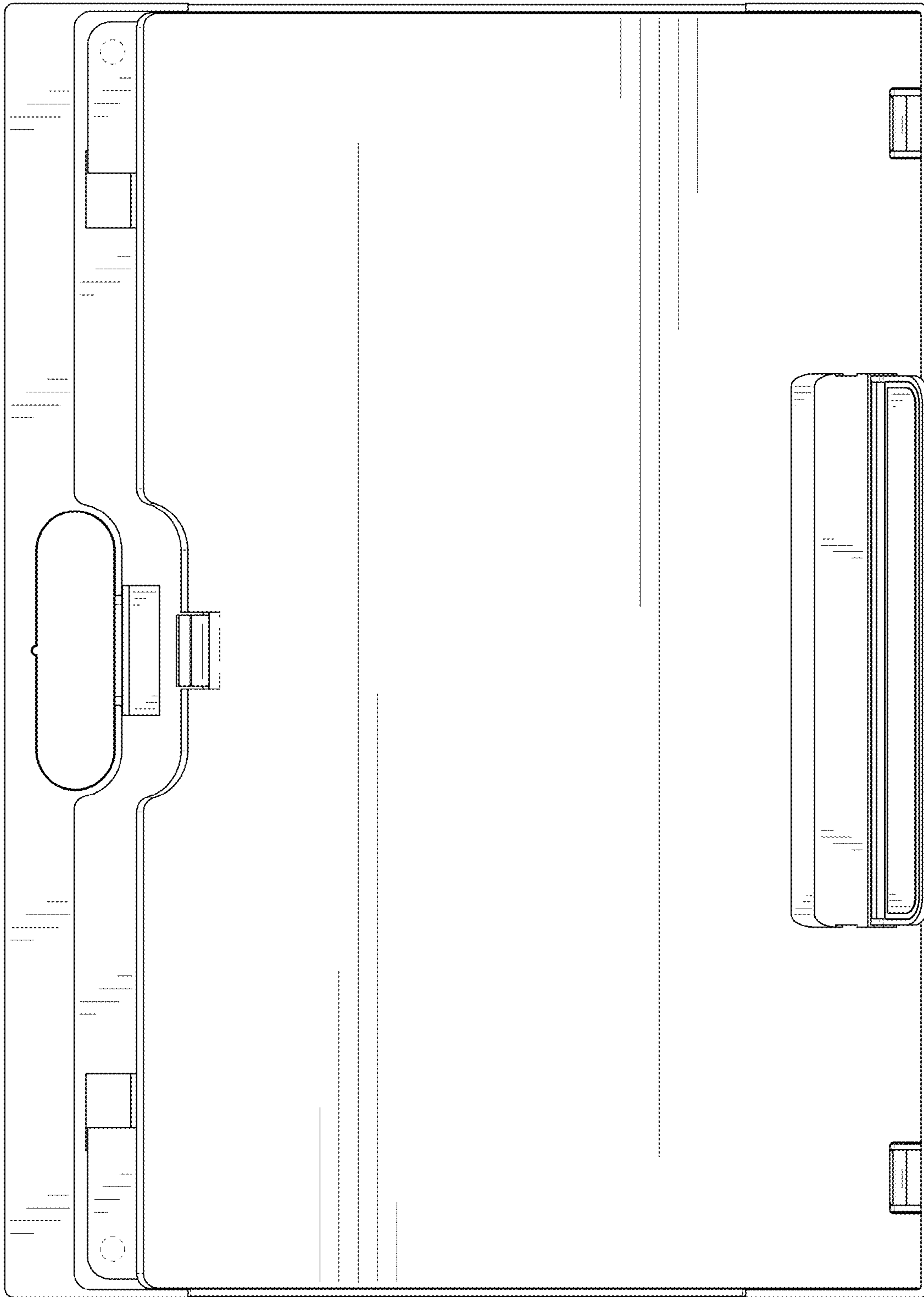


FIG. 8

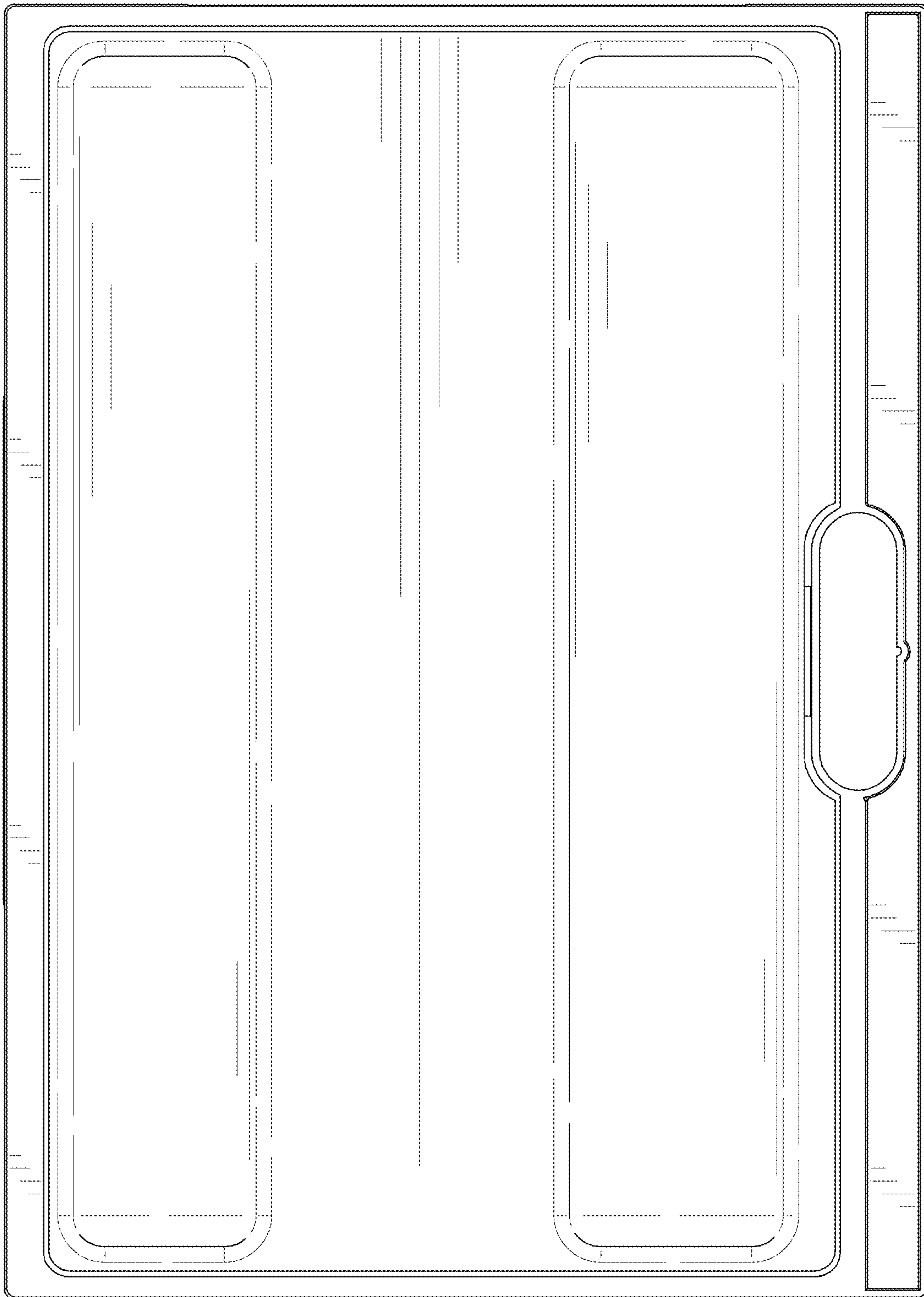


FIG. 9

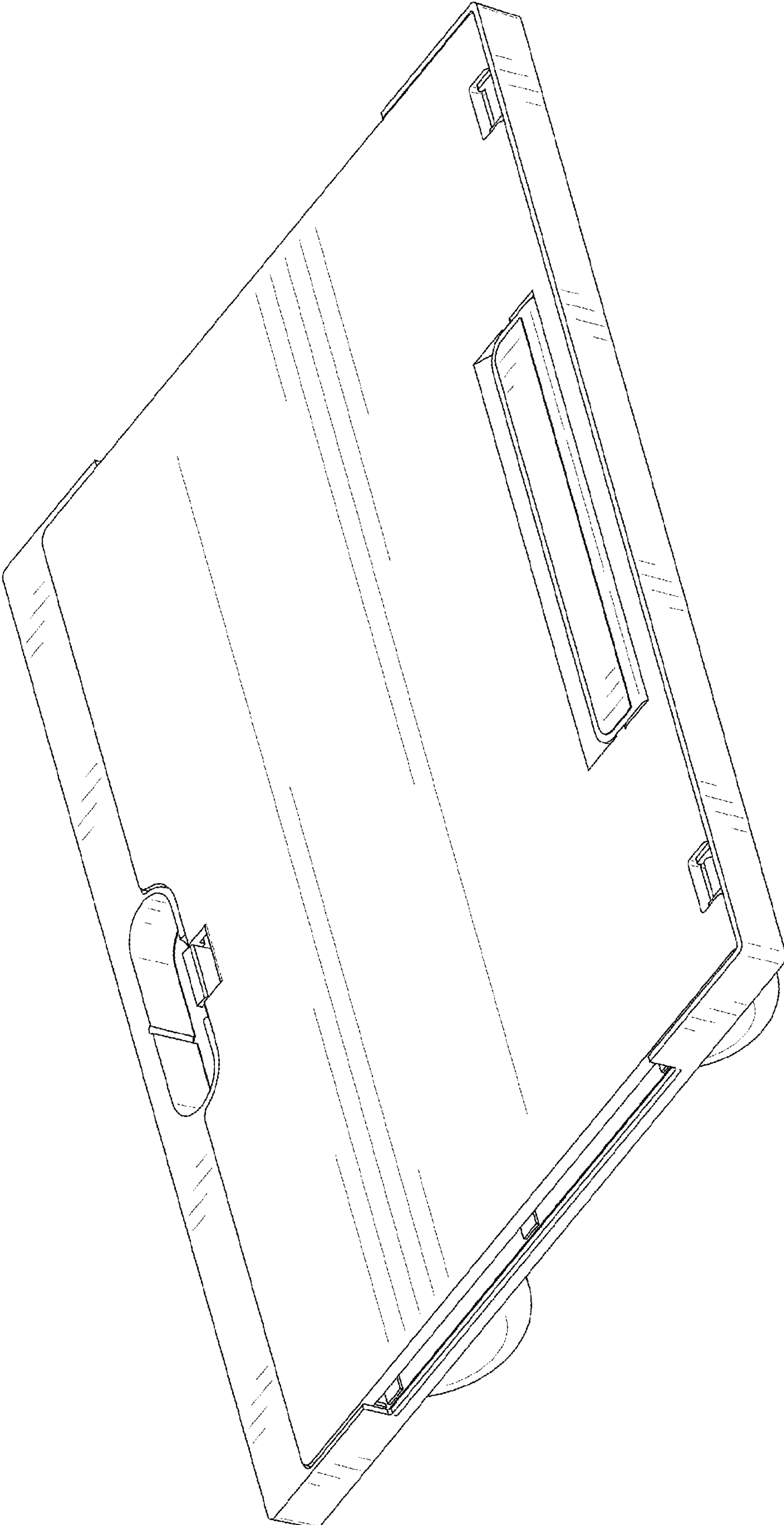


FIG. 10