



US00D922089S

(12) **United States Design Patent**  
**Holper**

(10) **Patent No.:** **US D922,089 S**

(45) **Date of Patent:** **\*\* Jun. 15, 2021**

(54) <b>BASSINET</b>	7,685,657 B1 * 3/2010 Hernandez ..... A47D 9/02 5/109
(71) Applicant: <b>Milk Holding B.V.</b> , Amsterdam (NL)	D643,344 S * 8/2011 Barenbrug ..... D12/129 D681,966 S * 5/2013 Slotteroy ..... D6/333
(72) Inventor: <b>Michel Paul Rene Holper</b> , Amsterdam (NL)	D815,568 S * 4/2018 Oakes ..... D12/129 D818,400 S * 5/2018 Barenbrug ..... D12/133 D858,364 S * 9/2019 Barenbrug ..... D12/129 D869,343 S * 12/2019 Taylor ..... D12/129 D883,860 S * 5/2020 Barenbrug ..... D12/129
(73) Assignee: <b>Milk Holding B.V.</b> , Amsterdam (NL)	

(\*\*) Term: **15 Years**

(21) Appl. No.: **29/710,358**

(22) Filed: **Oct. 22, 2019**

(30) **Foreign Application Priority Data**

Apr. 23, 2019 (EM) ..... 006392619-0003

(51) **LOC (13) Cl.** ..... **06-02**

(52) **U.S. Cl.**  
USPC ..... **D6/391**

(58) **Field of Classification Search**  
USPC ..... D6/331, 333, 390, 391, 718.26, 718.29;  
D12/129, 133  
CPC ..... A47D 13/00; A47D 13/02; A47D 13/06;  
A47D 13/063; A47D 13/066; A47D  
9/005; B62B 7/006; B62B 7/06; B62B  
7/14; B62B 9/10  
See application file for complete search history.

(56) **References Cited**

**U.S. PATENT DOCUMENTS**

3,096,917 A *	7/1963	Gudiksen	.....	A47D 15/003 294/140
D246,518 S *	11/1977	Maclaren	.....	D12/128
5,819,341 A *	10/1998	Simantob	.....	A47C 9/002 5/98.1
D575,536 S *	8/2008	Bizzell	.....	D6/333
D577,918 S *	10/2008	Bizzell	.....	D6/333
D612,629 S *	3/2010	Gower	.....	D6/390

**OTHER PUBLICATIONS**

Joolz Day3 Stroller Review, Pishposhbaby.com, Jan. 27, 2019, site visited Jul. 13, 2020, available online at <https://site.pishposhbaby.com/blog/2019/01/27/new-joolz-day3-stroller-full-review/> (Year: 2019).\*

(Continued)

*Primary Examiner* — Mary Ann Calabrese

(74) *Attorney, Agent, or Firm* — TraskBritt

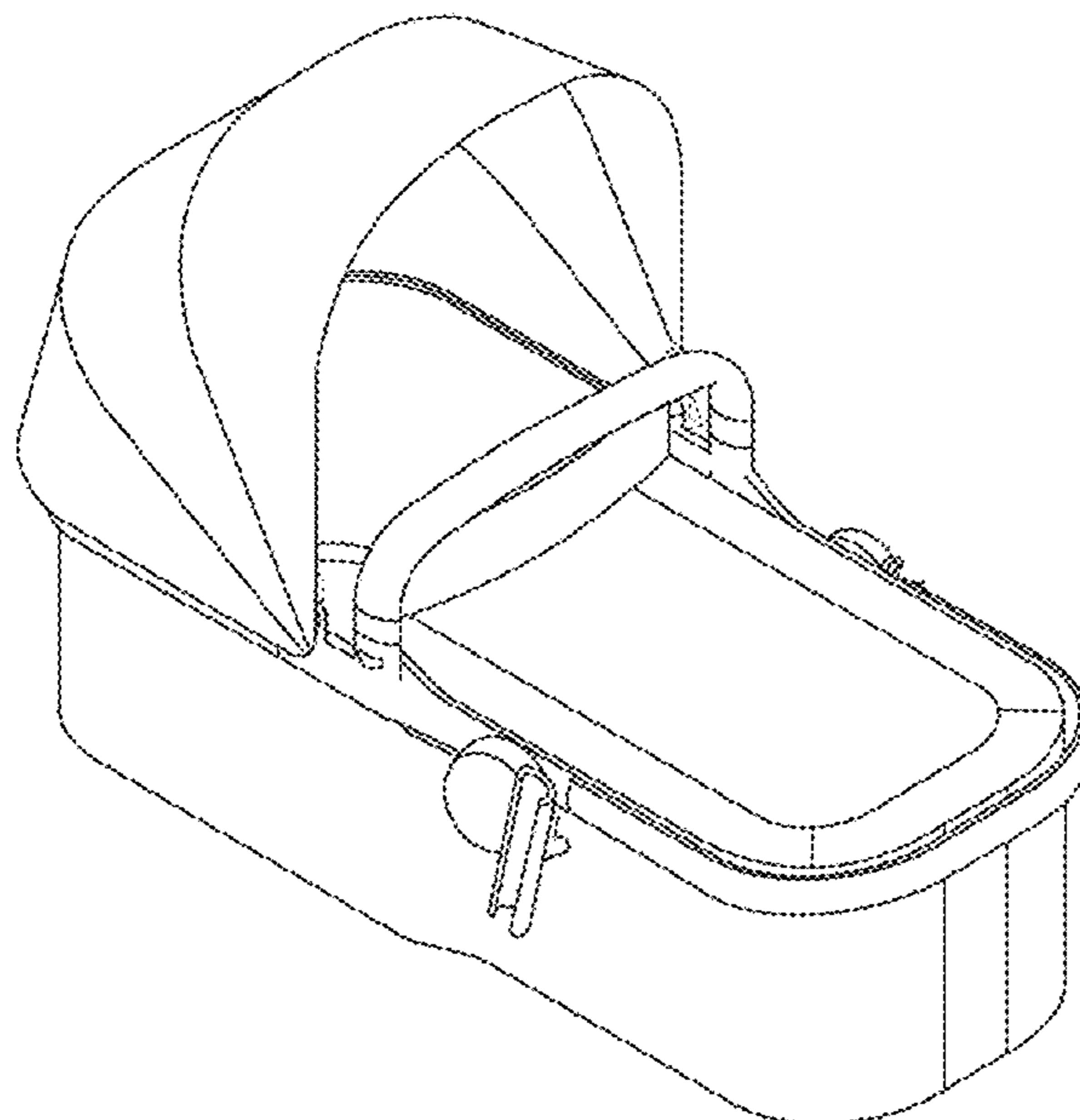
(57) **CLAIM**

The ornamental design for a bassinet, as shown and described.

**DESCRIPTION**

FIG. 1 is a first perspective view of a bassinet showing my new design;  
FIG. 2 is a second perspective view thereof;  
FIG. 3 is a perspective bottom view thereof;  
FIG. 4 is a top view thereof;  
FIG. 5 is a right rear perspective view thereof, but shown in the folded position with the handle removed;  
FIG. 6 is a left rear perspective view thereof; and,  
FIG. 7 is a bottom perspective view thereof.  
Broken-line disclosure is understood to represent portions of the article in which the claimed design is embodied, but which form no part of the claimed design.

**1 Claim, 6 Drawing Sheets**



(56)

**References Cited**

## OTHER PUBLICATIONS

Cynebaby Newborn Baby Stroller Review, strollerwithcarseatcombo.com, Apr. 24, 2017, site visited Jul. 13, 2020, available online at <https://strollerwithcarseatcombo.com/2017/04/24/cynebaby-newborn-baby-stroller-review/> (Year: 2017).\*

Joovy® Qool™ Bassinet—buybuybaby </b>—retrieved from the internet on Apr. 6, 2021 [https://www.buybuybaby.com/store/product/joovy-reg-qool-trade-bassinet/1063238471?skuld=63238471&mrkgcl=611&mrkgadid=&enginename=google&mcid=PS\\_googlepla\\_nonbrand\\_strollers\\_online&product\\_id=63238471&product\\_channel=online&adtyadtype=pla&adpos=&creative=263213775502&device=c&matchtype=&network=g&utm\\_campaignid=7170000040071070&utm\\_adgroupid=58700004310376413&targetid=92700036057523982&enginename=google&product\\_id=63238471&product\\_channel=online&adtype=pla&adpos=&creative=263213775502&device=c&matchtype=&network=g&gclid=EAIaIQobChMIImZiPtfTp7wIVmeDICH1J0AD5EakYCSABEgLd2\\_D\\_BwE&gclsrc=aw.ds&wmSkipPwa=1](https://www.buybuybaby.com/store/product/joovy-reg-qool-trade-bassinet/1063238471?skuld=63238471&mrkgcl=611&mrkgadid=&enginename=google&mcid=PS_googlepla_nonbrand_strollers_online&product_id=63238471&product_channel=online&adtyadtype=pla&adpos=&creative=263213775502&device=c&matchtype=&network=g&utm_campaignid=7170000040071070&utm_adgroupid=58700004310376413&targetid=92700036057523982&enginename=google&product_id=63238471&product_channel=online&adtype=pla&adpos=&creative=263213775502&device=c&matchtype=&network=g&gclid=EAIaIQobChMIImZiPtfTp7wIVmeDICH1J0AD5EakYCSABEgLd2_D_BwE&gclsrc=aw.ds&wmSkipPwa=1).\*

Holper et al., U.S. Appl. No. 29/710,357, filed Oct. 22, 2019, entitled Foldable Baby Carriage.

Holper, U.S. Appl. No. 29/710,355, filed Oct. 22, 2019, entitled Baby Carriage.

Holper, U.S. Appl. No. 29/710,359, filed Oct. 22, 2019, entitled Carriage.

\* cited by examiner

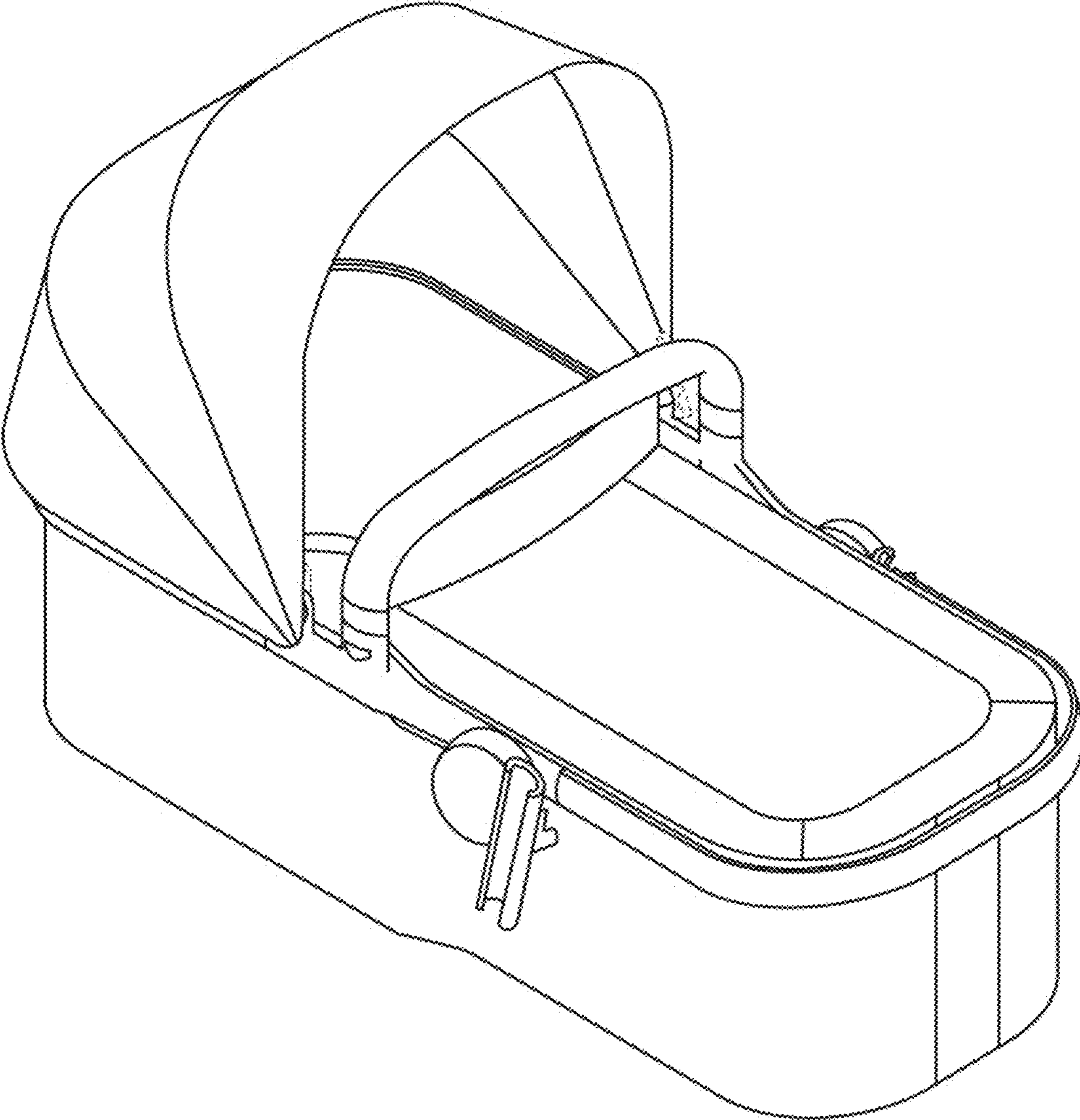


FIG. 1

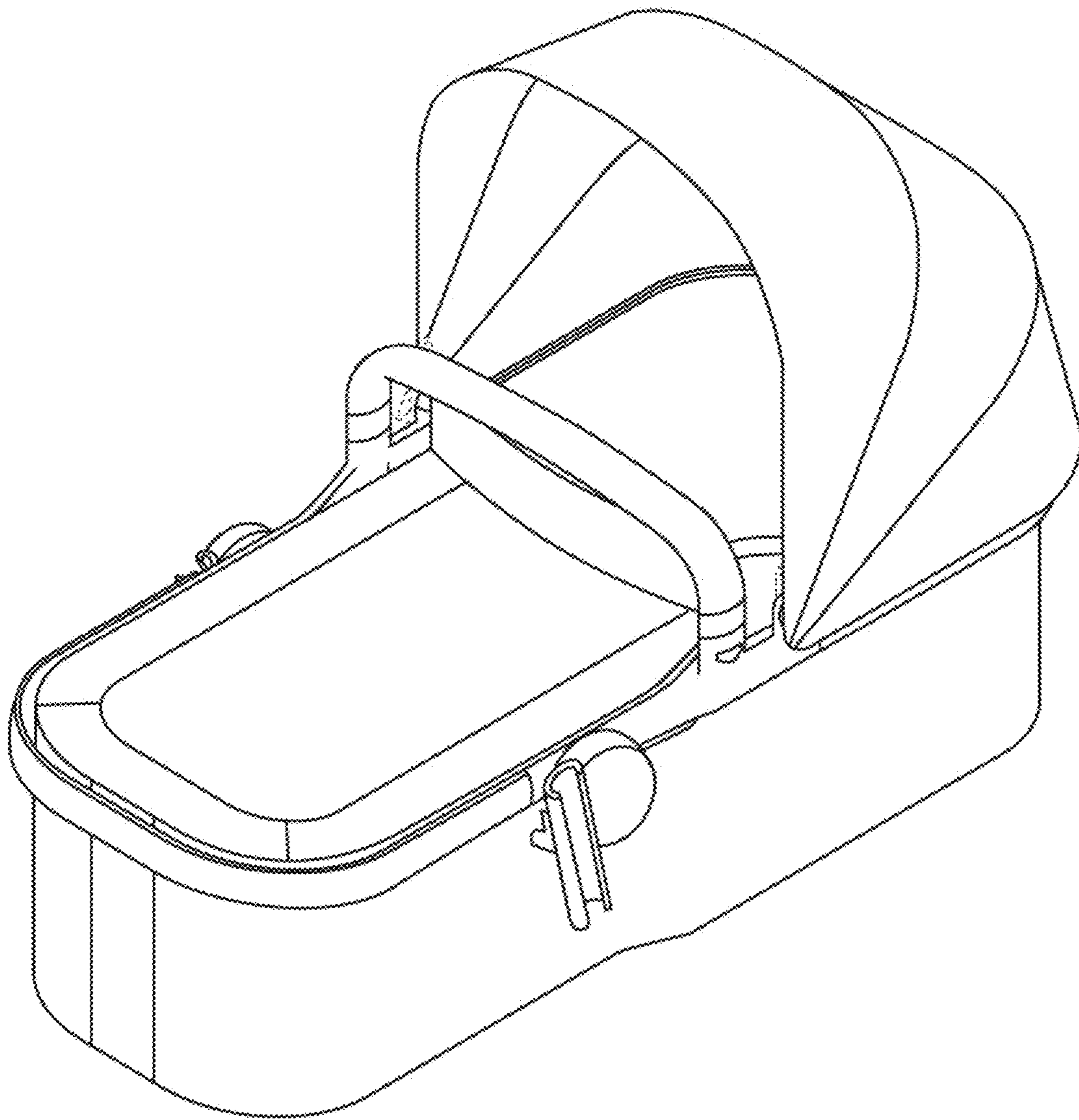


FIG. 2

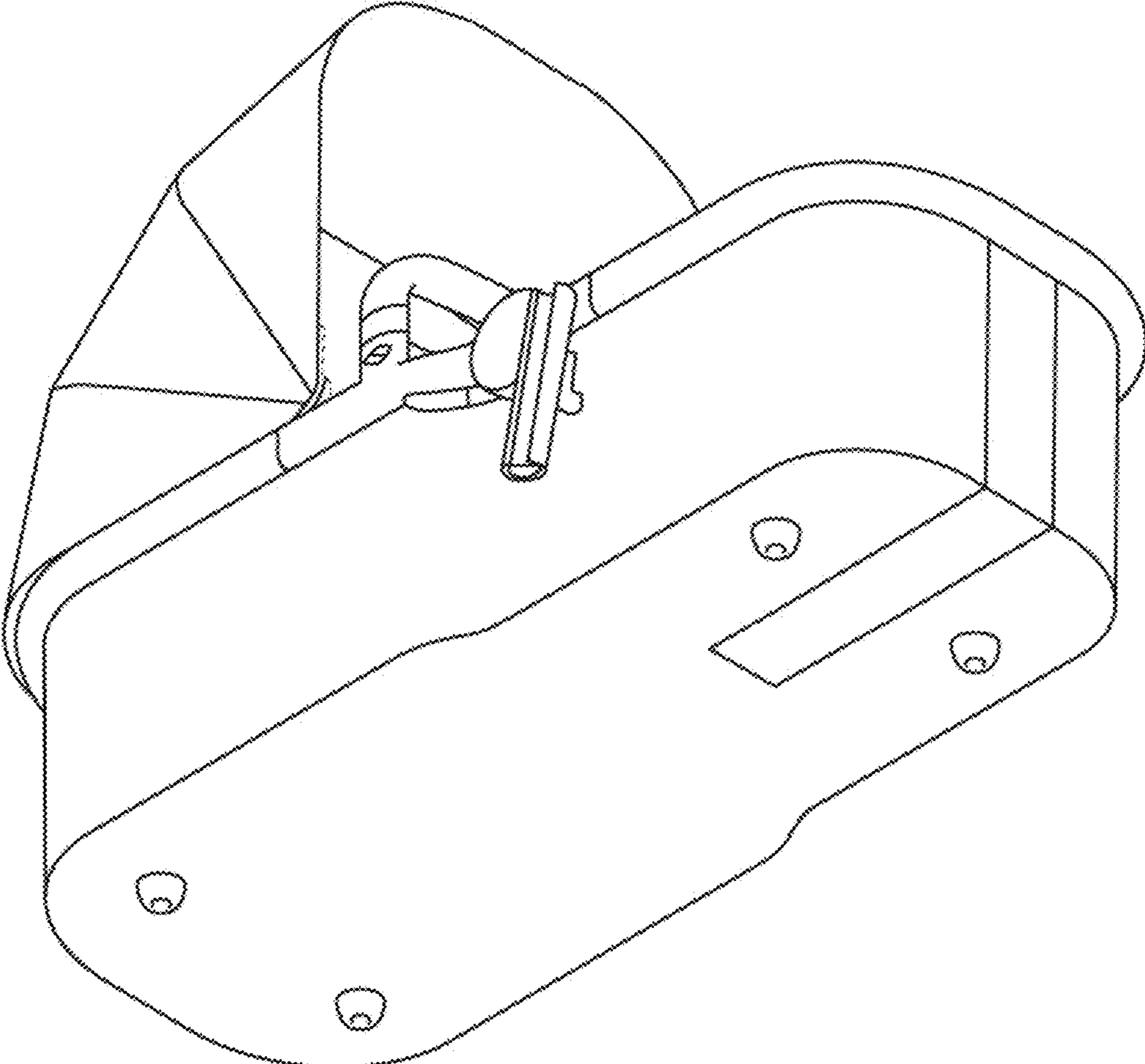


FIG. 3

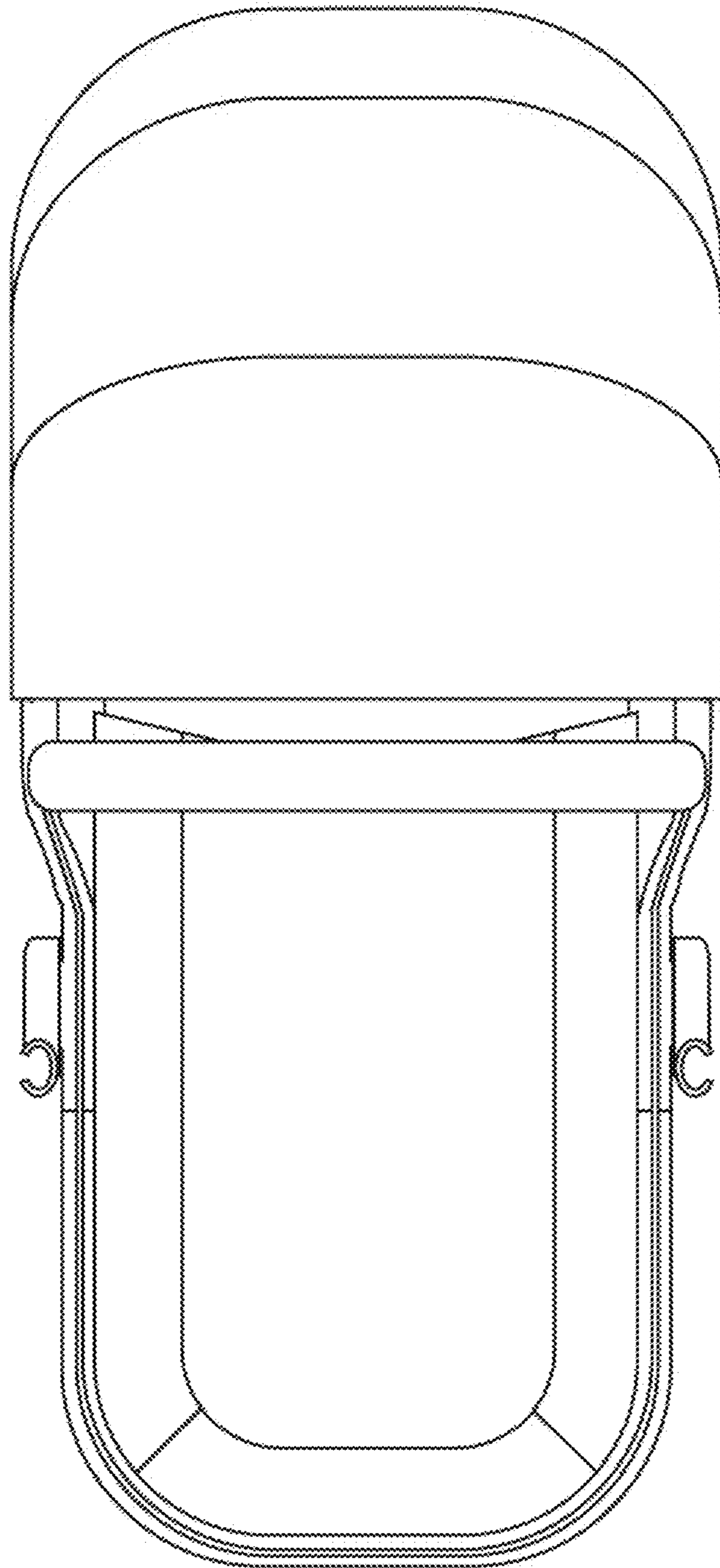


FIG. 4

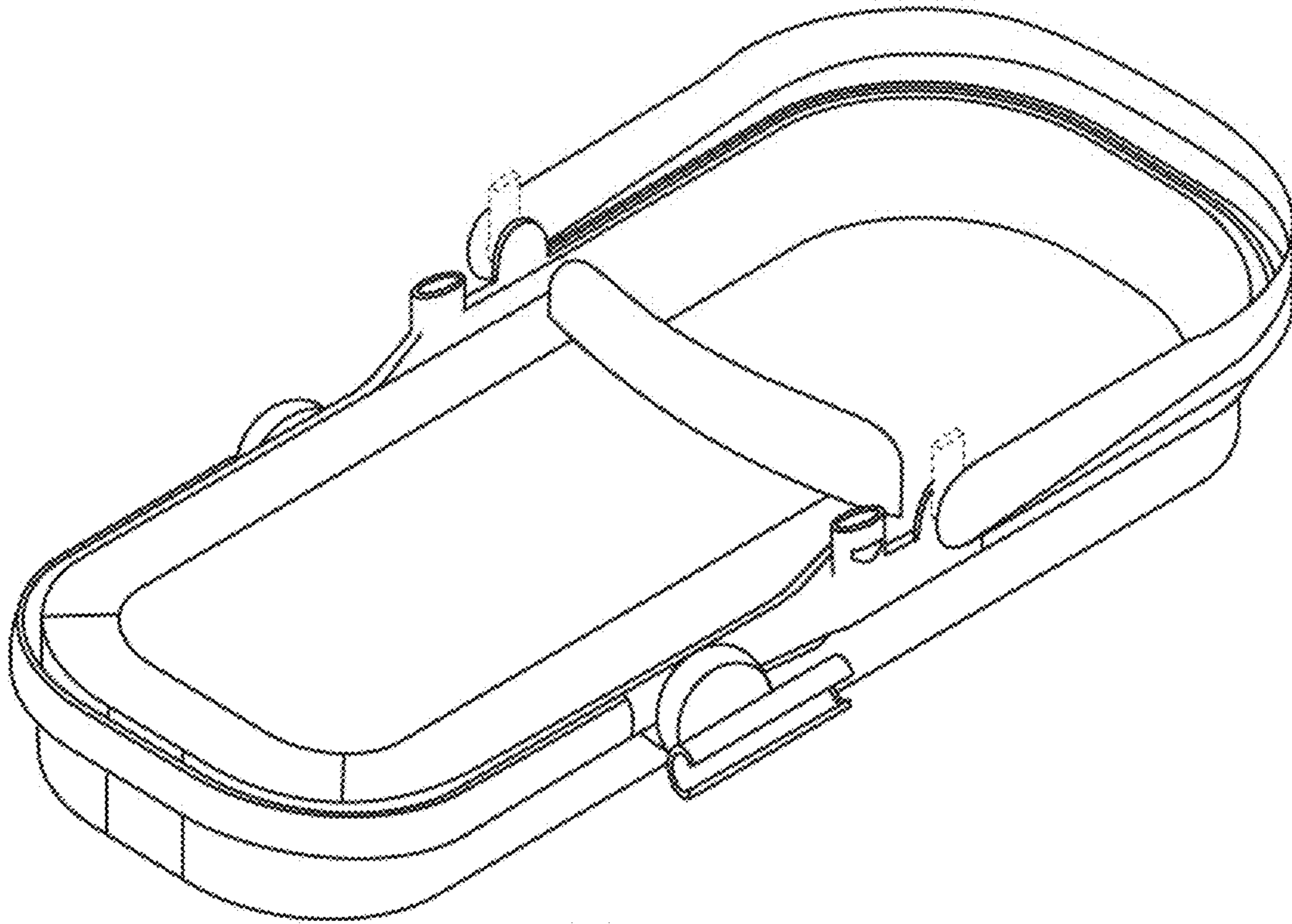


FIG. 5

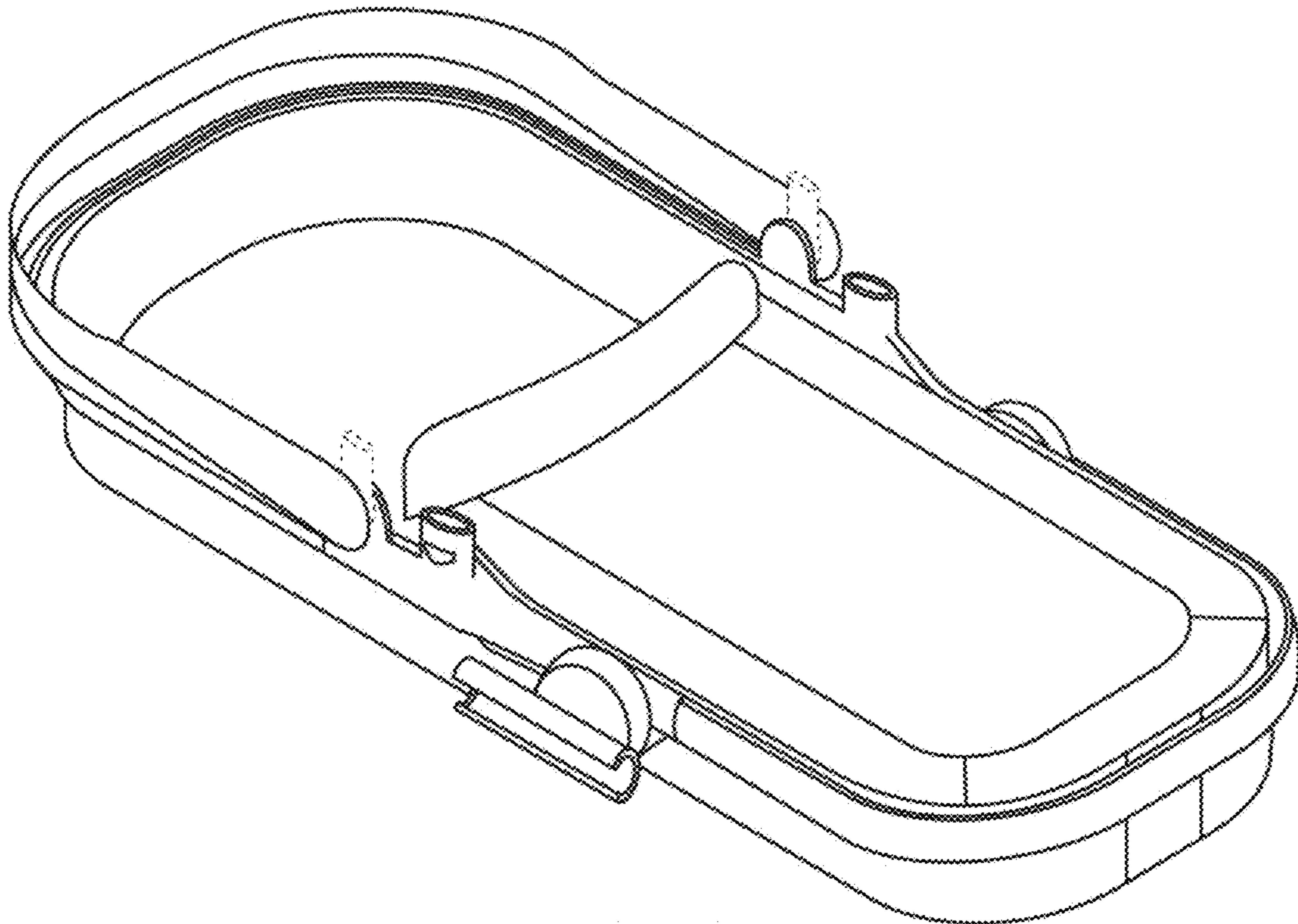


FIG. 6

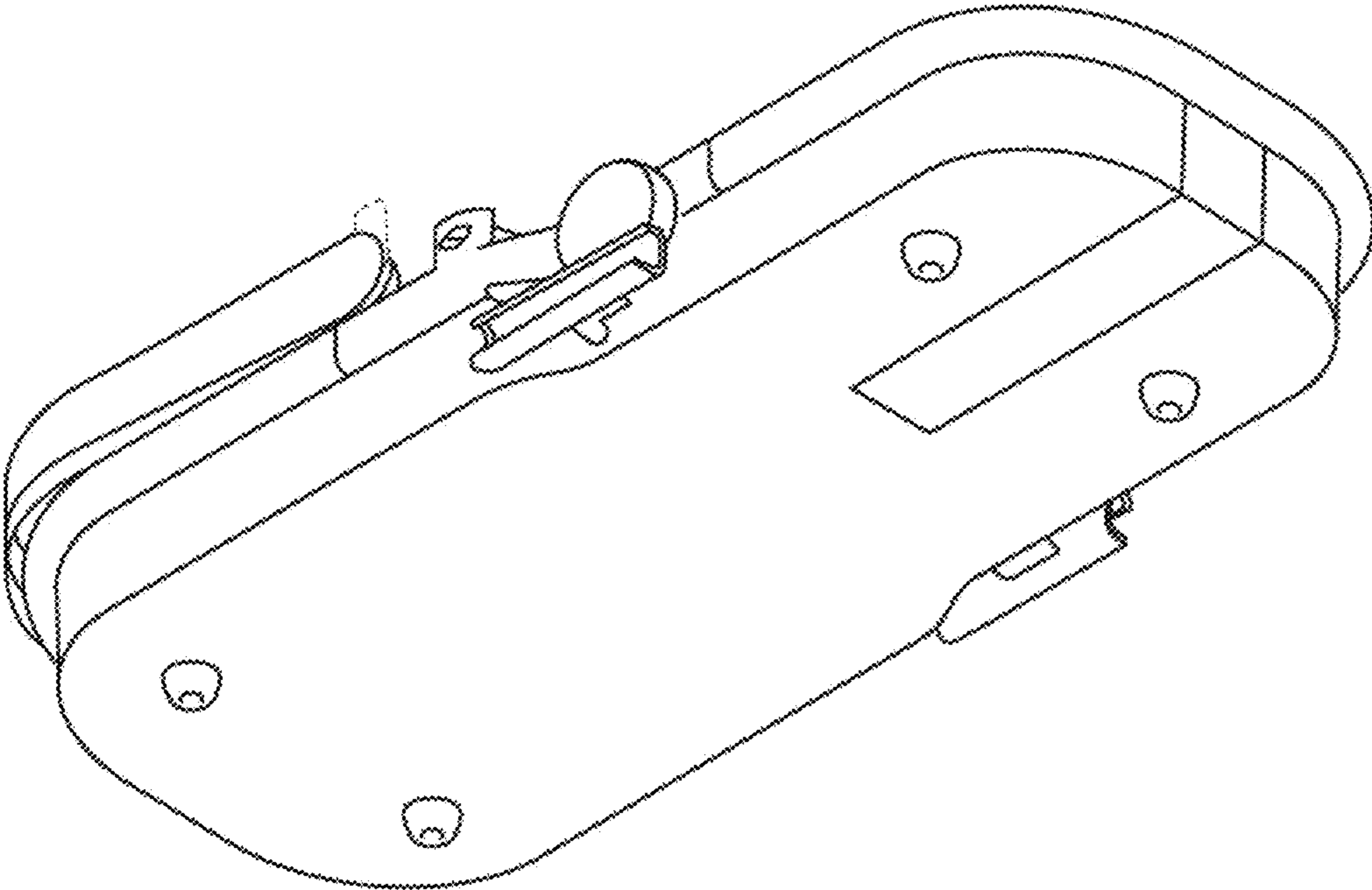


FIG. 7