



US00D922088S

(12) **United States Design Patent** (10) **Patent No.:** **US D922,088 S**
Xu (45) **Date of Patent:** **** Jun. 15, 2021**

(54) **CHILD’S BED**

(74) *Attorney, Agent, or Firm* — Prakash Nama; Global IP Services, PLLC

(71) Applicant: **DONG GUAN MASTER KIDS TOY CO., LTD.**, Dong Guan (CN)

(72) Inventor: **Jia Hong Xu**, Dong Guan (CN)

(57) **CLAIM**

(**) Term: **15 Years**

The ornamental design for a child’s bed, as shown and described.

(21) Appl. No.: **29/673,597**

(22) Filed: **Dec. 17, 2018**

DESCRIPTION

(51) **LOC (13) Cl.** **06-02**

(52) **U.S. Cl.**

USPC **D6/390**

(58) **Field of Classification Search**

USPC D6/331, 390, 391, 718.26

CPC A47D 7/00; A47D 7/002; A47D 7/005;

A47D 7/01; A47D 7/02; A47D 7/03;

A47D 9/00; A47D 9/005; A47D 13/06;

A47D 13/061; A47D 13/063; A47D

13/066; A47D 13/068

See application file for complete search history.

FIG. 1 is a top perspective view of the child’s bed, showing our new design;

FIG. 2 is a front elevational view thereof;

FIG. 3 is a rear elevational view thereof;

FIG. 4 is a left side elevational view thereof;

FIG. 5 is a right side elevational view thereof;

FIG. 6 is a top plan view thereof;

FIG. 7 is a bottom plan view thereof;

FIG. 8 is an enlarged view of a portion of the design shown in FIG. 1;

FIG. 9 is an enlarged view of a portion of the design shown in FIG. 1;

FIG. 10 is an enlarged view of a portion of the design shown in FIG. 1;

FIG. 11 is an enlarged view of a portion of the design shown in FIG. 1;

FIG. 12 is an enlarged view of a portion of the design shown in FIG. 2;

FIG. 13 is an enlarged view of a portion of the design shown in FIG. 2;

FIG. 14 is an enlarged view of a portion of the design shown in FIG. 4;

FIG. 15 is an enlarged view of a portion of the design shown in FIG. 4;

FIG. 16 is an enlarged view of a portion of the design shown in FIG. 6; and,

FIG. 17 is an enlarged view of a portion of the design shown in FIG. 7.

The broken lines in the drawings illustrate portions of the child’s bed that form no part of the claimed design.

(56) **References Cited**

U.S. PATENT DOCUMENTS

4,202,065 A * 5/1980 Sullivan A47D 9/005
5/99.1

D594,237 S * 6/2009 Gower D6/331

7,937,786 B2 * 5/2011 Bergkvist A47D 13/063
5/99.1

(Continued)

OTHER PUBLICATIONS

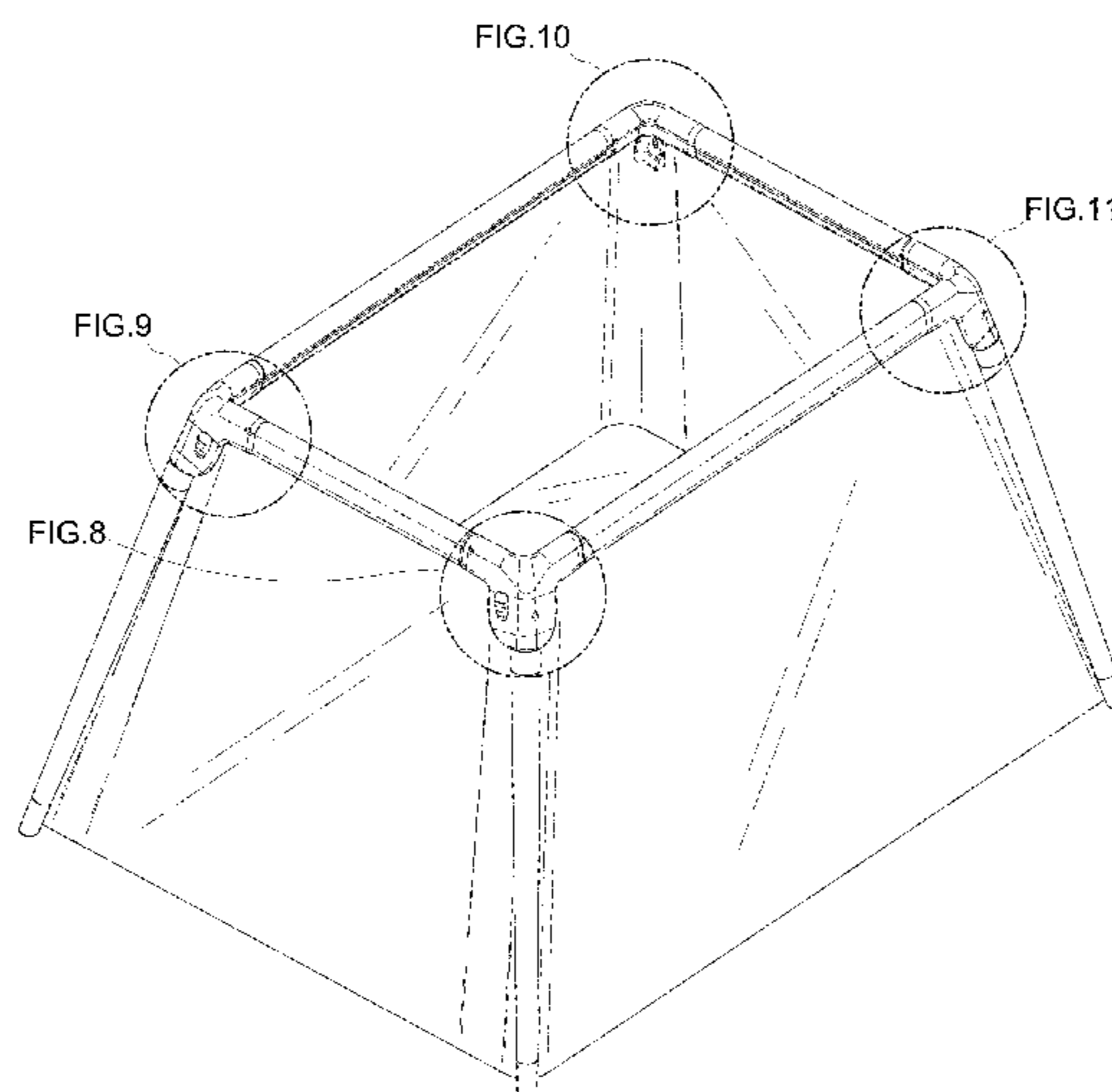
“UNiPLAY Pack N’ Play Portable Playard.” Found online Feb. 12, 2021 at www.amazon.com. Product reviewed Feb. 27, 2019. Retrieved from URL: <https://www.amazon.com/UNiPLAY-Portable-Lightweight-Certified-Certificate/dp/B07F8NC91C?th=1> (Year: 2019).*

(Continued)

Primary Examiner — Mary Ann Calabrese

Assistant Examiner — Katelin G Kloberg

1 Claim, 12 Drawing Sheets



(56)

References Cited

U.S. PATENT DOCUMENTS

D654,278	S *	2/2012	Crumrine	D6/331
8,365,323	B2 *	2/2013	Crumrine	A47D 9/005
				5/655
9,009,887	B2 *	4/2015	Lo	A47D 13/063
				5/110
D809,308	S *	2/2018	Vanbelle	D6/331
D866,995	S *	11/2019	Perrin	D6/331
2006/0230528	A1 *	10/2006	Church	A47D 13/066
				5/98.1
2008/0271244	A1 *	11/2008	Bergkvist	A47D 13/063
				5/99.1
2014/0075670	A1 *	3/2014	Crumrine	A47D 9/005
				5/99.1
2015/0007387	A1 *	1/2015	Lo	A47D 13/063
				5/98.1
2017/0065100	A1 *	3/2017	Lange	A47D 13/063
2017/0367488	A1 *	12/2017	Brun	A47D 13/063
2020/0008585	A1 *	1/2020	Thrift	A47D 13/063

OTHER PUBLICATIONS

“Resesang Light.” Found online Feb. 13, 2021 at www.babybjorn.se. Page archived Nov. 8, 2016. Retrieved from URL: <https://web.archive.org/web/20161108031723/https://www.babybjorn.se/resesang-och-vagga/resesang-light/> (Year: 2016).*

“Costway Portable Baby Playpen.” Found online Feb. 13, 2021 at www.overstock.com. Product reviewed Aug. 11, 2019. Retrieved from URL: <https://www.overstock.com/Baby/Costway-Portable-Baby-Playpen-Playard-Lightweight-w-Travel-Bag-For-Newborn-Toddler/28076170/product.html#review-aggregation-region> (Year: 2019).*

“phil&teds Portable Traveller Crib.” Found online Feb. 13, 2021 at www.amazon.com. Product reviewed Oct. 27, 2014. Retrieved from URL: https://www.amazon.com/phil-teds-Portable-Traveller-Black/dp/B009VYX4FO/ref=sr_1_2?dchild=1&keywords=phil%26teds+portable+traveller+crib&qid=1613245158&sr=8-2 (Year: 2014).*

* cited by examiner

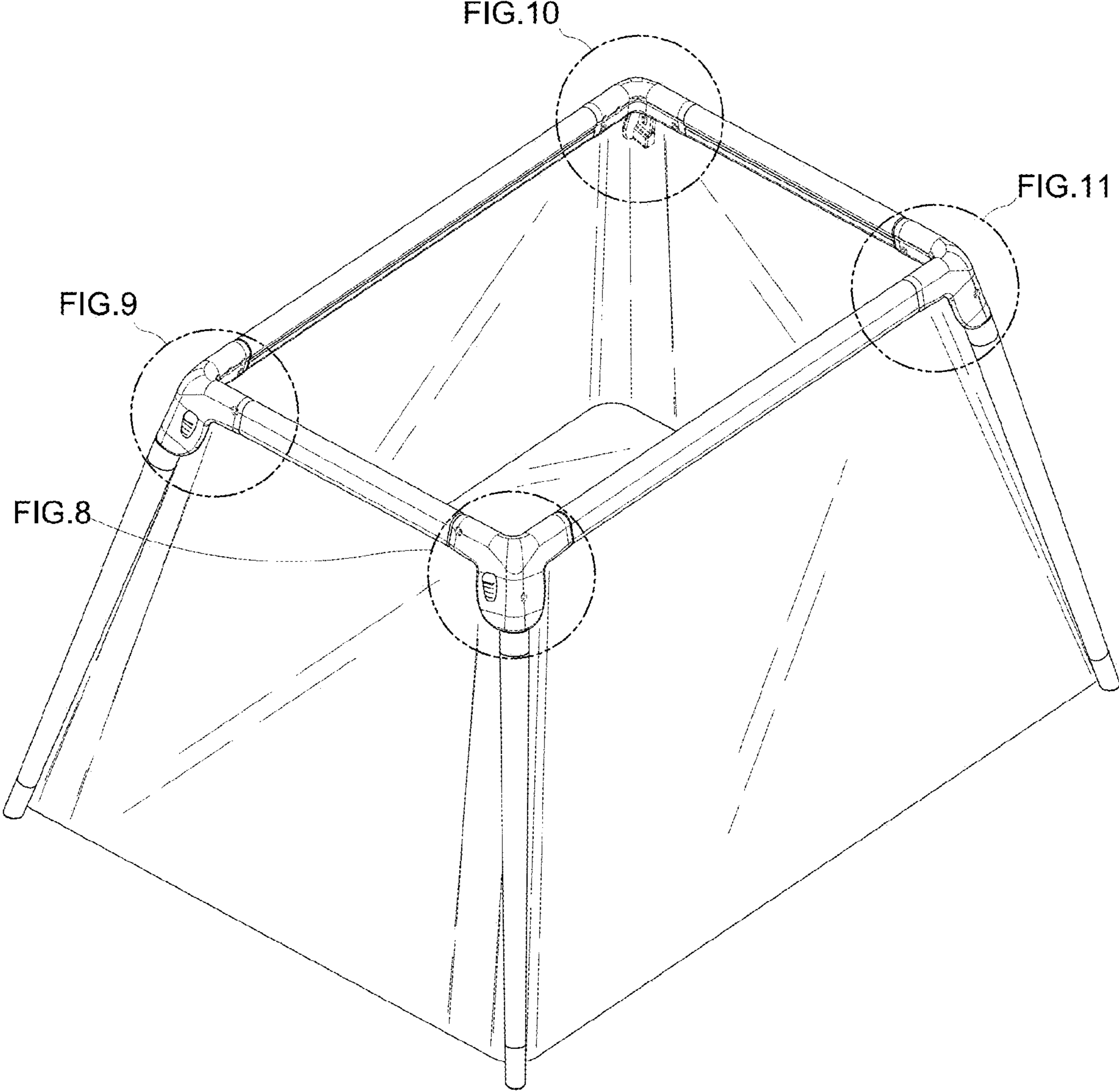


FIG.1

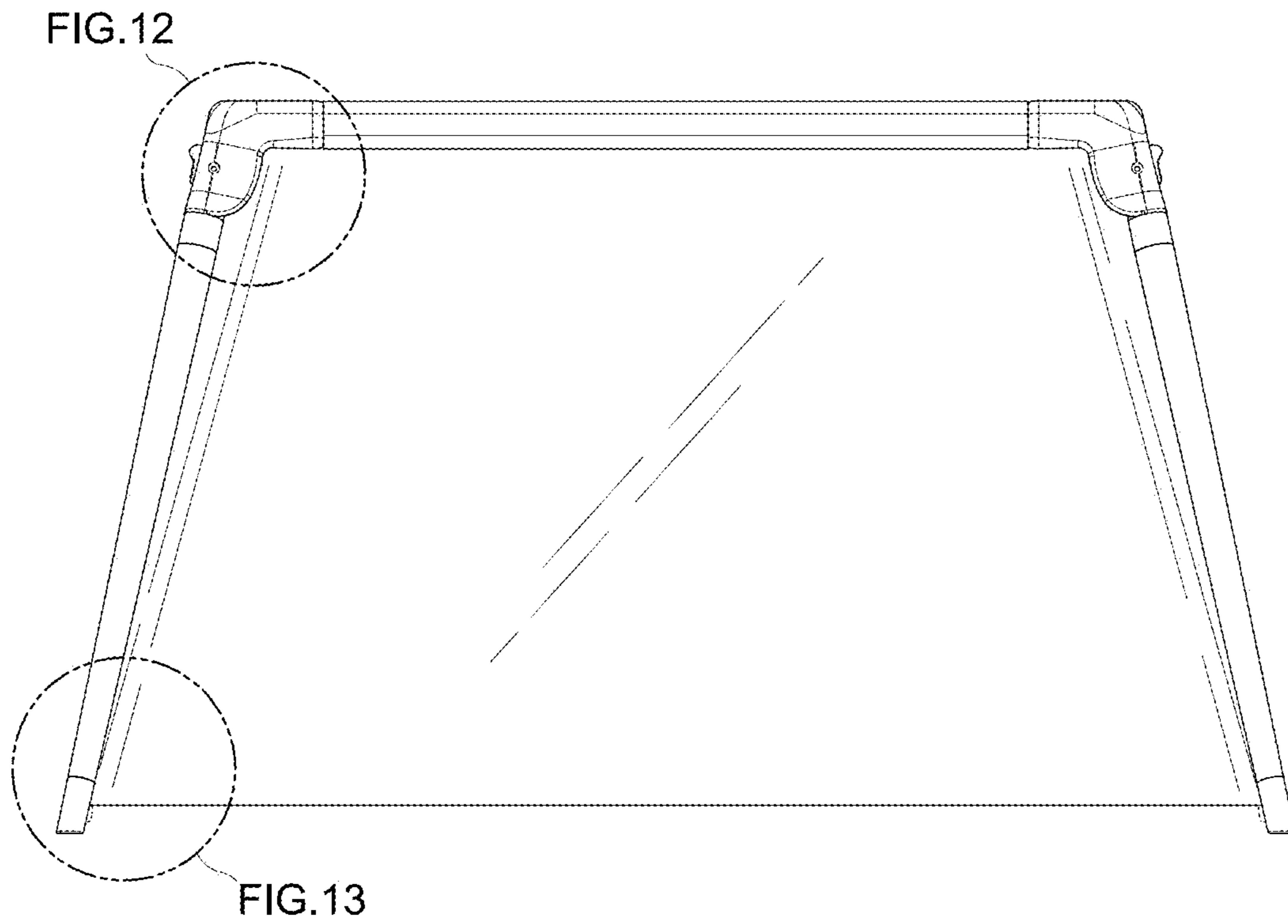


FIG.2

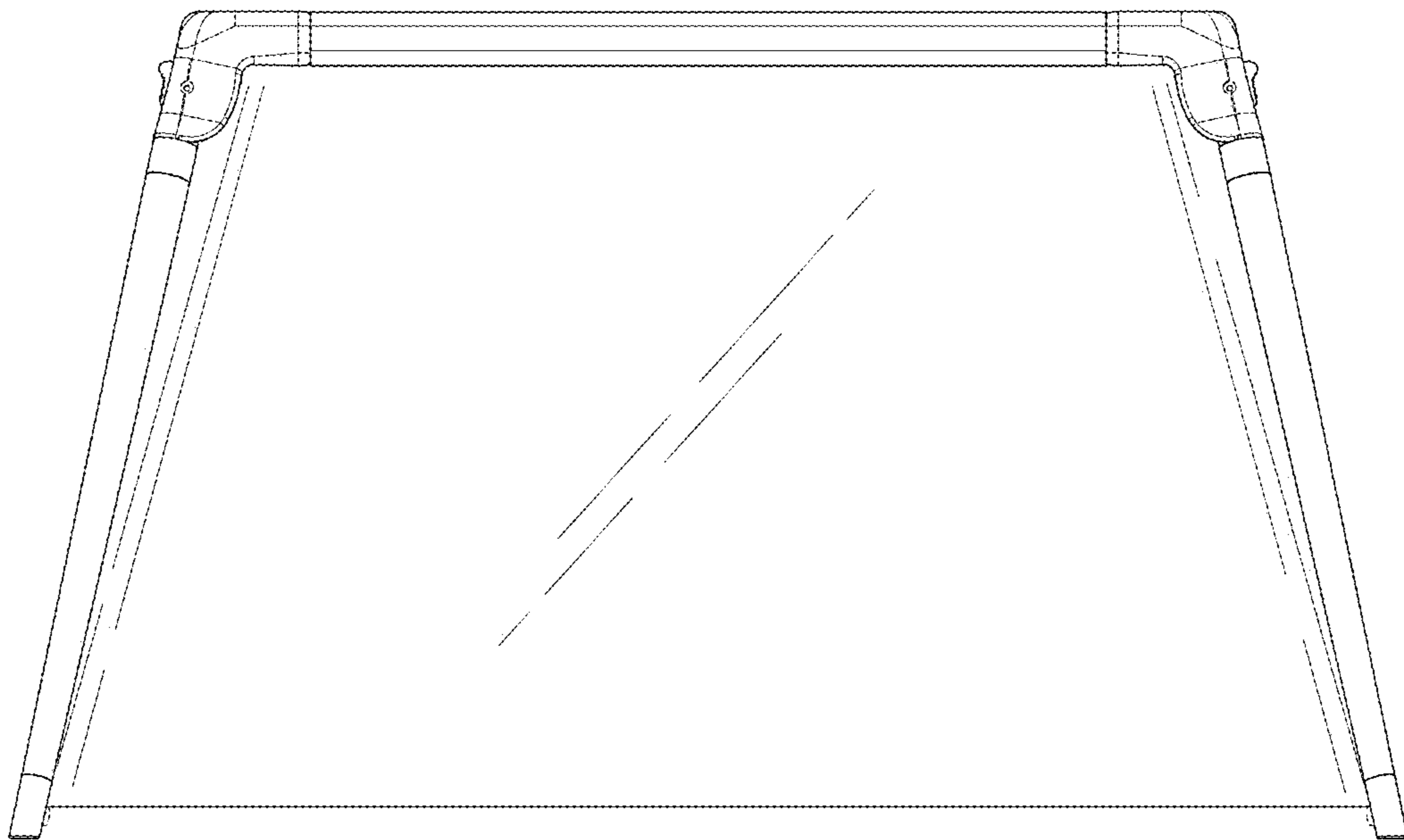


FIG.3

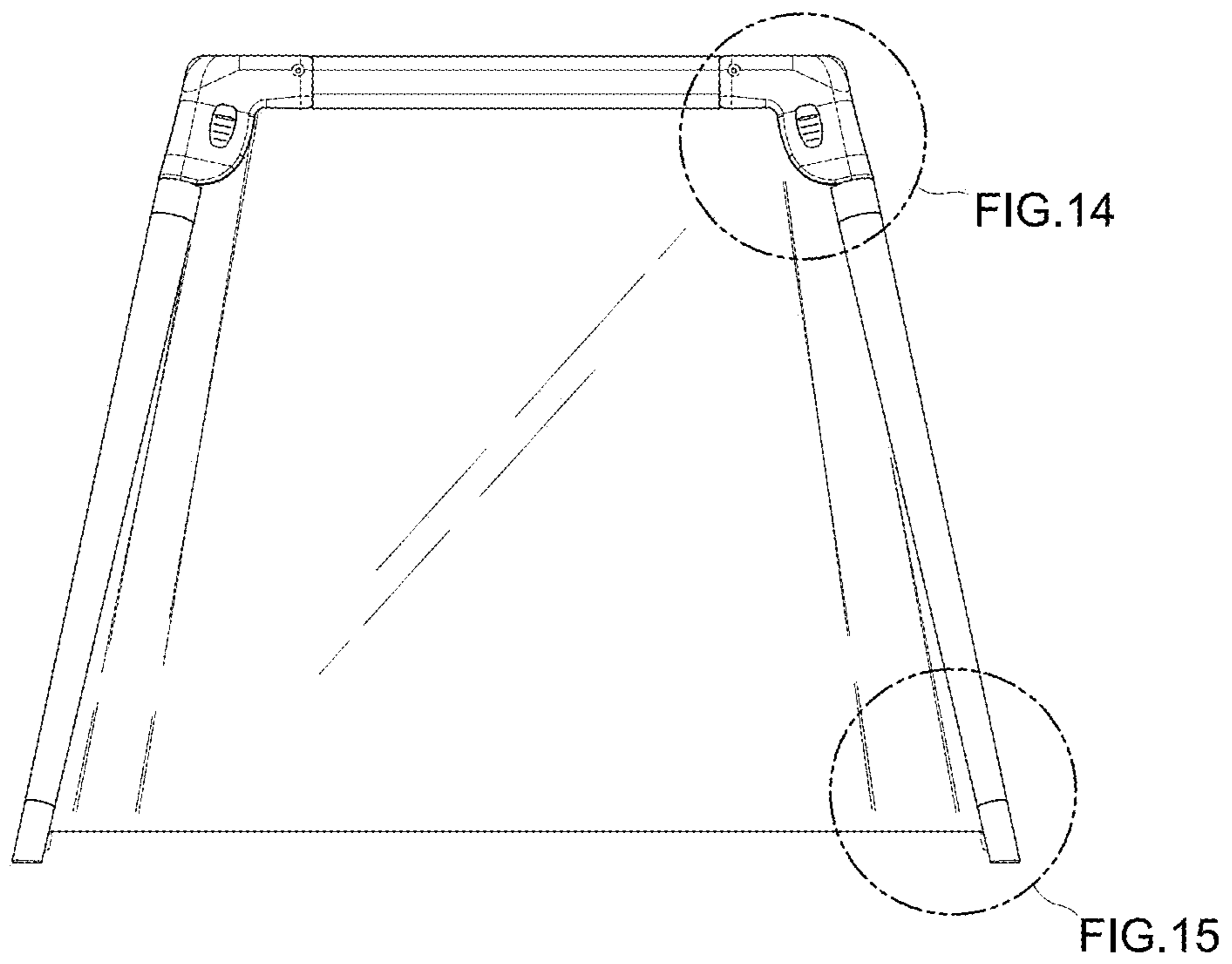


FIG.4

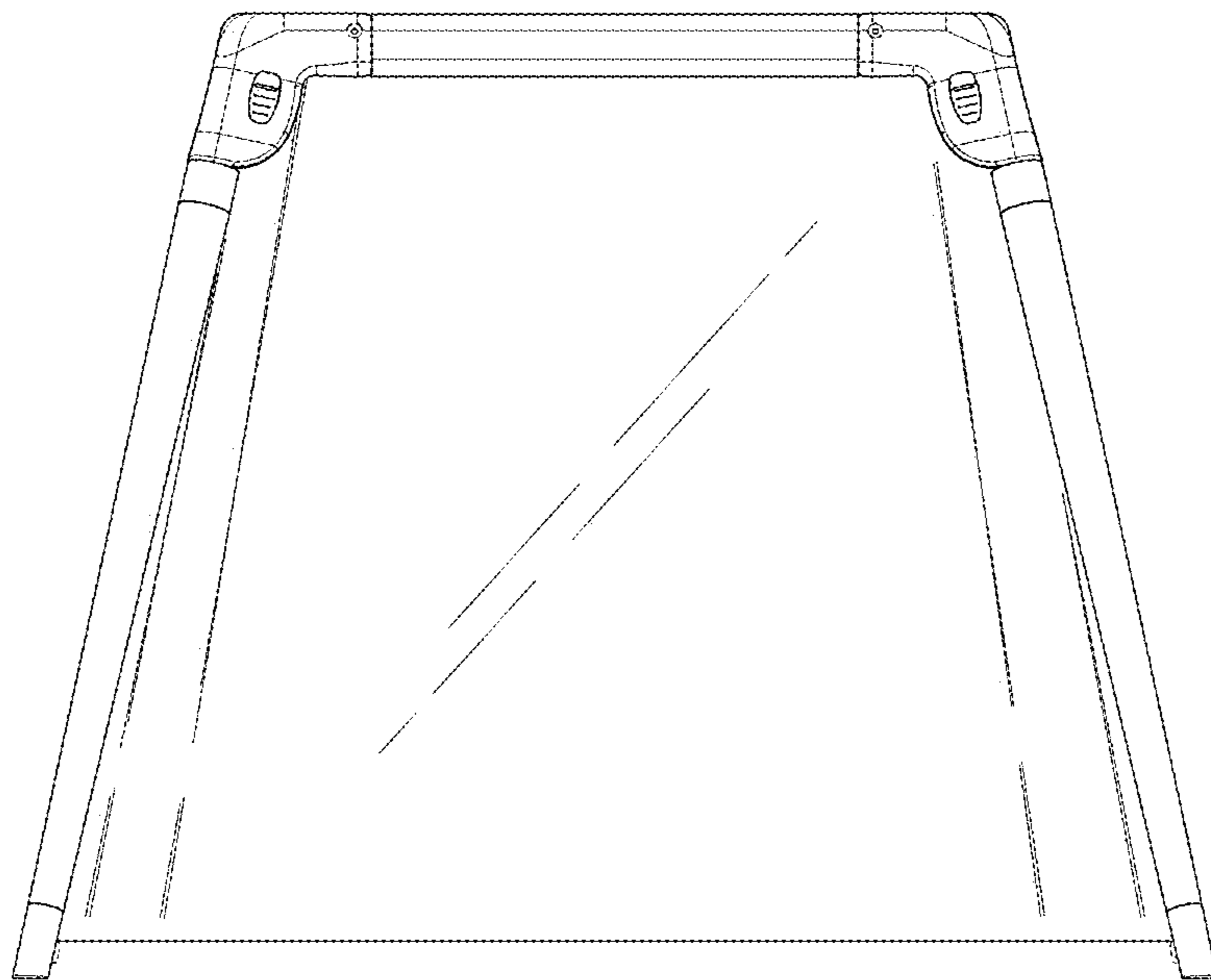


FIG.5

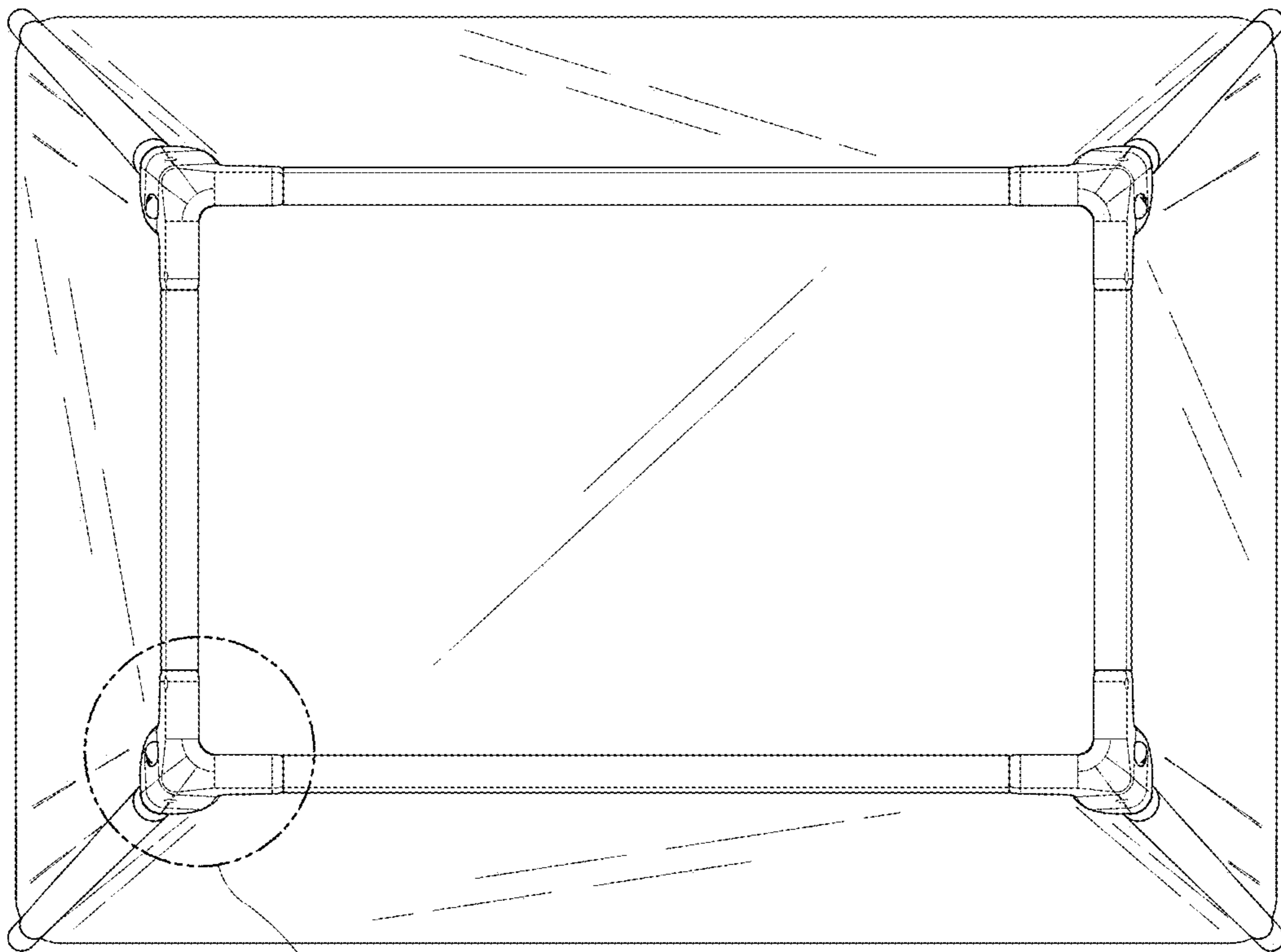


FIG.16

FIG.6

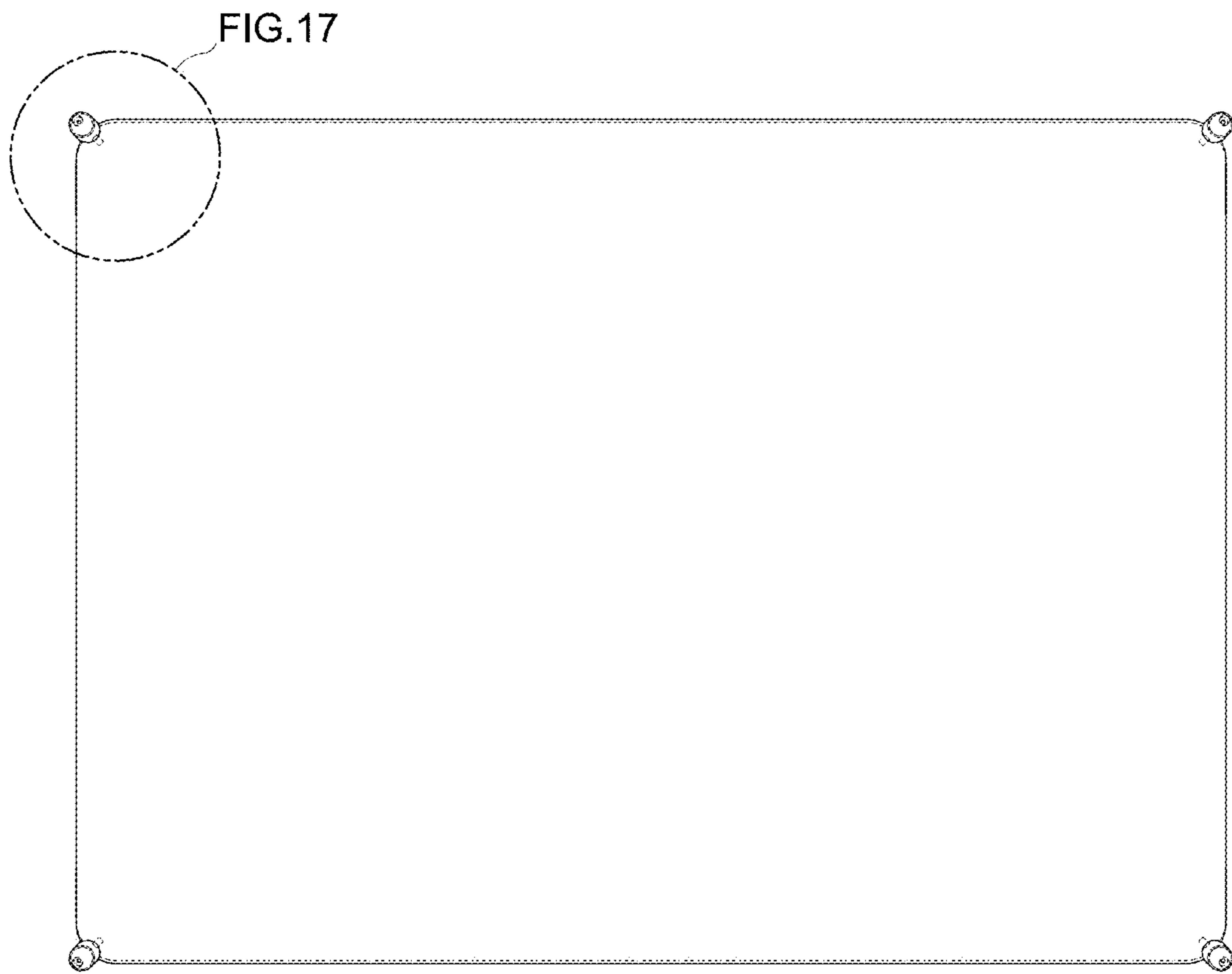


FIG. 7

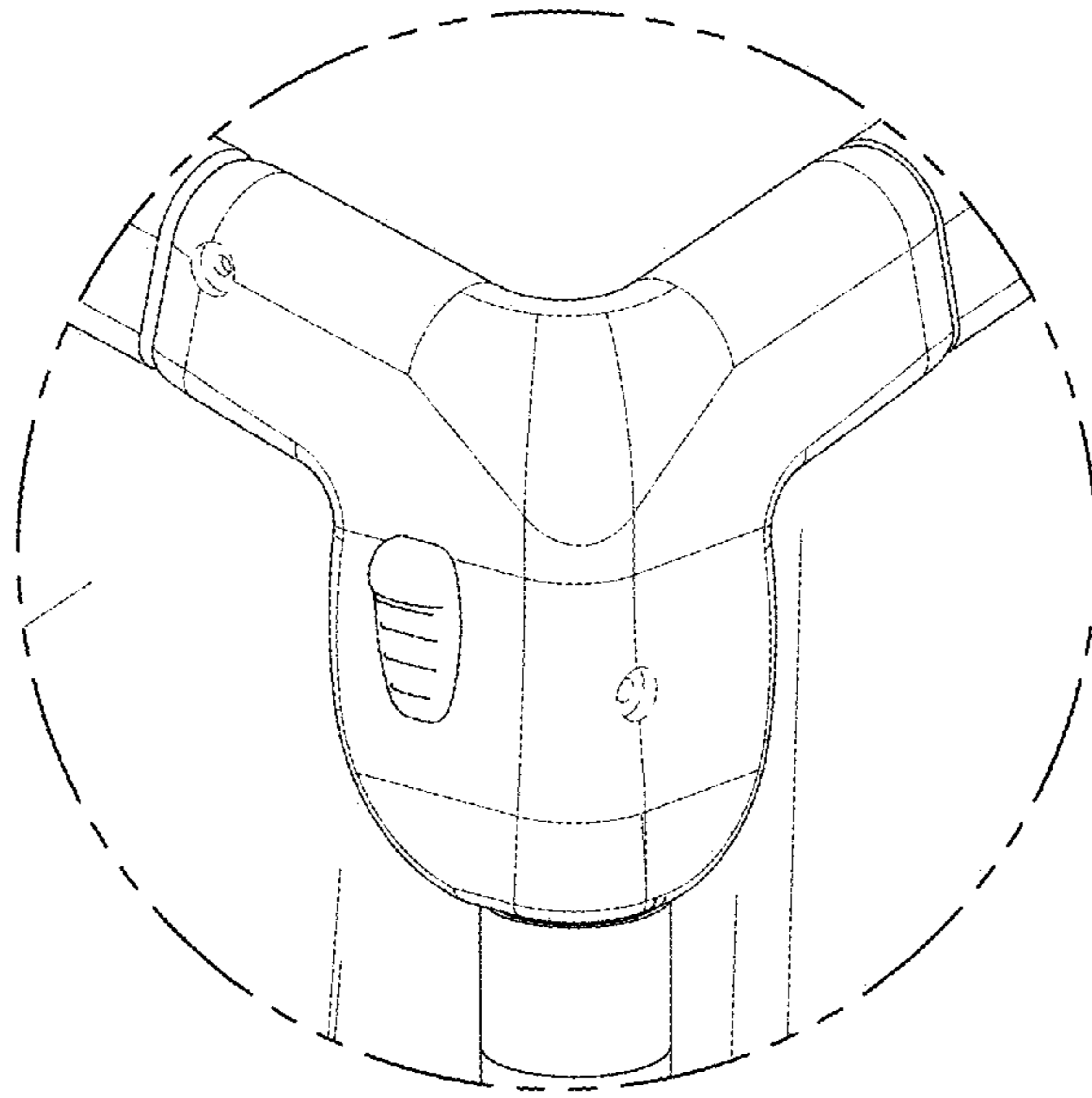


FIG. 8

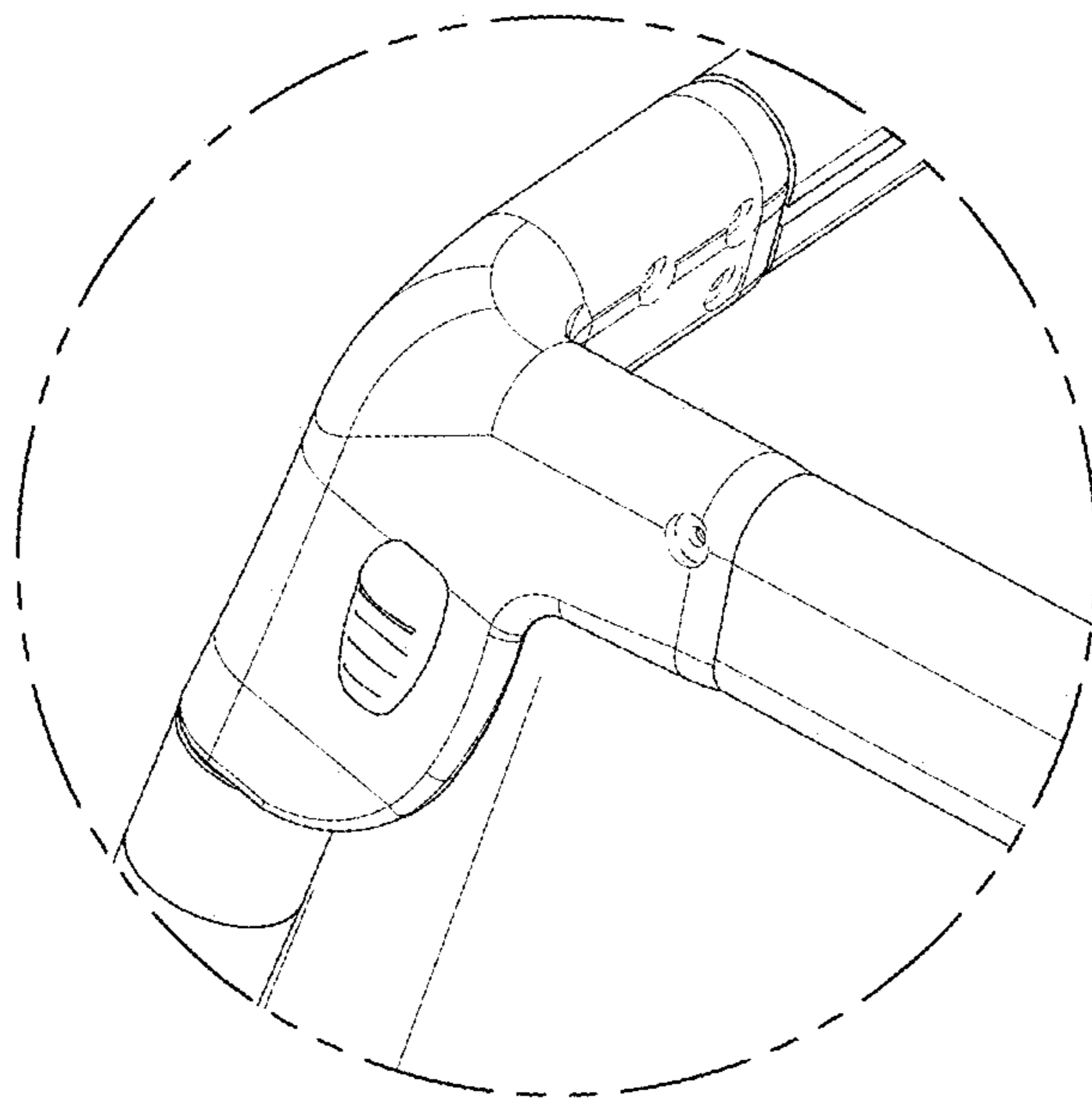


FIG. 9

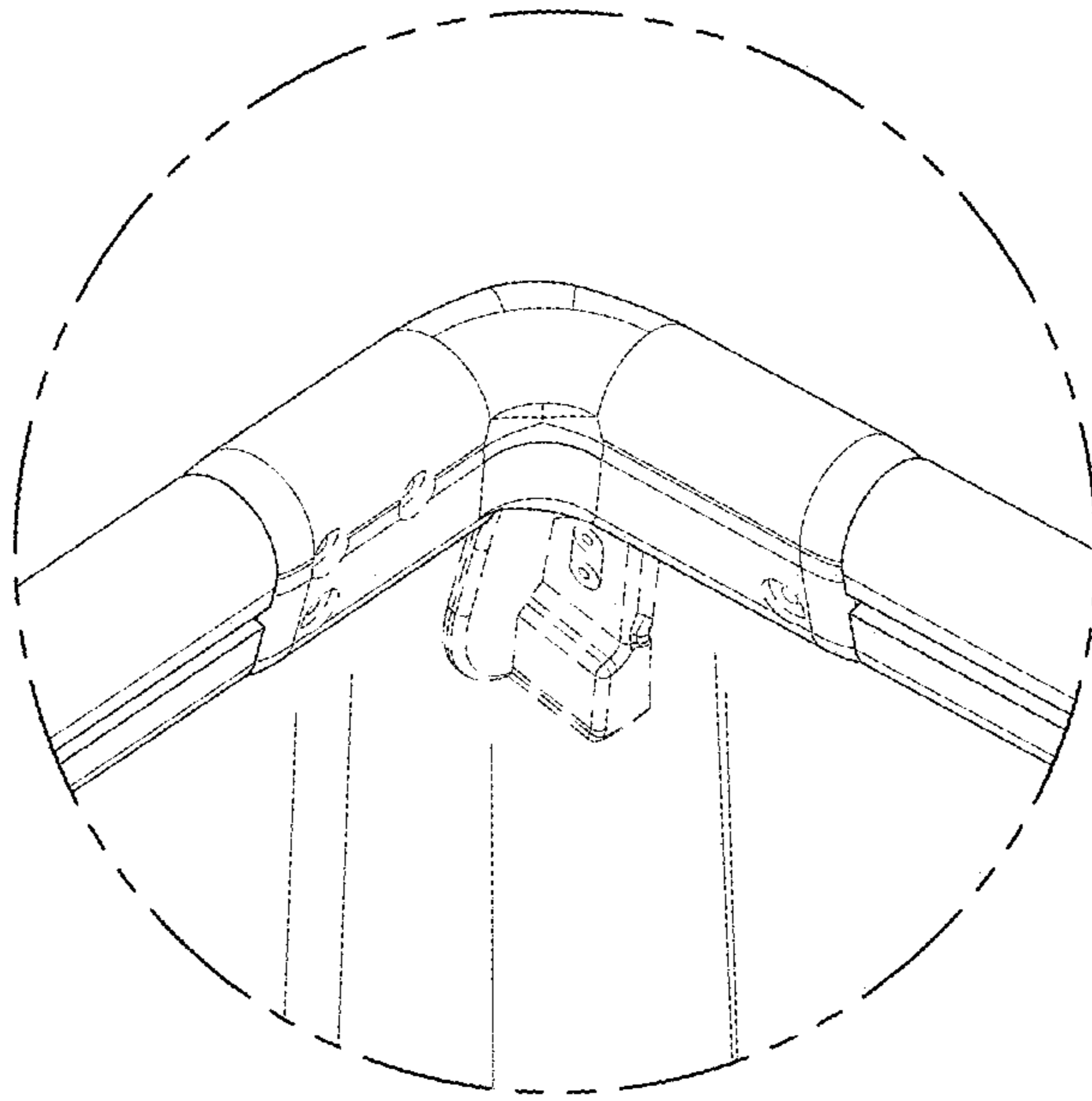


FIG.10

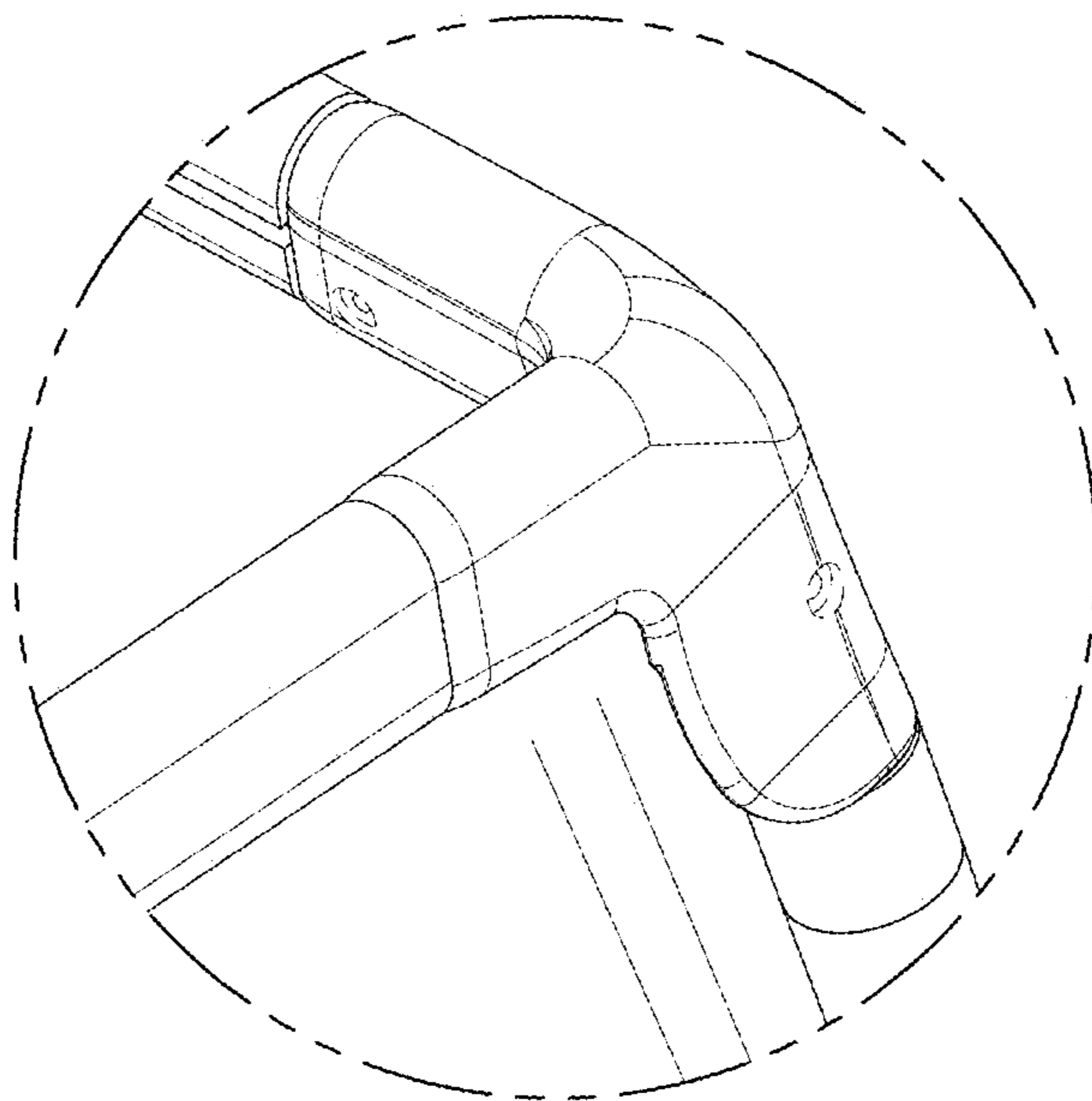


FIG.11

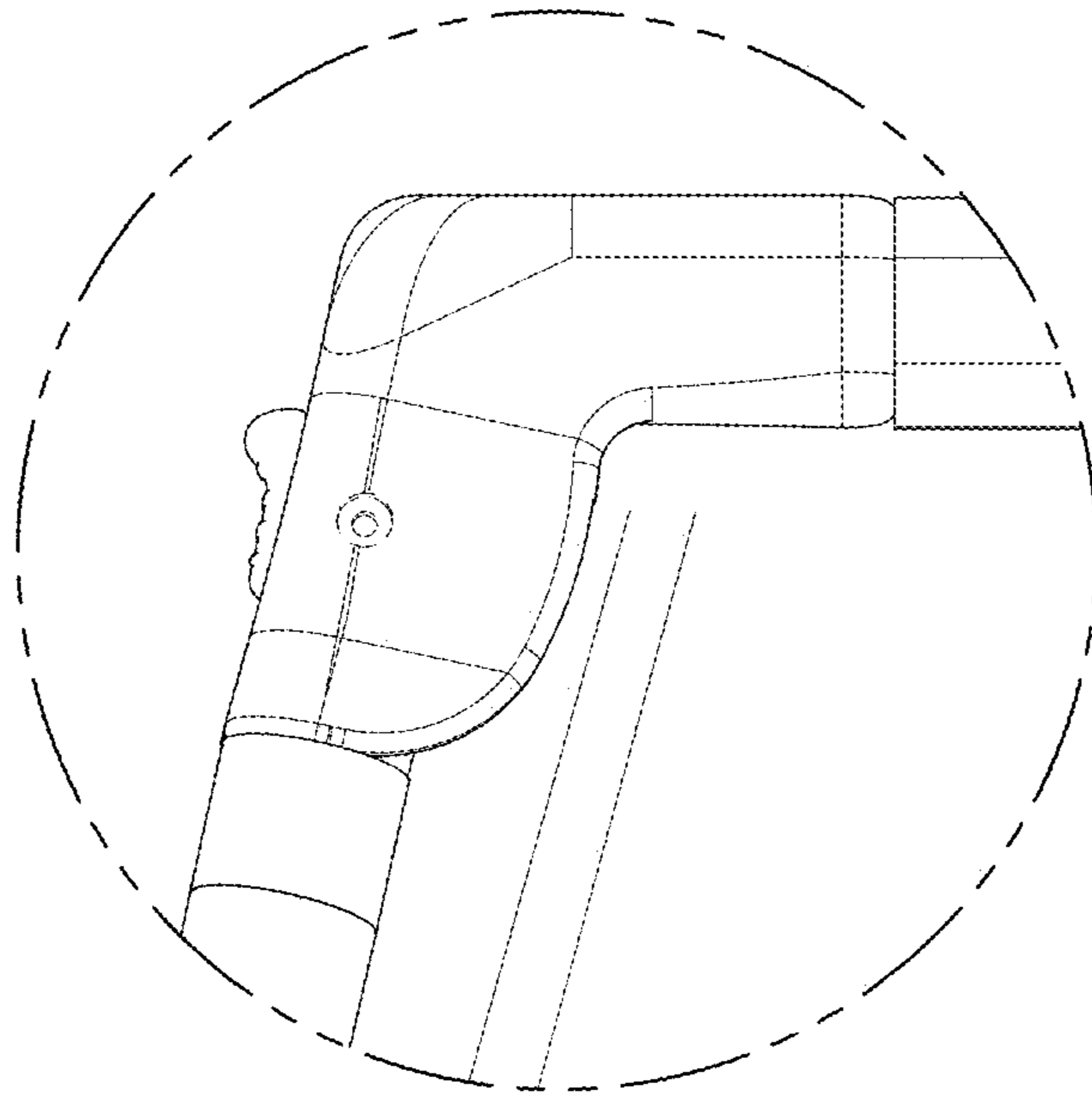


FIG.12

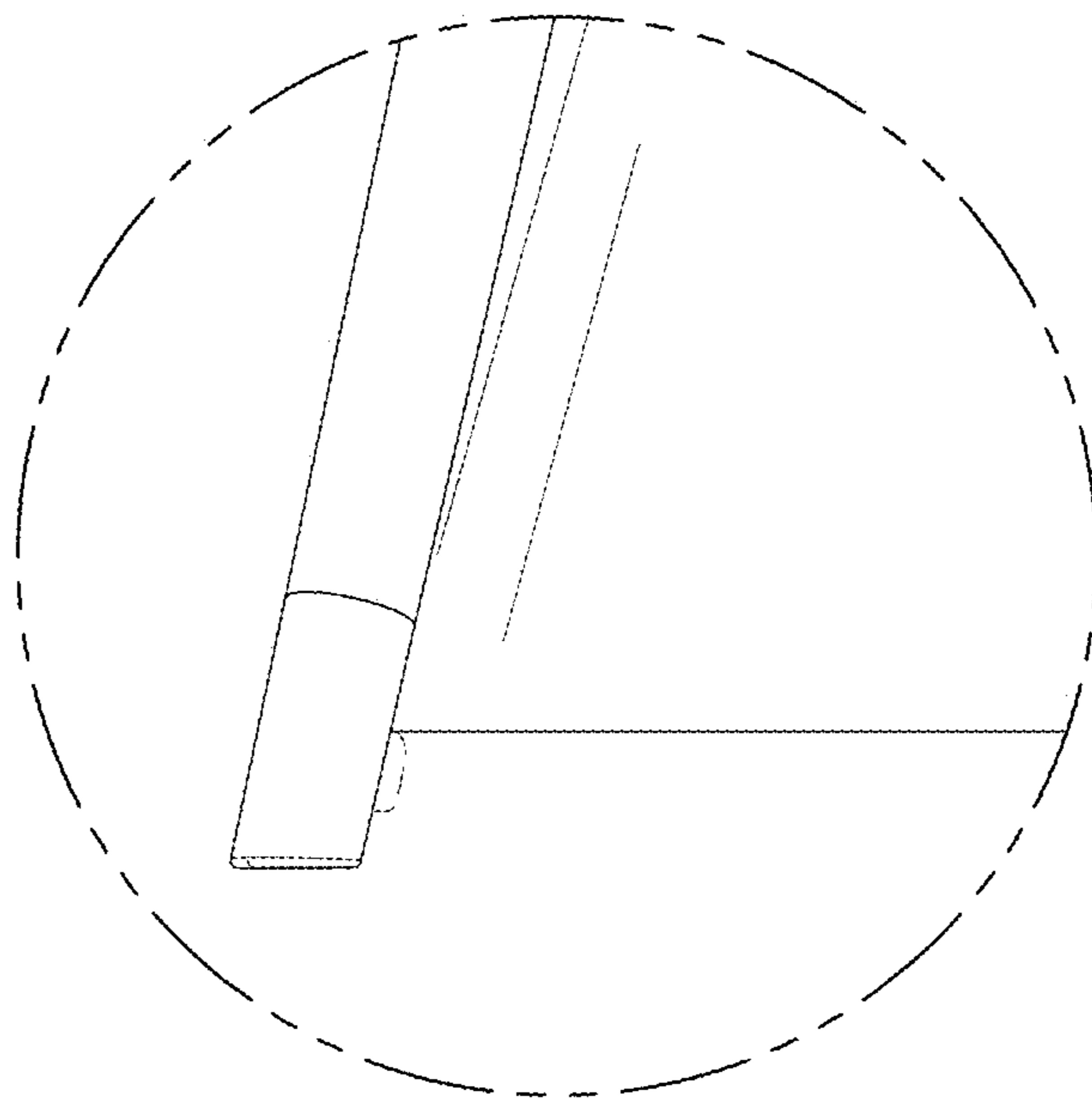


FIG.13

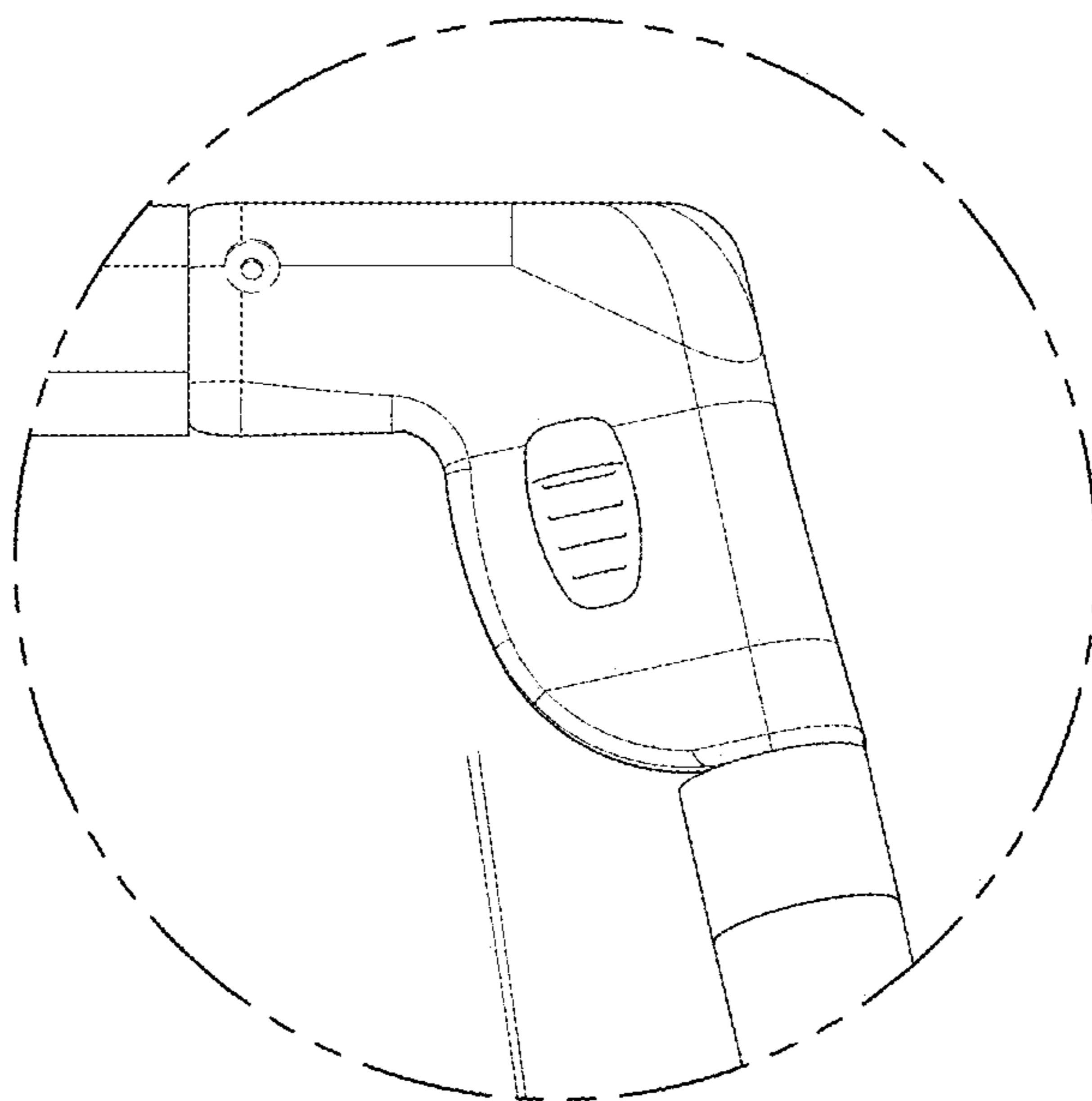


FIG.14

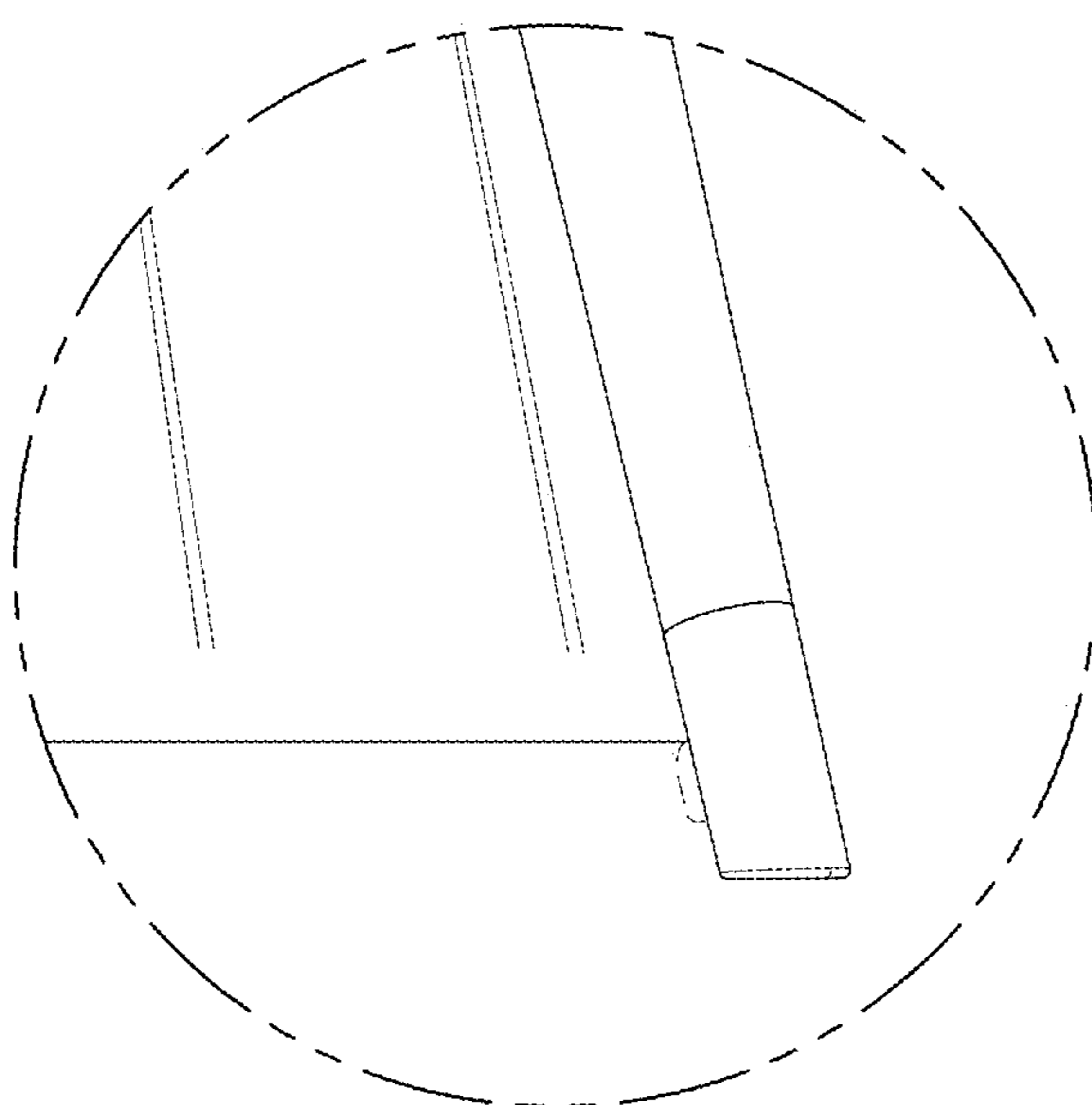


FIG.15

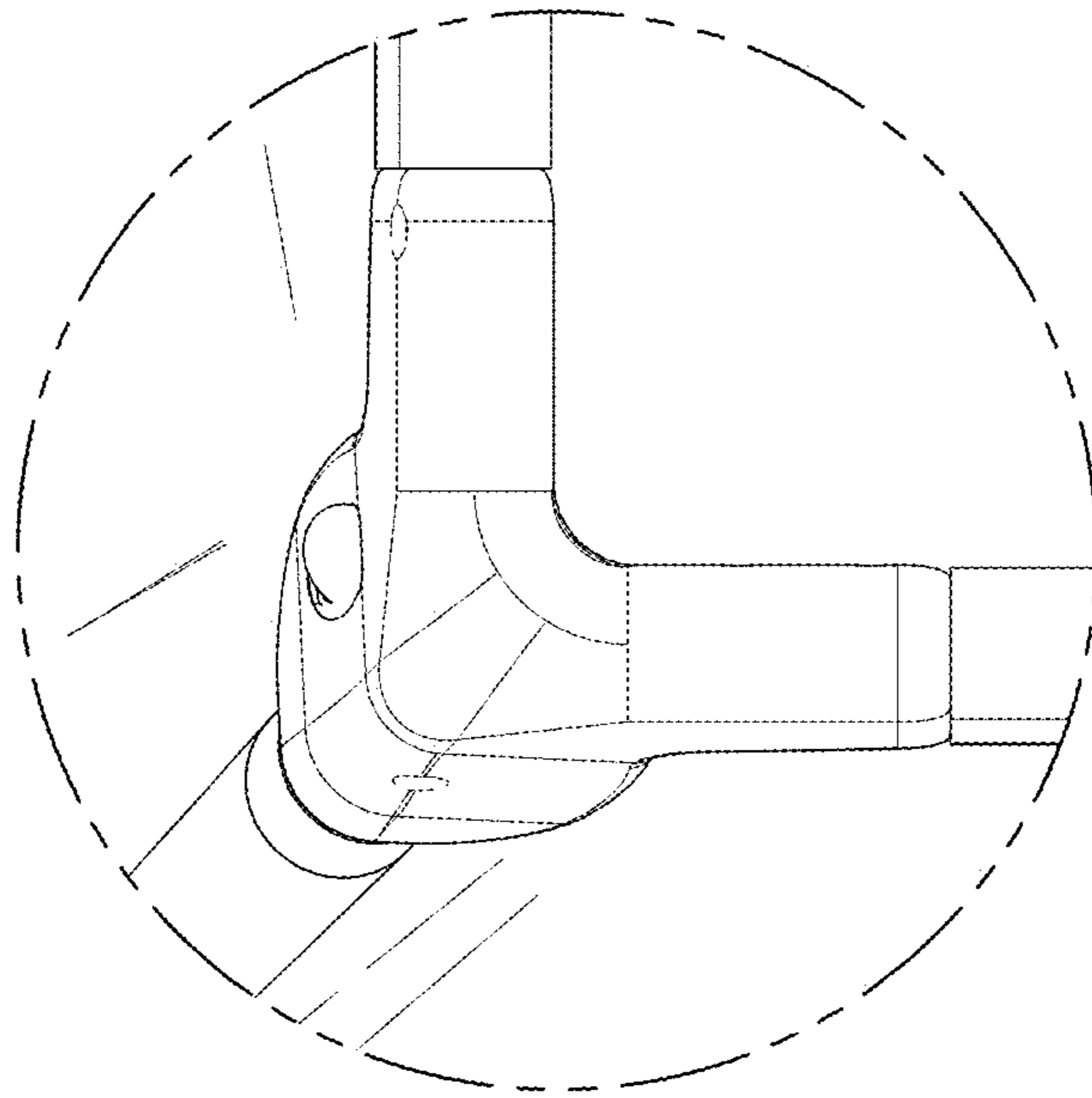


FIG.16

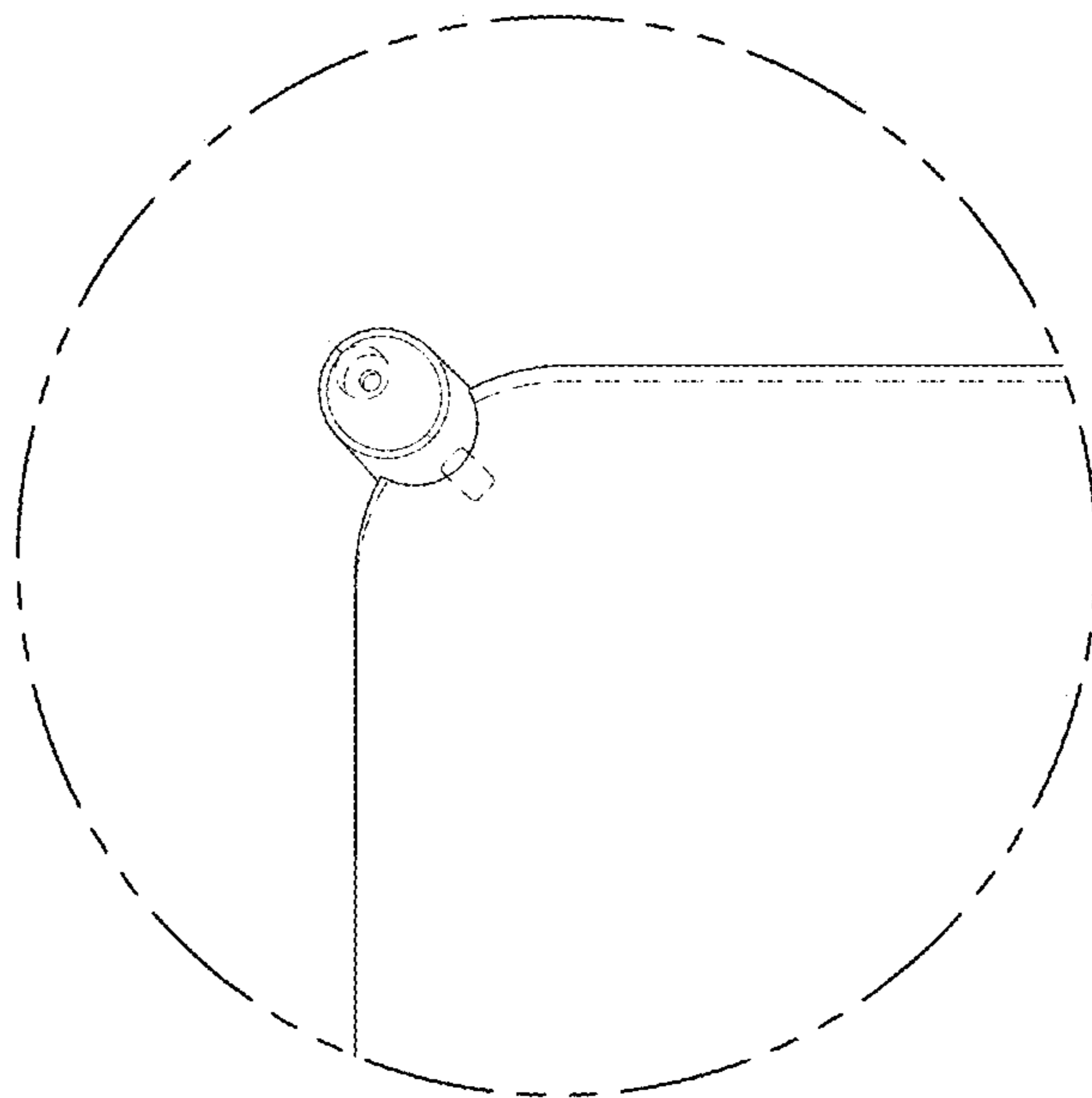


FIG.17