



US00D922084S

(12) **United States Design Patent**  
**Fan**

(10) **Patent No.:** **US D922,084 S**

(45) **Date of Patent:** **\*\* Jun. 15, 2021**

(54) **STOOL**

(71) Applicant: **ZHENGHE RUICHANG ARTS & CRAFTS CO., LTD.**, Nanping (CN)

(72) Inventor: **Bangrui Fan**, Nanping (CN)

(73) Assignee: **ZHENGHE RUICHANG ARTS & CRAFTS CO., LTD.**, Nanping (CN)

(\*\*) Term: **15 Years**

(21) Appl. No.: **29/745,627**

(22) Filed: **Aug. 7, 2020**

(51) **LOC (13) Cl.** ..... **06-01**

(52) **U.S. Cl.**  
USPC ..... **D6/349; D6/370**

(58) **Field of Classification Search**  
USPC ..... D6/349–353, 334, 354–355, 370, 716.6  
CPC ..... A47C 16/02–04  
See application file for complete search history.

(56) **References Cited**

**U.S. PATENT DOCUMENTS**

D225,493 S *	12/1972	Rossi	.....	D25/65
D355,546 S *	2/1995	Hewitt	.....	D6/349
D365,693 S *	1/1996	Jones	.....	D6/349
D376,923 S *	12/1996	Jones	.....	D6/349
D693,585 S *	11/2013	Pedersen	.....	D6/355
D703,453 S *	4/2014	Gelman	.....	D6/349
D718,944 S *	12/2014	Hsu	.....	D6/353
D749,865 S *	2/2016	Moffat	.....	D6/353
D761,032 S *	7/2016	Asner	.....	D6/370
D779,843 S *	2/2017	Cohen	.....	D6/349
D779,844 S *	2/2017	Cohen	.....	D6/349
D780,469 S *	3/2017	Cohen	.....	D6/349
D790,869 S *	7/2017	Cohen	.....	D6/349

D790,870 S *	7/2017	Cohen	.....	D6/355
D800,467 S *	10/2017	Galiotto	.....	D6/370
D819,354 S *	6/2018	Harman	.....	D6/370
D864,601 S *	10/2019	Wihlborg	.....	D6/349

**OTHER PUBLICATIONS**

Zhuoyue Bamboo Shower Bench Chair—Waterproof Shower Chair Bench Seat Stool with Arms for Bathroom. [online] First available Dec. 22, 2019. Retrieved Dec. 11, 2020 from URL: <https://www.amazon.com/Zhuoyue-Bamboo-Shower-Bench-Chair/dp/B082ZZ4J1P>.\*

OasisSpace Bamboo Shower Bench, 22" Waterproof Shower Chair Seat Stool with Arms, Wooden Spa Bath Organizer Seat, Perfect for Indoor or Outdoor. [online] First available Jul. 24, 2020. Retrieved Dec. 11, 2020 from URL: <https://www.amazon.com/OasisSpace-Waterproof-Organizer-Perfect-Outdoor/dp/B08DK7L41W>.\*

\* cited by examiner

*Primary Examiner* — Vy N Koenig

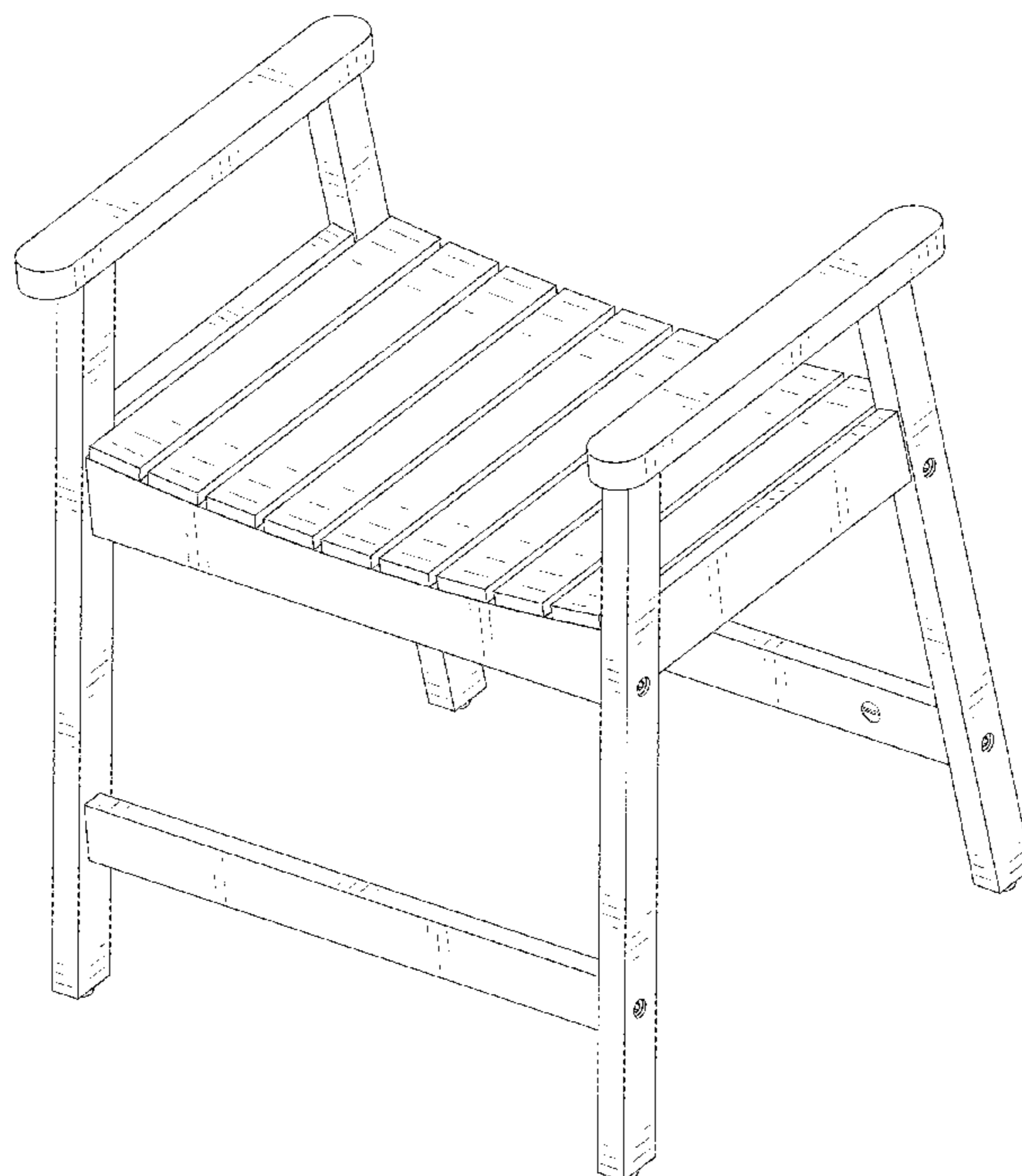
(57) **CLAIM**

The ornamental design for a stool, as shown and described.

**DESCRIPTION**

FIG. 1 is a perspective view of a stool showing my new design;  
FIG. 2 is another perspective view thereof;  
FIG. 3 is a front elevational view thereof;  
FIG. 4 is a rear elevational view thereof;  
FIG. 5 is a left side elevational view thereof;  
FIG. 6 is a right side elevational view thereof;  
FIG. 7 is a top plan view thereof; and,  
FIG. 8 is a bottom plan view thereof.

**1 Claim, 8 Drawing Sheets**



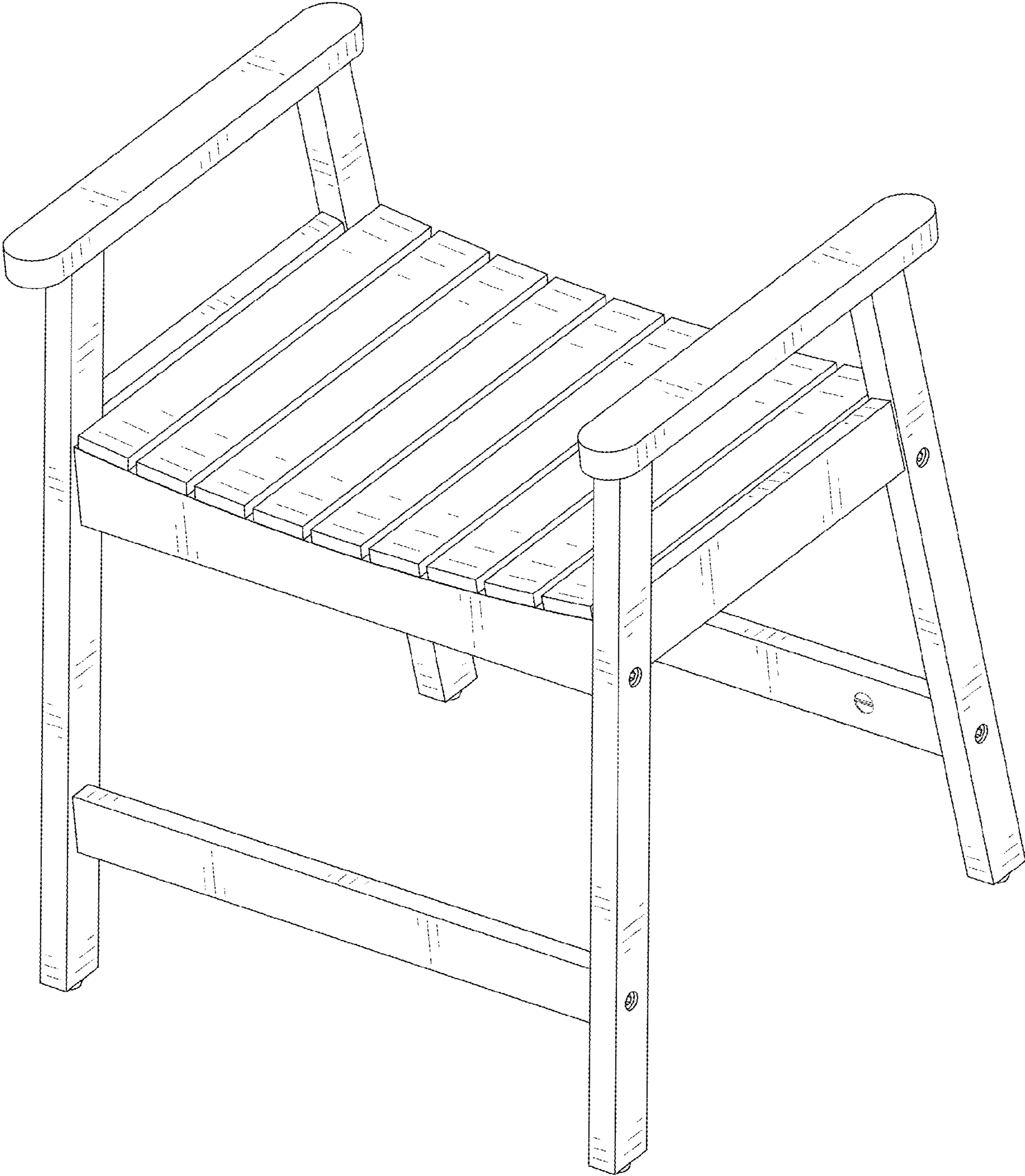


FIG. 1

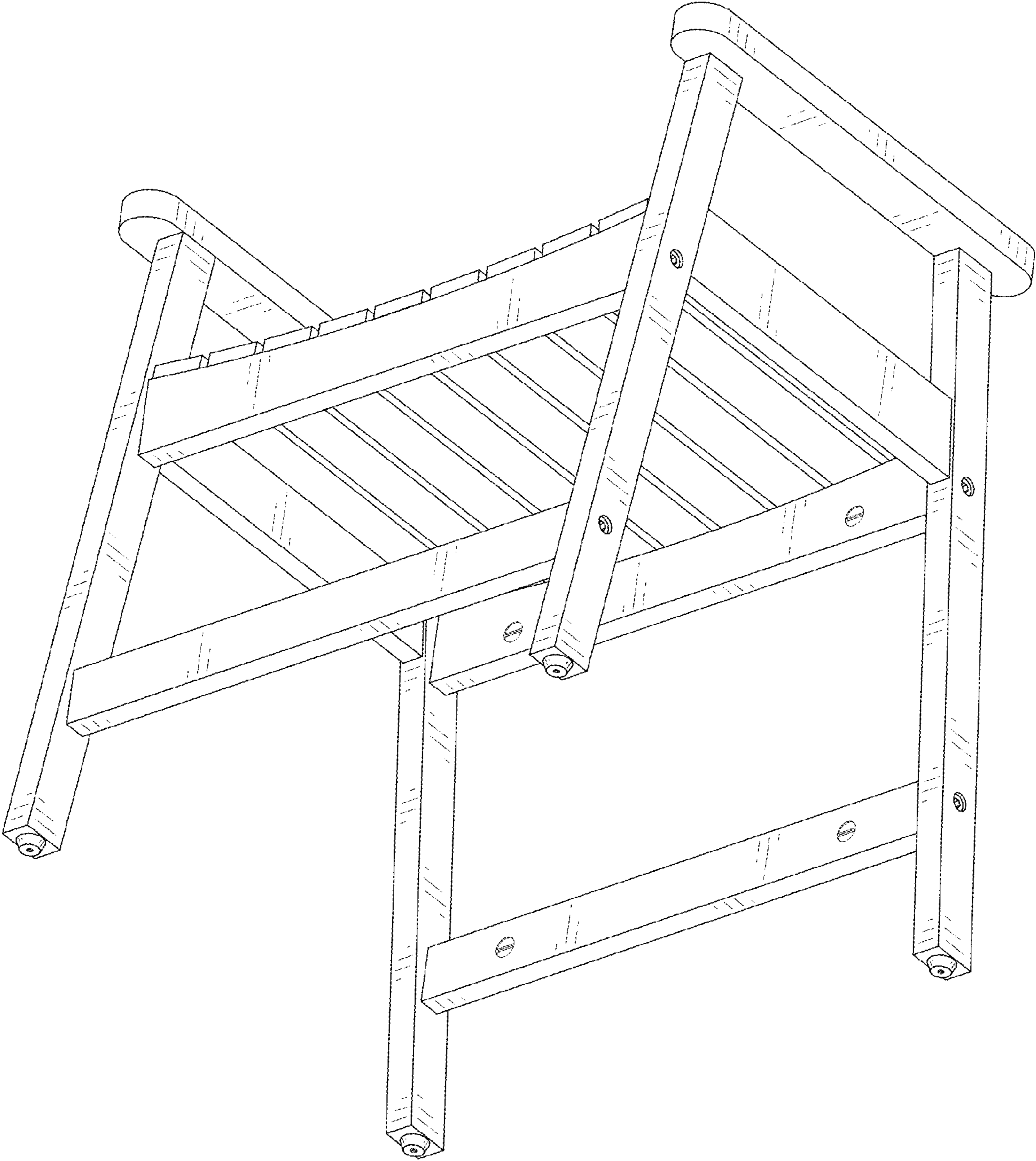


FIG. 2

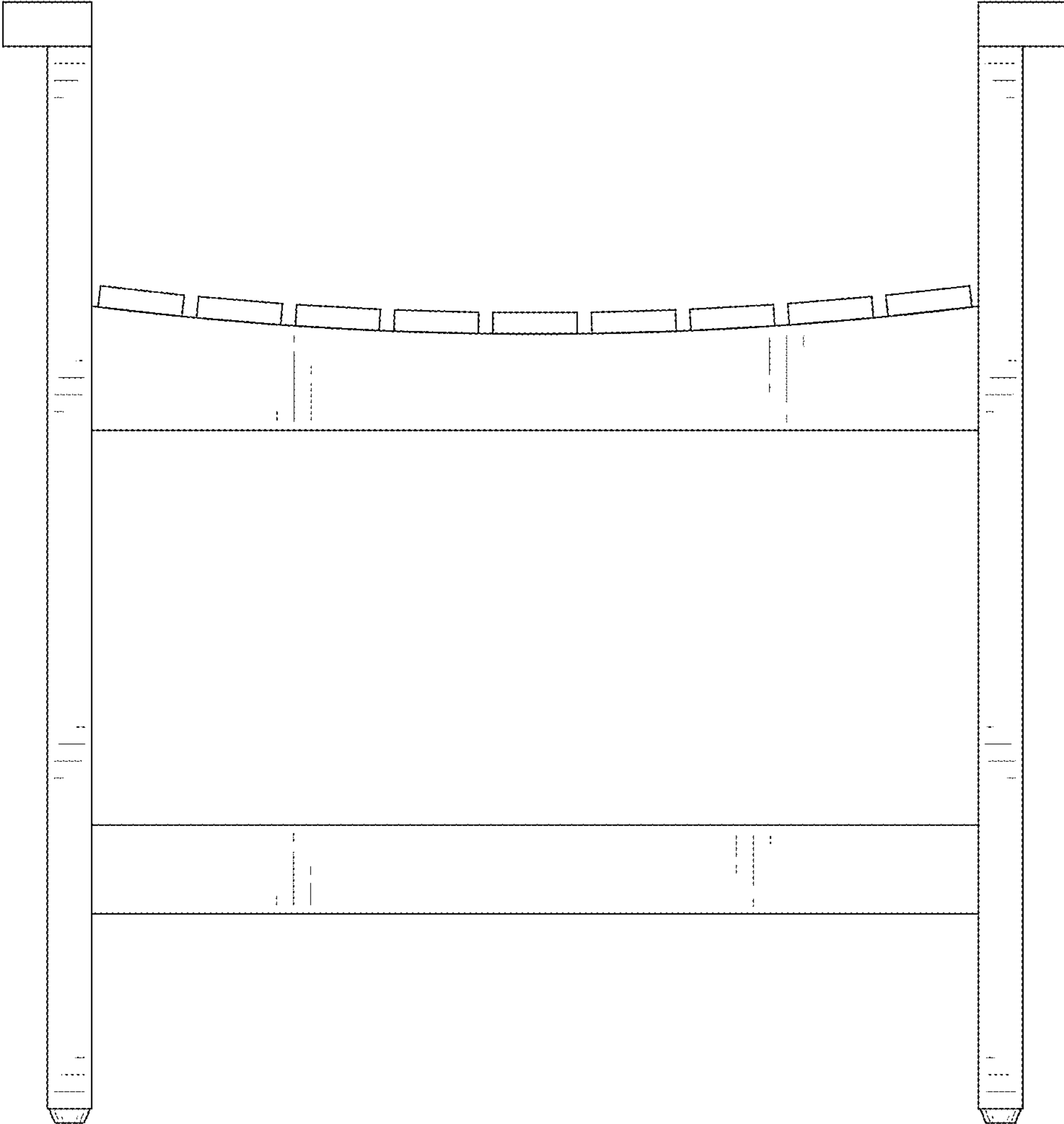


FIG. 3

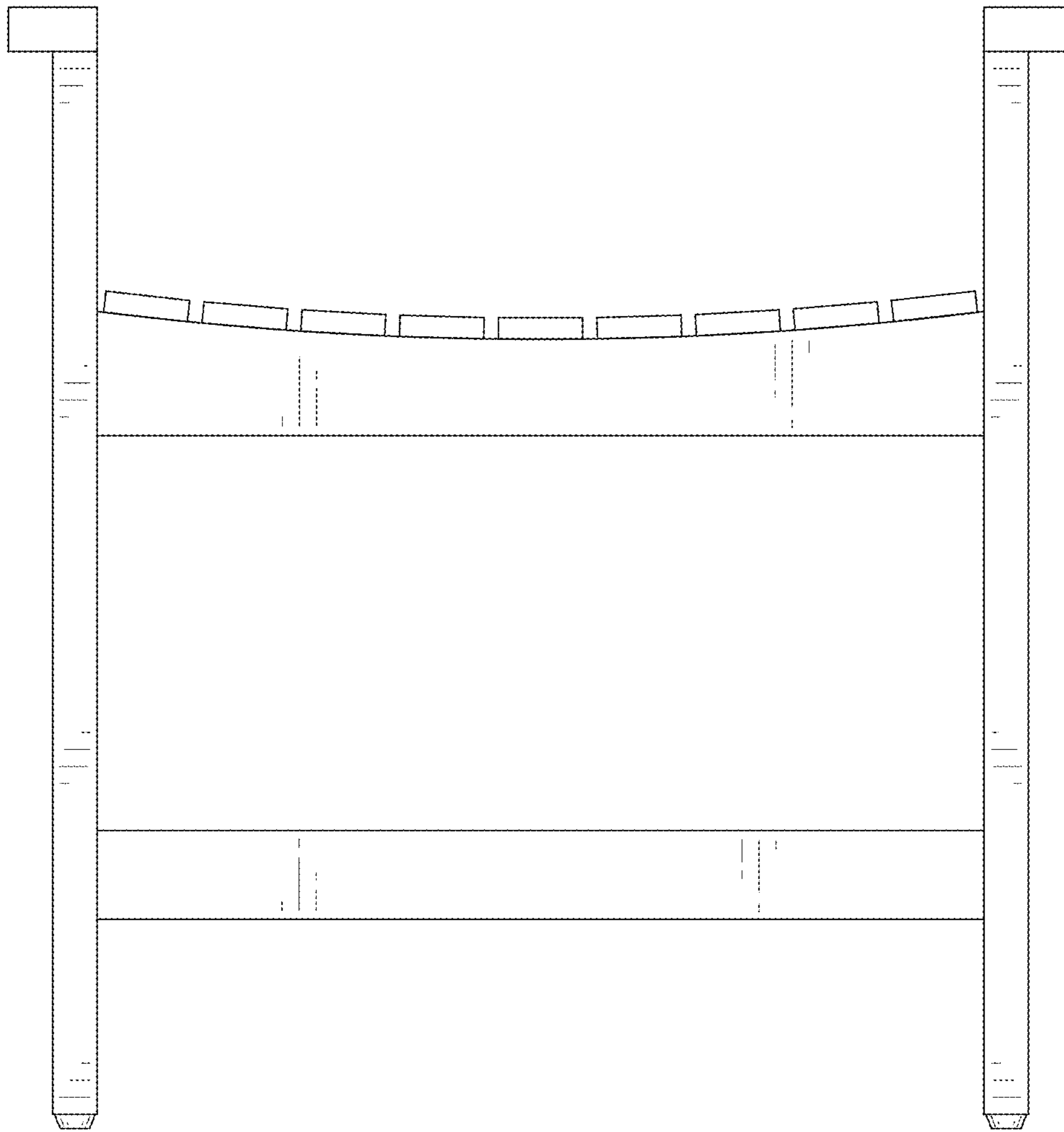


FIG. 4

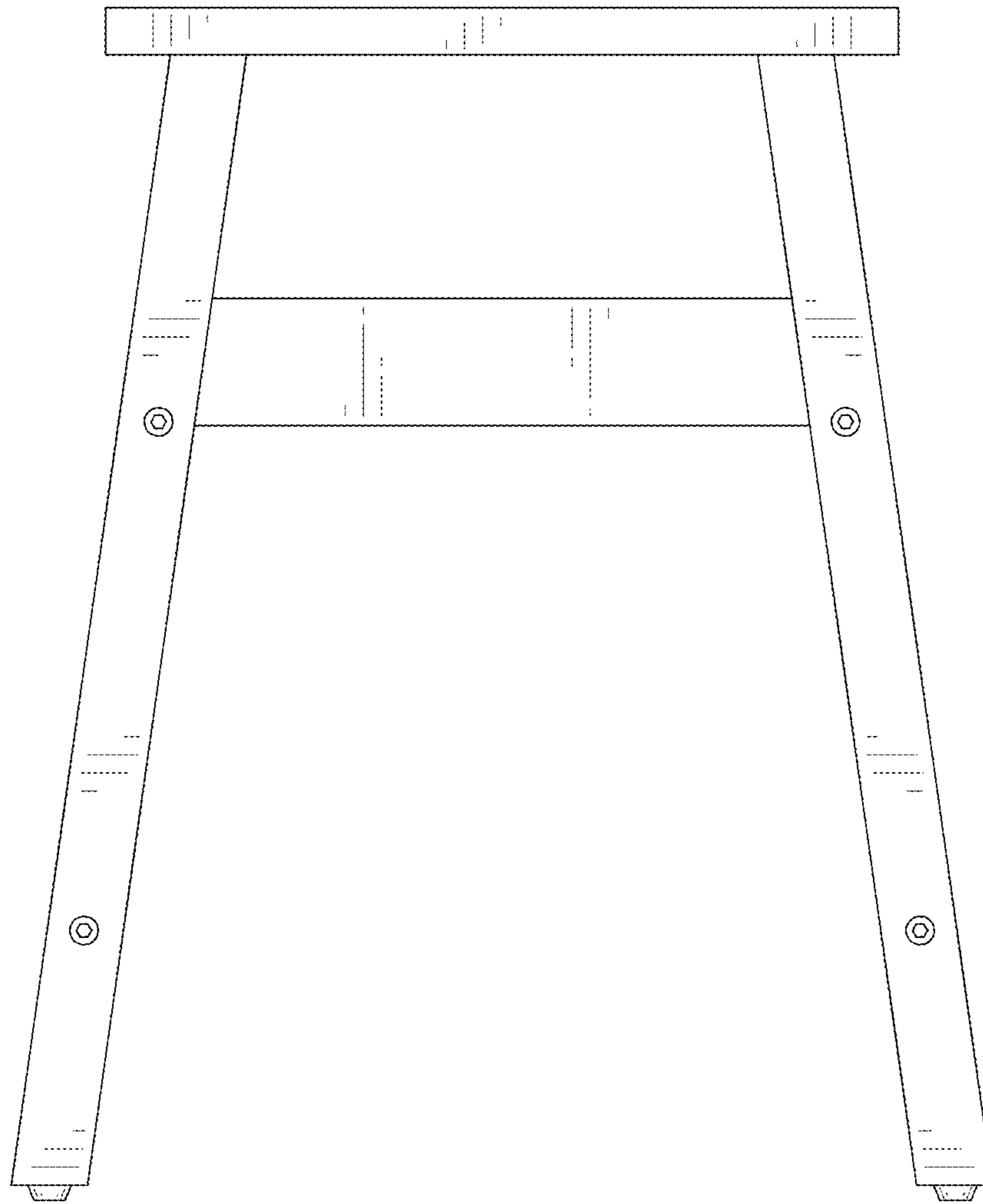


FIG. 5

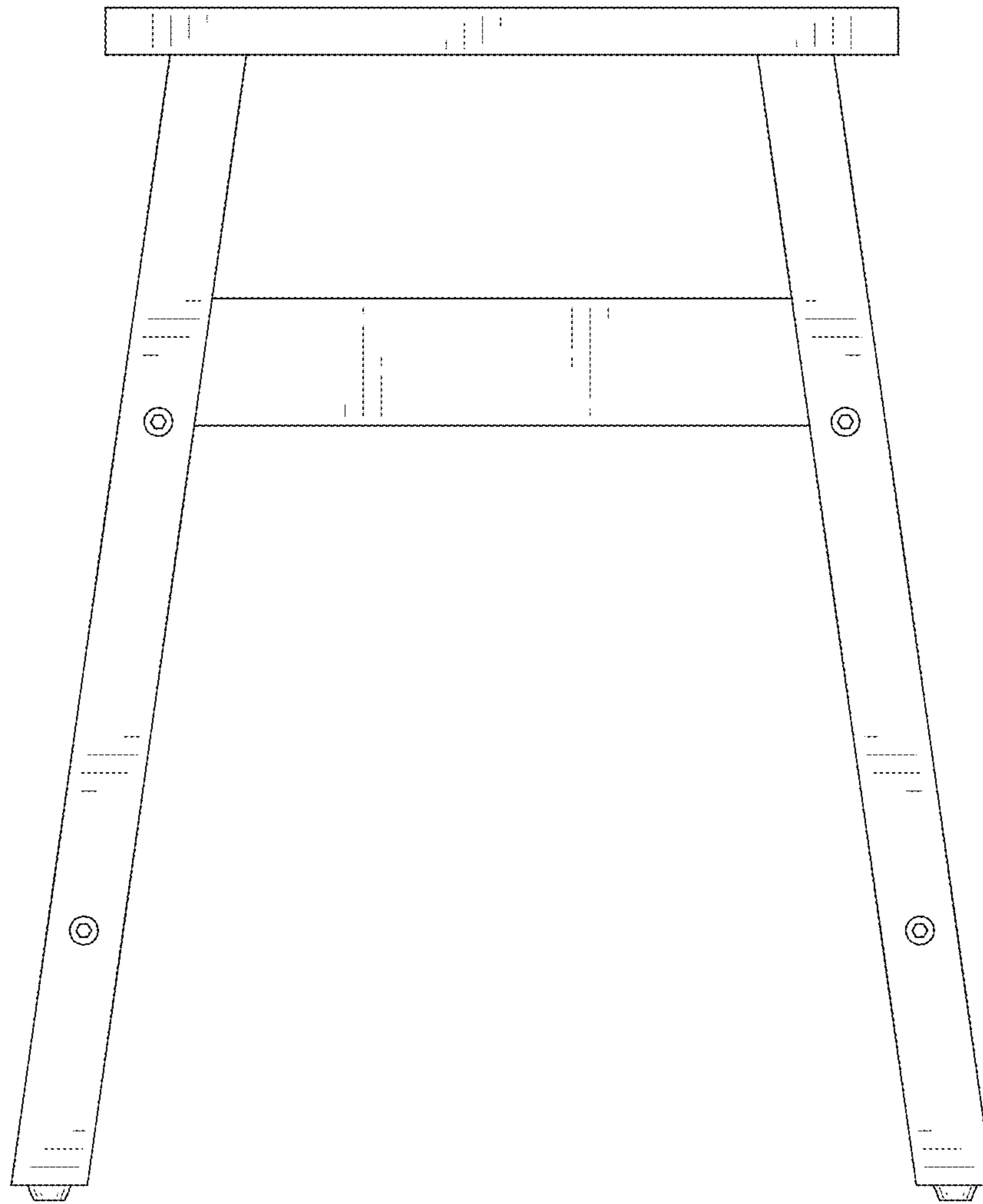


FIG. 6

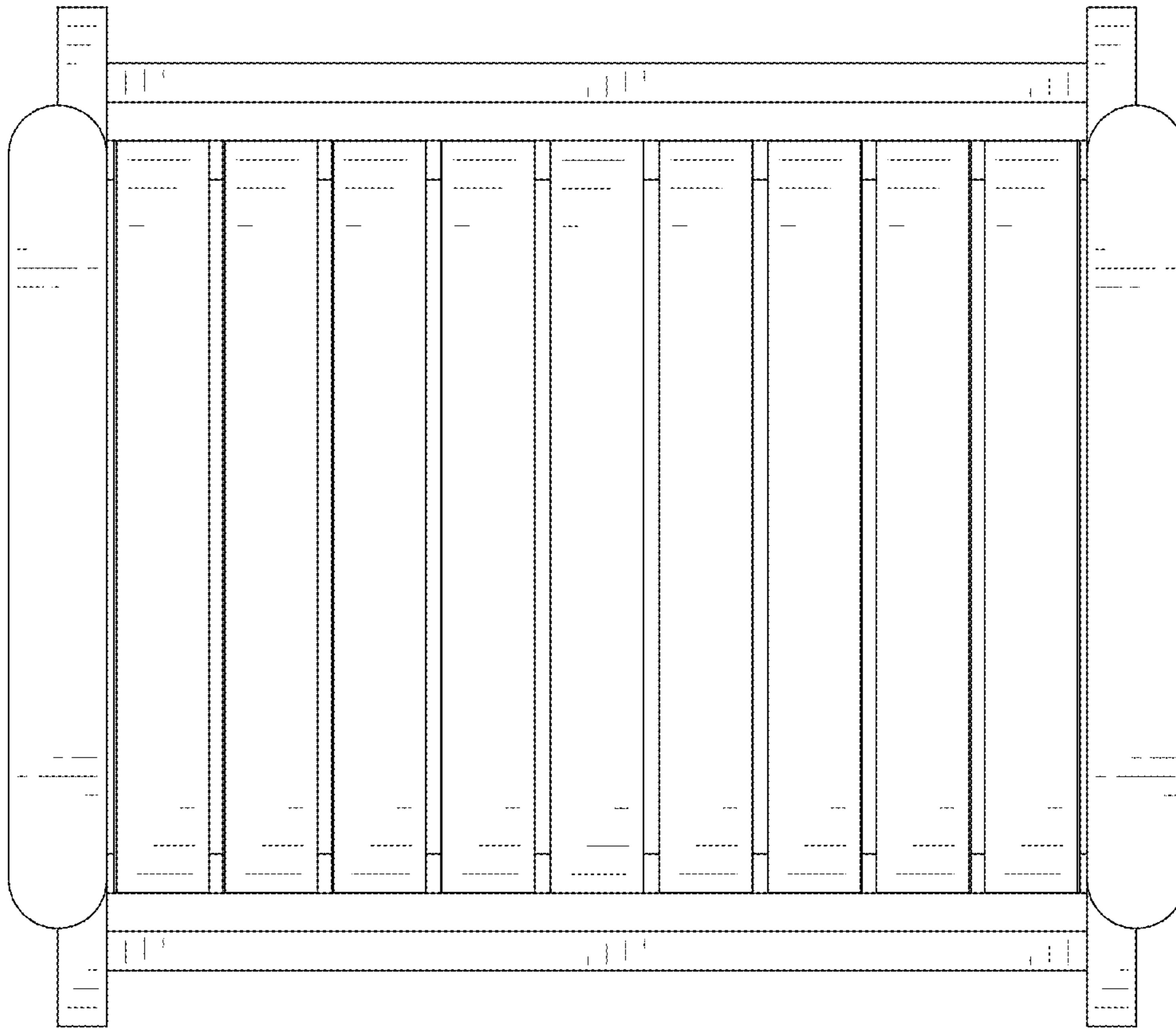


FIG. 7



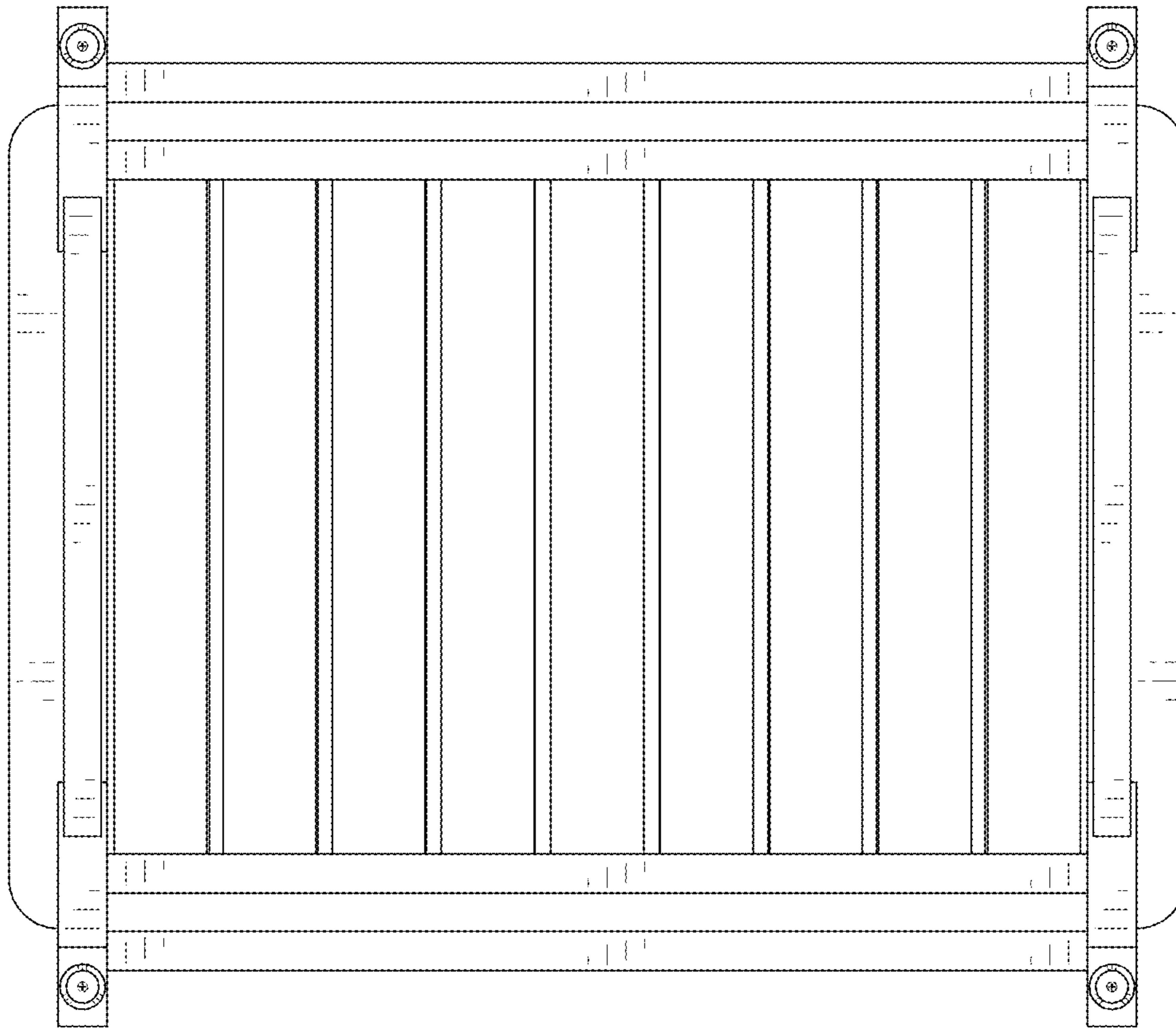


FIG. 8