



US00D922078S

(12) **United States Design Patent**
Deyhim

(10) **Patent No.:** **US D922,078 S**
(45) **Date of Patent:** **** Jun. 15, 2021**

(54) **COMBINED TOOTHBRUSH AND FLOSS DISPENSER**

6,997,191 B2 * 2/2006 Nudo, Sr. A61C 15/046
132/325

7,201,172 B2 4/2007 Nanda

8,601,629 B2 * 12/2013 Gall A46B 13/023
15/22.1

(71) Applicant: **Hilt LLC**, Sacramento, CA (US)

(72) Inventor: **Niloofar Deyhim**, Tracy, CA (US)

(73) Assignee: **Hilt LLC**, Sacramento, CA (US)

(**) Term: **15 Years**

(21) Appl. No.: **29/707,637**

(22) Filed: **Sep. 30, 2019**

(51) **LOC (13) Cl.** **04-02**

(52) **U.S. Cl.**

USPC **D4/108**

(58) **Field of Classification Search**

USPC D4/100, 102, 104, 105, 106, 107, 108,
D4/109, 110, 112, 113, 114, 115, 116,
D4/136, 199; 132/325

CPC A46B 2200/1066; A46B 5/02; A46B
15/0071; A61C 15/046

See application file for complete search history.

(56) **References Cited**

U.S. PATENT DOCUMENTS

2,187,442 A * 1/1940 Beach A61C 15/046
132/326

3,853,134 A 12/1974 McCord

3,870,059 A * 3/1975 Bennington A61C 15/043
132/325

4,495,957 A * 1/1985 Beggs A61C 15/046
132/325

4,901,742 A * 2/1990 Olson A61C 15/046
132/325

4,987,910 A 1/1991 Lowe

5,888,010 A * 3/1999 Laux A46B 11/0006
401/268

6,772,770 B1 8/2004 Williams, Sr.

(Continued)

Primary Examiner — Karen E Eldridge Powers

(74) *Attorney, Agent, or Firm* — Sterne, Kessler,
Goldstein & Fox P.L.L.C.

(57) **CLAIM**

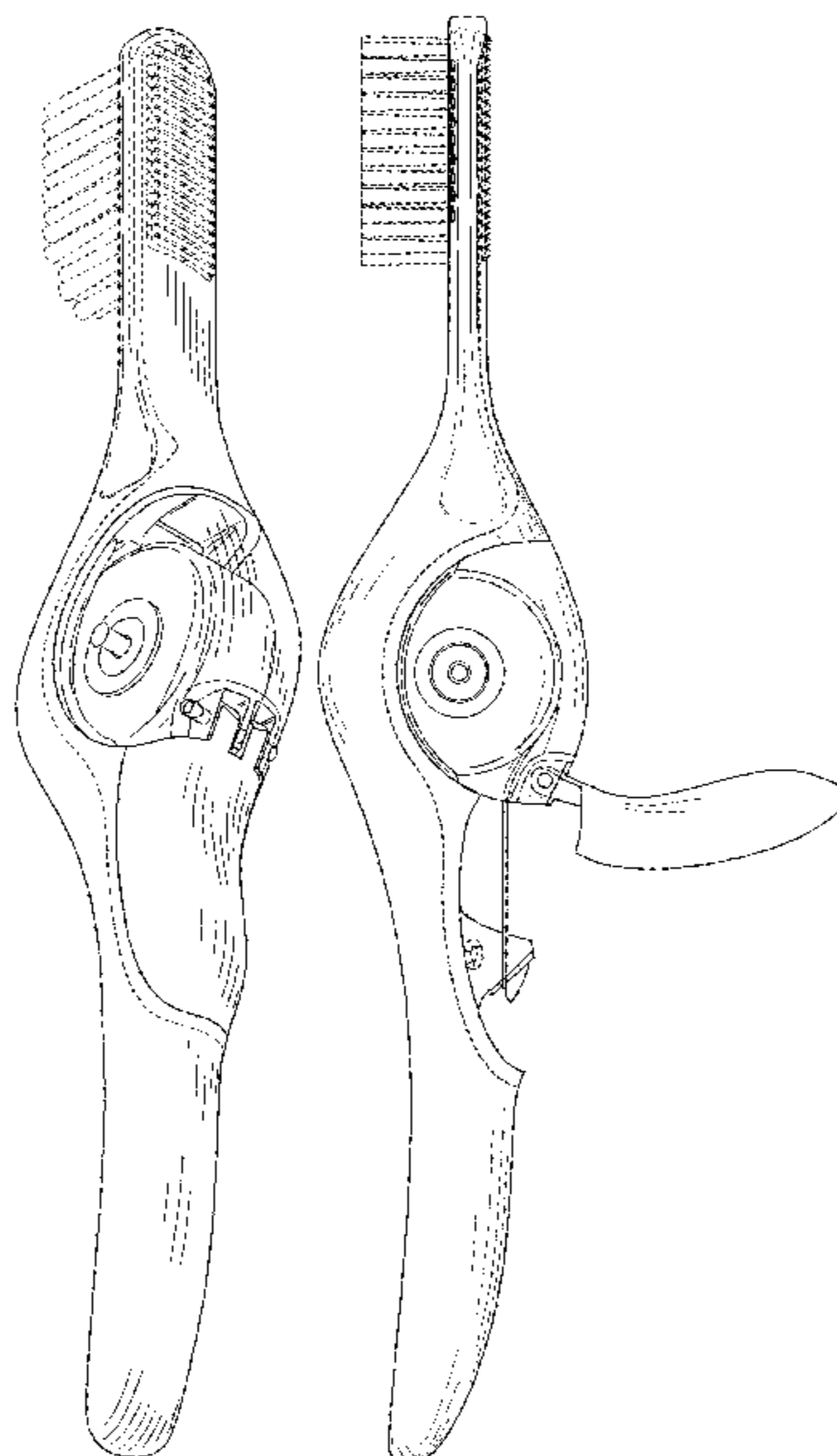
The ornamental design for a combined toothbrush and floss dispenser, as shown and described.

DESCRIPTION

FIG. 1 is a top front perspective view of a combined toothbrush and floss dispenser showing the claimed design; FIG. 2 is a bottom rear perspective view thereof; FIG. 3 is a right side elevational view thereof, the left side elevational view being a mirror image thereof; FIG. 4 is a front elevational view thereof; FIG. 5 is a rear elevational view thereof; FIG. 6 is a top plan view thereof; FIG. 7 is a bottom plan view thereof; FIG. 8 is a rear elevational view thereof in an open configuration; FIG. 9 is a right side elevational view thereof; the left side elevational view being a mirror image thereof; FIG. 10 is a top plan view thereof; FIG. 11 is a bottom plan view thereof; FIG. 12 is a bottom rear perspective view thereof showing how the floss may be dispensed; and, FIG. 13 is an enlarged view of the portion shown in dot-dash broken lines in FIG. 12, for ease of illustration.

The dashed broken lines in the figures show portions of the combined toothbrush and floss dispenser that form no part of the claimed design. The dot-dashed broken lines in FIGS. 12 and 13 show boundaries that form no part of the claimed design.

1 Claim, 9 Drawing Sheets



(56)

References Cited

U.S. PATENT DOCUMENTS

8,668,397	B2 *	3/2014	Barkhordar	A61C 17/36 401/13
8,776,806	B2	7/2014	Hohlbein et al.	
9,016,287	B2 *	4/2015	Nibbe	A61C 15/046 132/200
9,049,921	B1	6/2015	Rackston	
D747,883	S	1/2016	Rackston	
D778,060	S *	2/2017	Finkel	D4/108
D894,612	S *	9/2020	Zhang	D4/104
2006/0048790	A1 *	3/2006	Petner	A46B 11/002 132/309
2013/0000658	A1	1/2013	Nguyen et al.	
2014/0261511	A1	9/2014	Nibbe	
2014/0311521	A1	10/2014	Mourra	
2016/0150874	A1 *	6/2016	Rocha Silva	A46B 15/0071 132/309

* cited by examiner

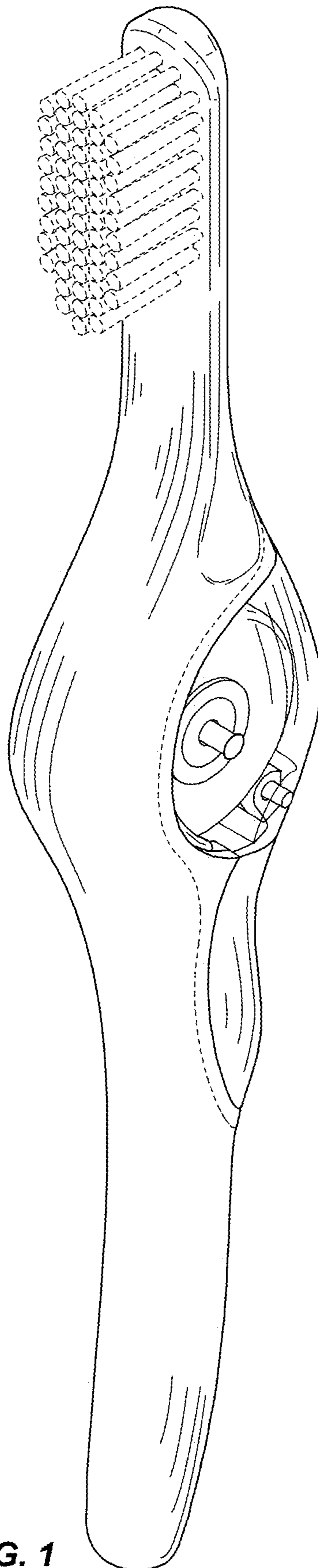


FIG. 1

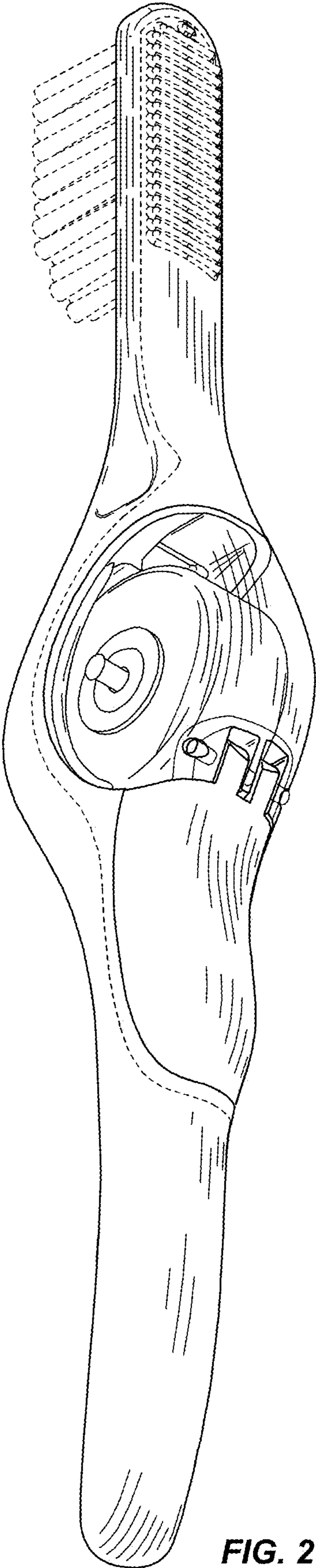


FIG. 2

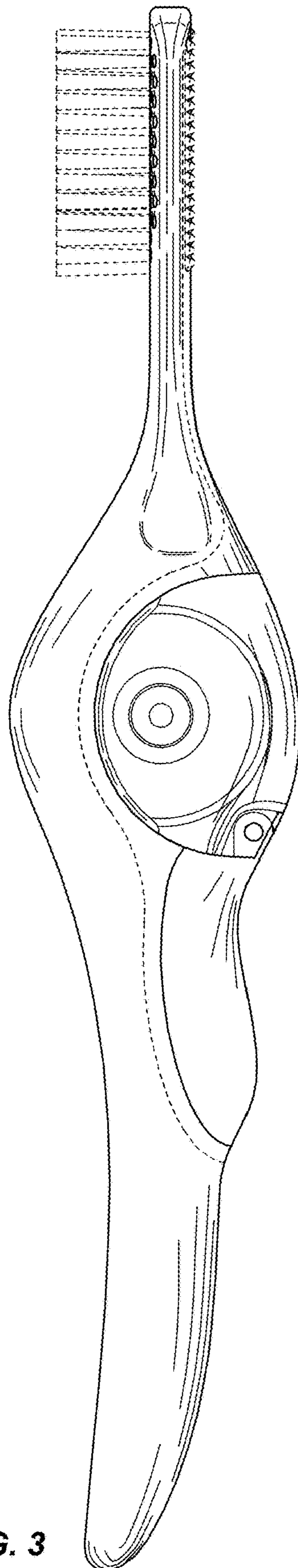


FIG. 3

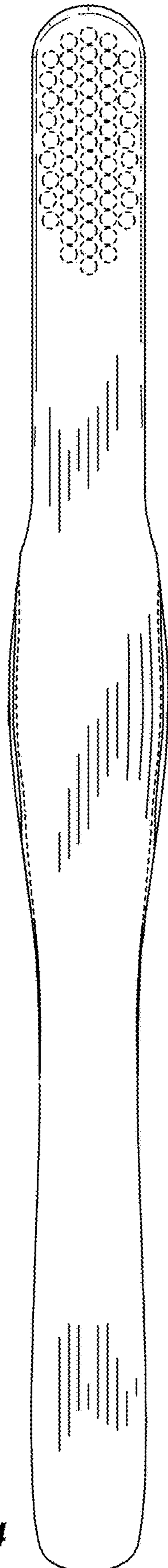


FIG. 4

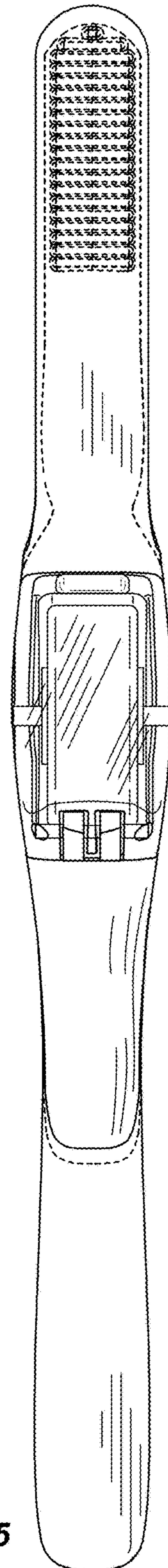


FIG. 5

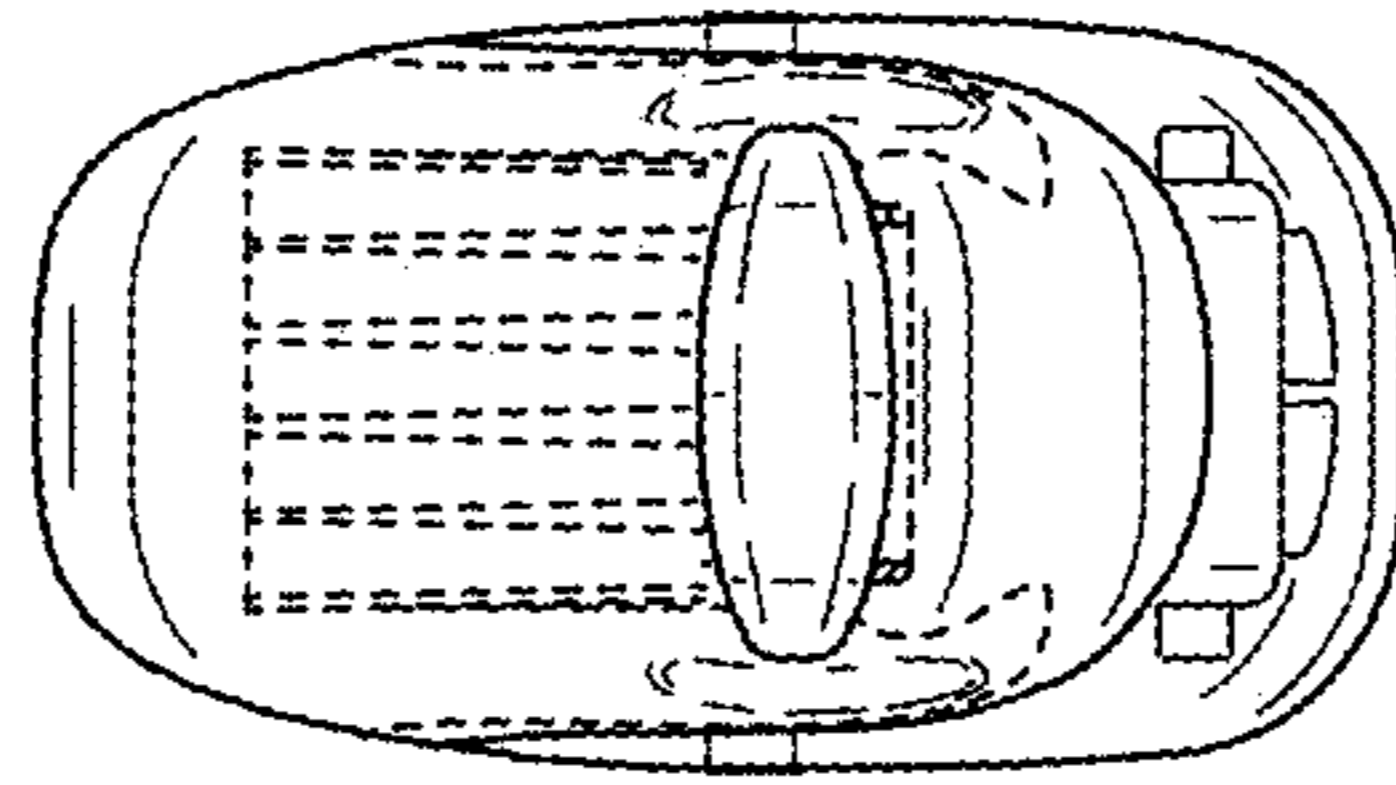


FIG. 6

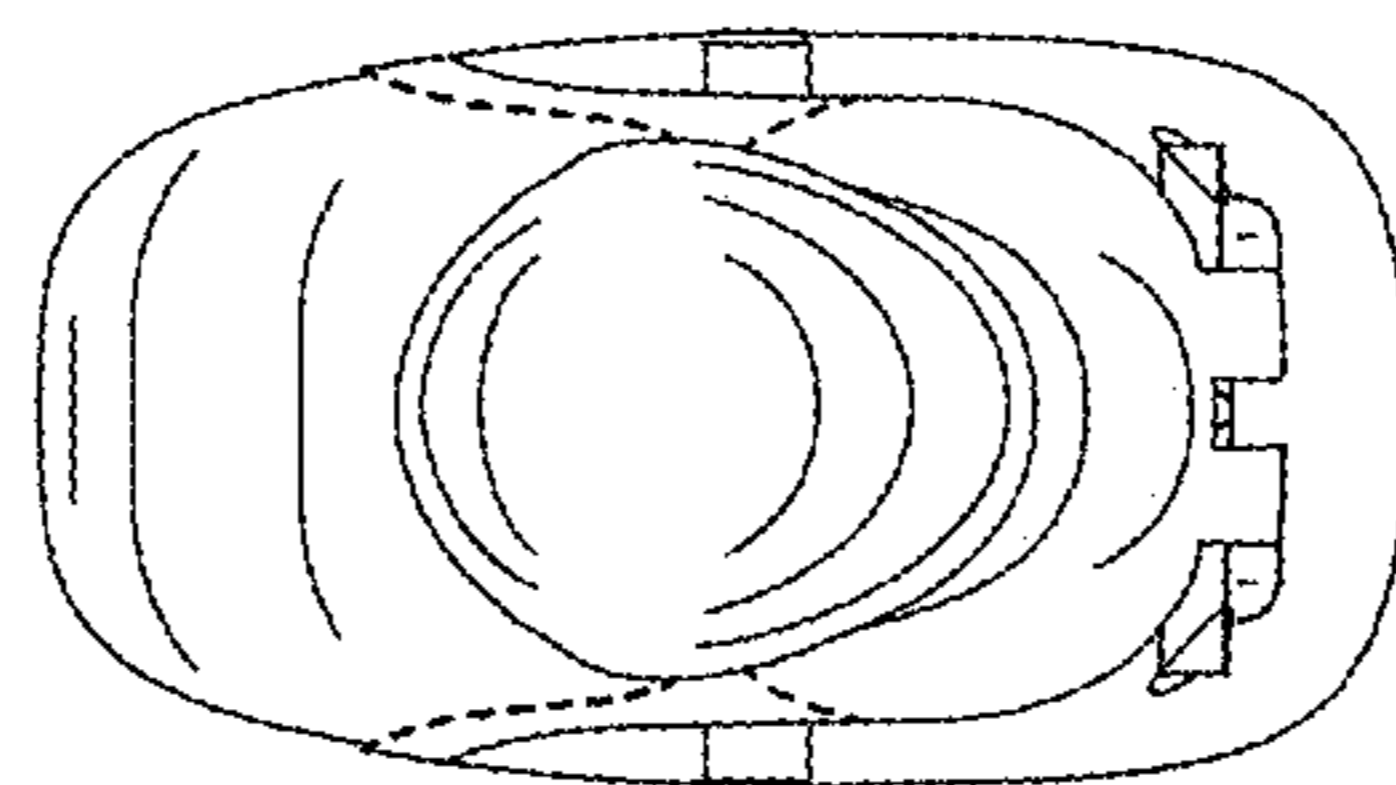


FIG. 7

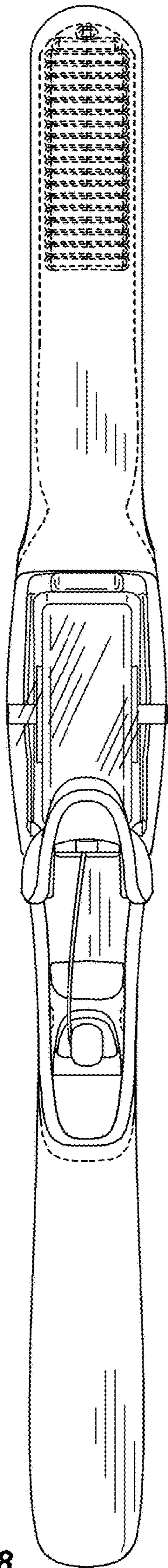


FIG. 8

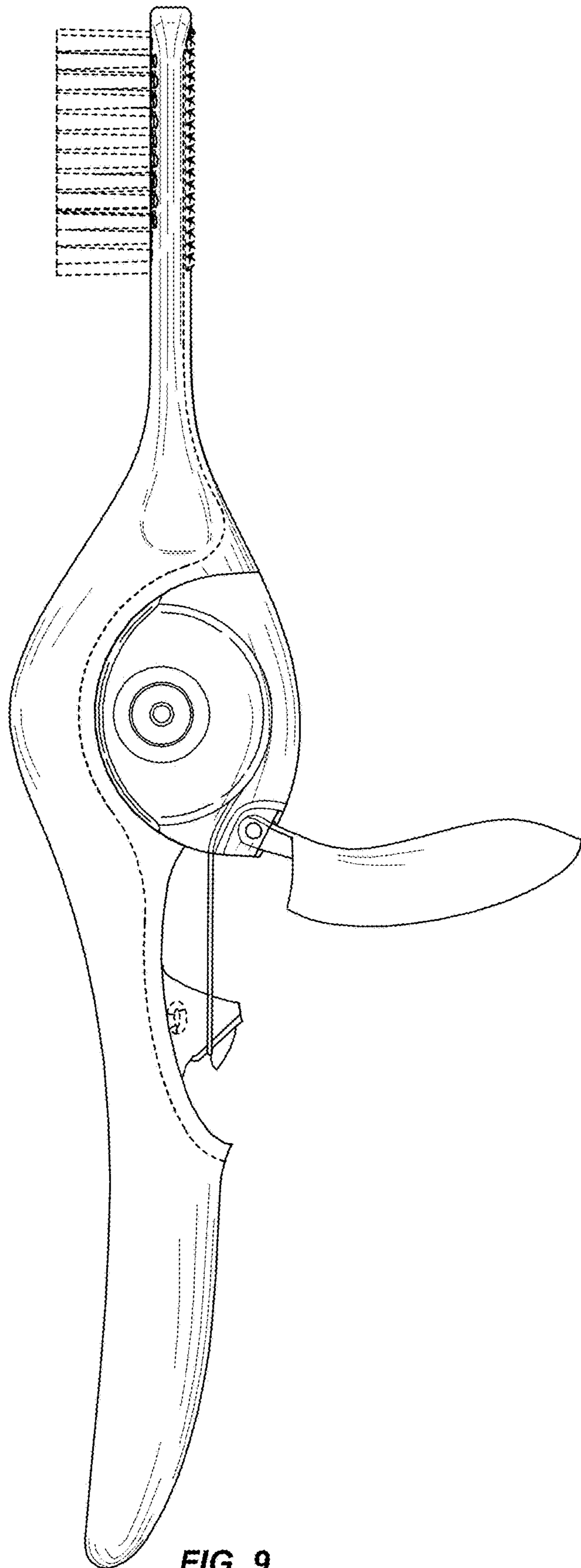


FIG. 9

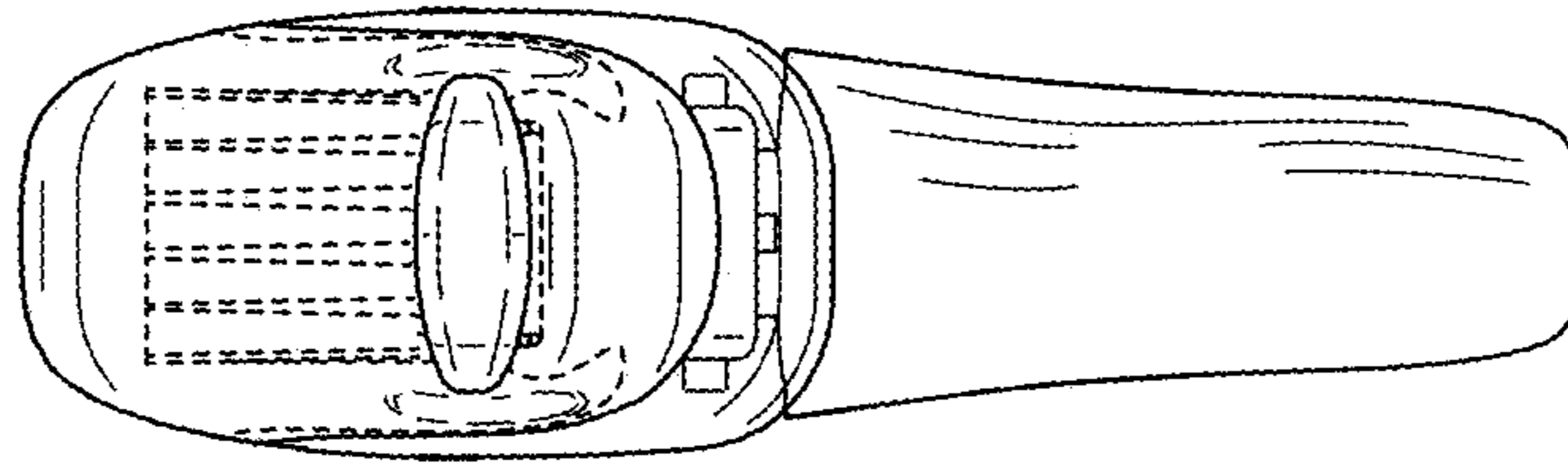


FIG. 10

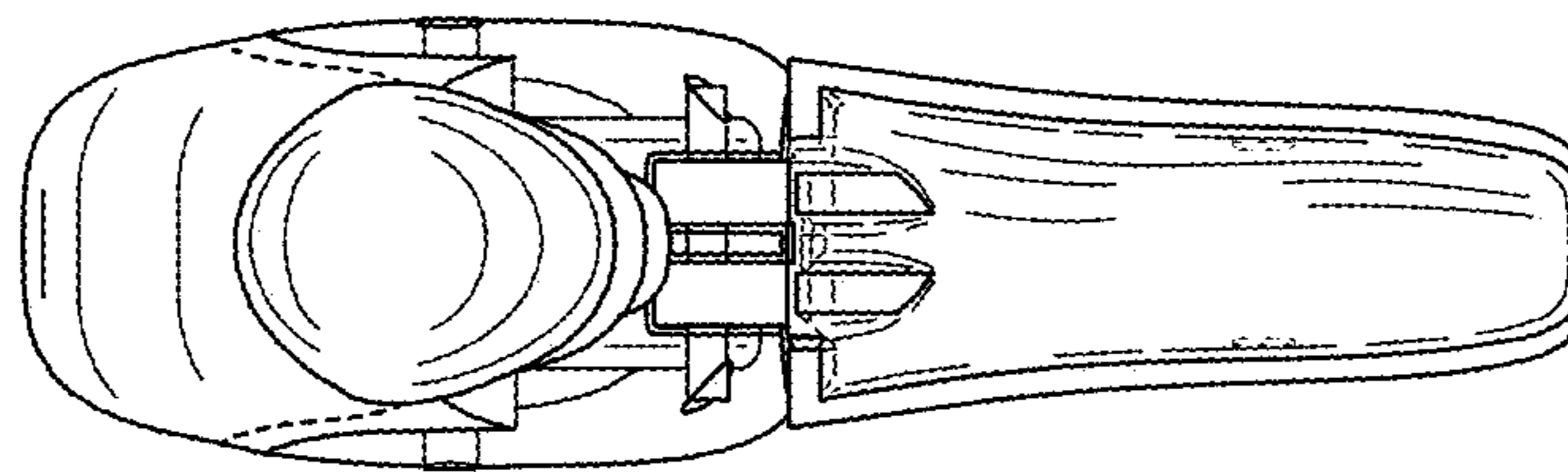


FIG. 11

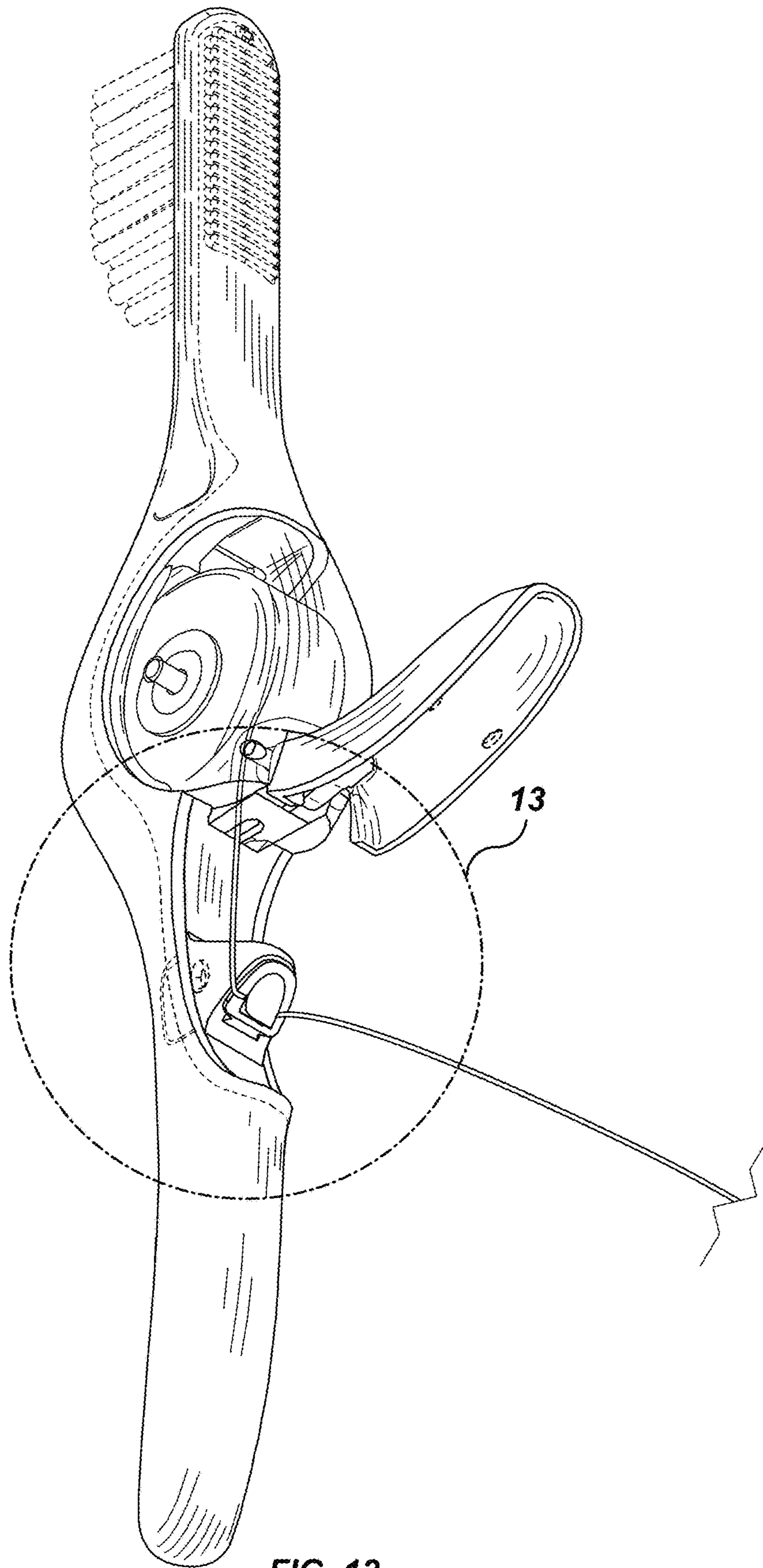


FIG. 12

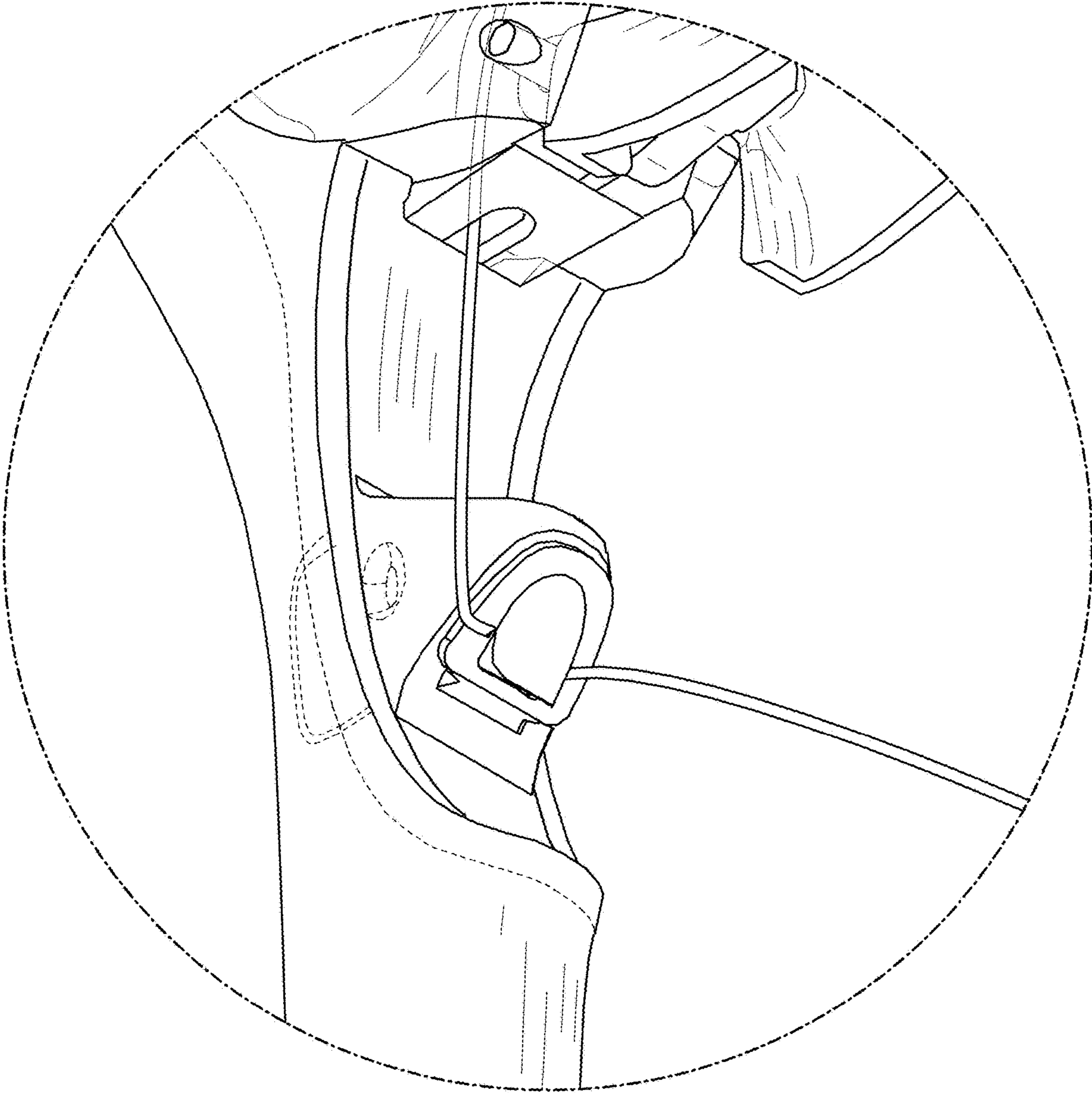


FIG. 13