



US00D922070S

(12) **United States Design Patent**
Armstrong

(10) **Patent No.:** **US D922,070 S**
(45) **Date of Patent:** **** Jun. 15, 2021**

(54) **HOUSING FOR A CHARGING CASE**

(71) Applicant: **Urban Armor Gear LLC**, Laguna Niguel, CA (US)

(72) Inventor: **Steven Armstrong**, San Juan Capistrano, CA (US)

(73) Assignee: **URBAN ARMOR GEAR, LLC**, Laguna Niguel, CA (US)

(**) Term: **15 Years**

(21) Appl. No.: **29/702,671**

(22) Filed: **Aug. 21, 2019**

(51) **LOC (13) Cl.** **03-01**

(52) **U.S. Cl.**
USPC **D3/294; D13/108; D13/118; D3/201**

(58) **Field of Classification Search**
USPC D13/103, 104, 107, 109, 110, 112, 118, D13/119, 120, 121, 122, 184; D3/201, D3/208, 212, 294, 302
CPC ... H01M 2/02; A45C 2011/001; H04R 1/1025
See application file for complete search history.

(56) **References Cited**

U.S. PATENT DOCUMENTS

D715,738 S *	10/2014	Salmon	D13/119
D756,626 S *	5/2016	Tollefsbol	D3/201
D775,070 S *	12/2016	Lei	D13/107
D824,326 S *	7/2018	Yu	D13/103
D868,453 S *	12/2019	Lee	D3/201
D869,147 S *	12/2019	Lian	D3/201
D886,453 S *	6/2020	Wright	D3/294
D887,140 S *	6/2020	Hyun	D3/302

(Continued)

OTHER PUBLICATIONS

“Catalyst Case for Apple AirPods”. Found online Aug. 28, 2020 at [bhphotovideo.com](https://www.bhphotovideo.com). Reference dated Jul. 5, 2017. Retrieved from

https://www.bhphotovideo.com/c/product/1340422-REG/catalyst_cat_01306_case_for_apple_airpods.html/reviews. (Year: 2017).*

(Continued)

Primary Examiner — Kendra Leslie Hamilton

Assistant Examiner — Amanda Christensen

(74) *Attorney, Agent, or Firm* — K&L Gates LLP; Brian J. Novak; Georgia N. Kefallinos

(57) **CLAIM**

The ornamental design for a housing for a charging case, as shown and described.

DESCRIPTION

FIG. 1 is a top, front perspective view of a housing for a charging case, showing my new design, shown in a closed configuration.

FIG. 2 is a bottom, rear perspective view thereof.

FIG. 3 is a front elevation view thereof.

FIG. 4 is a rear elevation view thereof.

FIG. 5 is a right side elevation view thereof.

FIG. 6 is a left side elevation view thereof.

FIG. 7 is a top plan view thereof.

FIG. 8 is a bottom plan view thereof.

FIG. 9 is a top, front perspective view of the housing for a charging case of FIG. 1, shown in an open configuration.

FIG. 10 is a bottom, rear perspective view thereof.

FIG. 11 is a front elevation view thereof.

FIG. 12 is a rear elevation view thereof.

FIG. 13 is a right side elevation view thereof.

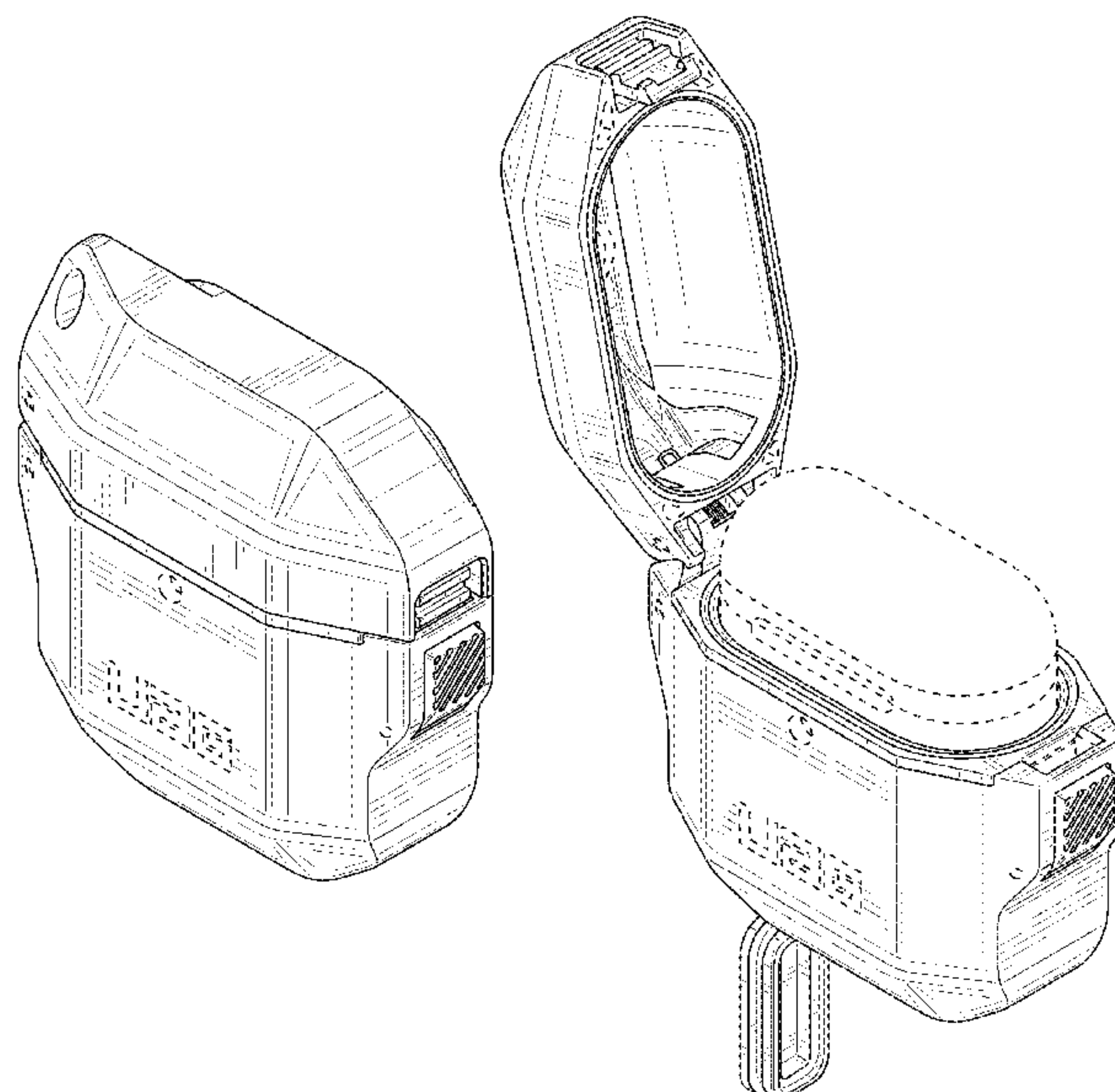
FIG. 14 is a left side elevation view thereof.

FIG. 15 is a top plan view thereof; and,

FIG. 16 is a bottom plan view thereof.

In the drawings, the equal-length broken lines on the housing for a charging case form no part of the claimed design. The equal-length broken lines showing a secondary item depict environmental subject matter only and form no part of the claimed design.

1 Claim, 16 Drawing Sheets



(56)

References Cited

U.S. PATENT DOCUMENTS

D888,662 S * 6/2020 Cramer D13/108
D892,497 S * 8/2020 Wright D3/294
2017/0195770 A1* 7/2017 Cheney H04R 1/105
2018/0064224 A1* 3/2018 Brzezinski H02J 7/025
2019/0208342 A1* 7/2019 Higgins H04R 25/602

OTHER PUBLICATIONS

“Silicone Protective Cover”. Found online Aug. 28, 2020 at amazon.com. Reference dated Jan. 4, 2019. Retrieved from <https://www.amazon.in/ccessory-Compatible-AirPods-Silicone-Protective/dp/B078LZMMDX>. (Year: 2019).*

“Hard Case for Apple Airpods”. Found online Aug. 27, 2020 at urbanarmorgear.com. Reference dated Feb. 8, 2020. Retrieved from <https://www.urbanarmorgear.com/products/hardcase-for-apple-airpods>. (Year: 2020).*

“First Office Action received for Chinese Application No. 2019306177992, dated Mar. 11, 2020, 1 page”.

* cited by examiner

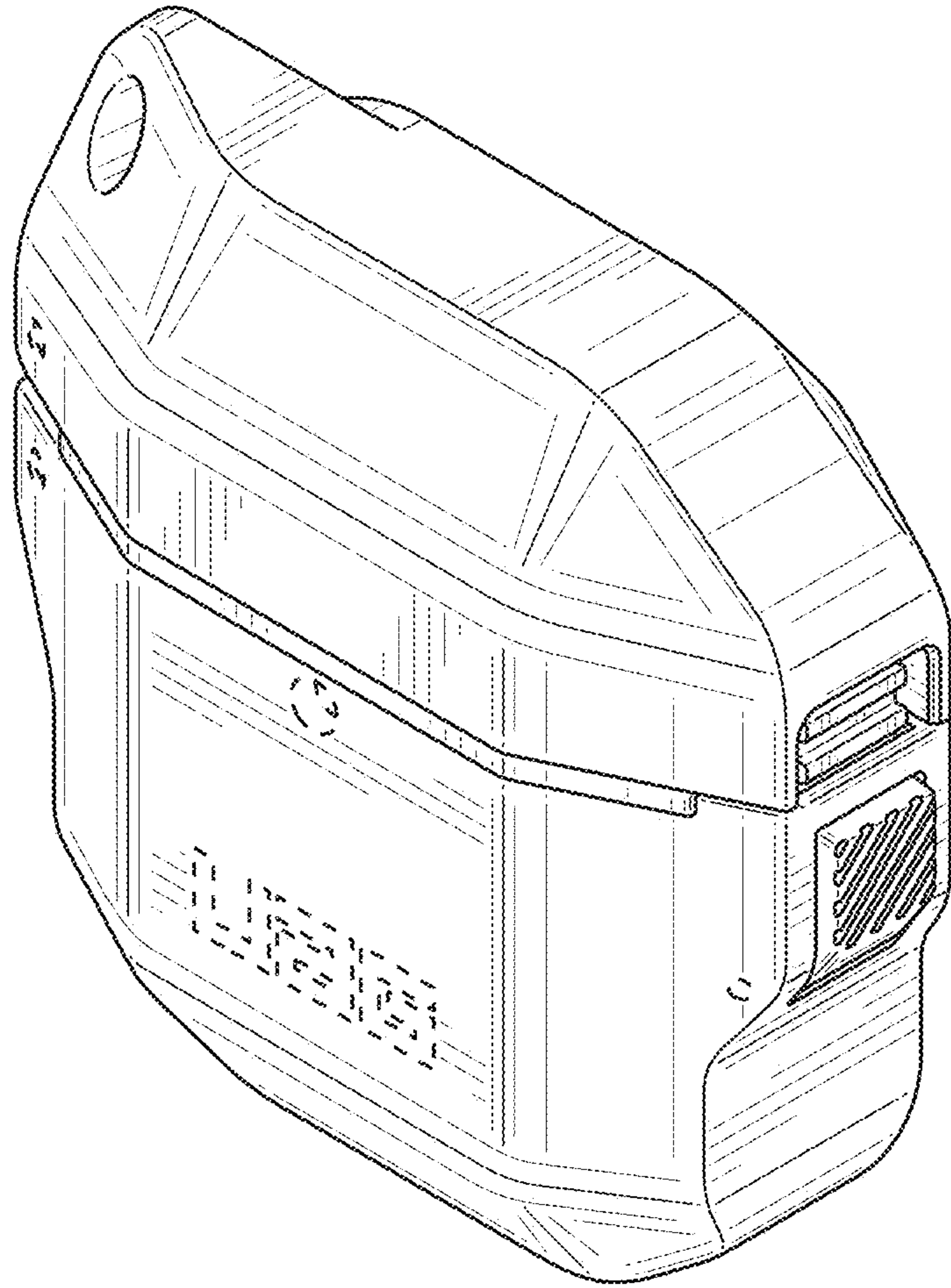


FIG. 1

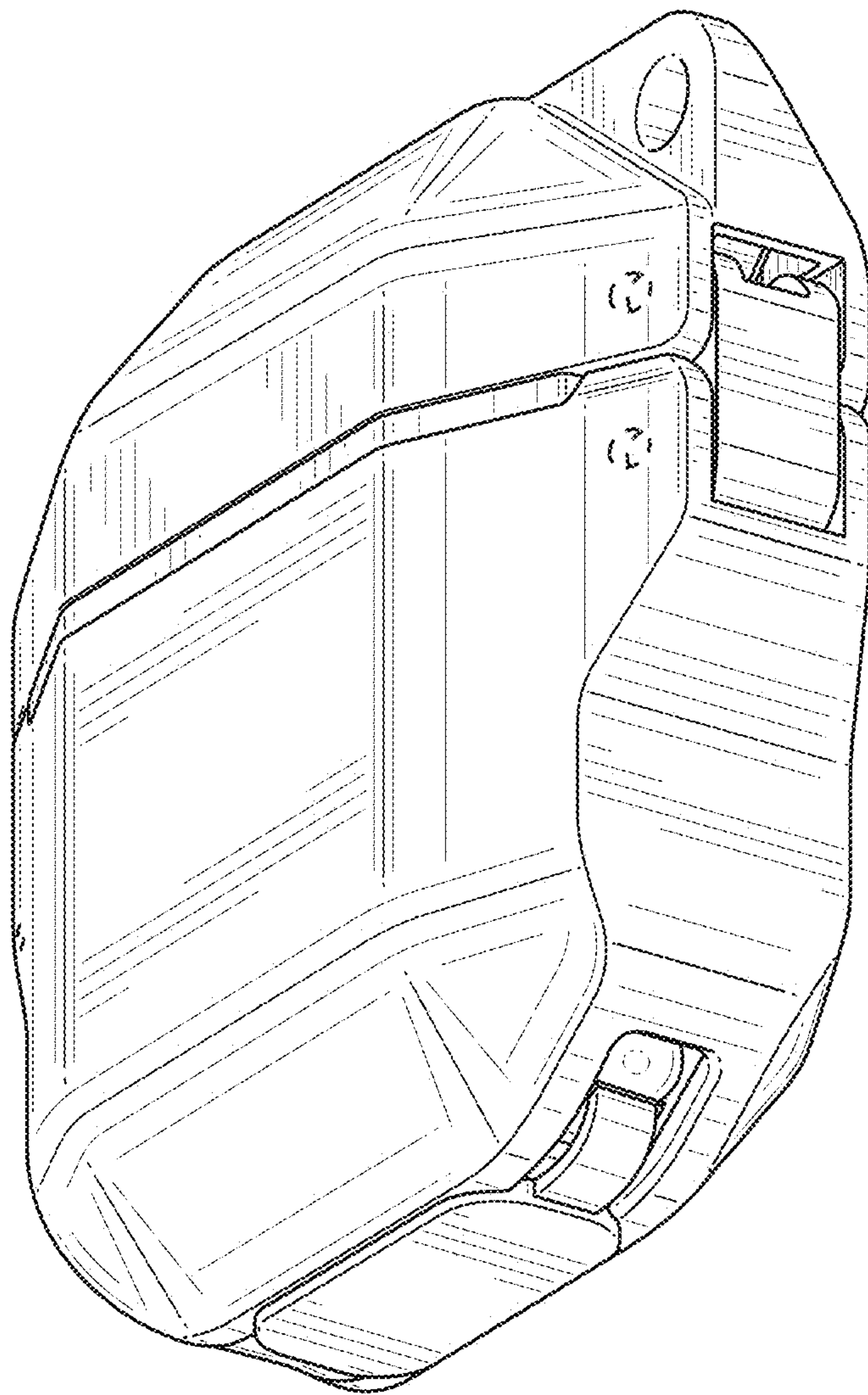


FIG. 2

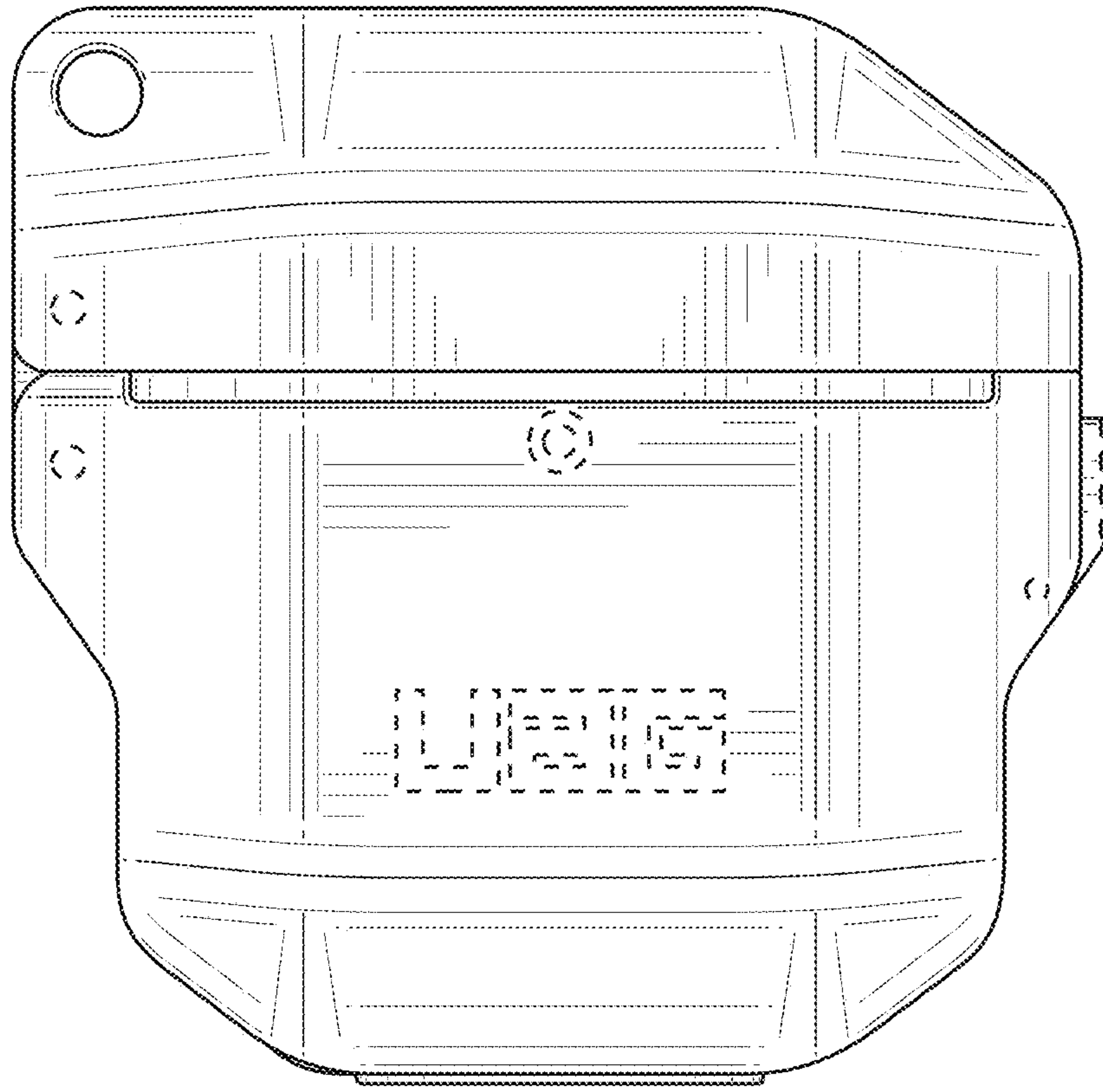


FIG. 3

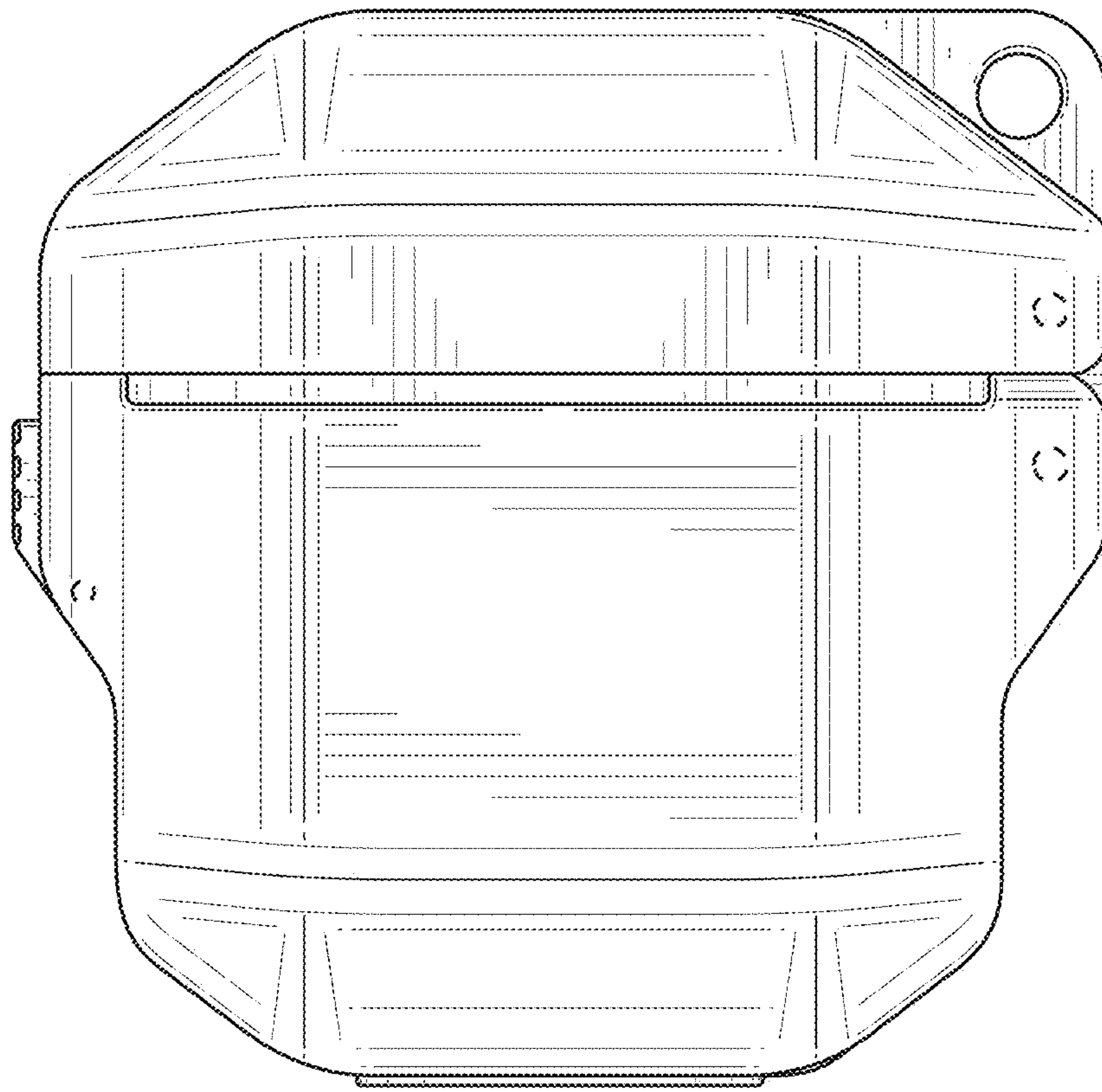


FIG. 4

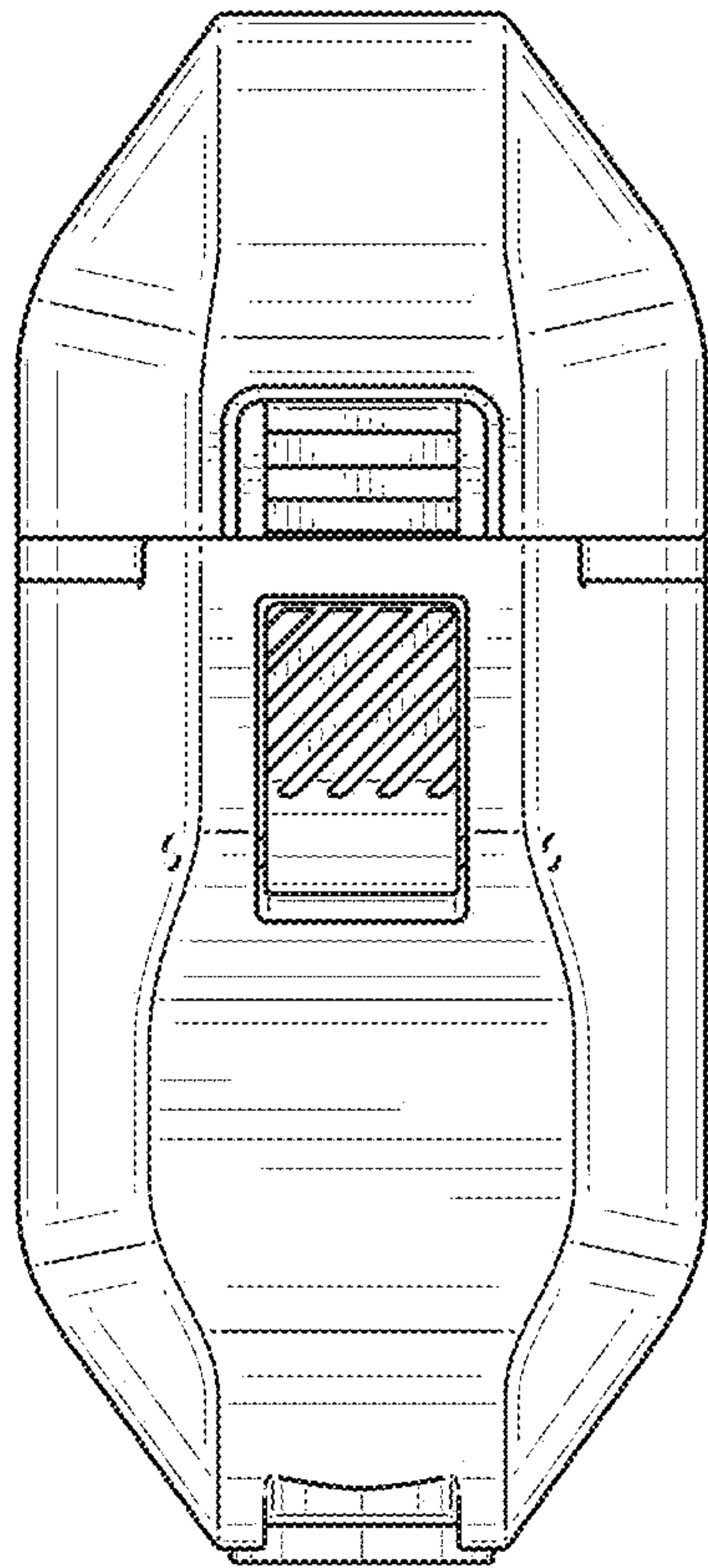


FIG. 5

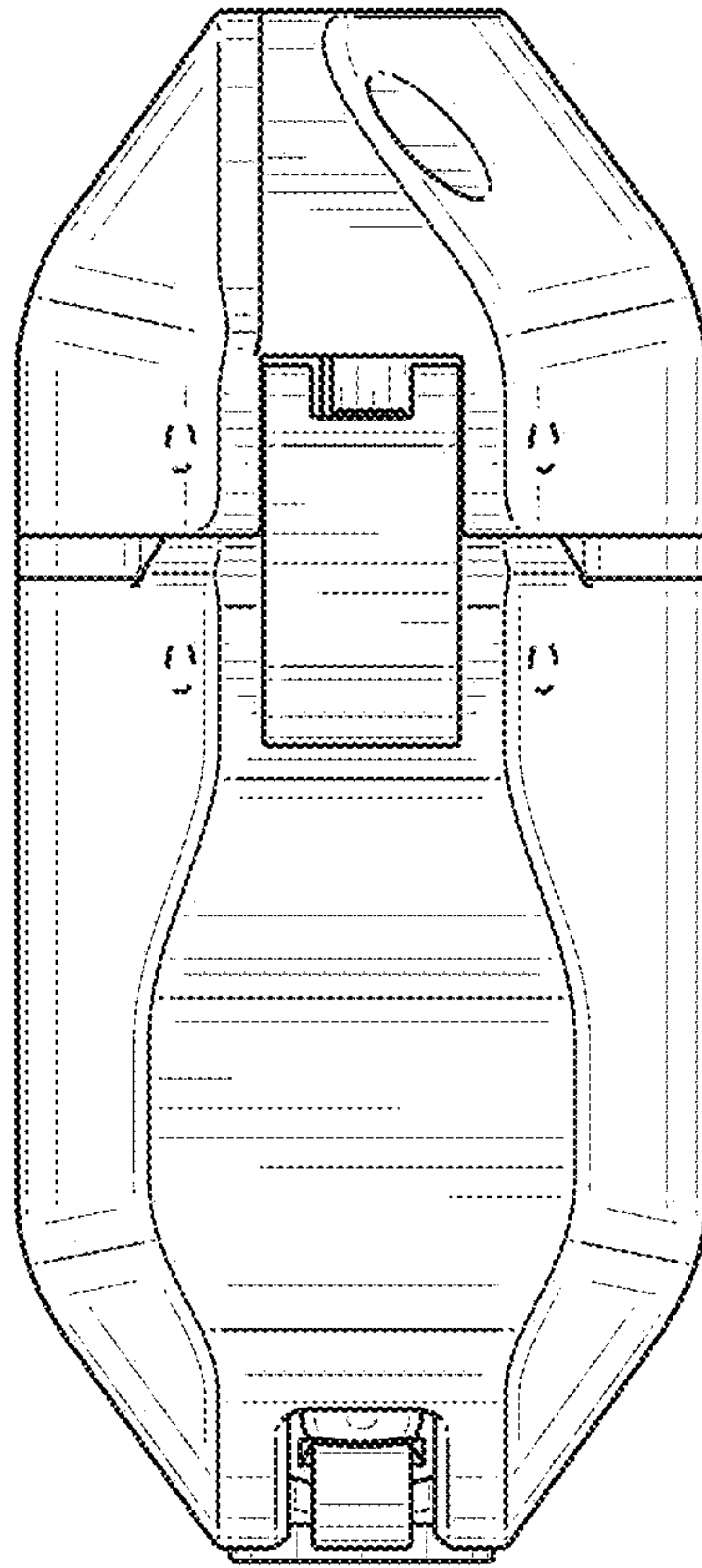


FIG. 6

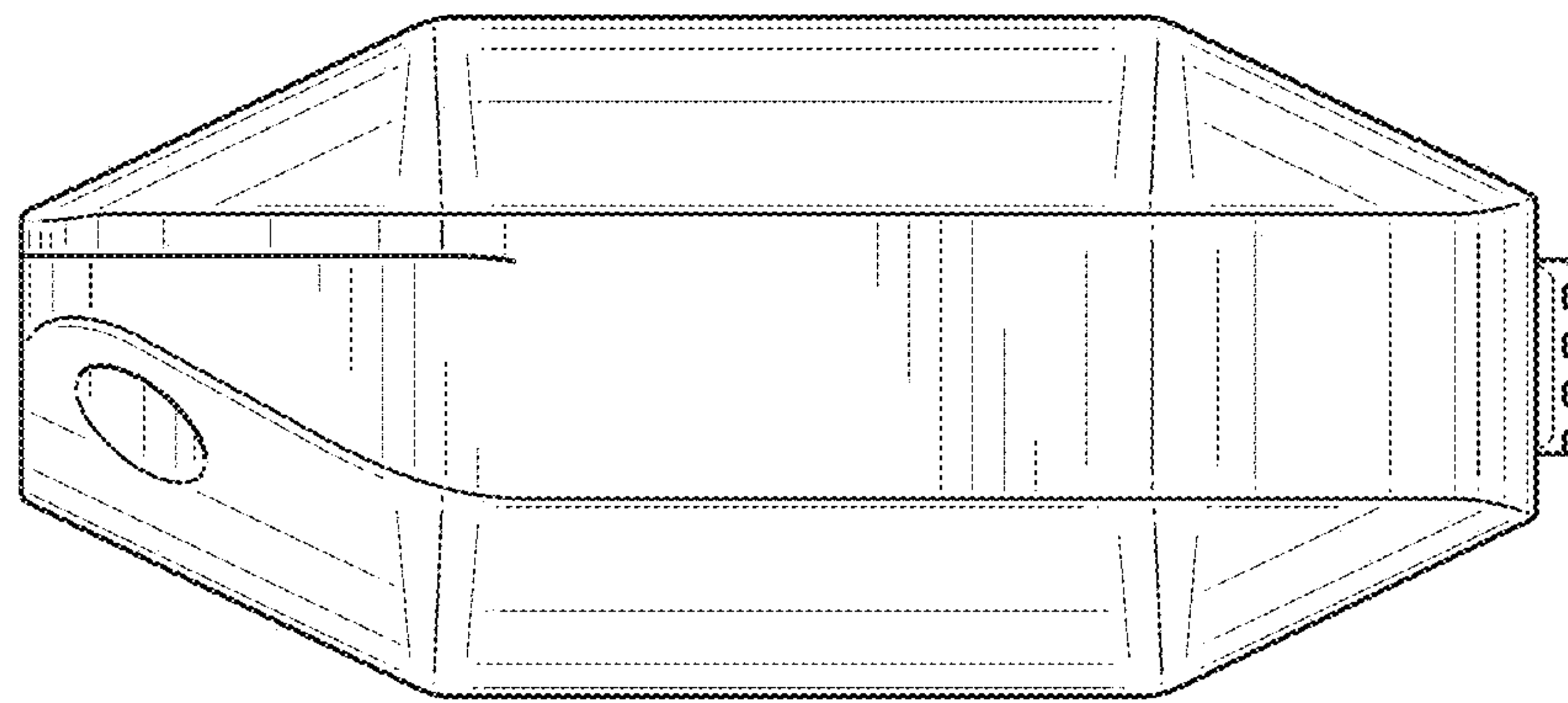


FIG. 7

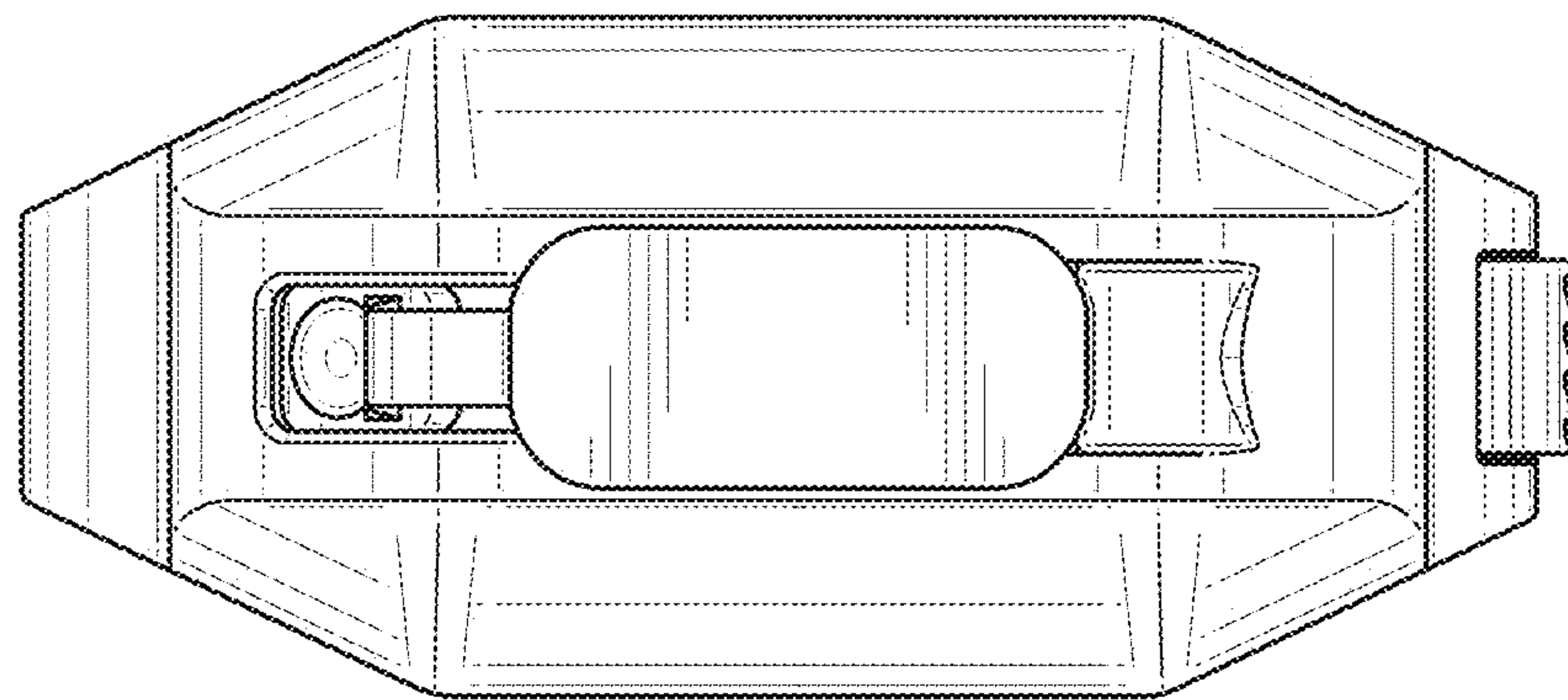


FIG. 8

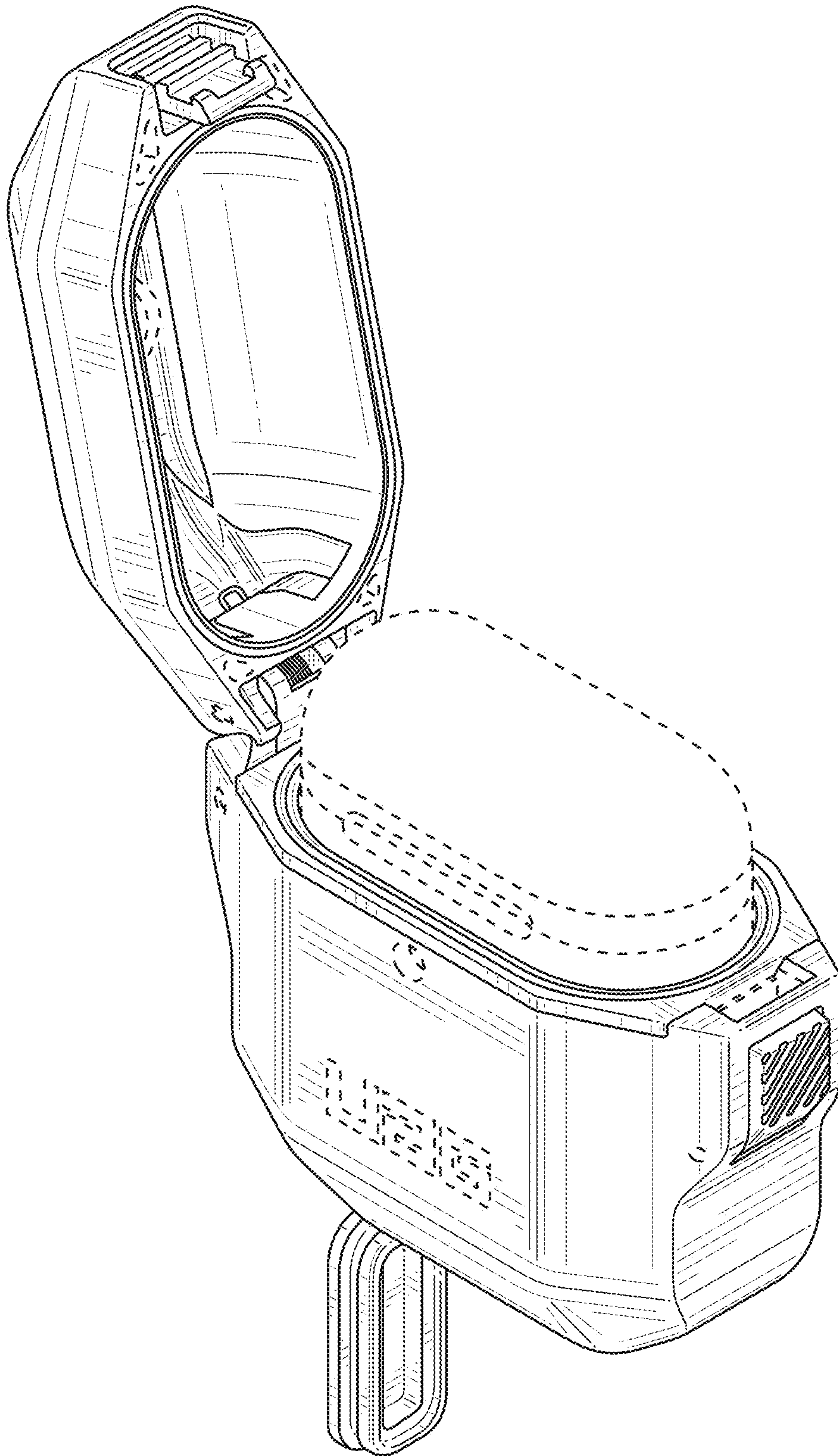


FIG. 9

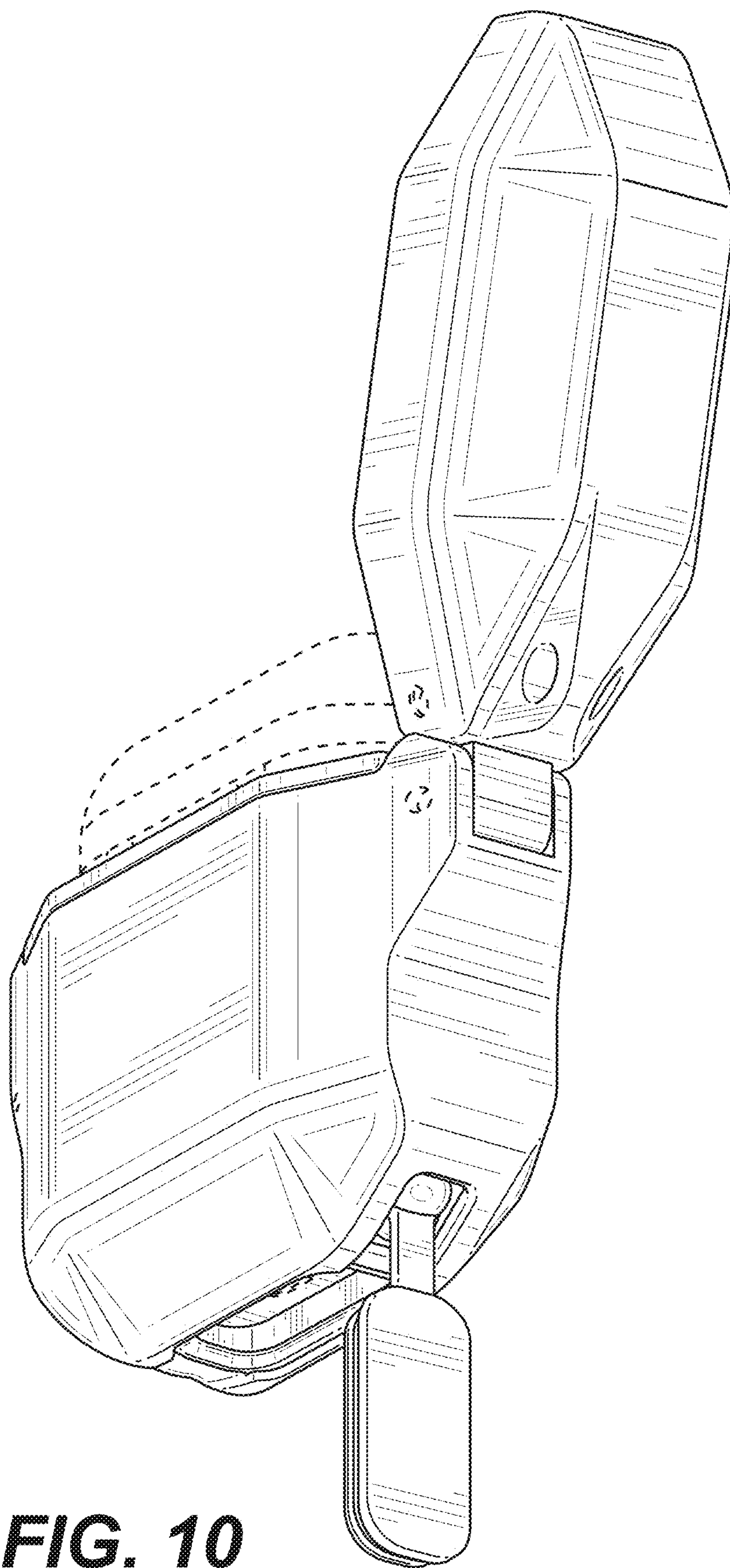


FIG. 10

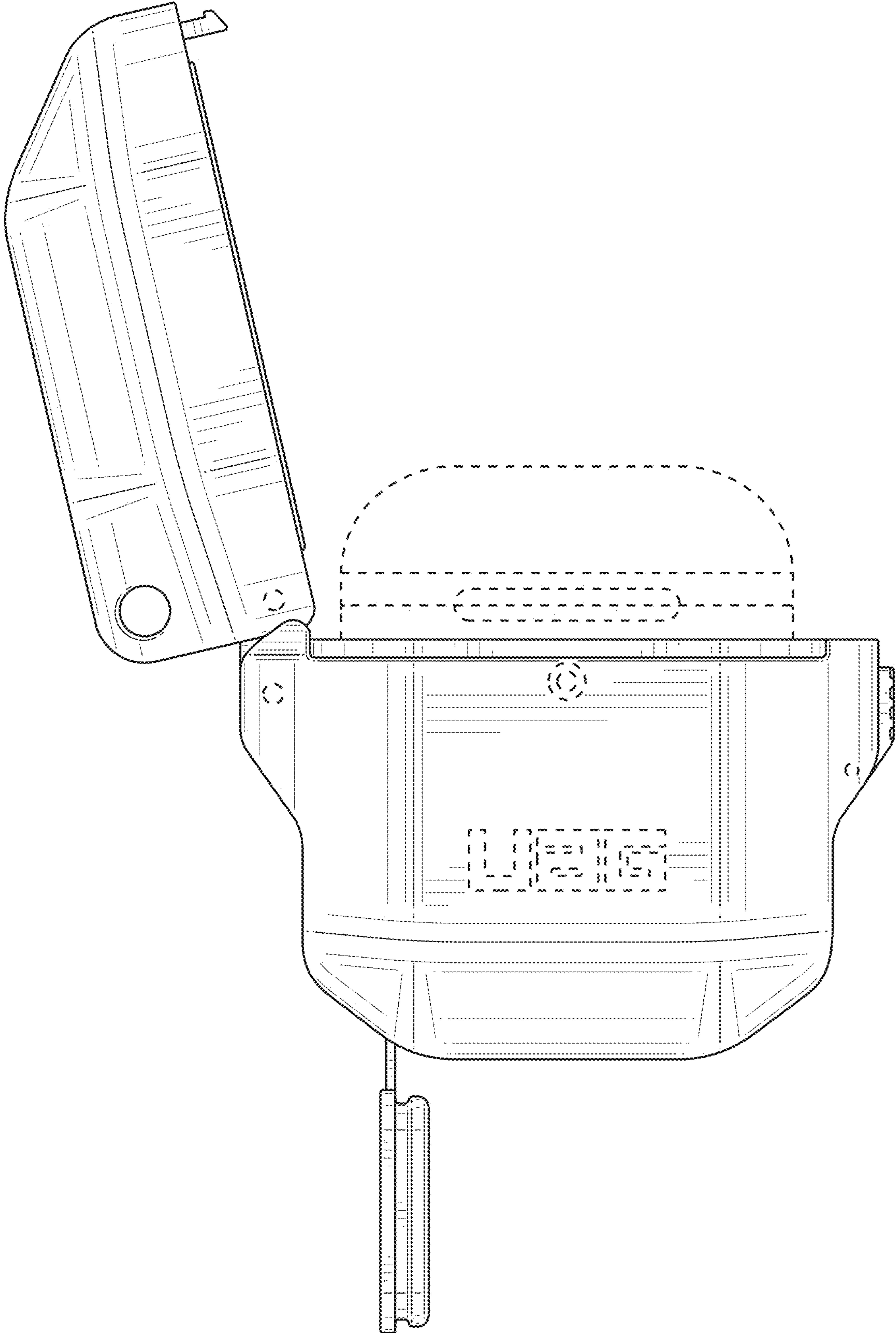


FIG. 11

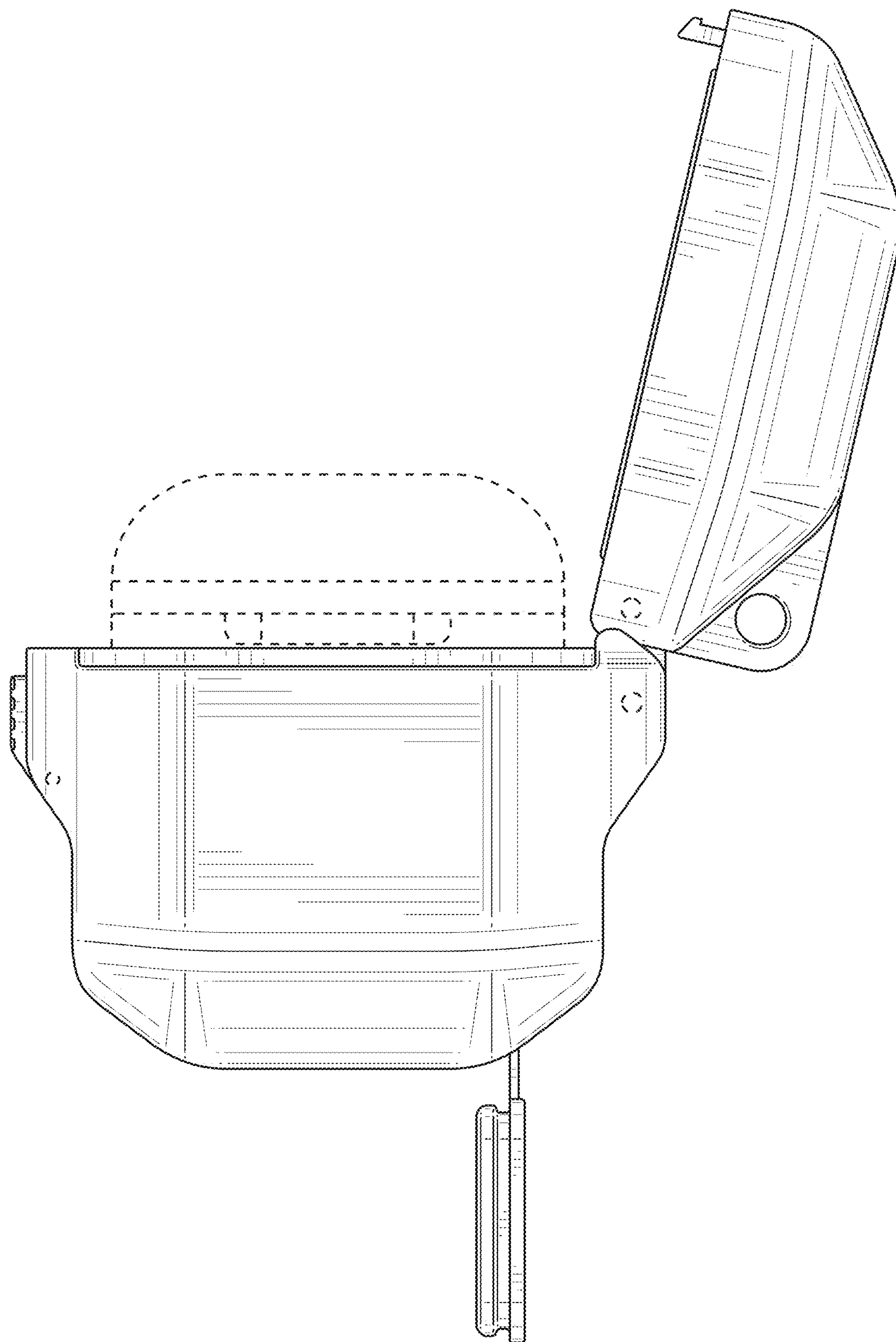


FIG. 12

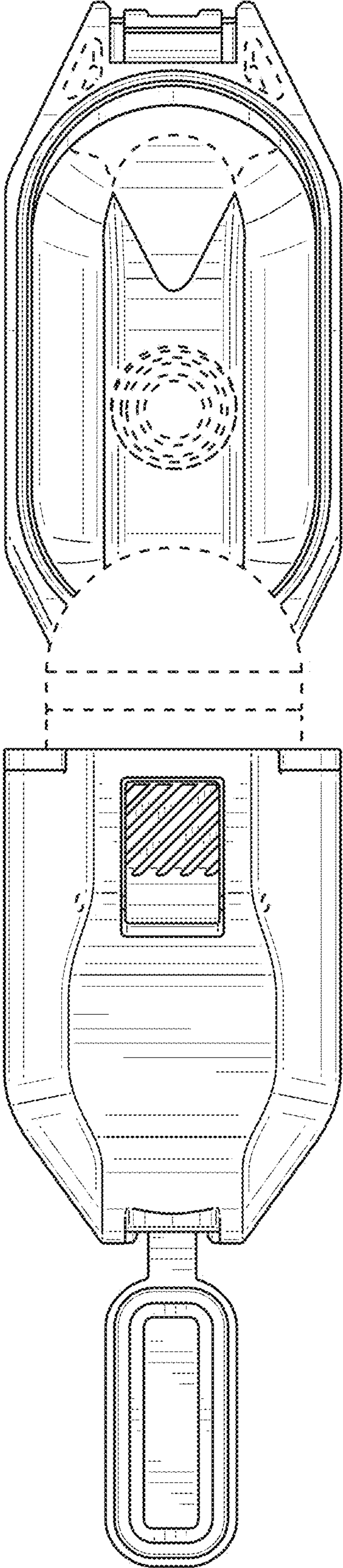


FIG. 13

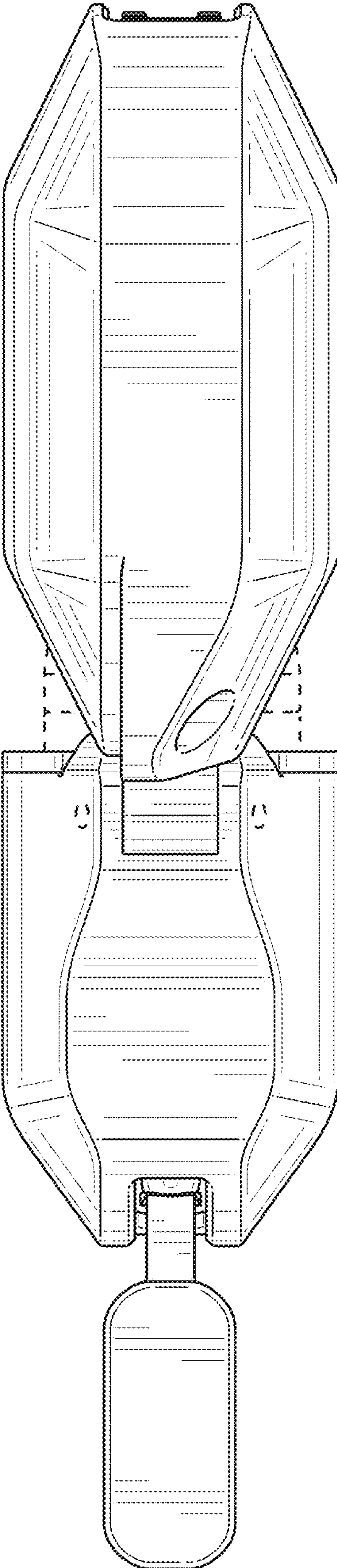


FIG. 14

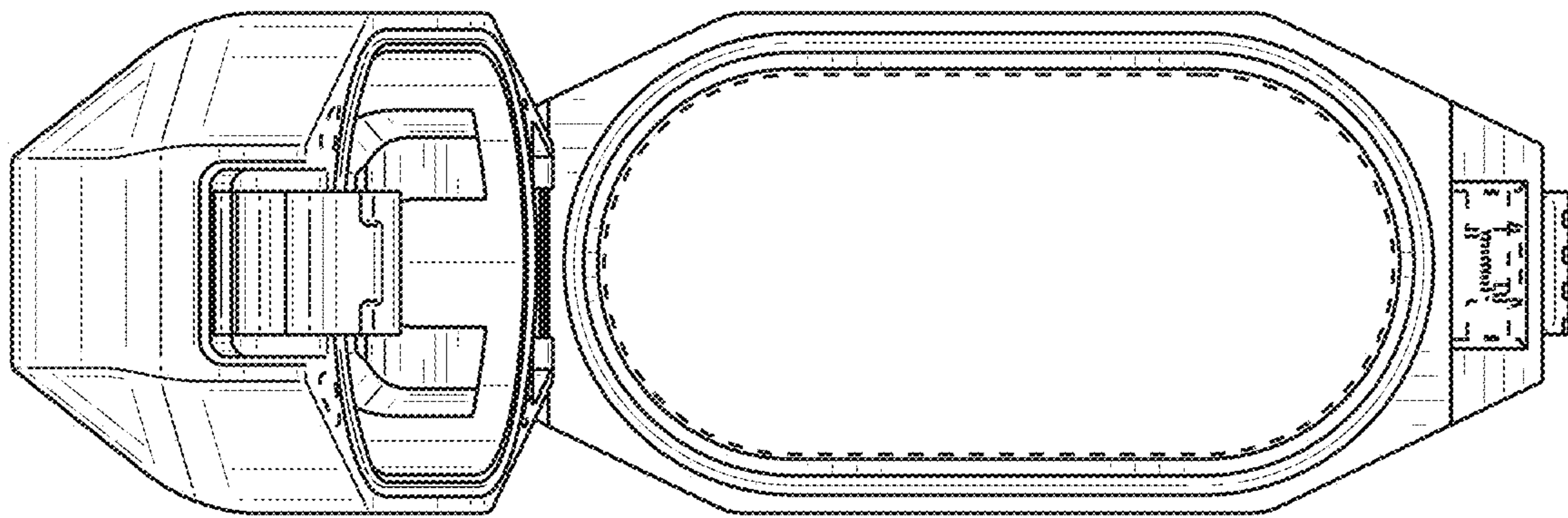


FIG. 15

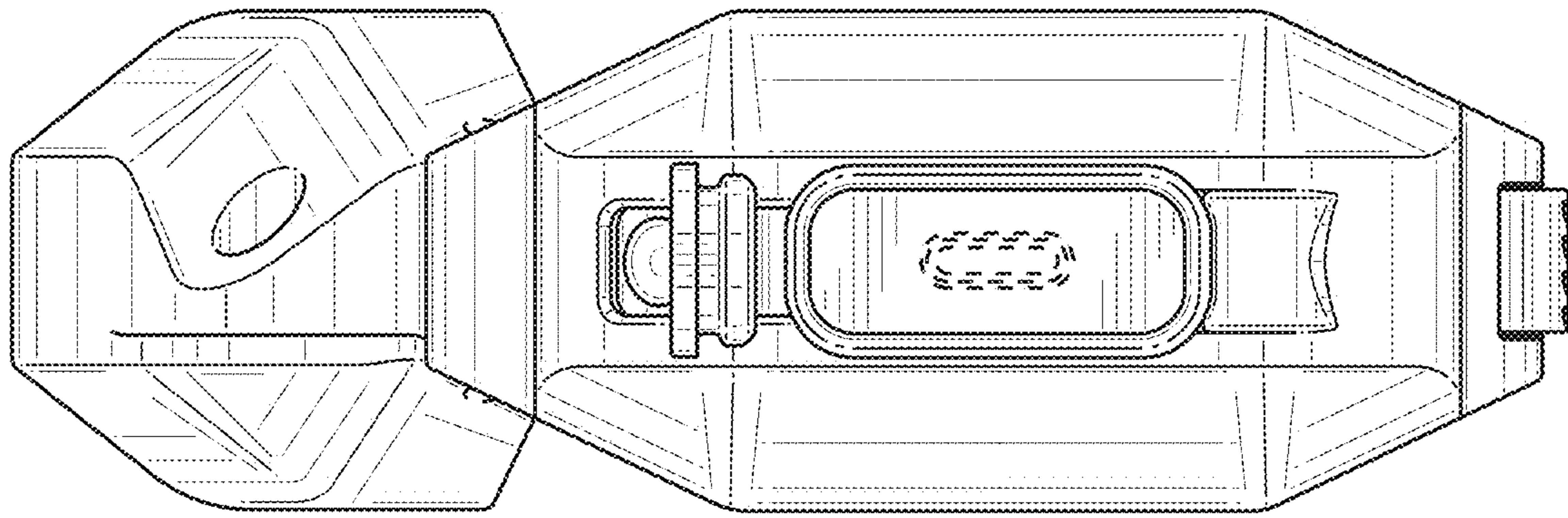


FIG. 16