



US00D922069S

(12) **United States Design Patent** (10) **Patent No.:** **US D922,069 S**
Hedrick et al. (45) **Date of Patent:** **** Jun. 15, 2021**

(54) **BRIEFCASE**

23/08; B56D 81/38; B56D 81/3836;
B56D 81/2023

(71) Applicant: **Tecovas, Inc.**, Austin, TX (US)

See application file for complete search history.

(72) Inventors: **Paul Hedrick**, Austin, TX (US);
Andrew M. Bosway, Austin, TX (US)

(56) **References Cited**

(73) Assignee: **Tecovas, Inc.**, Austin, TX (US)

U.S. PATENT DOCUMENTS

(**) Term: **15 Years**

D231,869 S *	6/1974	Matsusuke Ohyama	D3/283
D297,386 S *	8/1988	Martin	D3/287
D448,164 S *	9/2001	Kolpin	D3/262
D465,924 S *	11/2002	Gisser	D3/276
D477,462 S *	7/2003	Dancyger	D3/274

(Continued)

(21) Appl. No.: **29/720,720**

FOREIGN PATENT DOCUMENTS

(22) Filed: **Jan. 15, 2020**

(51) **LOC (13) Cl.** **03-01**

CN	305349562	*	9/2019
CN	305383640	*	10/2019

(52) **U.S. Cl.**

USPC **D3/289**; D3/245; D3/287; D3/900

OTHER PUBLICATIONS

(58) **Field of Classification Search**

USPC D3/203.1, 203.6, 202, 205, 215, 217,
D3/226, 229, 230, 232, 233, 242–246,
D3/249, 258, 273, 274, 276, 283–290,
D3/294, 295, 299, 301, 303, 900–904;
D7/602, 605, 607, 619.1, 709; D28/73,
D28/76

Soft Briefcase, available as early as Jan. 29, 2017 (product review),
issara.co [online], [site visited Dec. 30, 2020], Available from
internet URL: https://issara.co/shop/soft-briefcase/?gclid=EA1alQobChMxPLOldLf7QIVotSzCh2OfQkrEAQYDSABEgLG7_D_BwE (Year: 2017).*

(Continued)

CPC .. A45C 1/00; A45C 1/02; A45C 1/024; A45C
1/08; A45C 3/00; A45C 3/04; A45C 3/06;
A45C 3/10; A45C 3/004; A45C 5/00;
A45C 5/02; A45C 5/04; A45C 5/005;
A45C 7/077; A45C 7/00; A45C 9/00;
A45C 11/00; A45C 11/16; A45C 11/20;
A45C 11/26; A45C 11/008; A45C 13/00;
A45C 13/08; A45C 13/26; A45C
2003/002; A45C 2003/007; A45C
2003/008; A45C 2007/004; A45C
2011/007; A45C 2200/20; A45D 29/20;
A45D 33/008; A45D 44/18; A45D
2200/25; A45F 3/00; A45F 3/02; A45F
3/04; A45F 3/16; A45F 4/02; B65D

Primary Examiner — Jeffrey D Asch
Assistant Examiner — Caitlin Ann Laverty
(74) *Attorney, Agent, or Firm* — Banner & Witcoff, Ltd.

(57) **CLAIM**

The ornamental design for a briefcase, as shown and described.

DESCRIPTION

FIG. 1 is a front perspective view of a briefcase showing our new design;
FIG. 2 is a front view thereof;
FIG. 3 is a rear view thereof;
FIG. 4 is a left side view thereof;
FIG. 5 is a right side view thereof;

(Continued)



FIG. 6 is a top view thereof; and,
FIG. 7 is a bottom view thereof.
The even-length broken lines within the shaded area represent stitching.

D840,675 S * 2/2019 Peris D3/203.1
D897,672 S * 10/2020 Hedrick D3/245
D906,672 S * 1/2021 Wu D3/287
2020/0229570 A1* 7/2020 Mitchell F21L 4/08

1 Claim, 5 Drawing Sheets

OTHER PUBLICATIONS

(56)

References Cited

U.S. PATENT DOCUMENTS

D624,752 S * 10/2010 Fried D3/285
D701,041 S * 3/2014 Burnett D3/245
D756,109 S * 5/2016 Hayashi D3/232
D759,970 S * 6/2016 Dumas D3/276
D763,570 S * 8/2016 Potts D3/232
D800,443 S * 10/2017 Burton D3/203.1
D813,539 S * 3/2018 Van Assche F21L 4/08
D3/283

The Briefcase, available as early as Aug. 5, 2019 (product review), tecovas.com [online], [site visited Dec. 30, 2020], Available from internet URL: https://www.tecovas.com/products/briefcase?variant=29544270594157&gclid=EAlalQobChMxPLOIdLf7QIVotSzCh2OfQkrEakYEiABEgJZcPD_BwE (Year: 2019).*
Shinola, unknown first available date, bloomingdales.com [online, [site visited Dec. 30, 2020], Available at internet URL: <https://www.bloomingdales.com/shop/product/shinola-navigator-leather-computer-briefcase?ID=3072194> (Year: 2020).*

* cited by examiner



FIG. 1



FIG. 2



FIG. 3

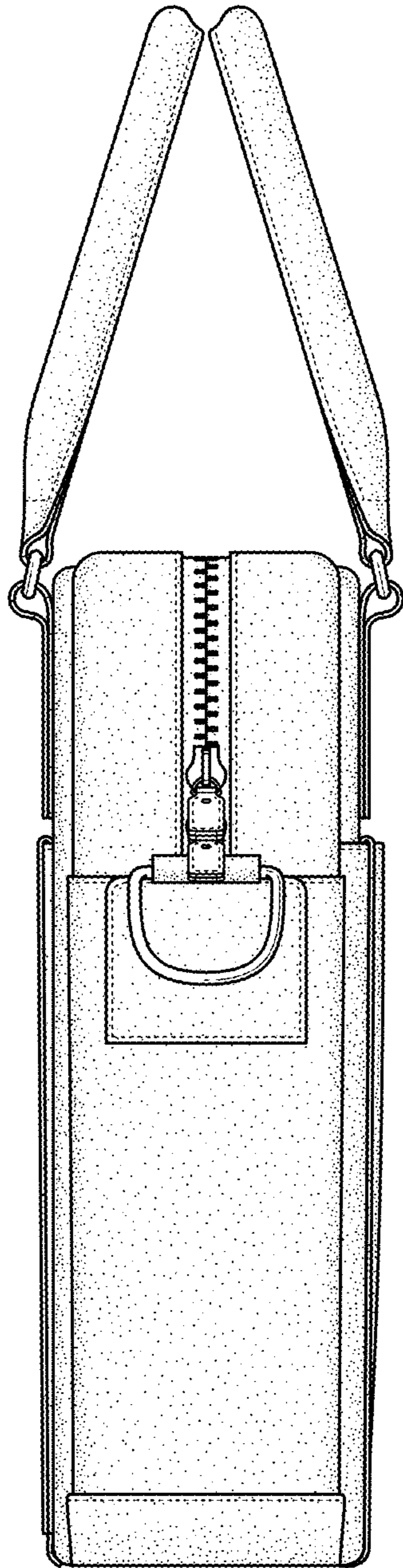


FIG. 4

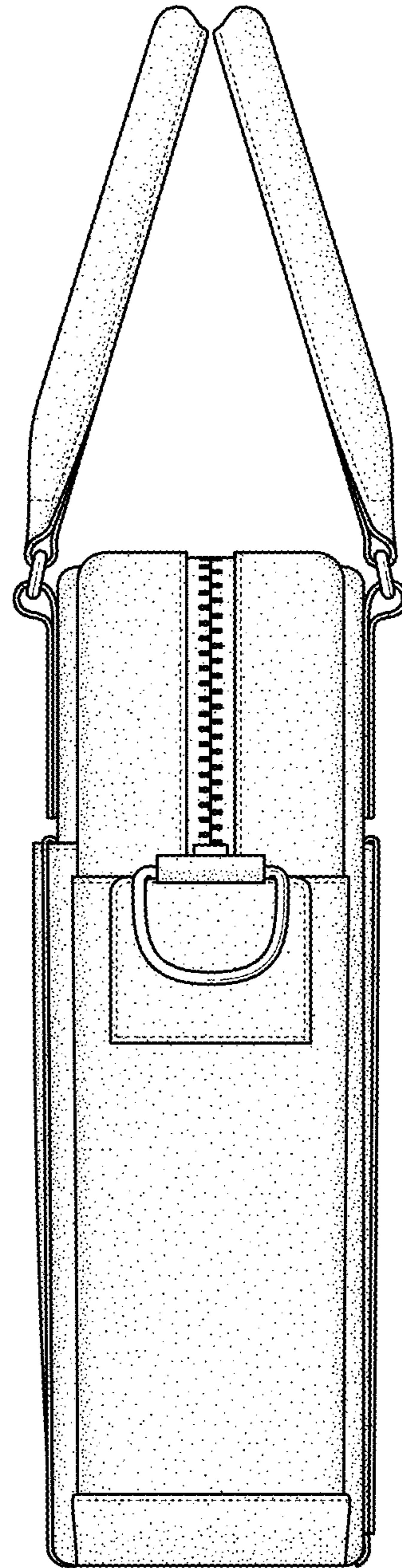


FIG. 5

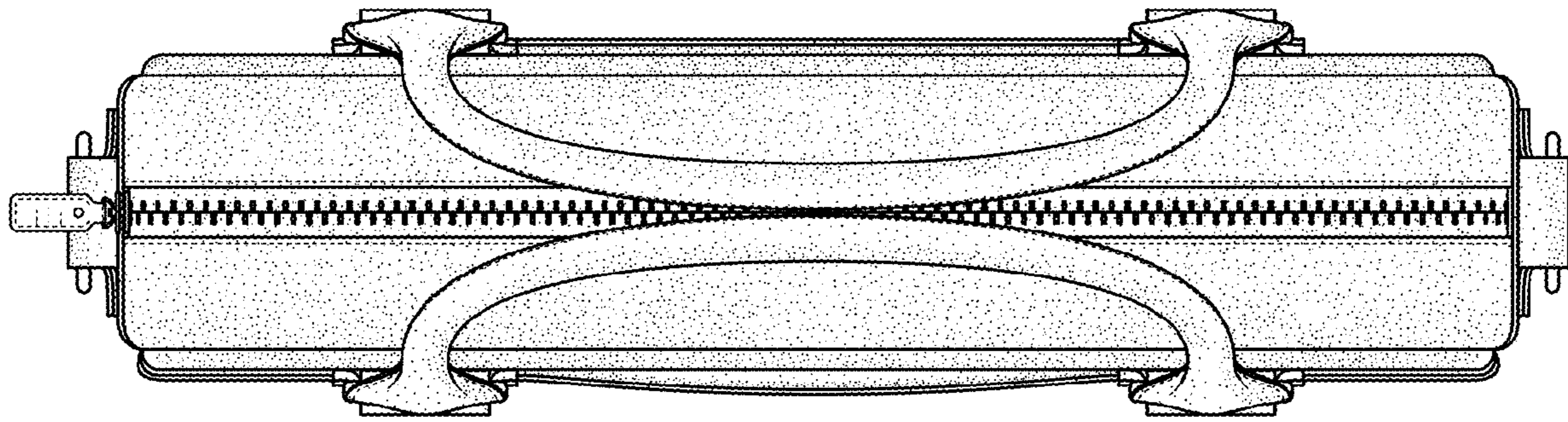


FIG. 6

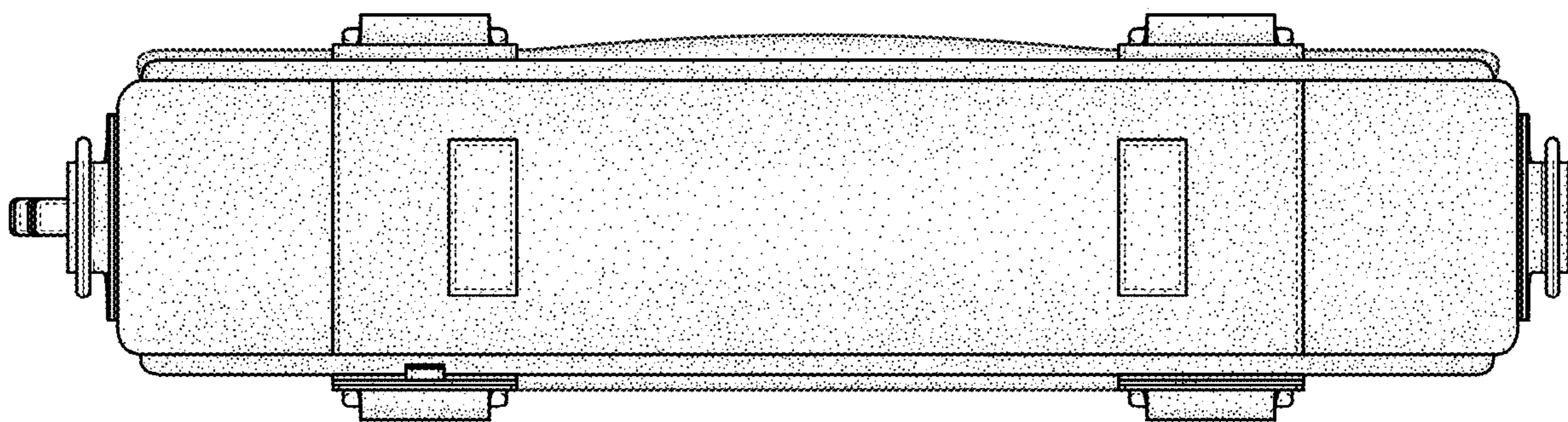


FIG. 7