



US00D922068S

(12) **United States Design Patent**
Wu

(10) **Patent No.:** **US D922,068 S**
(45) **Date of Patent:** **** Jun. 15, 2021**

(54) **BRIEFCASE**

DESCRIPTION

- (71) Applicant: **TUMI, INC.**, Edison, NJ (US)
- (72) Inventor: **Peter C. Wu**, Sunnyside, NY (US)
- (73) Assignee: **TUMI, INC.**, Edison, NJ (US)
- (**) Term: **15 Years**
- (21) Appl. No.: **29/675,552**
- (22) Filed: **Jan. 3, 2019**
- (51) **LOC (13) Cl.** **03-01**
- (52) **U.S. Cl.**
USPC **D3/289; D3/900**
- (58) **Field of Classification Search**
USPC D3/217, 226, 273, 276, 283, 289, 290,
D3/301, 900

(Continued)

(56) **References Cited**

U.S. PATENT DOCUMENTS

- D269,741 S 7/1983 Stark
- D275,821 S 10/1984 Iszler

(Continued)

OTHER PUBLICATIONS

TUMI USA, "Barnet Double Zip Brief", First reviewed Feb. 28, 2020. (<https://www.tumi.com/p/barnet-double-zip-brief-01253461164/>) (Year: 2020).*

(Continued)

Primary Examiner — April Rivas

(74) *Attorney, Agent, or Firm* — Lando & Anastasi, LLP

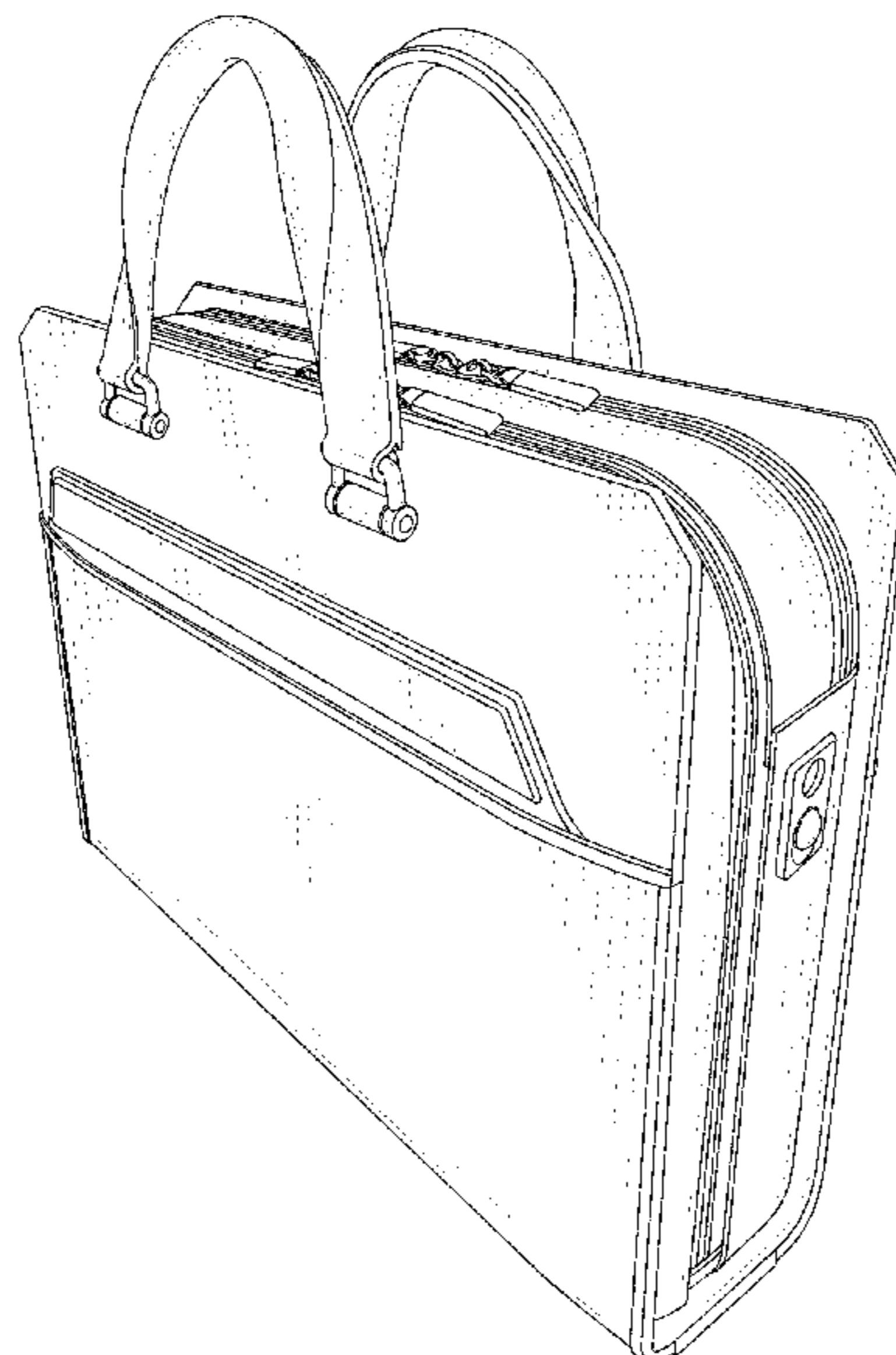
(57) **CLAIM**

The ornamental design for a briefcase, as shown and described.

FIG. 1 is a front perspective view of an embodiment of a briefcase with a front flap in a first orientation;
 FIG. 2 is a front view of the embodiment of the briefcase of FIG. 1;
 FIG. 3 is a rear view of the embodiment of the briefcase of FIG. 1;
 FIG. 4 is a left side view of the embodiment of the briefcase of FIG. 1;
 FIG. 5 is a right side view of the embodiment of the briefcase of FIG. 1;
 FIG. 6 is a top view of the embodiment of the briefcase of FIG. 1;
 FIG. 7 is a bottom view of the embodiment of the briefcase of FIG. 1;
 FIG. 8 is a front perspective view of the embodiment of the briefcase of FIG. 1 with the front flap in a second orientation;
 FIG. 9 is a front perspective view of an embodiment of a briefcase with a front flap in a first orientation;
 FIG. 10 is a front view of the embodiment of the briefcase of FIG. 9;
 FIG. 11 is a rear view of the embodiment of the briefcase of FIG. 9;
 FIG. 12 is a left side view of the embodiment of the briefcase of FIG. 9;
 FIG. 13 is a right side view of the embodiment of the briefcase of FIG. 9;
 FIG. 14 is a top view of the embodiment of the briefcase of FIG. 9;
 FIG. 15 is a bottom view of the embodiment of the briefcase of FIG. 9; and,
 FIG. 16 is a front perspective view of the embodiment of the briefcase of FIG. 9 with the front flap in a second orientation.

The broken lines shown in the figures are for illustrative purposes only and form no part of the claimed design. The drawings include grey surface shading that represents contour and not surface ornamentation or color.

1 Claim, 16 Drawing Sheets



(58) **Field of Classification Search**
 CPC A45C 3/02
 See application file for complete search history.

(56) **References Cited**

U.S. PATENT DOCUMENTS

D342,608 S	12/1993	Gerner
D358,483 S	5/1995	Cross et al.
D360,978 S	8/1995	Willard et al.
D361,205 S	8/1995	Hughes
D429,065 S	8/2000	Hillman
D441,533 S	5/2001	Tawil
D443,417 S	6/2001	Hillman
D443,983 S	6/2001	Hillman
D456,601 S	5/2002	Kegels
D456,993 S	5/2002	Lin et al.
6,431,334 B1	8/2002	Lin et al.
D464,197 S	10/2002	Kegels
D468,101 S	1/2003	Hassett
6,581,736 B1	6/2003	Scicluna
D481,204 S	10/2003	Rada
D498,924 S	11/2004	Karl
D505,012 S	5/2005	Godshaw et al.
D506,609 S	6/2005	Hillman
D518,956 S	4/2006	Van Himbeeck
D524,050 S	7/2006	Suppangig
D534,353 S	1/2007	Hsieh
D548,963 S	8/2007	Aliberti et al.
D552,350 S	10/2007	Bosley
D588,809 S	3/2009	Shor et al.
D591,045 S	4/2009	Chu et al.
D594,652 S	6/2009	Guyon et al.
D596,398 S	7/2009	Chu et al.
D596,402 S	7/2009	Chu et al.
D609,008 S	2/2010	Diamant
D620,708 S	8/2010	Sanz
D624,312 S	9/2010	Chu et al.
D629,606 S	12/2010	Guichot
D646,054 S	10/2011	Littleton
D655,084 S	3/2012	Shor et al.
D668,456 S	10/2012	Du
D674,187 S	1/2013	Jobert
D675,019 S	1/2013	Jacobson
D696,014 S	12/2013	Ng
D698,548 S	2/2014	Jacobs
D722,228 S	2/2015	Zwetzig
D733,423 S	7/2015	Dumas

D742,634 S	11/2015	Zwetzig
D775,825 S	1/2017	Chehebar et al.
D804,820 S	12/2017	Tobias
D813,539 S	3/2018	Van Assche
D822,986 S	7/2018	Viger et al.
D824,170 S	7/2018	Tobias
D833,745 S	11/2018	Barenbrug
D858,988 S *	9/2019	Dumas D3/289
D885,752 S *	6/2020	Dumas D3/217
D904,021 S *	12/2020	Sanz D3/283
2004/0045781 A1	3/2004	Scicluna et al.
2007/0193902 A1	8/2007	Myers et al.
2008/0230338 A1	9/2008	Liang
2009/0288925 A1	11/2009	Hess et al.
2010/0288591 A1	11/2010	Drew et al.
2013/0075213 A1	3/2013	Chi Yueh Chen et al.

OTHER PUBLICATIONS

Sz-Wholesale, Quinley Leather Expandable Executive Laptop Case, Update time listed as Jan. 2, 2013. <http://www.sz-wholesale.com/p/Executive-Laptop-Case/Expandable-Executive-Laptop-Case-Quinley-Leather-569403.html>.

Sz-Wholesale, Options 600D, Update time listed as Aug. 23, 2010. http://www.sz-wholesale.com/shenzhen_China_products/Portfolio-Bag_1.htm.

Amazon, "Tumi Alpha Slim Messenger Shoulder Bag, Black, One Size", First question asked dated Dec. 5, 2017. (<https://www.amazon.com/Tumi-Alpha-Messenger-Shoulder-Black/dp/B01N7R514C>) (Year: 2017).

Amazon, "Tumi Men's Alpha Fallon Messenger Bag", First on sale listed as Jan. 25, 2018. (<https://www.amazon.com/Tumi-Alpha-Bravo-Fallon-Messenger/dp/B078211G2B>) (Year: 2018).

Waterfield, "Maverick Leather Laptop Messenger RBag", Embedded youtube video showing product dated Jan. 24, 2017. (<https://www.sfbags.com/products/maverick-leather-laptop-messenger-bag>) (Year: 2017).

Amazon, "Tumi—Alpha Bravo Albany Laptop Slim Commuter Brief Briefcase—14 Inch Computer Bag for Men and Women—Black", First reviewed Oct. 12, 2015. (<https://www.amazon.com/TUMI-Albany-Commuter-Briefcase-Computer/dp/B0782119M6>) (Year: 2015).

Amazon, "Bostanten Leather Briefcase Messenger Business Bags . . .", First reviewed Sep. 14, 2018. (<https://www.amazon.com/d/B07F9PRK2J/>) (Year: 2018).

* cited by examiner



FIG. 1

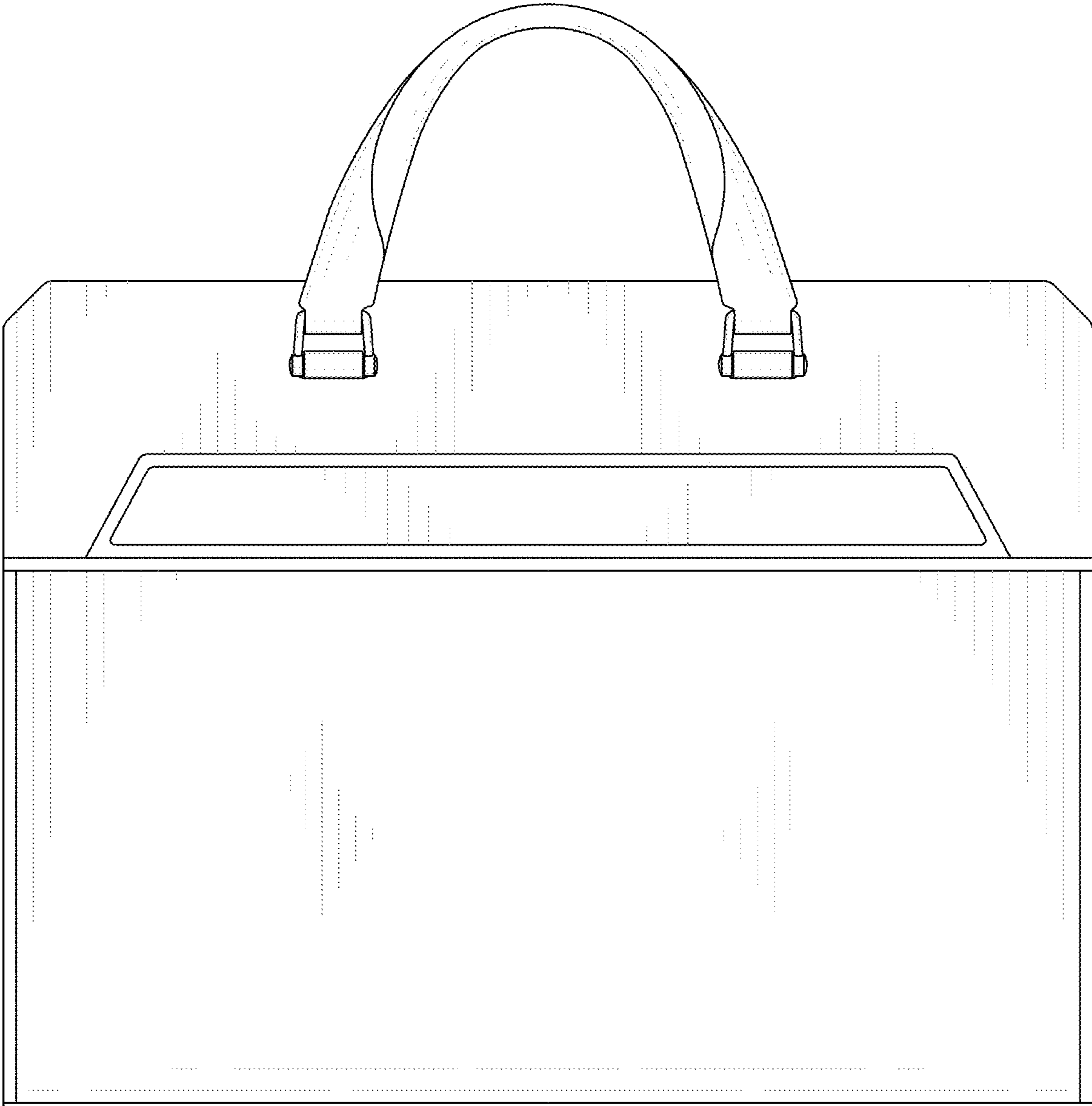


FIG. 2



FIG. 3

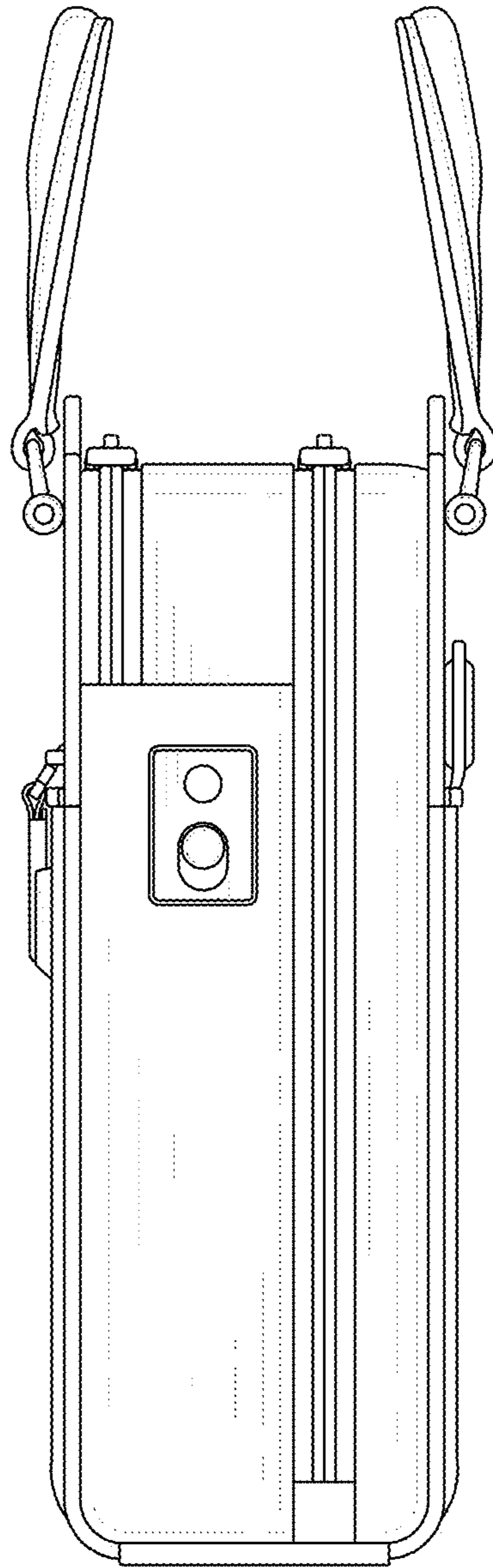


FIG. 4

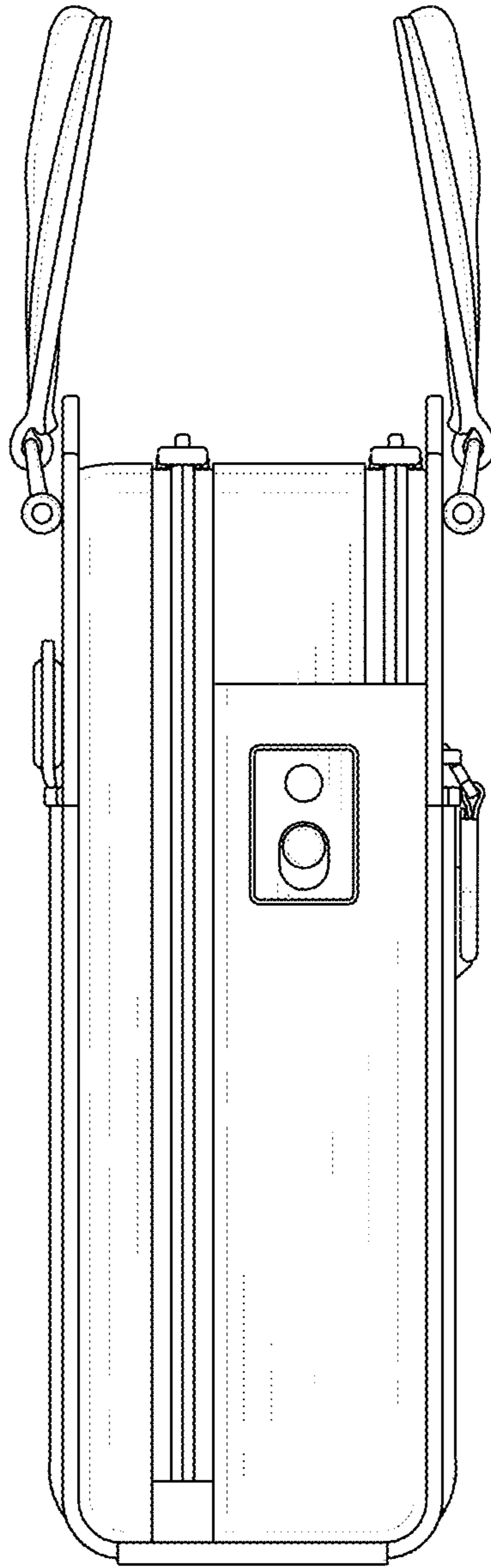


FIG. 5

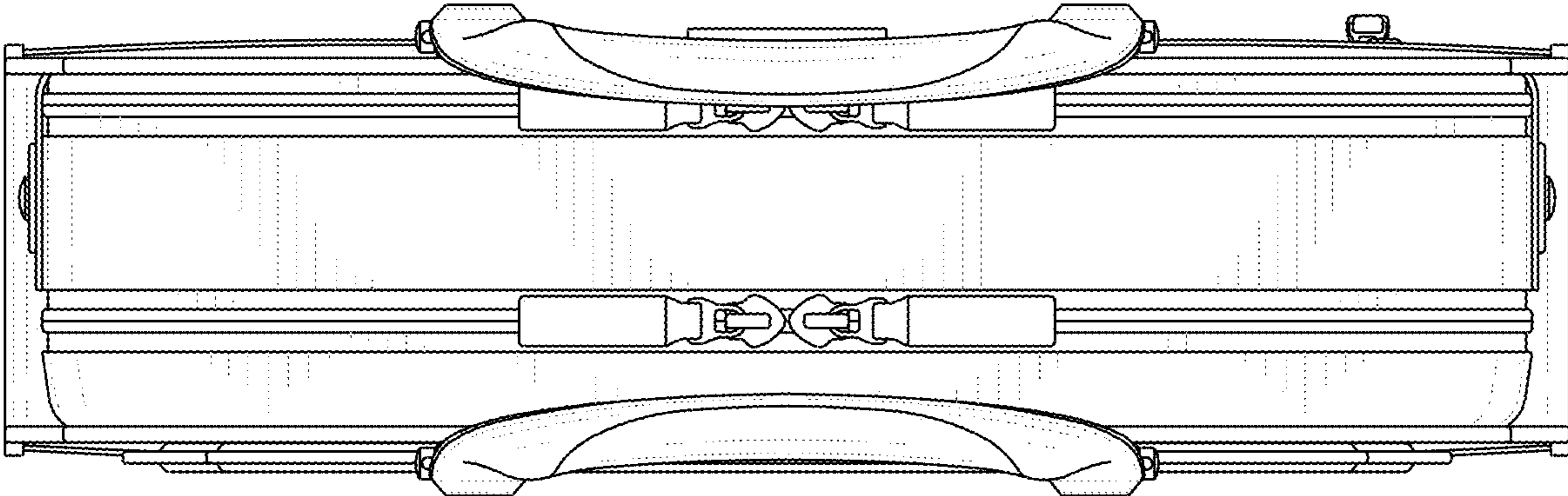


FIG. 6

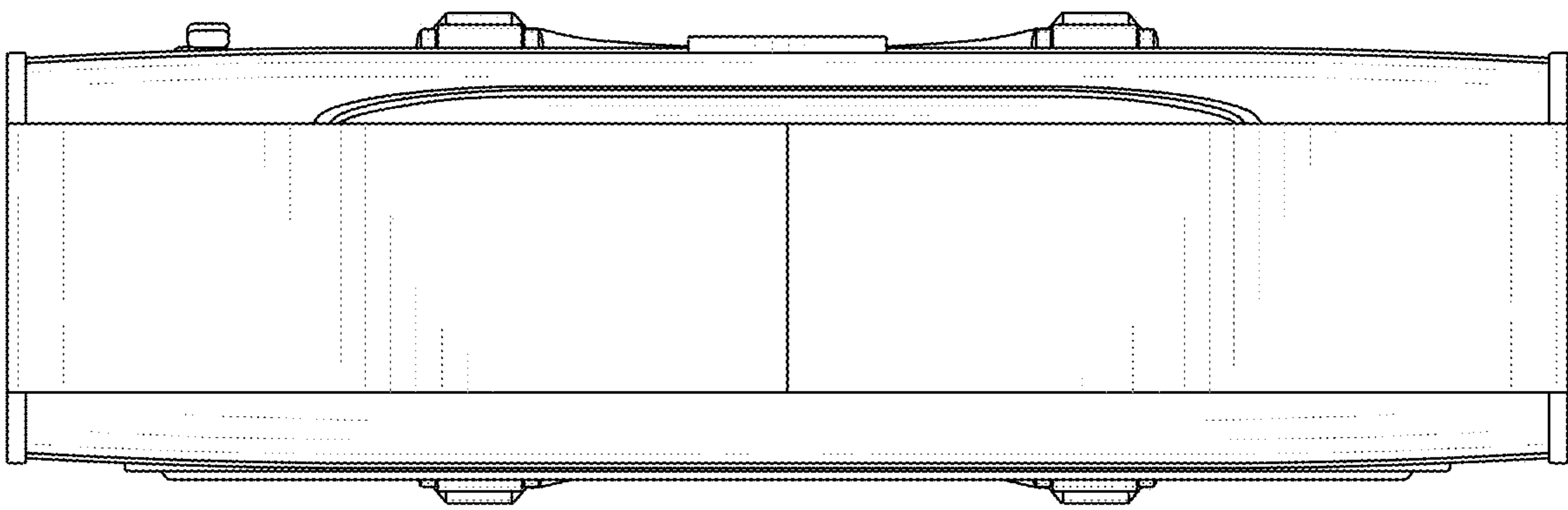


FIG. 7



FIG. 8



FIG. 9

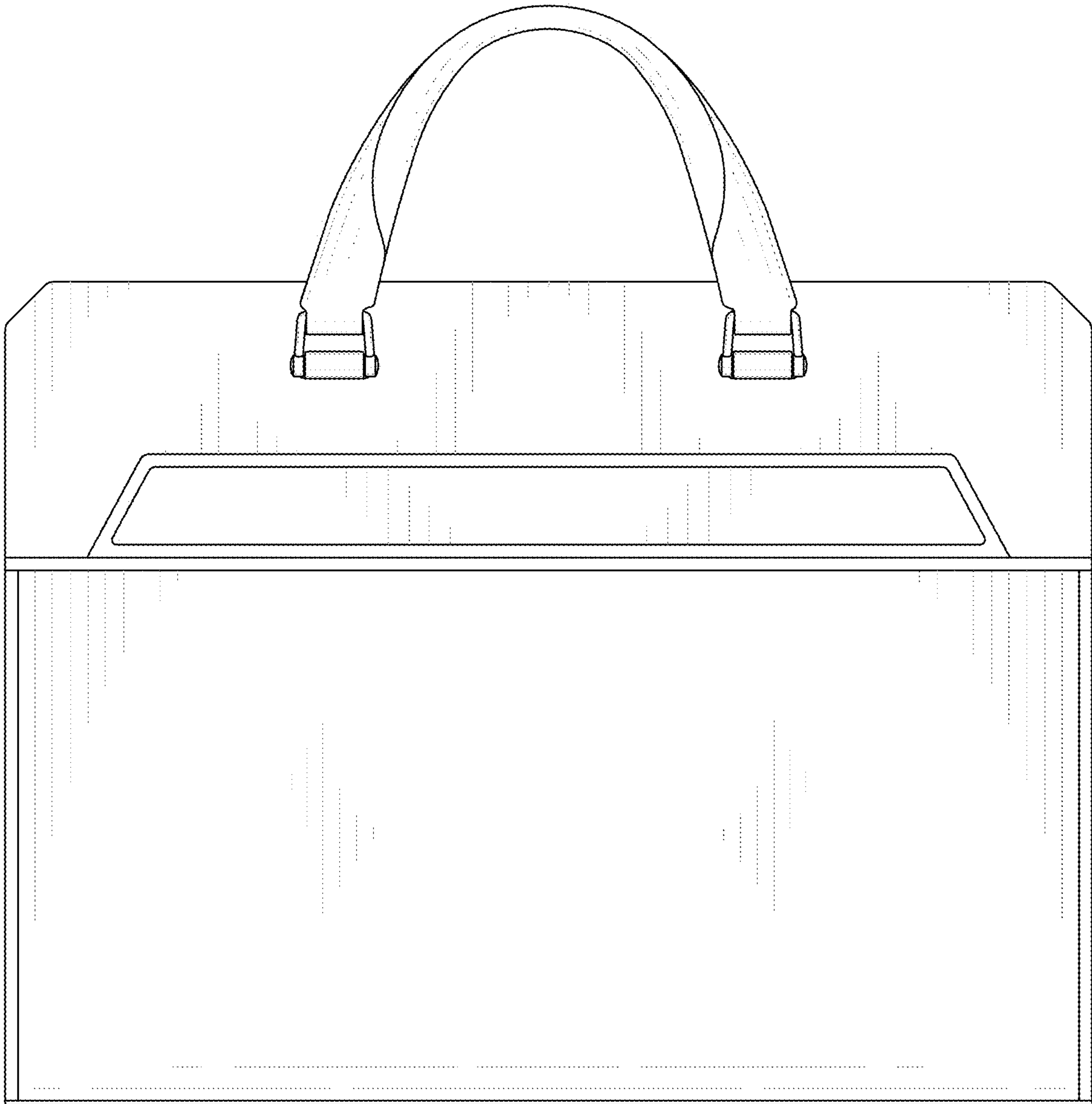


FIG. 10



FIG. 11

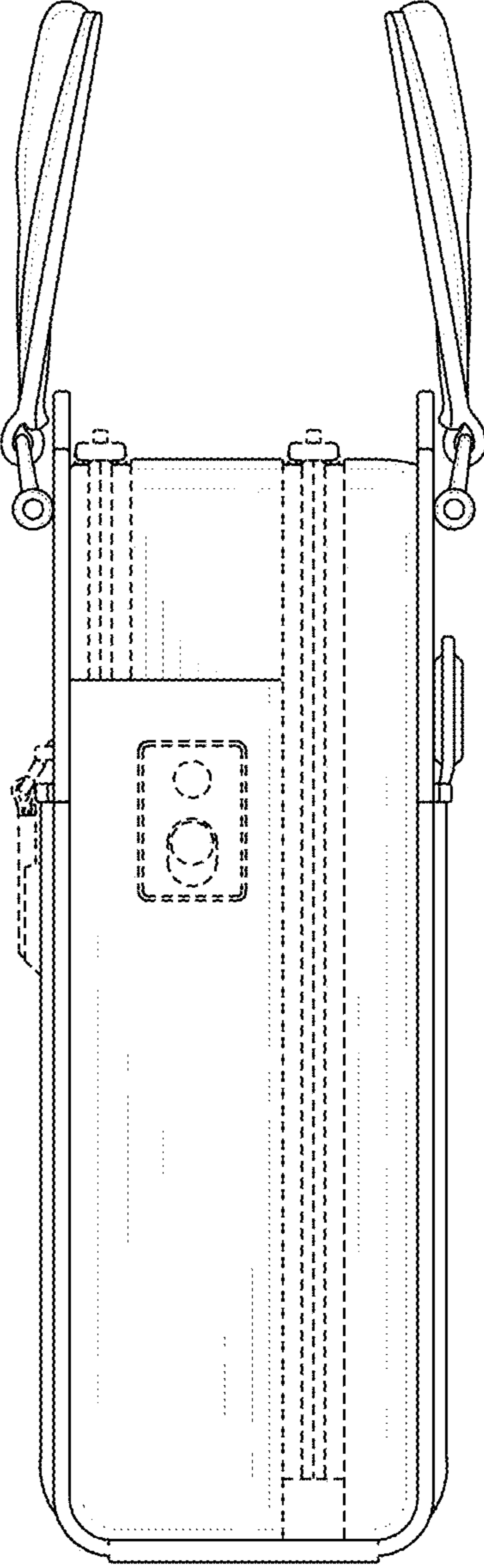


FIG. 12

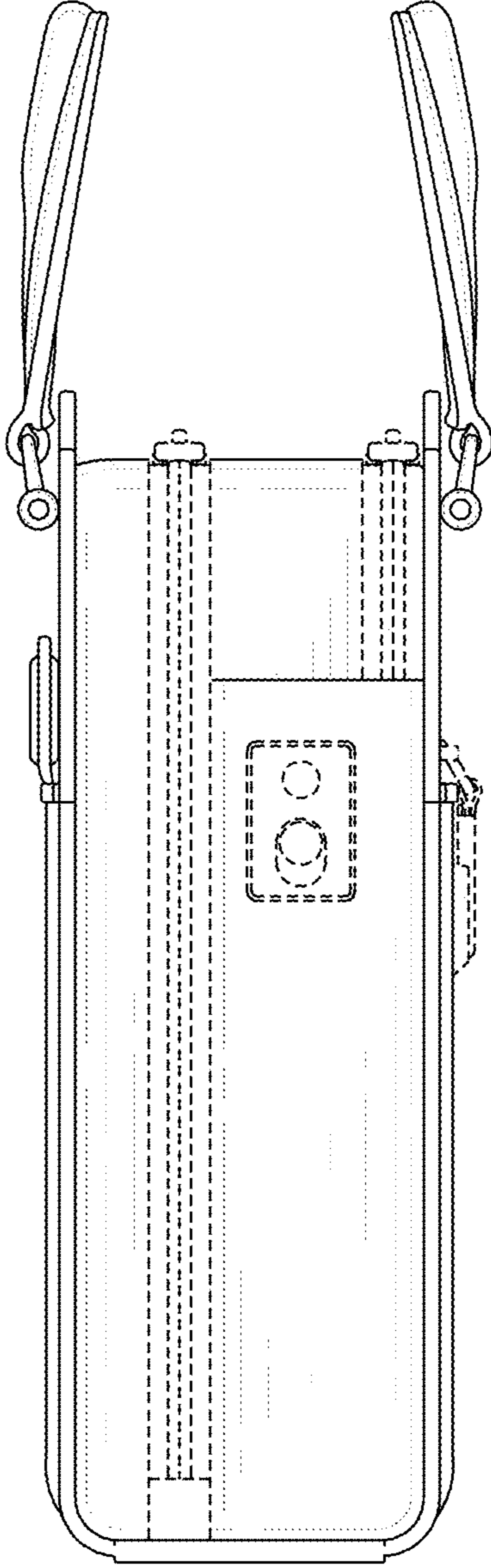


FIG. 13

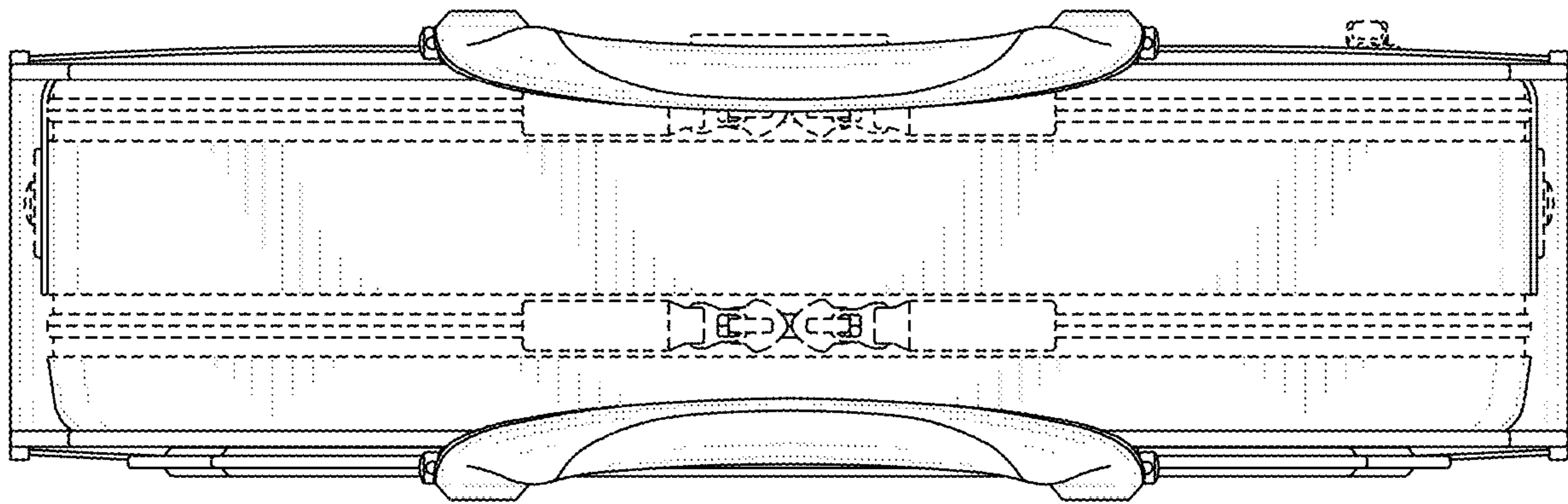


FIG. 14

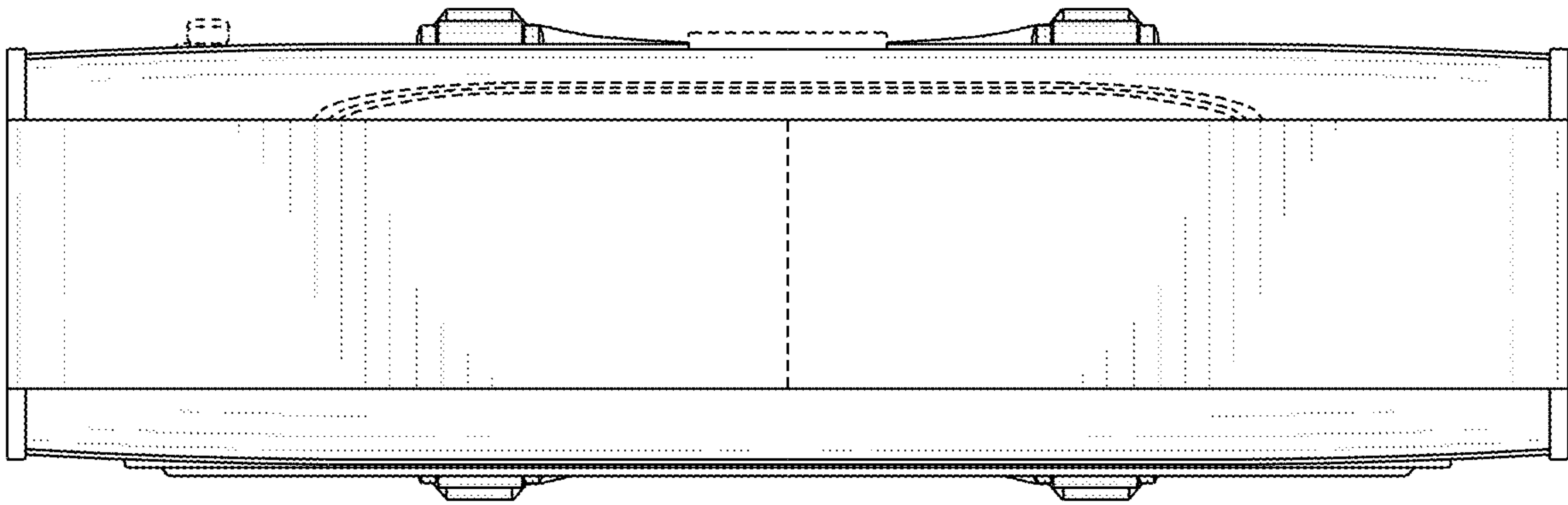


FIG. 15



FIG. 16