



US00D922067S

(12) **United States Design Patent**
Huang et al.

(10) **Patent No.:** **US D922,067 S**
(45) **Date of Patent:** **** Jun. 15, 2021**

(54) **SUITCASE**
(71) Applicant: **BEIJING XIAOMI MOBILE SOFTWARE CO., LTD., Beijing (CN)**
(72) Inventors: **Suyan Huang, Beijing (CN); Tong Xiao, Beijing (CN)**
(73) Assignee: **BEIJING XIAOMI MOBILE SOFTWARE CO., LTD., Beijing (CN)**
(**) Term: **15 Years**
(21) Appl. No.: **35/508,142**
(22) Filed: **Oct. 25, 2019**
(80) **Hague Agreement Data**
Int. Filing Date: **Oct. 25, 2019**
Int. Reg. No.: **DM/204812**
Int. Reg. Date: **Oct. 25, 2019**
Int. Reg. Pub. Date: **Dec. 20, 2019**

D712,658 S * 9/2014 Lai D3/279
D714,056 S * 9/2014 Weng D3/279
D767,893 S * 10/2016 Diz D3/279
D784,016 S * 4/2017 Morszeck D3/279
D785,937 S * 5/2017 Morszeck D3/279
D788,460 S * 6/2017 Morszeck D3/279
D796,844 S * 9/2017 Morszeck D3/321
D809,294 S * 2/2018 Tong D3/279
D812,909 S * 3/2018 Morszeck D3/279
D824,168 S * 7/2018 Morszeck D3/279
D873,024 S * 1/2020 Usui D3/321
D882,948 S * 5/2020 Xu D3/279
D889,828 S * 7/2020 Georgi D3/279
D899,083 S * 10/2020 Rubio D3/279
D899,084 S * 10/2020 Rubio D3/279
2017/0079398 A1 * 3/2017 Reh A45C 13/42

* cited by examiner

Primary Examiner — Richard E Chilcot
(74) *Attorney, Agent, or Firm* — Dickinson Wright PLLC

(30) **Foreign Application Priority Data**
Apr. 29, 2019 (CN) 201930206780.9
(51) **LOC (13) Cl.** **03-01**
(52) **U.S. Cl.**
USPC **D3/279**
CPC **A45C 5/00 (2013.01)**
(58) **Field of Classification Search**
USPC D3/273–289, 321, 900, 902
CPC A45C 5/00; A45C 2003/008; A45C 3/02;
A45C 5/03; A45C 2005/032; A45C
2005/035; A45C 2005/037; A45C 5/06;
A45C 5/14; A45C 2005/142; A45C
2200/20; A45C 3/12
See application file for complete search history.

(57) **CLAIM**

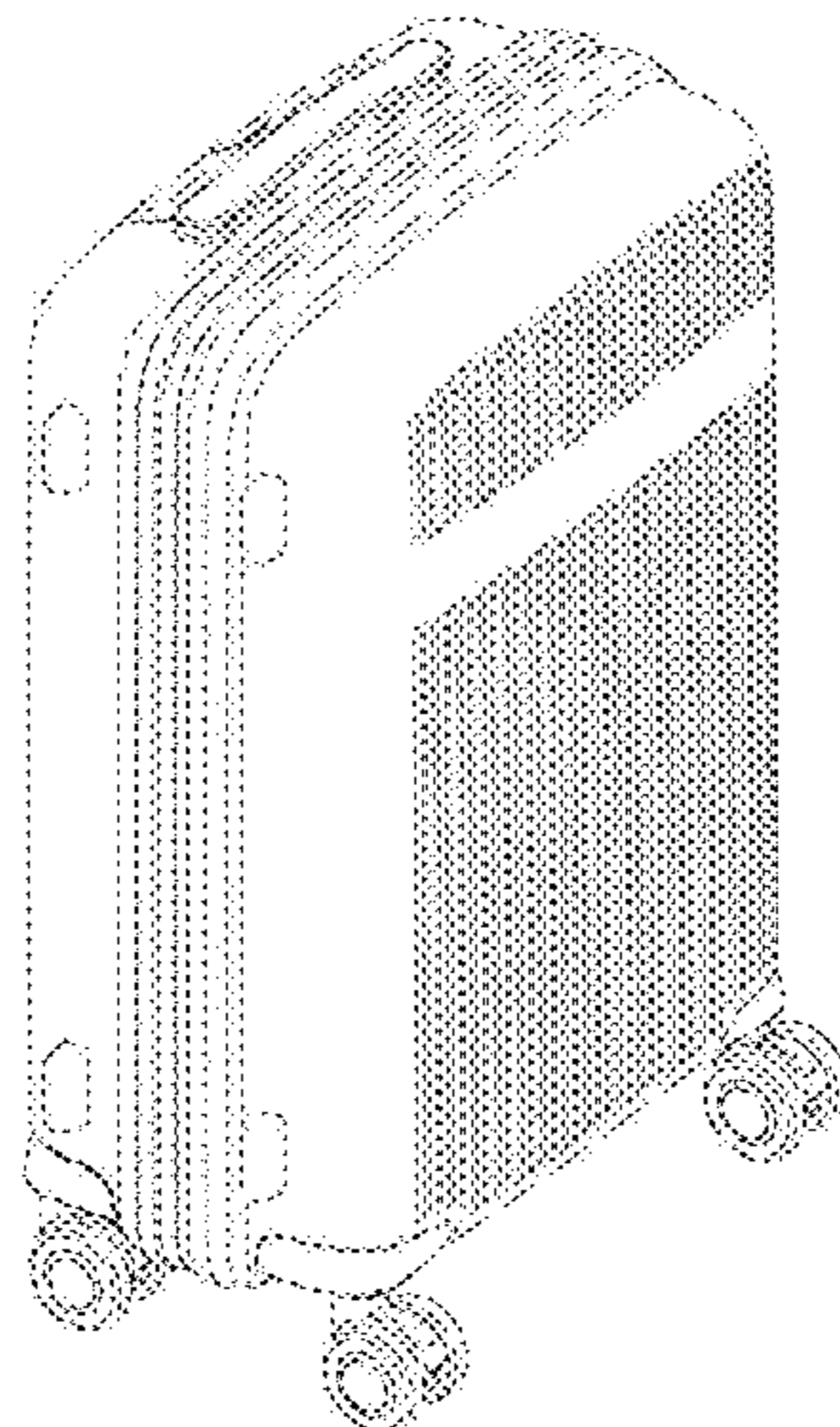
The ornamental design for a suitcase, as shown and described.

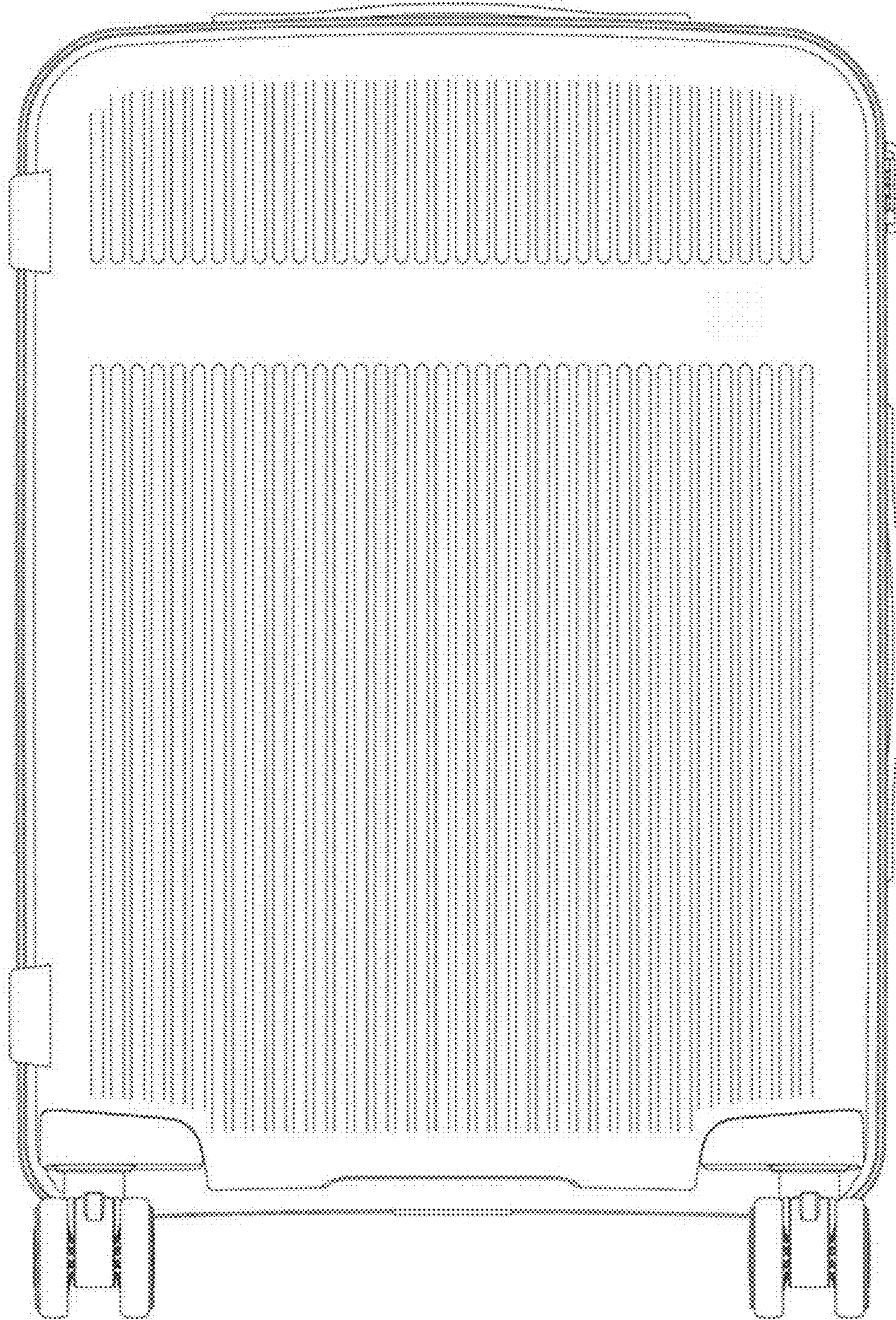
DESCRIPTION

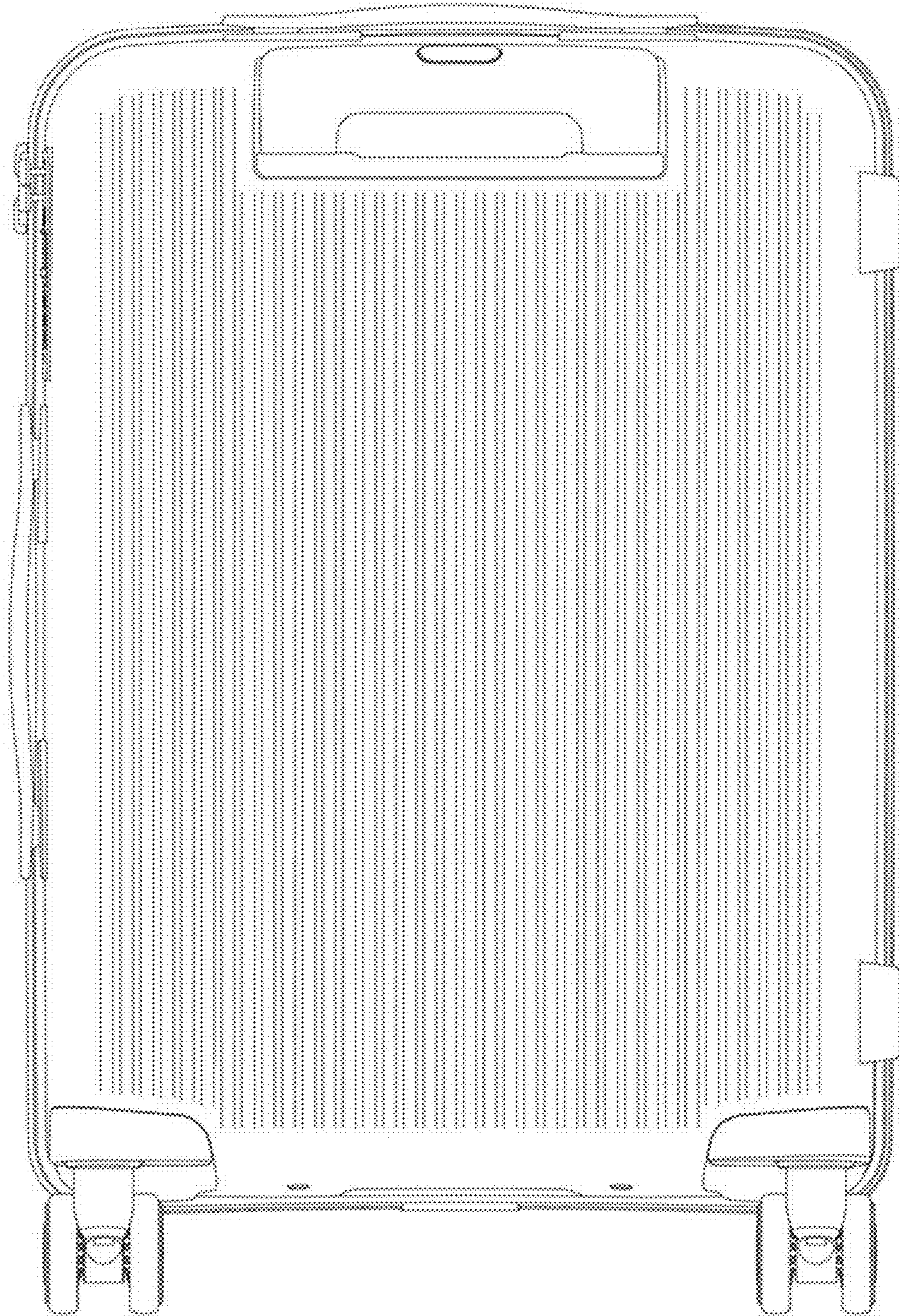
1. Suitcase
1.1 : Front
1.2 : Back
1.3 : Left
1.4 : Right
1.5 : Top
1.6 : Bottom
1.7 : Perspective
1.1 is a front elevation view of a suitcase showing our new design; 1.2 is a back elevation view thereof; 1.3 is a left side elevation view thereof; 1.4 is a right plan view thereof; 1.5 is a top plan view thereof; 1.6 is a bottom plan view thereof; and 1.7 is a perspective view thereof.

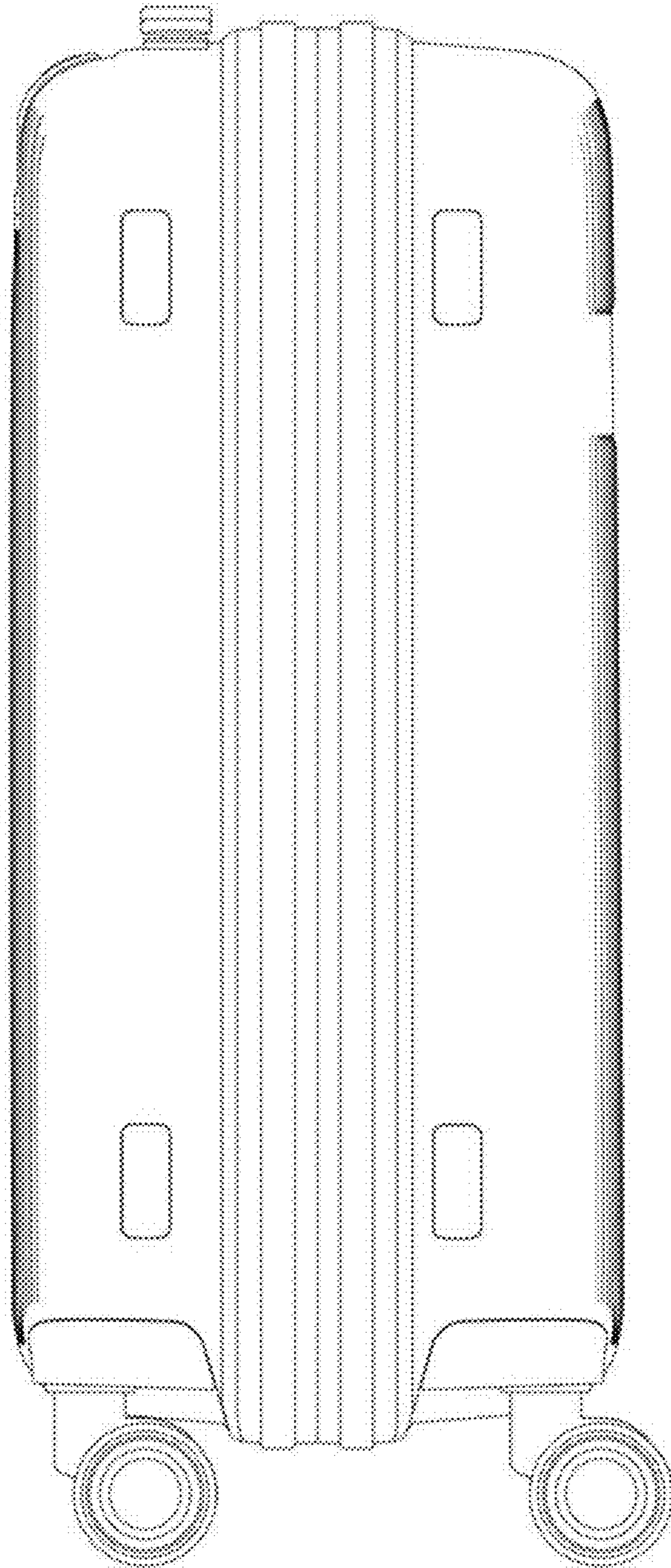
(56) **References Cited**
U.S. PATENT DOCUMENTS
D563,101 S * 3/2008 Kuchler D3/279
D587,902 S * 3/2009 Yoneno D3/279

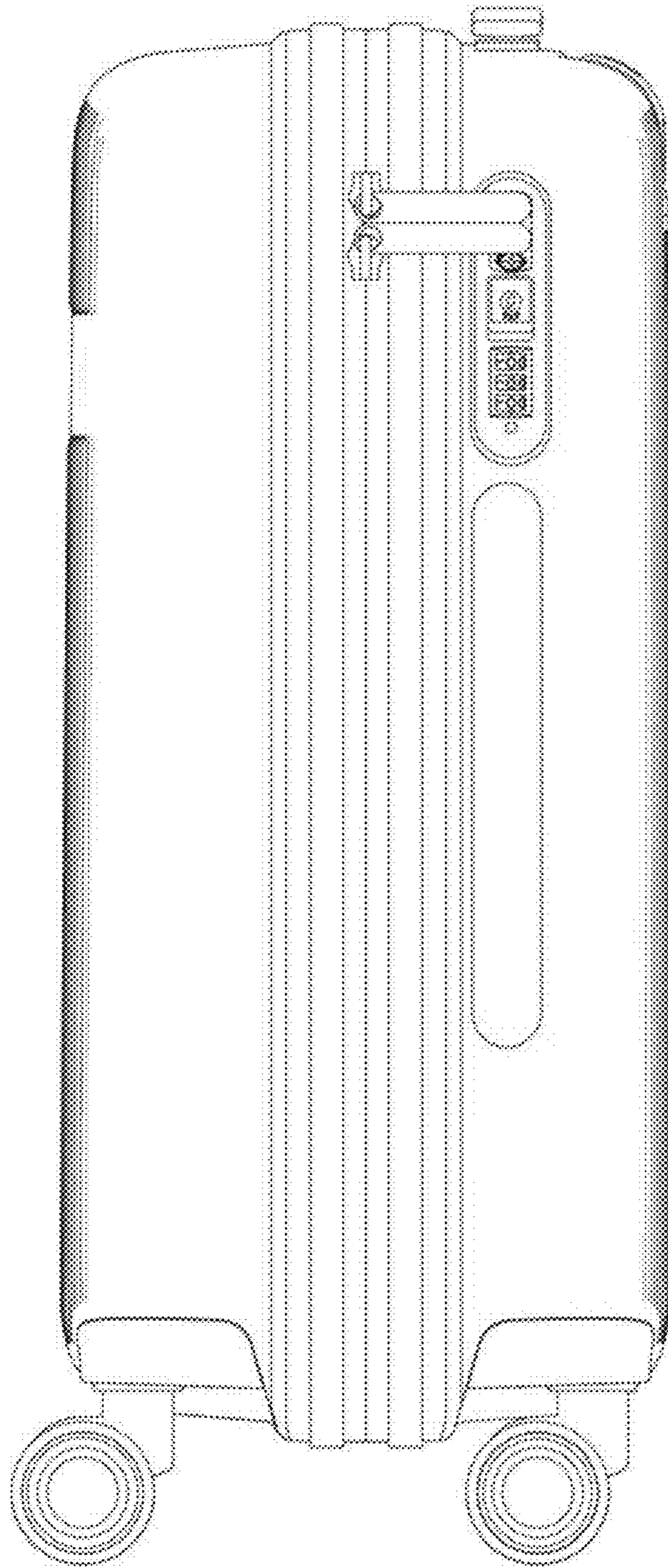
1 Claim, 7 Drawing Sheets

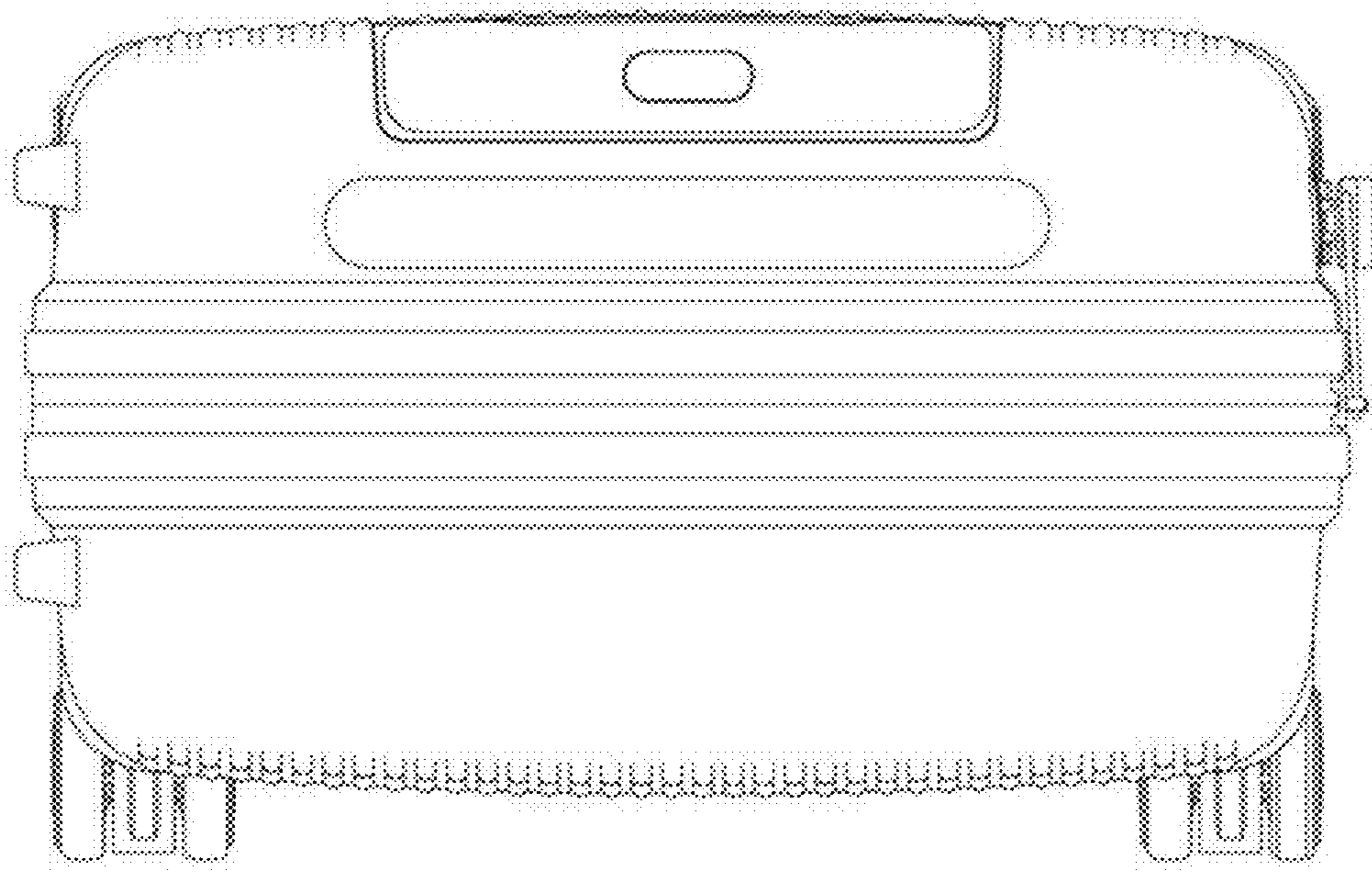




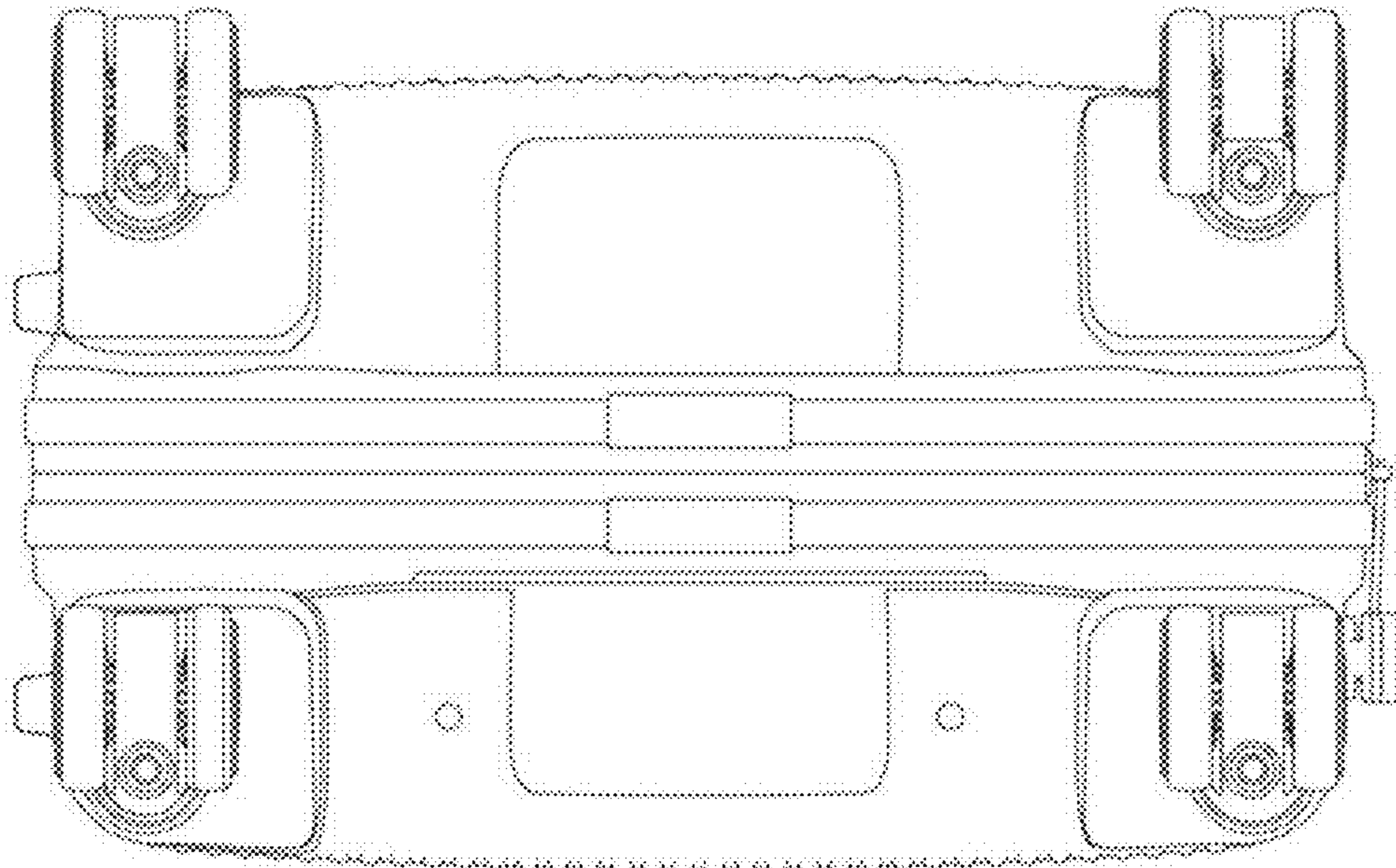




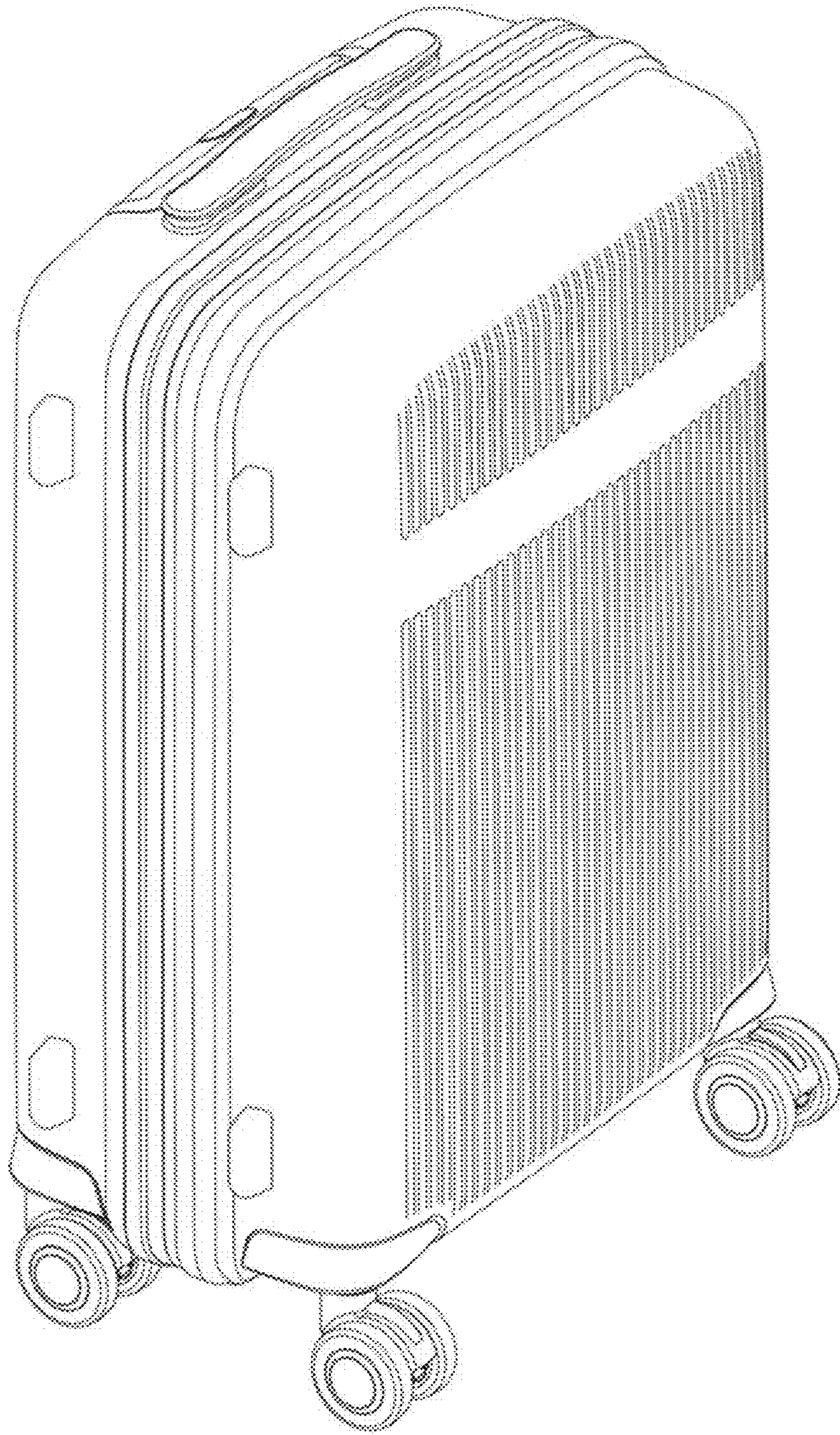




1.5



1.6



1.7