



US00D922066S

(12) **United States Design Patent**
Chen

(10) **Patent No.:** **US D922,066 S**

(45) **Date of Patent:** **** Jun. 15, 2021**

(54) **GUN CLEANING KIT BAG**

(71) Applicant: **Sheng Chen**, Ningbo (CN)

(72) Inventor: **Sheng Chen**, Ningbo (CN)

(**) Term: **15 Years**

(21) Appl. No.: **29/749,933**

(22) Filed: **Sep. 10, 2020**

(51) **LOC (13) Cl.** **03-01**

(52) **U.S. Cl.**

USPC **D3/262**; D3/904

(58) **Field of Classification Search**

USPC D3/299, 262, 201, 20–21, 205–206, 254,
D3/295, 300–303, 315, 901, 904;
206/315.11, 317, 362, 373, 473, 579, 581;
42/95

CPC A45C 11/00; A45C 11/008; A45C 13/02;
F41A 29/00; F41C 33/00; F41C 33/06;
B65D 85/00; B25H 3/02

See application file for complete search history.

(56) **References Cited**

U.S. PATENT DOCUMENTS

1,722,507	A *	7/1929	Stanley	A45C 11/008
					206/581
3,369,721	A *	2/1968	Lentz	F41C 33/06
					206/317
D213,601	S *	3/1969	Benke	D3/295
D241,079	S *	8/1976	Minneman	D3/295
D291,745	S *	9/1987	Hansen	D3/284
4,901,464	A *	2/1990	Banoun	F41A 29/00
					206/315.11
D314,273	S *	2/1991	Minneman	D3/262
D375,621	S *	11/1996	Sudbrock	D3/20
D530,078	S *	10/2006	Siegal	D3/205
7,165,673	B2 *	1/2007	Marks	A45C 13/02
					206/373

D667,217	S *	9/2012	Buie, II	D3/262
D672,145	S *	12/2012	Buie, II	D3/262
D716,547	S *	11/2014	Pennington	D3/262
D763,575	S *	8/2016	Tiscareno-Rippe	D3/299
9,476,664	B2 *	10/2016	Williams	F41A 29/02
D897,675	S *	10/2020	Chen	D3/262
2005/0045510	A1 *	3/2005	Marks	B08B 9/00
					206/373
2010/0175296	A1	7/2010	Williams		
2011/0174679	A1	7/2011	Williams		
2012/0090215	A1 *	4/2012	Buie, II	B25H 3/023
					42/95
2013/0291421	A1	11/2013	Williams et al.		

* cited by examiner

Primary Examiner — Catherine R Oliver-Garcia

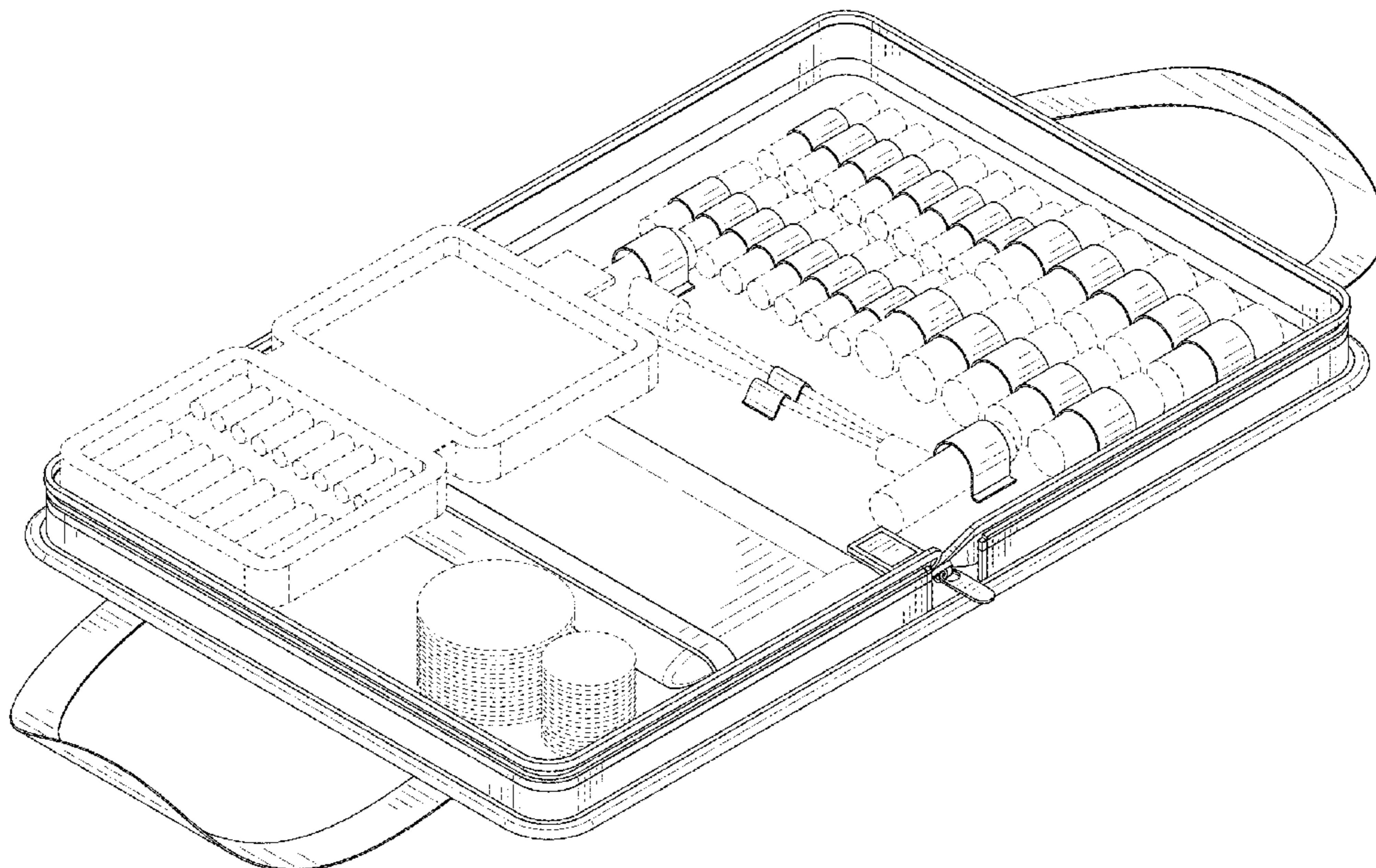
(57) **CLAIM**

The ornamental design for a gun cleaning kit bag, as shown and described.

DESCRIPTION

FIG. 1 is a perspective view of a gun cleaning kit bag showing my new design;
 FIG. 2 is another perspective view thereof;
 FIG. 3 is a front elevational view thereof;
 FIG. 4 is a rear elevational view thereof;
 FIG. 5 is a left side elevational view thereof;
 FIG. 6 is a right side elevational view thereof;
 FIG. 7 is a top plan view thereof;
 FIG. 8 is a bottom plan view thereof;
 FIG. 9 is a perspective view of the gun cleaning kit bag where the gun cleaning kit bag is in a configuration of use; and,
 FIG. 10 is an enlarged view of portion 10 shown in FIG. 1. The broken lines in the drawings depict portions of the gun cleaning kit bag that form no part of the claimed design.

1 Claim, 10 Drawing Sheets



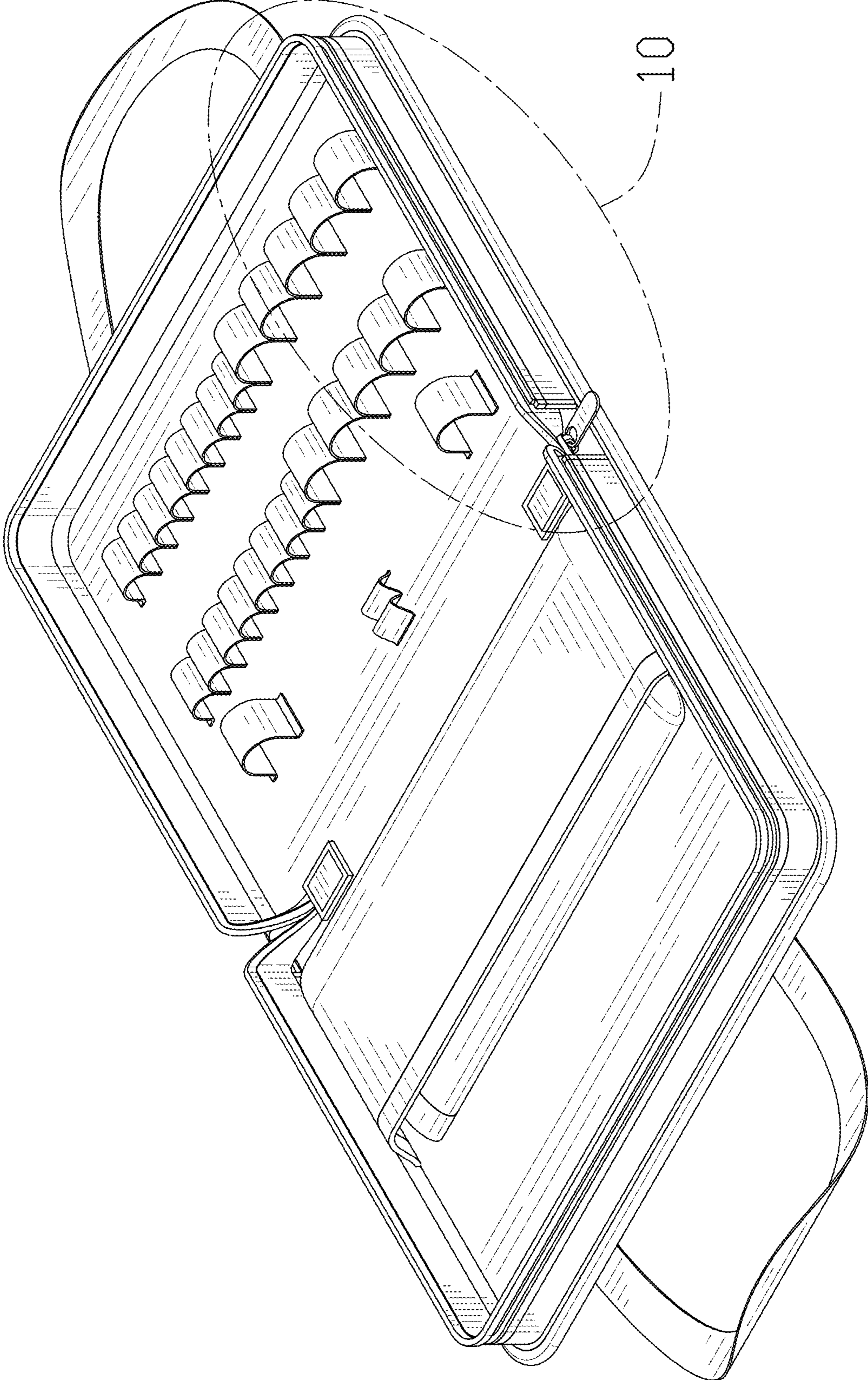


FIG. 1

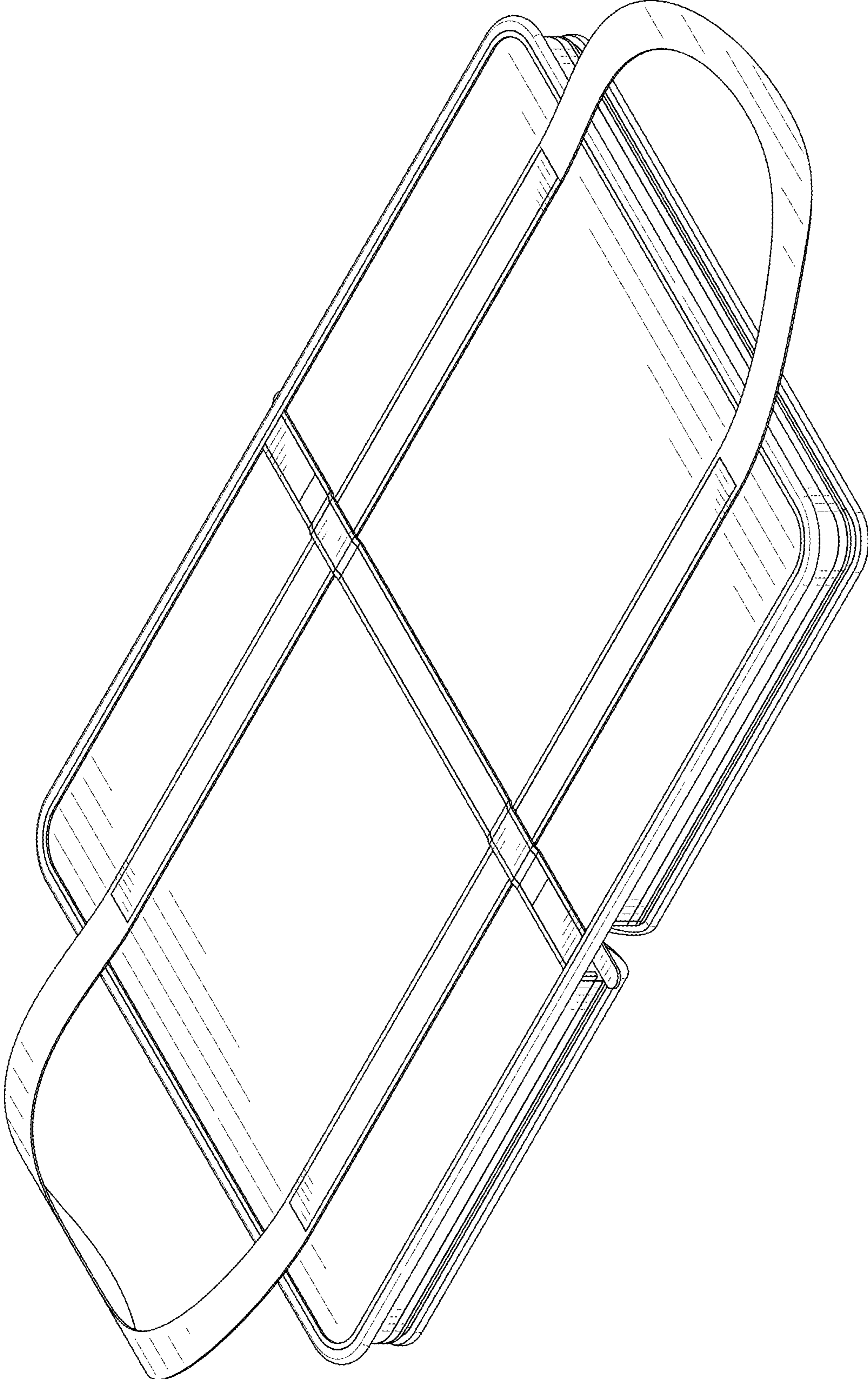


FIG. 2

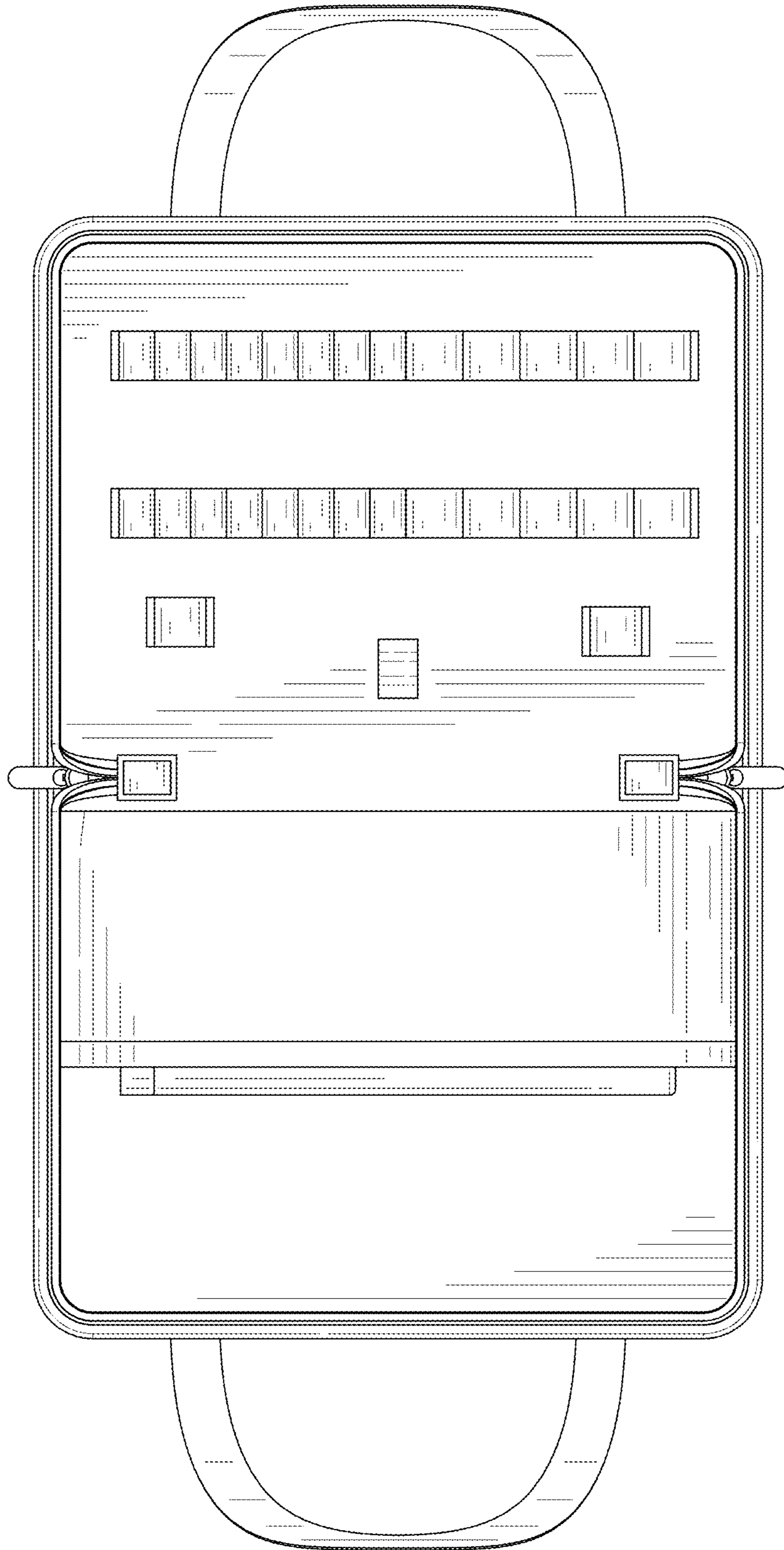


FIG. 3

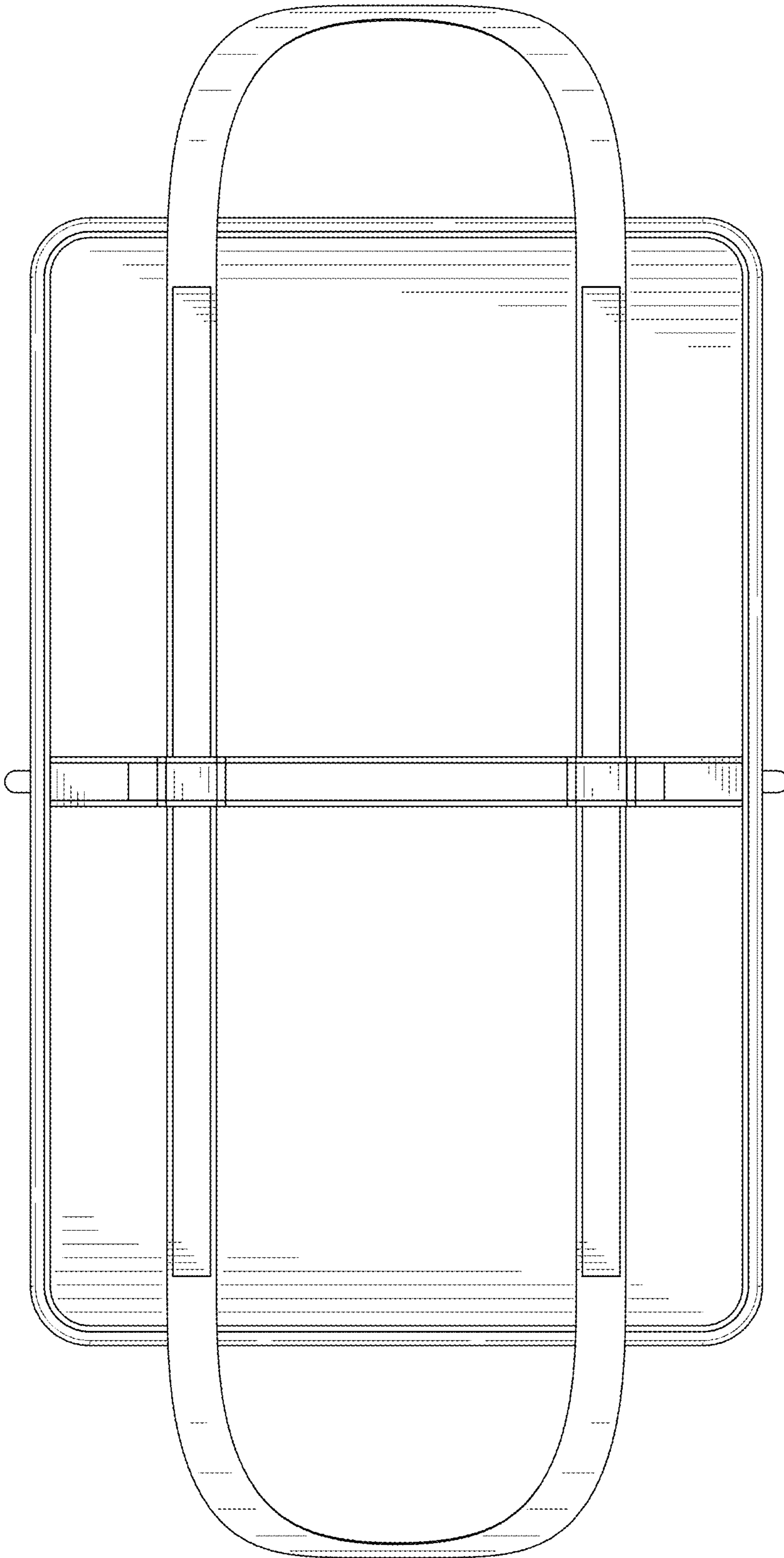


FIG. 4

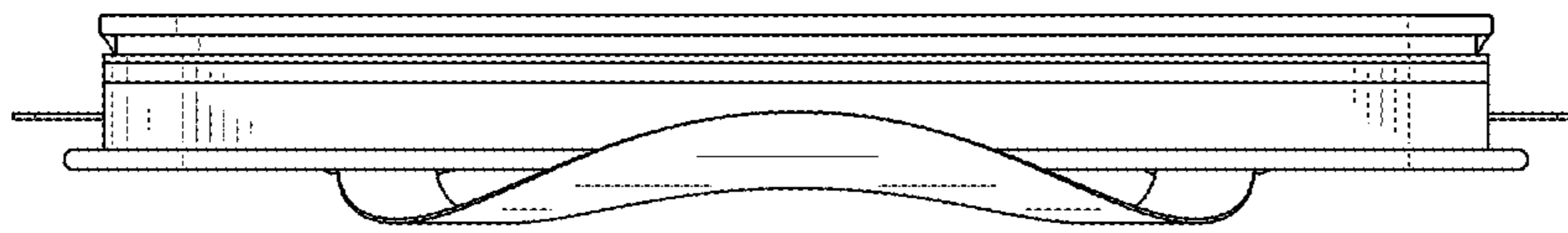


FIG. 5

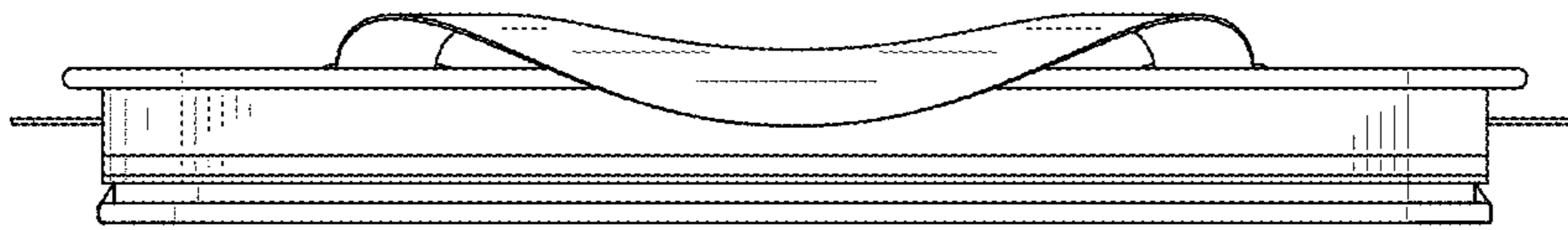


FIG. 6

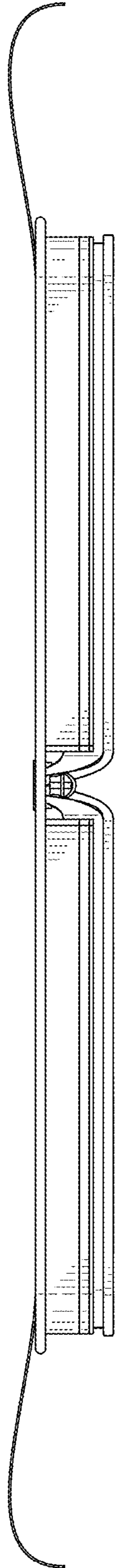


FIG. 7

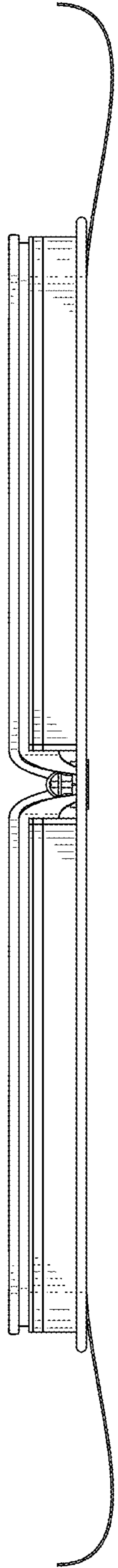


FIG. 8

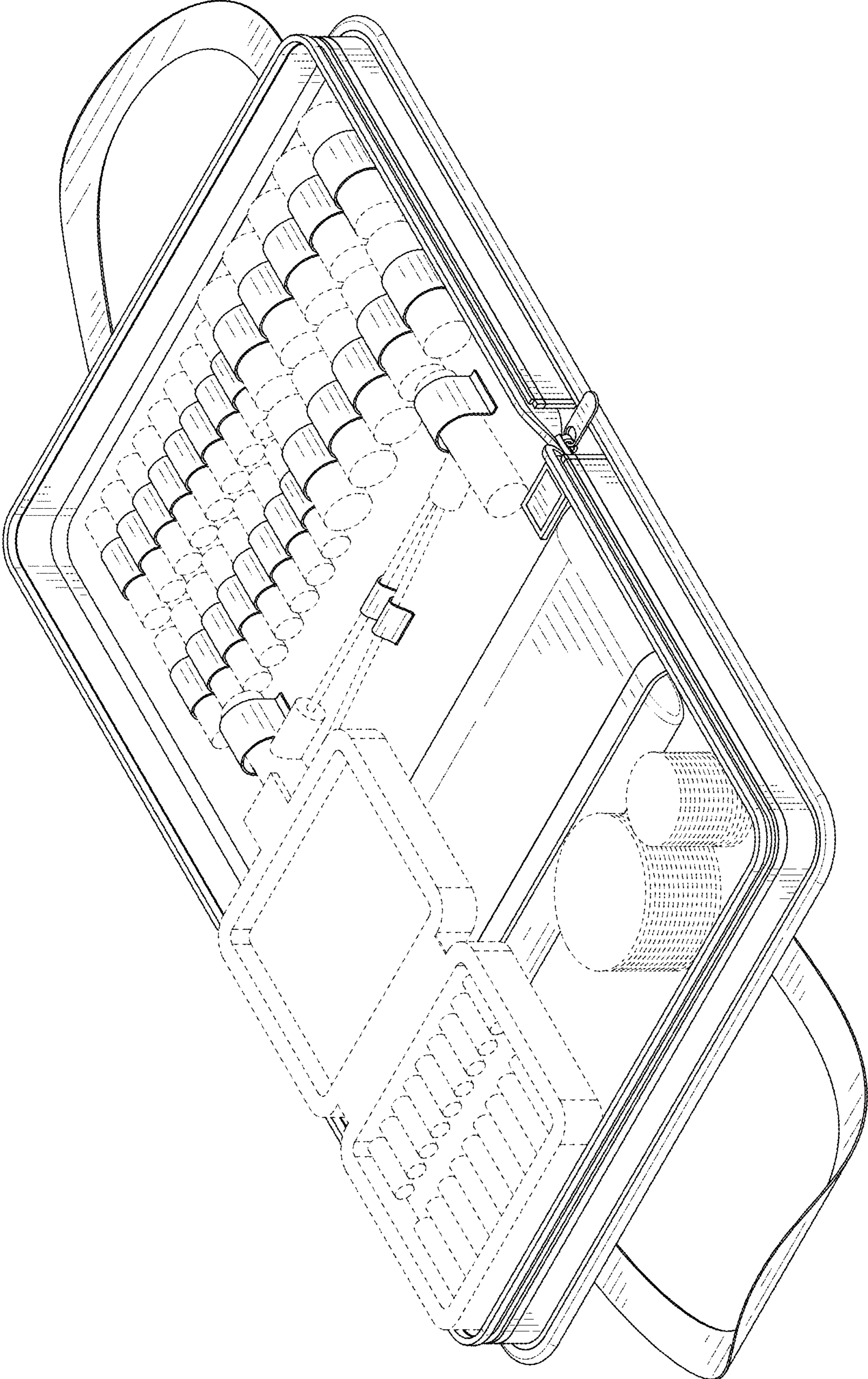


FIG. 9

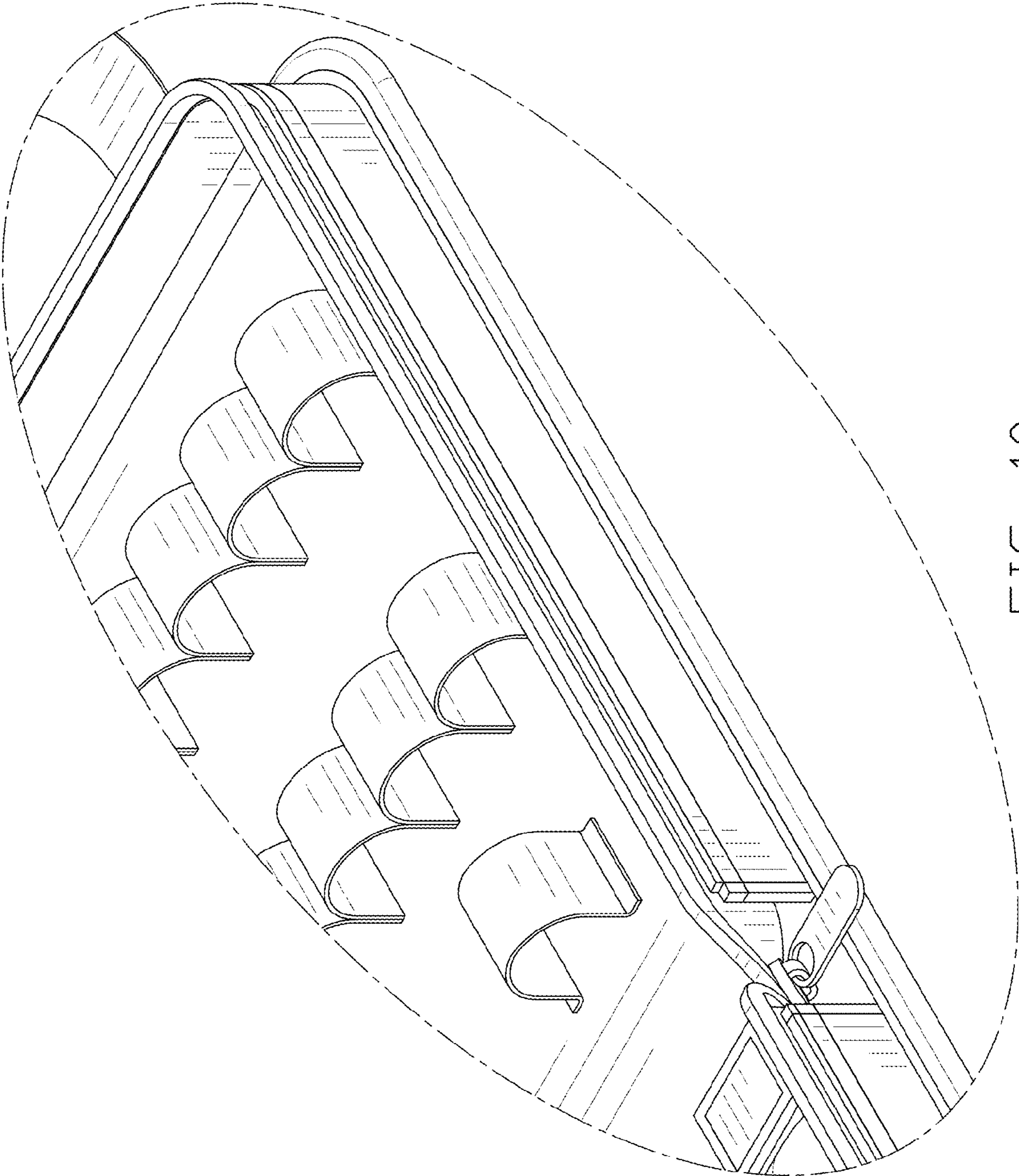


FIG. 10