



US00D922065S

(12) **United States Design Patent**  
**Yang et al.**

(10) **Patent No.:** **US D922,065 S**  
(45) **Date of Patent:** **\*\* Jun. 15, 2021**

(54) **FISHING BOX**

(71) Applicant: **Quanzhou HG Electronics Development Co., Ltd., Fujian (CN)**

(72) Inventors: **Kongjun Yang, Fujian (CN); Haijun Yang, Fujian (CN)**

(\*\*) Term: **15 Years**

(21) Appl. No.: **29/683,206**

(22) Filed: **Mar. 12, 2019**

(51) **LOC (13) Cl.** ..... **03-01**

(52) **U.S. Cl.**  
USPC ..... **D3/260**

(58) **Field of Classification Search**  
USPC ..... D3/205, 260, 276, 298, 300, 904, 905;  
D22/136; 43/54.1; 206/315.11; 224/920  
CPC ..... Y10S 224/92; A01K 97/06; A01K 97/10  
See application file for complete search history.

(56) **References Cited**

**U.S. PATENT DOCUMENTS**

|              |         |            |       |        |
|--------------|---------|------------|-------|--------|
| D453,624 S * | 2/2002  | Itzkovitch | ..... | D3/276 |
| D464,485 S * | 10/2002 | Sward      | ..... | D3/273 |
| D493,616 S * | 8/2004  | Hardy      | ..... | D3/276 |
| D527,181 S * | 8/2006  | Henning    | ..... | D3/276 |

|              |         |          |       |        |
|--------------|---------|----------|-------|--------|
| D527,522 S * | 9/2006  | Kammerer | ..... | D3/291 |
| D724,320 S * | 3/2015  | Russell  | ..... | D3/273 |
| D805,356 S * | 12/2017 | Li       | ..... | D7/605 |
| D805,357 S * | 12/2017 | Li       | ..... | D7/605 |
| D888,422 S * | 6/2020  | Yang     | ..... | D3/260 |

\* cited by examiner

*Primary Examiner* — Kevin K Rudzinski

*Assistant Examiner* — Amber J Rabie

(74) *Attorney, Agent, or Firm* — Prakash Nama; Global IP Services, PLLC

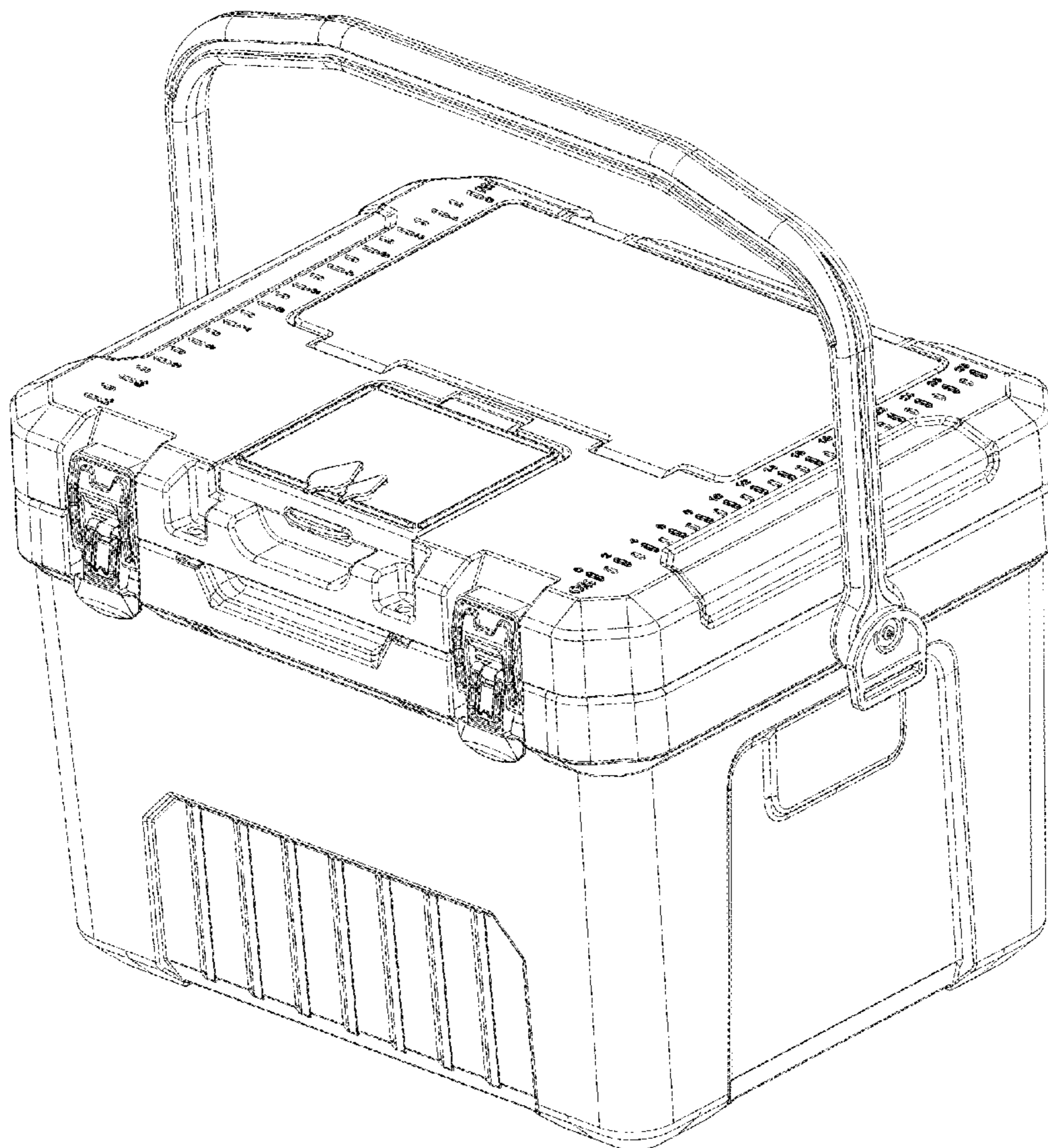
(57) **CLAIM**

The ornamental design for a fishing box, as shown and described.

**DESCRIPTION**

FIG. 1 is a front elevational view of a fishing box showing our new design;  
FIG. 2 is a rear elevational view thereof;  
FIG. 3 is a left side view thereof;  
FIG. 4 is a right side view thereof;  
FIG. 5 is a top plan view thereof;  
FIG. 6 is a bottom plan view thereof;  
FIG. 7 is a perspective view thereof;  
FIG. 8 is a second perspective view thereof; and,  
FIG. 9 is a third perspective view thereof.

**1 Claim, 9 Drawing Sheets**



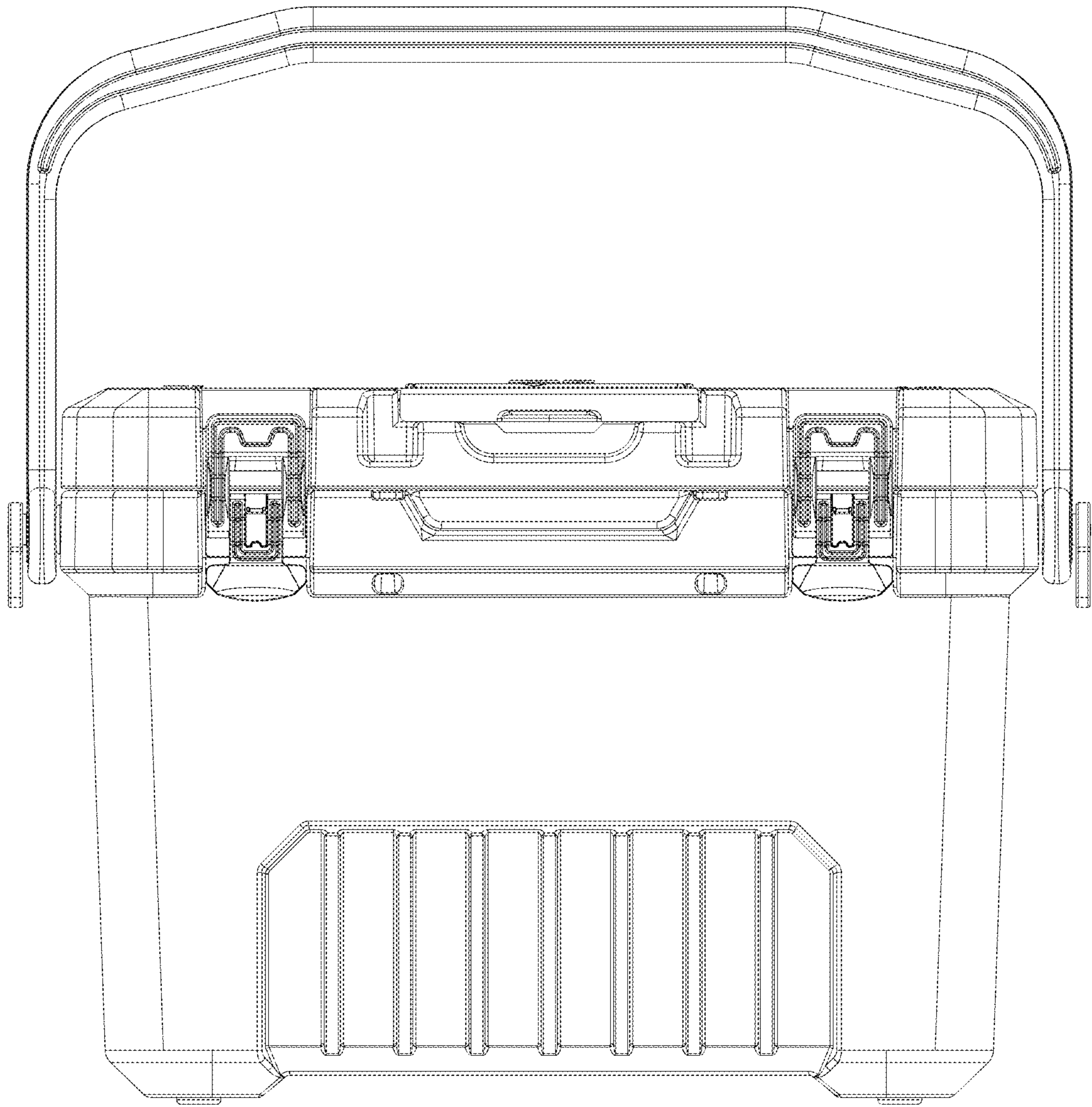


Fig. 1

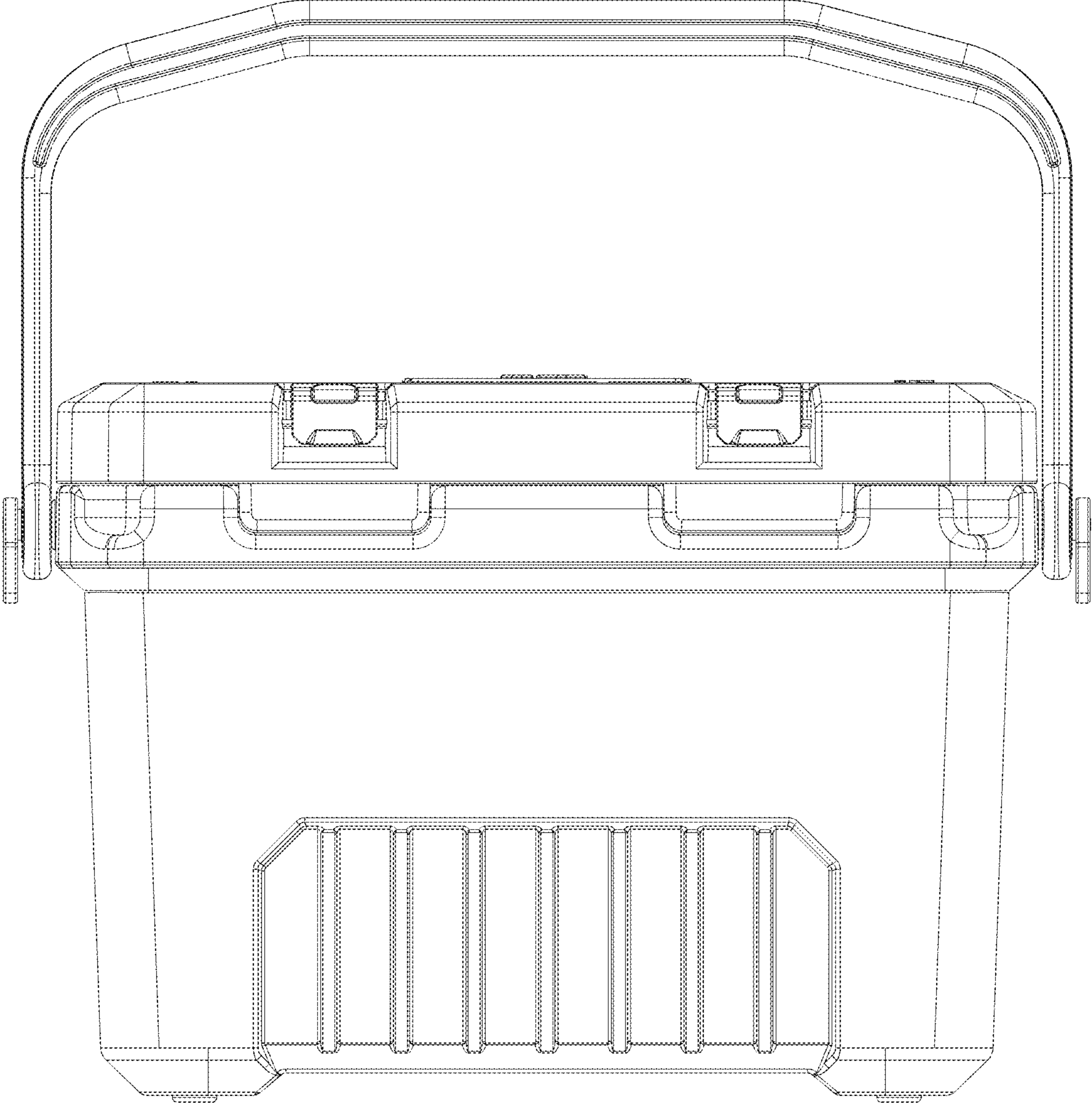


Fig. 2

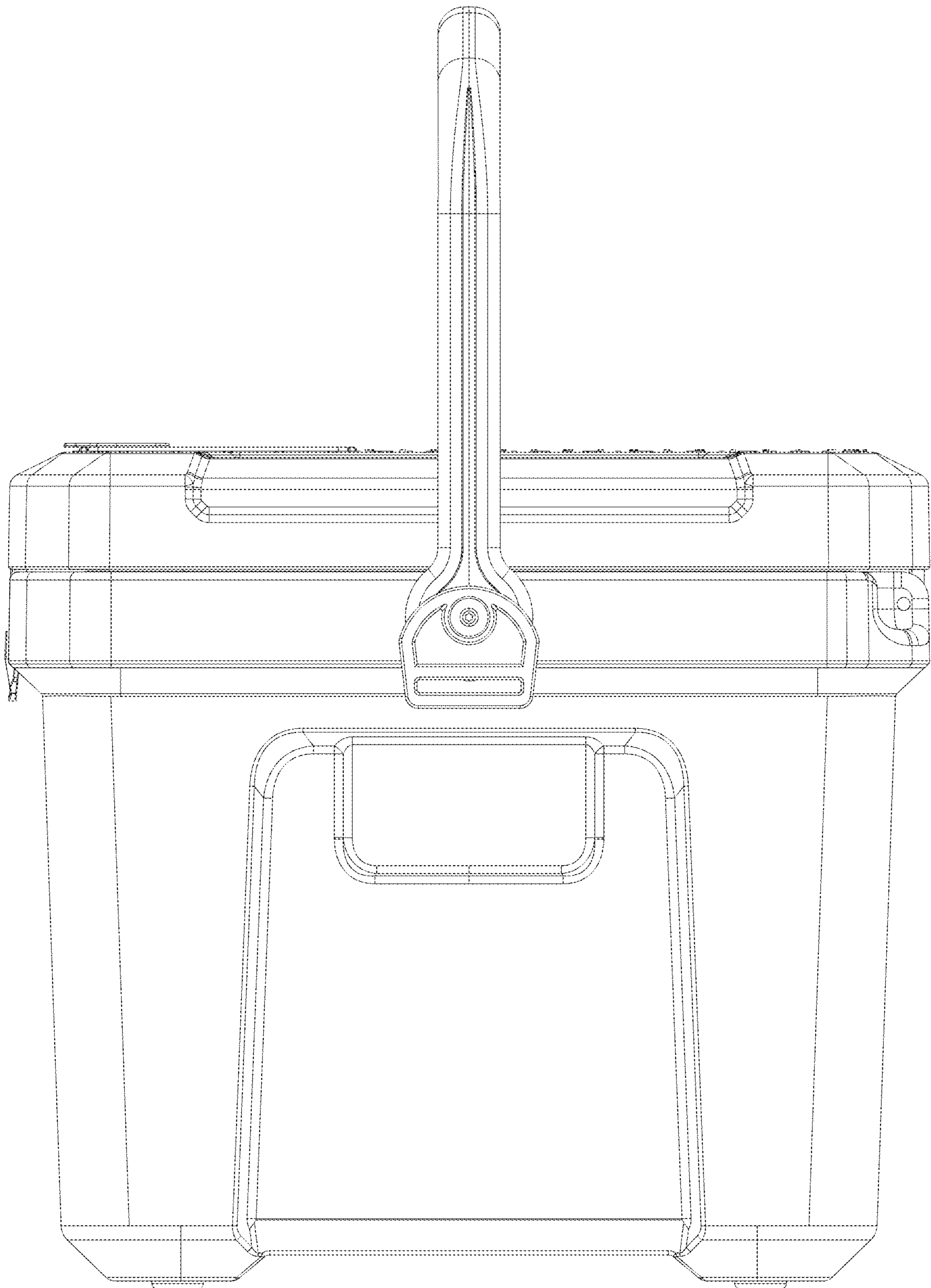


Fig. 3

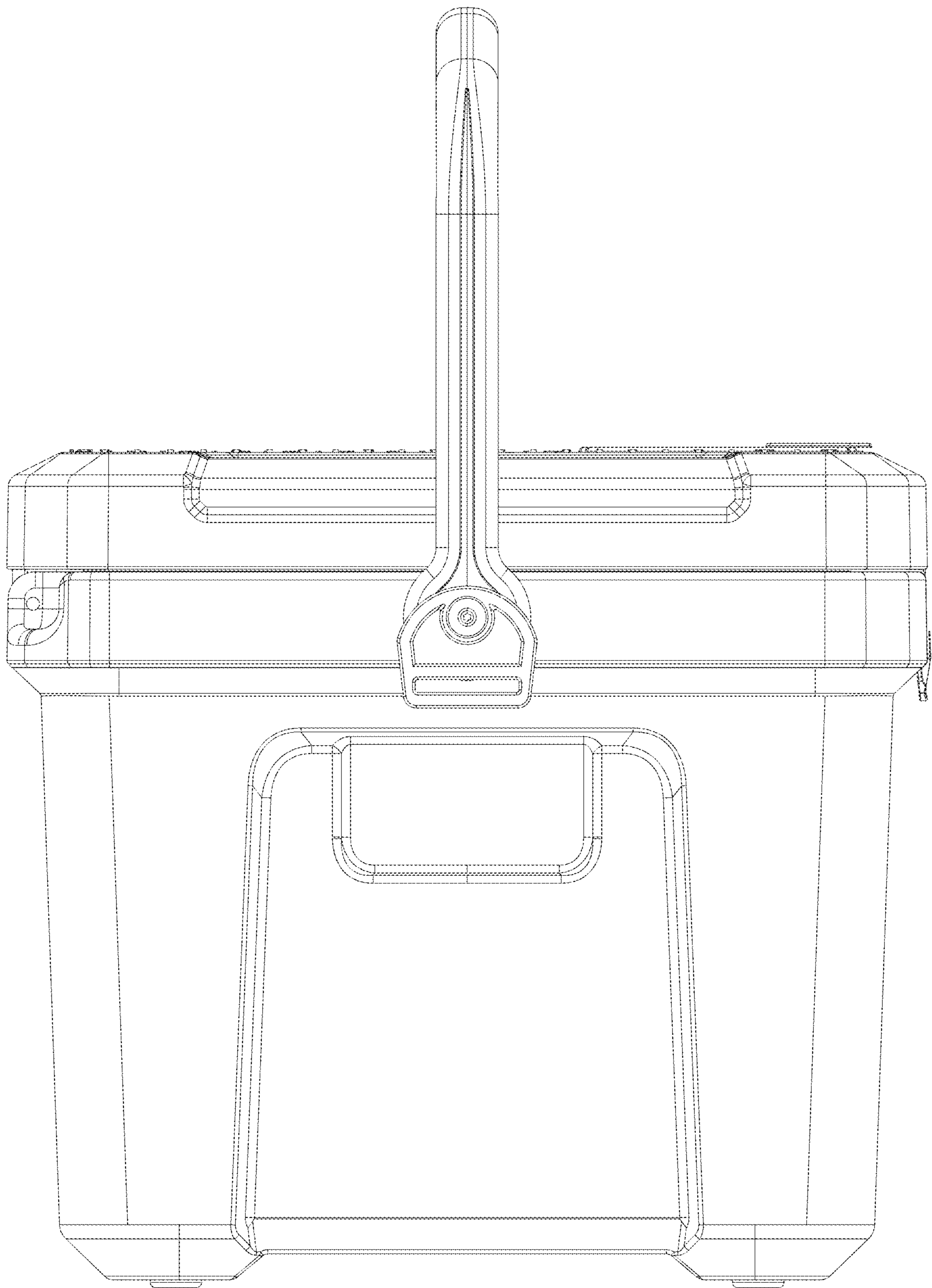


Fig. 4

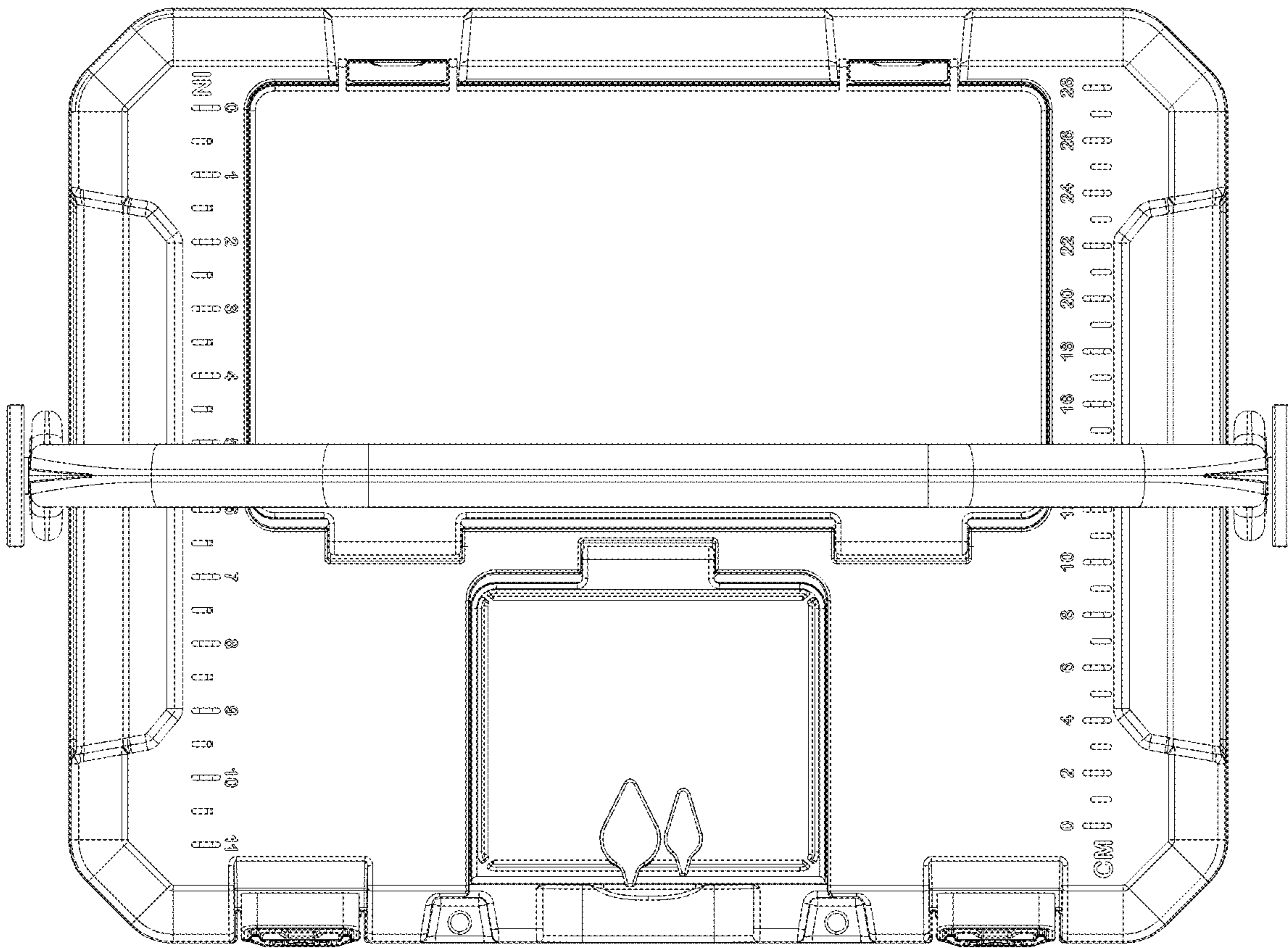


Fig. 5

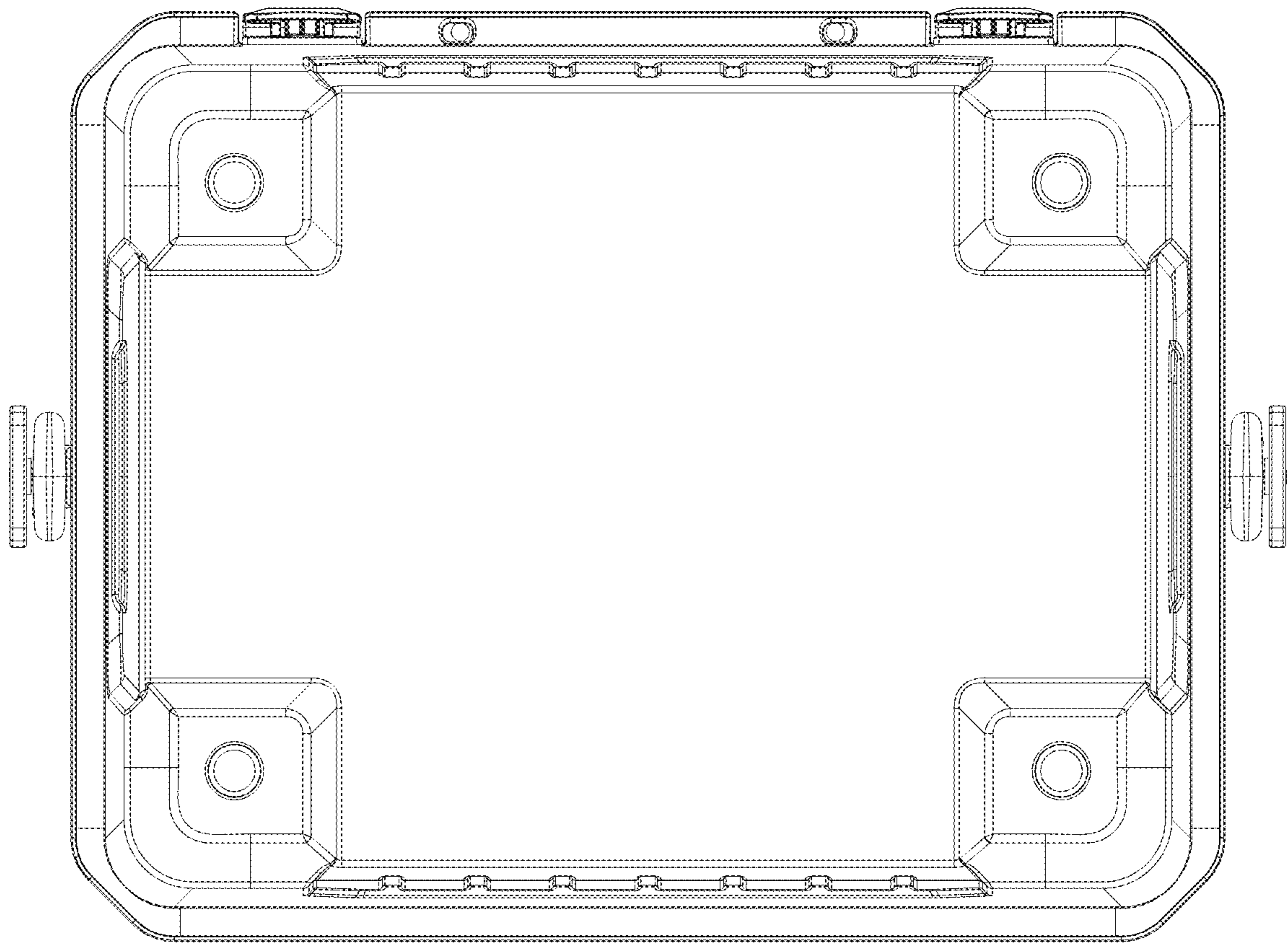


Fig. 6

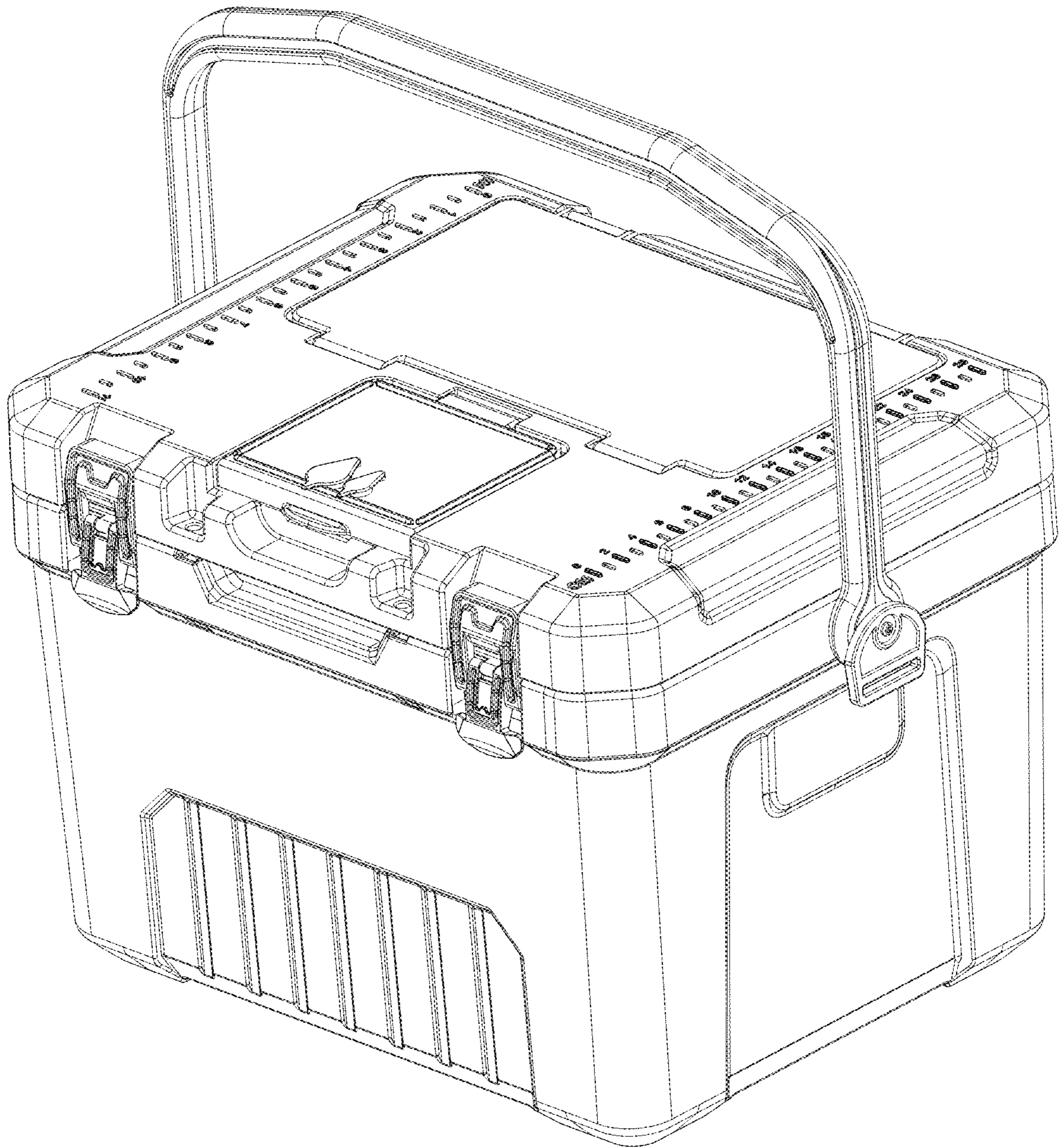


Fig. 7





Fig. 8

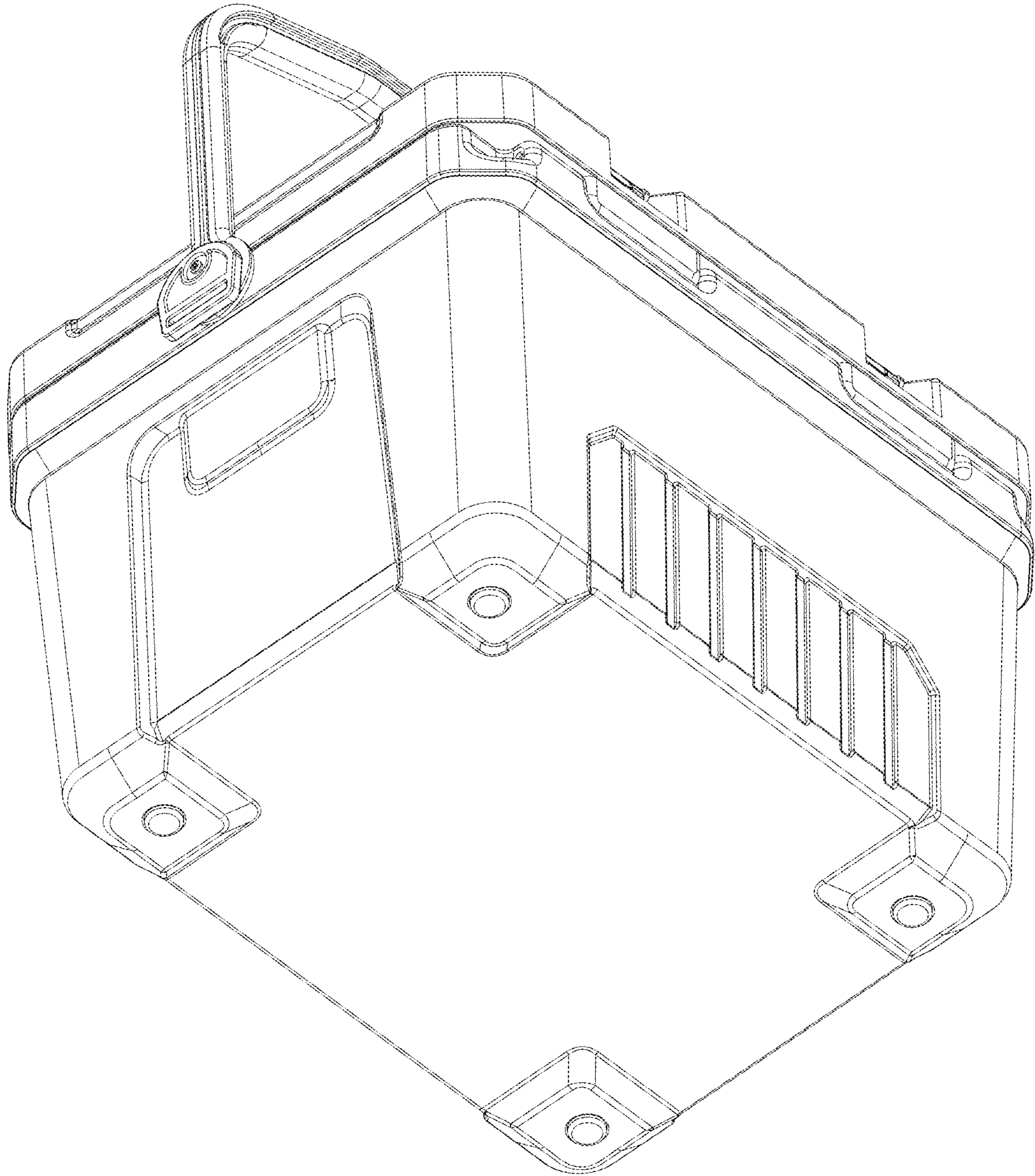


Fig. 9