



US00D922064S

(12) **United States Design Patent** (10) **Patent No.:** **US D922,064 S**
Coolens (45) **Date of Patent:** **** Jun. 15, 2021**

(54) **HANDBAG**

D815,430 S * 4/2018 Nair D3/242

(71) Applicant: **LOUIS VUITTON MALLETIER**,
Paris (FR)

* cited by examiner

(72) Inventor: **Kasper Coolens**, Paris (FR)

Primary Examiner — Holly H Baynham

(73) Assignee: **LOUIS VUITTON MALLETIER**,
Paris (FR)

(74) *Attorney, Agent, or Firm* — Fross Zelnick Lehrman
& Zissu, P.C.; Charles T. J. Weigell, Esq.

(**) Term: **15 Years**

(57) **CLAIM**

(21) Appl. No.: **29/674,228**

The ornamental design for a handbag, as shown and described.

(22) Filed: **Dec. 20, 2018**

DESCRIPTION

(30) **Foreign Application Priority Data**

Jun. 20, 2018 (FR) 2018-2980

(51) **LOC (13) Cl.** **03-01**

(52) **U.S. Cl.**
USPC **D3/242**

(58) **Field of Classification Search**
USPC D3/232-233, 240-243, 245-246
CPC A45C 1/024; A45C 3/06
See application file for complete search history.

FIG. 1 is a front perspective view and bag showing my new design;

FIG. 2 is a front view thereof;

FIG. 3 is a back view thereof;

FIG. 4 is a right side view thereof;

FIG. 5 is a left side view thereof;

FIG. 6 is a top view thereof;

FIG. 7 is a bottom view thereof; and,

FIG. 8 is a front perspective view of the handbag of FIG. 1 in an alternative embodiment. Apart from differences in the zipper configuration at top, and the strap, the other views of this embodiment comprises the same design features shown in FIGS. 1-7.

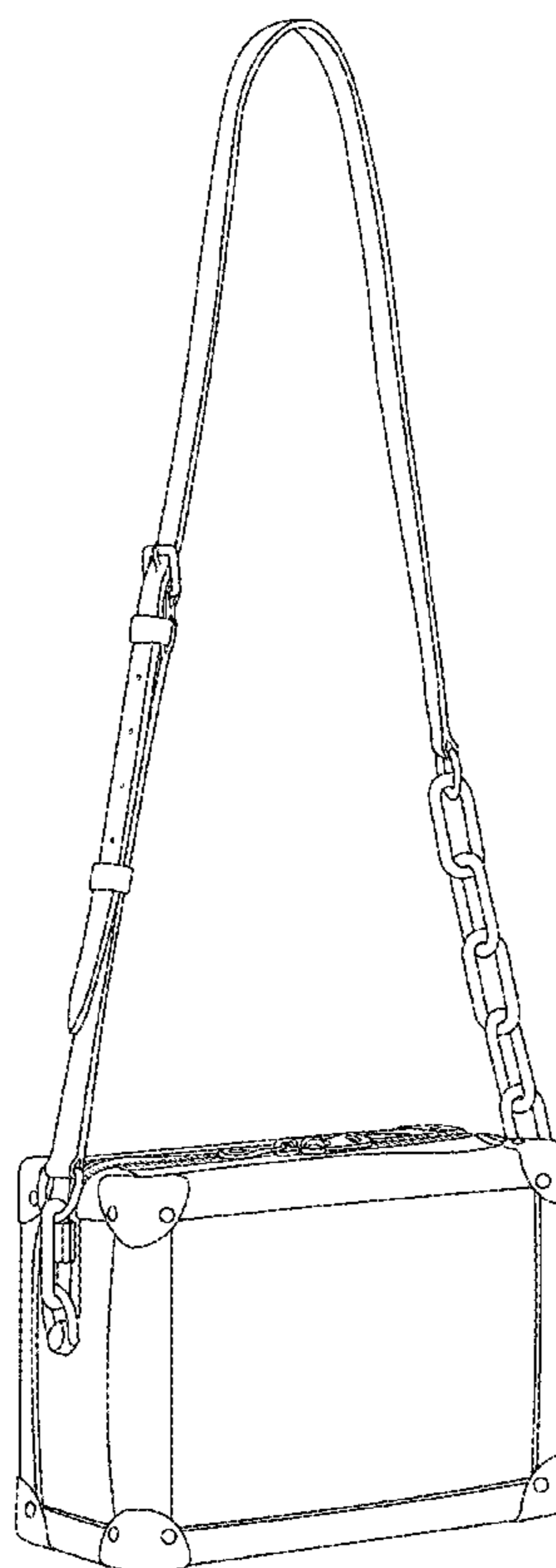
The broken lines showing a zipper are for the purpose of illustrating environment only and form no part of the claimed design.

(56) **References Cited**

U.S. PATENT DOCUMENTS

D381,506 S * 7/1997 Roeder D3/245
D664,764 S * 8/2012 Bub D3/242
D797,444 S * 9/2017 Nair D3/242

1 Claim, 8 Drawing Sheets



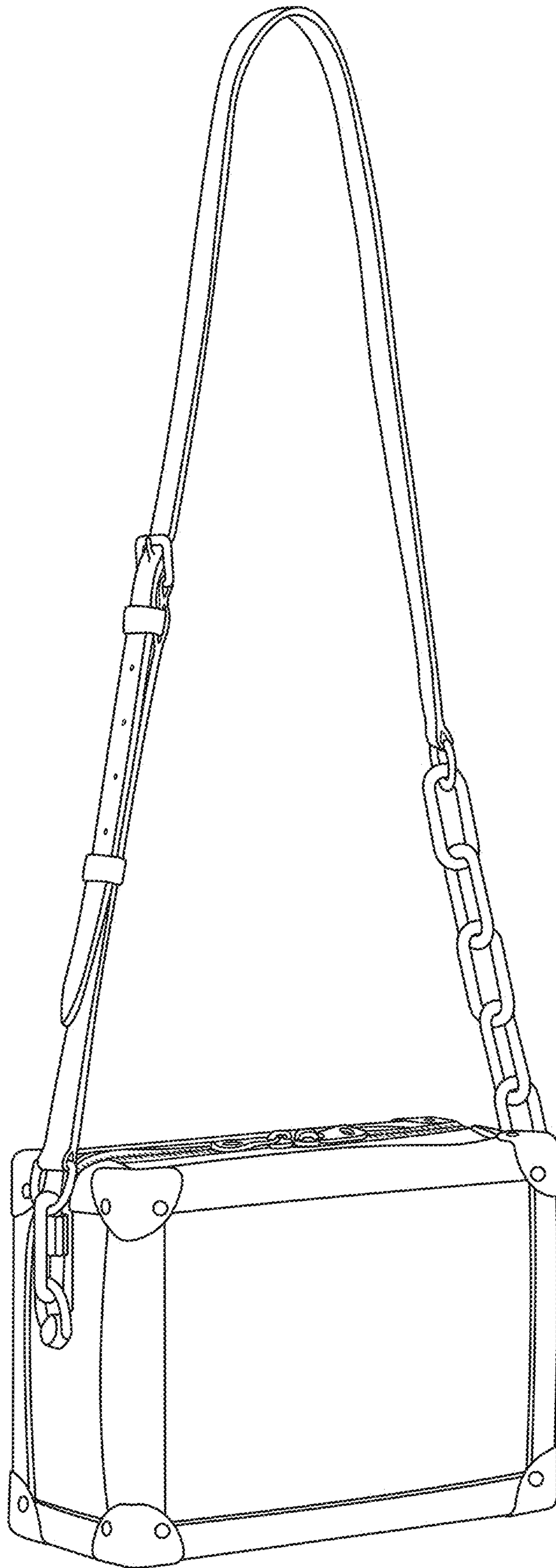


FIG. 1

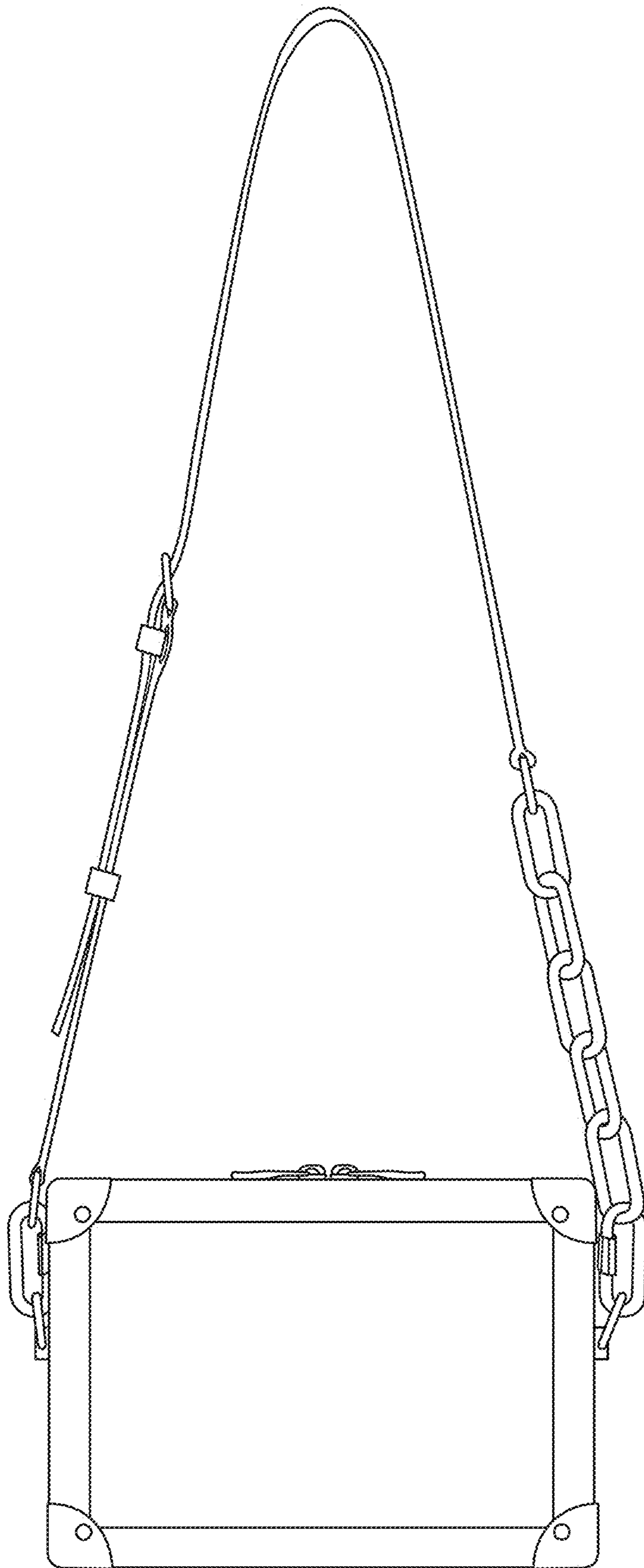


FIG. 2

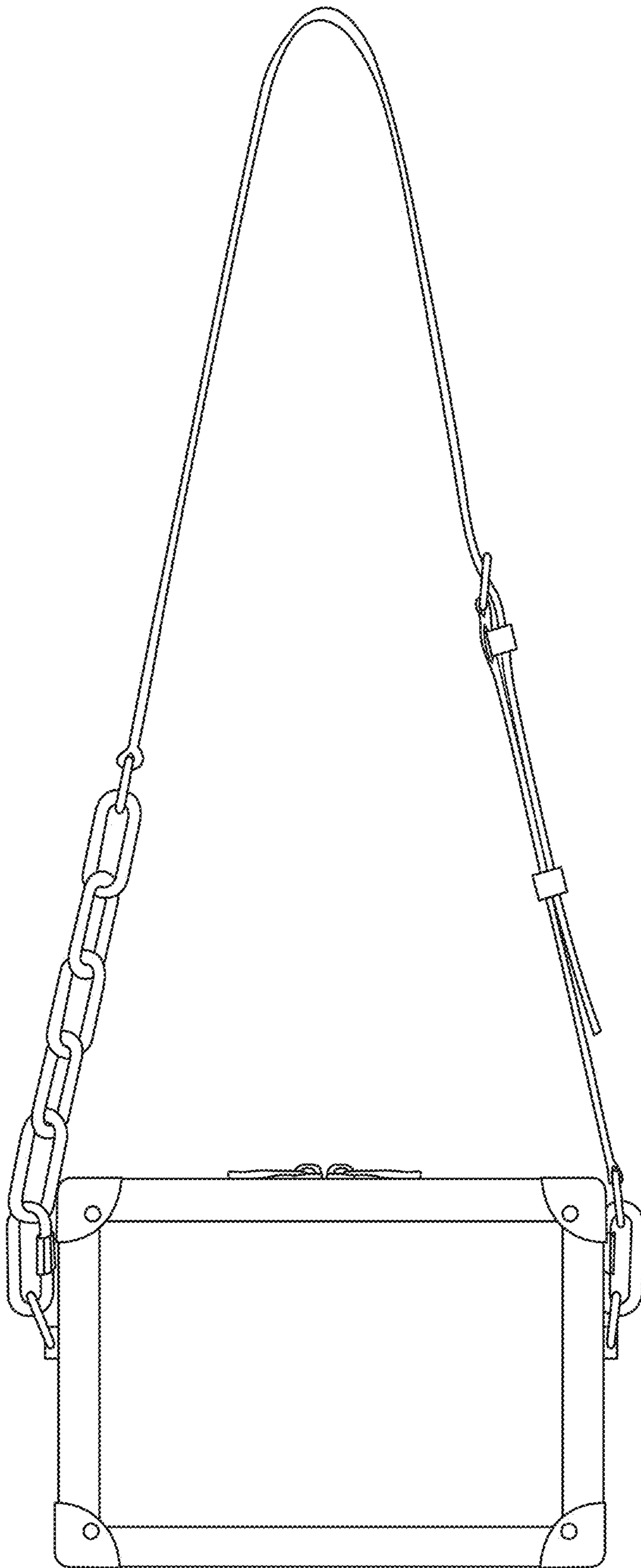


FIG. 3

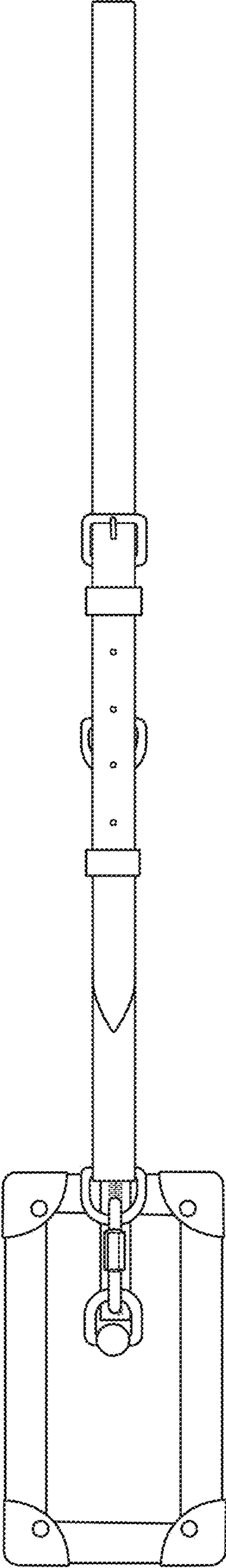


FIG. 4

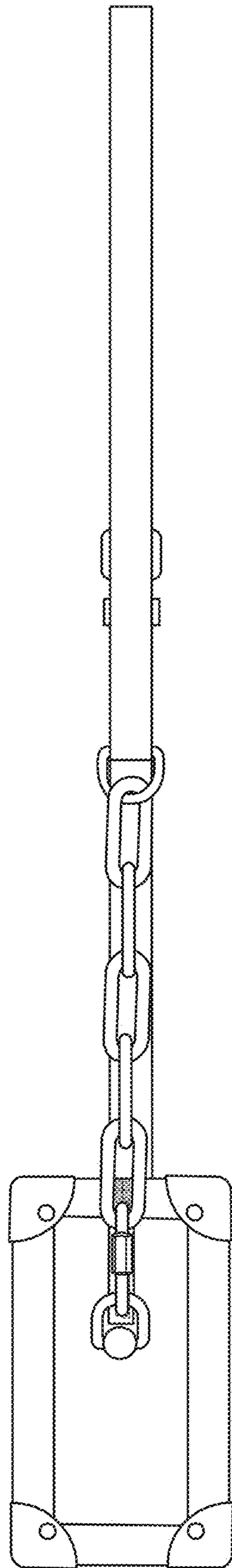


FIG. 5

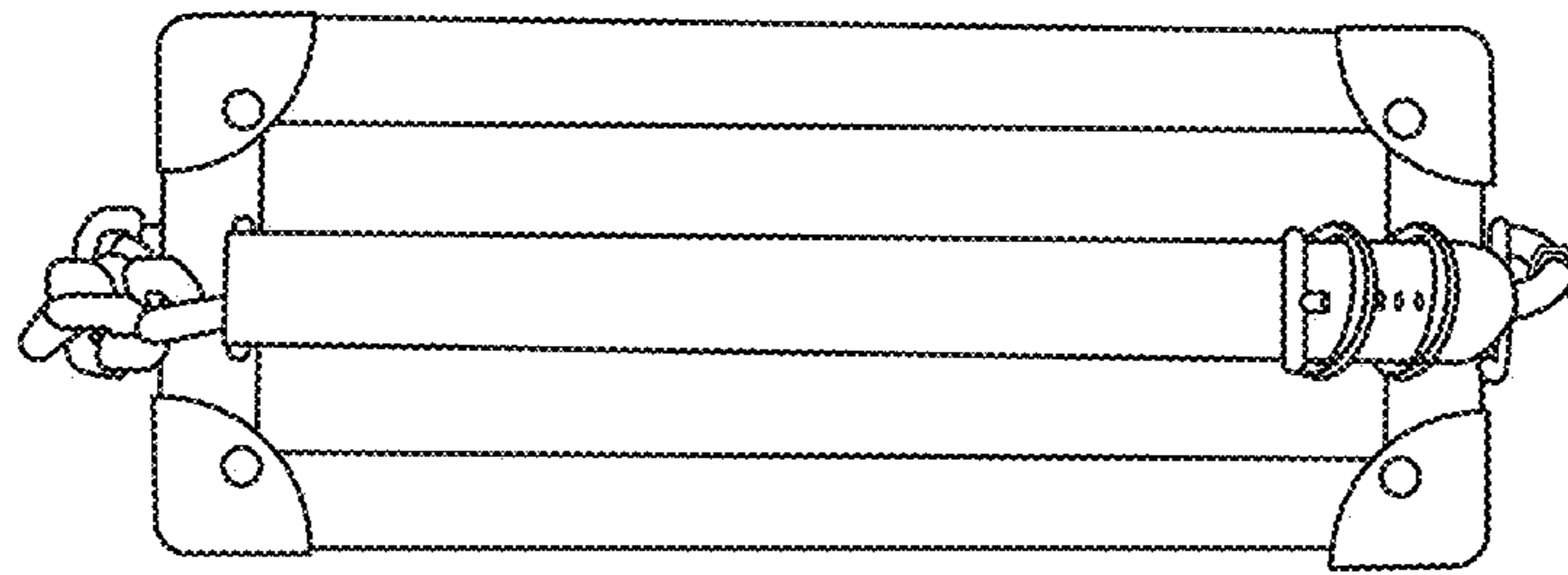


FIG. 6

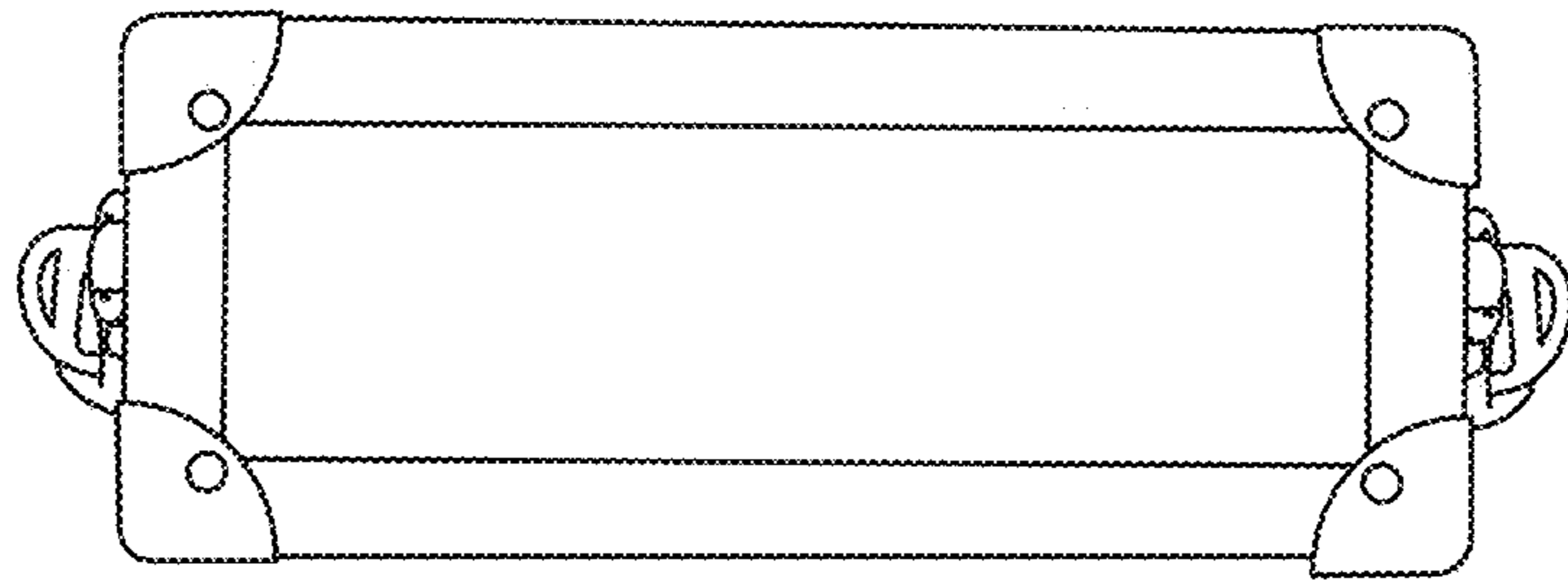


FIG. 7

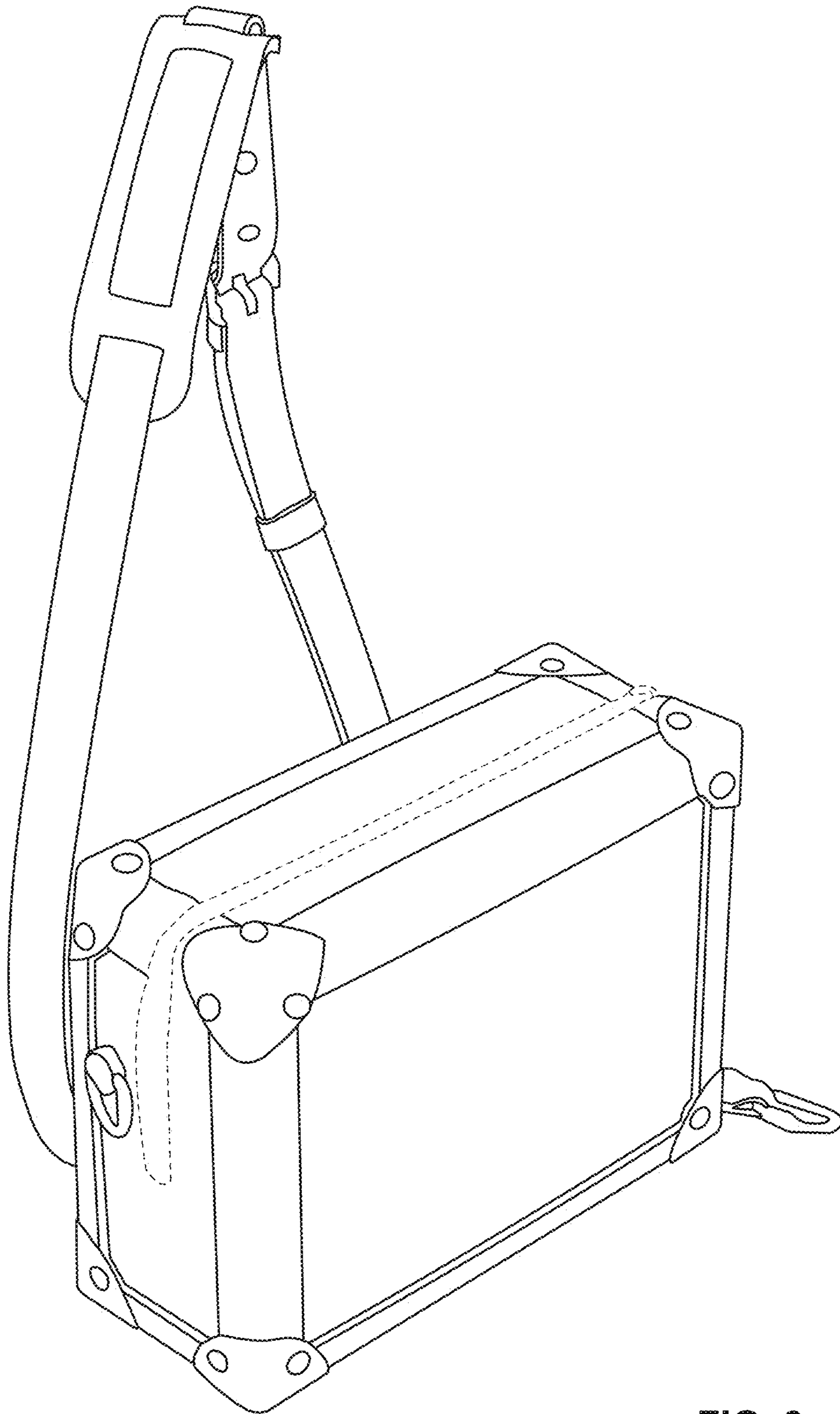


FIG. 8