

US00D922063S

(12) **United States Design Patent**
Kirchner et al.

(10) **Patent No.:** **US D922,063 S**
(45) **Date of Patent:** **** Jun. 15, 2021**

(54) **HOLDER FOR A DIGITAL DATA RECEIVER**

(71) Applicant: **Workaround GmbH**, Munich (DE)

(72) Inventors: **Matthias Kirchner**, Munich (DE);
Michael Kettner, Munich (DE); **Hans Hochkeppel**, Munich (DE); **Sean Engineer**, Munich (DE)

(**) Term: **15 Years**

(21) Appl. No.: **35/508,584**

(22) Filed: **Aug. 14, 2019**

(80) **Hague Agreement Data**

Int. Filing Date: **Aug. 14, 2019**

Int. Reg. No.: **DM/205700**

Int. Reg. Date: **Aug. 14, 2019**

Int. Reg. Pub. Date: **Feb. 14, 2020**

(51) **LOC (13) Cl.** **03-01**

(52) **U.S. Cl.**
USPC **D3/218**

(58) **Field of Classification Search**
USPC D14/191, 192, 240, 388, 420, 422, 426,
D14/427, 429, 430, 447, 451, 453, 454,
D14/203.1, 217, 251, 252, 344; D2/610,
D2/614, 617; D3/215, 218
CPC A47B 21/04; A47B 2097/006; A47B
2097/005; A47B 2023/049; A45C
2011/002; A45C 2011/003; F16M
2200/00; F16M 13/00; H02J 7/0044;
G06K 7/10; G06K 7/10821; A45F 5/00
See application file for complete search history.

(56) **References Cited**

U.S. PATENT DOCUMENTS

5,340,972 A * 8/1994 Sandor G06K 7/10564
235/462.44
5,587,577 A * 12/1996 Schultz G06K 7/10881
235/462.44

D377,348 S * 1/1997 Karlin 14/2
5,610,387 A * 3/1997 Bard G04B 47/00
235/462.44
D410,545 S * 6/1999 Cowan D24/173
D504,224 S * 4/2005 Sexson D3/218
D526,479 S * 8/2006 Brandenburg D3/218
7,334,711 B1 * 2/2008 Winters A45F 5/00
224/217
D580,626 S * 11/2008 MacKay D2/617
D708,846 S * 7/2014 Waldon D3/218
D722,764 S * 2/2015 Sloan D3/218
D733,108 S * 6/2015 Salaz D14/240
D745,014 S * 12/2015 Vales D14/447
D748,911 S * 2/2016 Grech D3/218
D759,958 S * 6/2016 Requa D3/218
D763,568 S * 8/2016 Singhal D3/218
D798,294 S * 9/2017 Toth D14/344
D811,729 S * 3/2018 Bysshe D3/218
D831,335 S * 10/2018 Crease D3/218
D900,121 S * 10/2020 Pierson F16M 11/105
D14/447
D901,879 S * 11/2020 Barrons D3/218
2002/0047028 A1 * 4/2002 Harada A45F 5/00
224/219
2012/0255978 A1 * 10/2012 Williams A45F 5/00
224/219

(Continued)

Primary Examiner — Keli L Hill

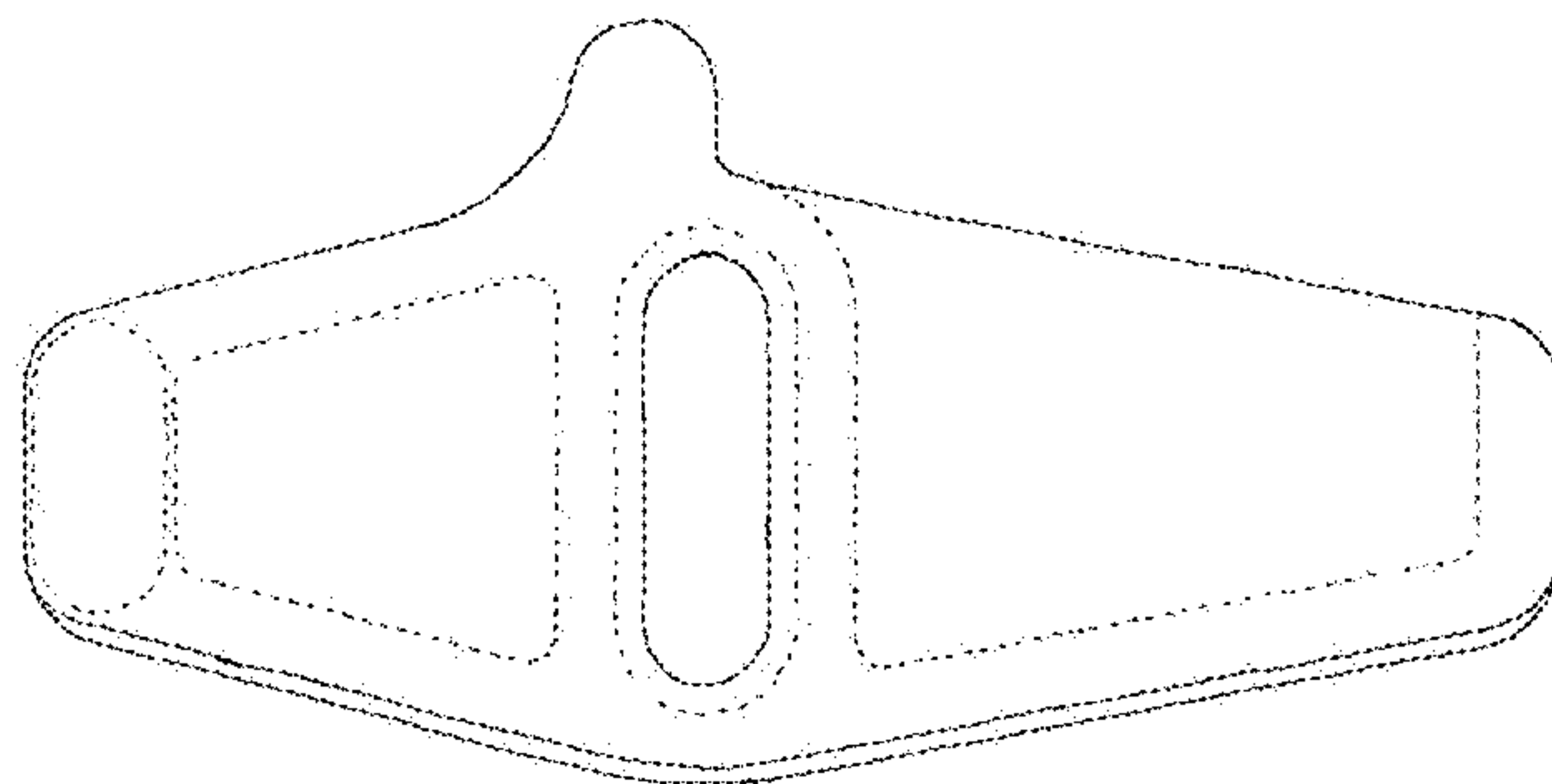
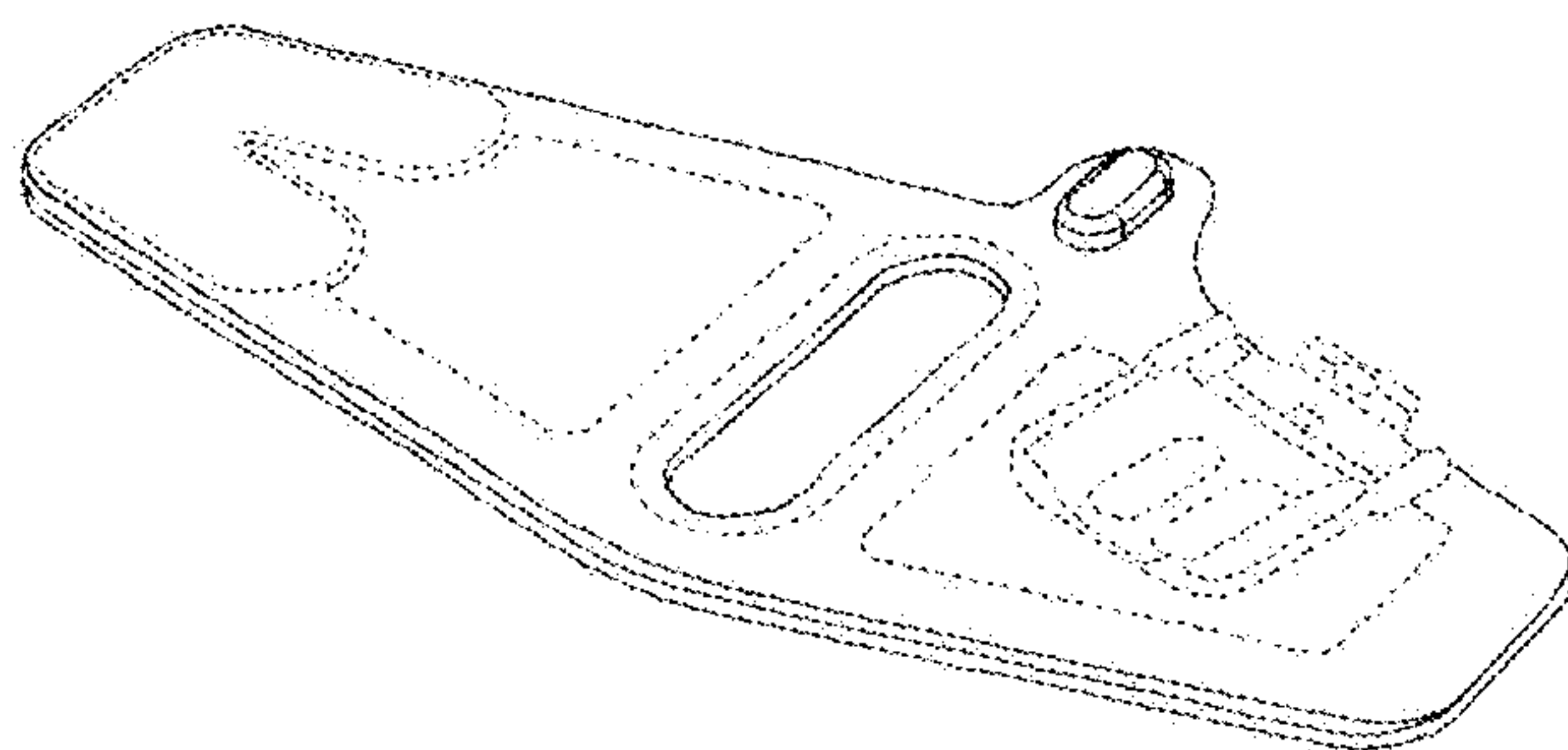
(57) **CLAIM**

The ornamental design for a holder for a digital data receiver, as shown and described.

DESCRIPTION

1.1 is a top perspective view of the holder for a digital data receiver, in accordance with our design;
1.2 is a top plan view thereof; and
1.3 is a bottom plan view thereof.
The broken lines shown are included for the purpose of illustrating portions of the holder for a digital data receiver that form no part of the claim.

1 Claim, 3 Drawing Sheets



(56)

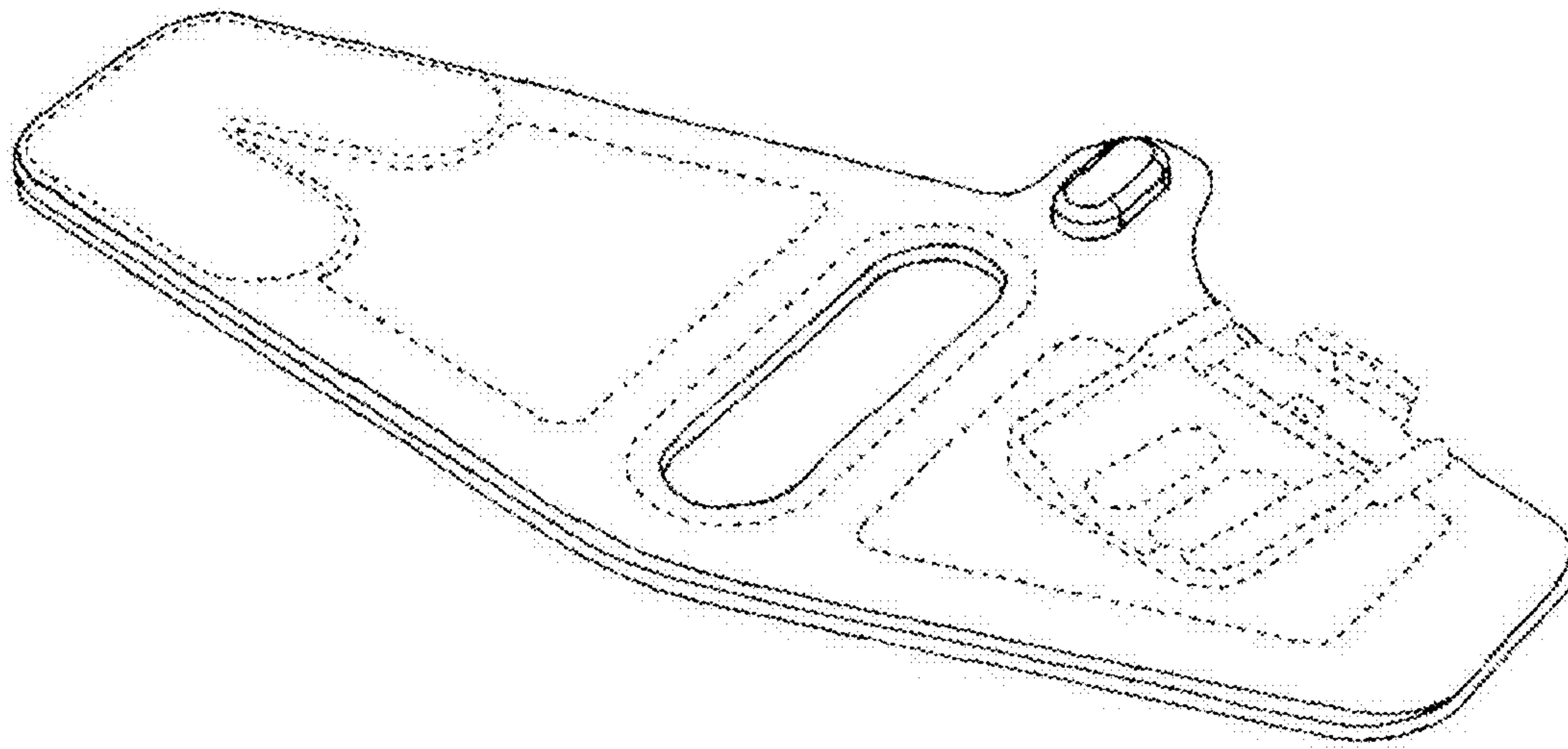
References Cited

U.S. PATENT DOCUMENTS

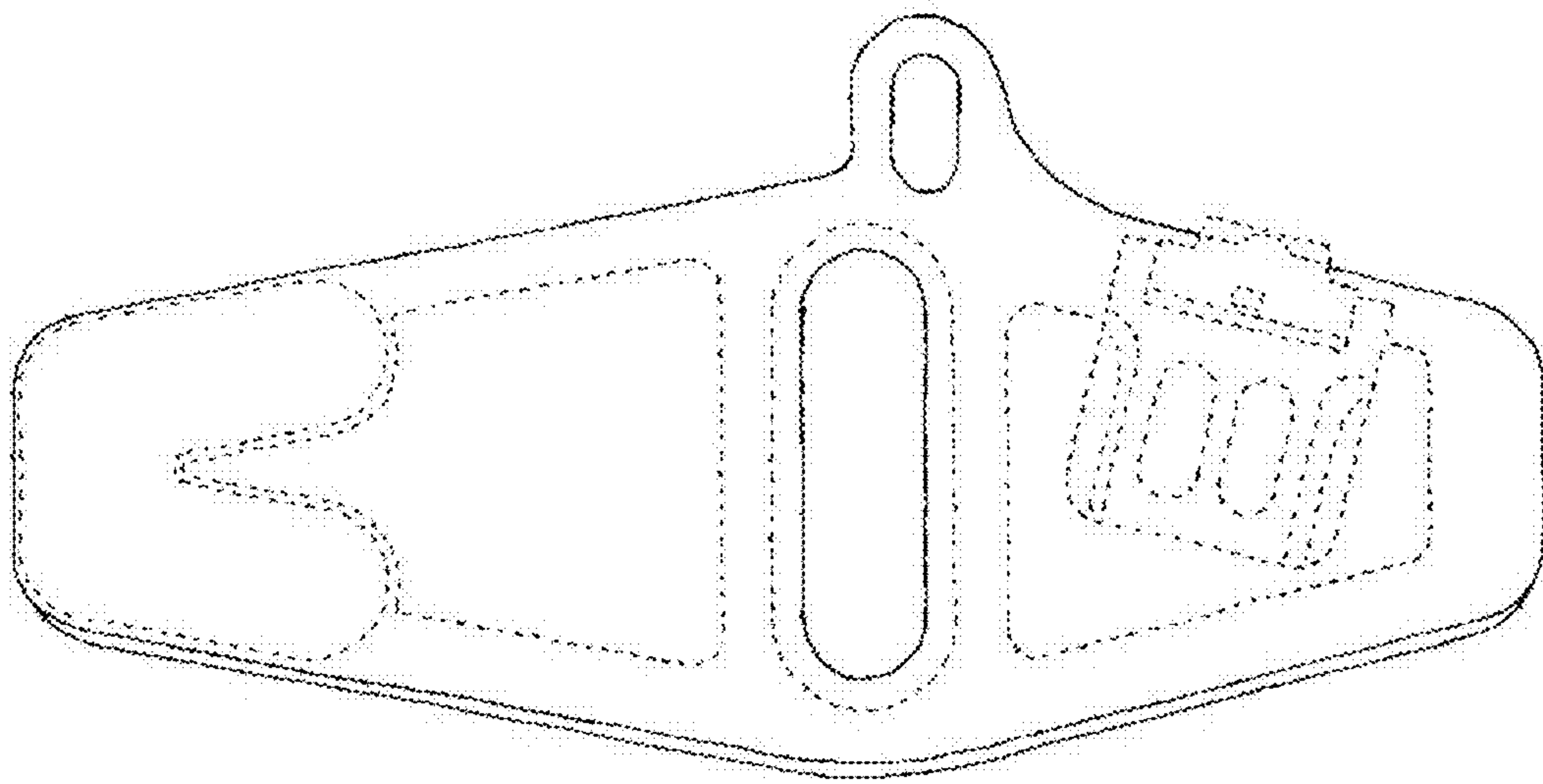
2013/0082078 A1* 4/2013 Totani H04B 1/385
224/219
2014/0249944 A1* 9/2014 Hicks G06Q 30/0281
705/17
2018/0146720 A1* 5/2018 Sittig A41D 19/04
2019/0364996 A1* 12/2019 Kettner A41D 19/0024
2020/0245939 A1* 8/2020 Sittig A61B 5/6825
2020/0272801 A1* 8/2020 Mistkawi G06K 7/10891
2020/0289001 A1* 9/2020 Mantrawadi A61B 5/02438
2021/0080056 A1* 3/2021 Brun A45C 13/30

* cited by examiner

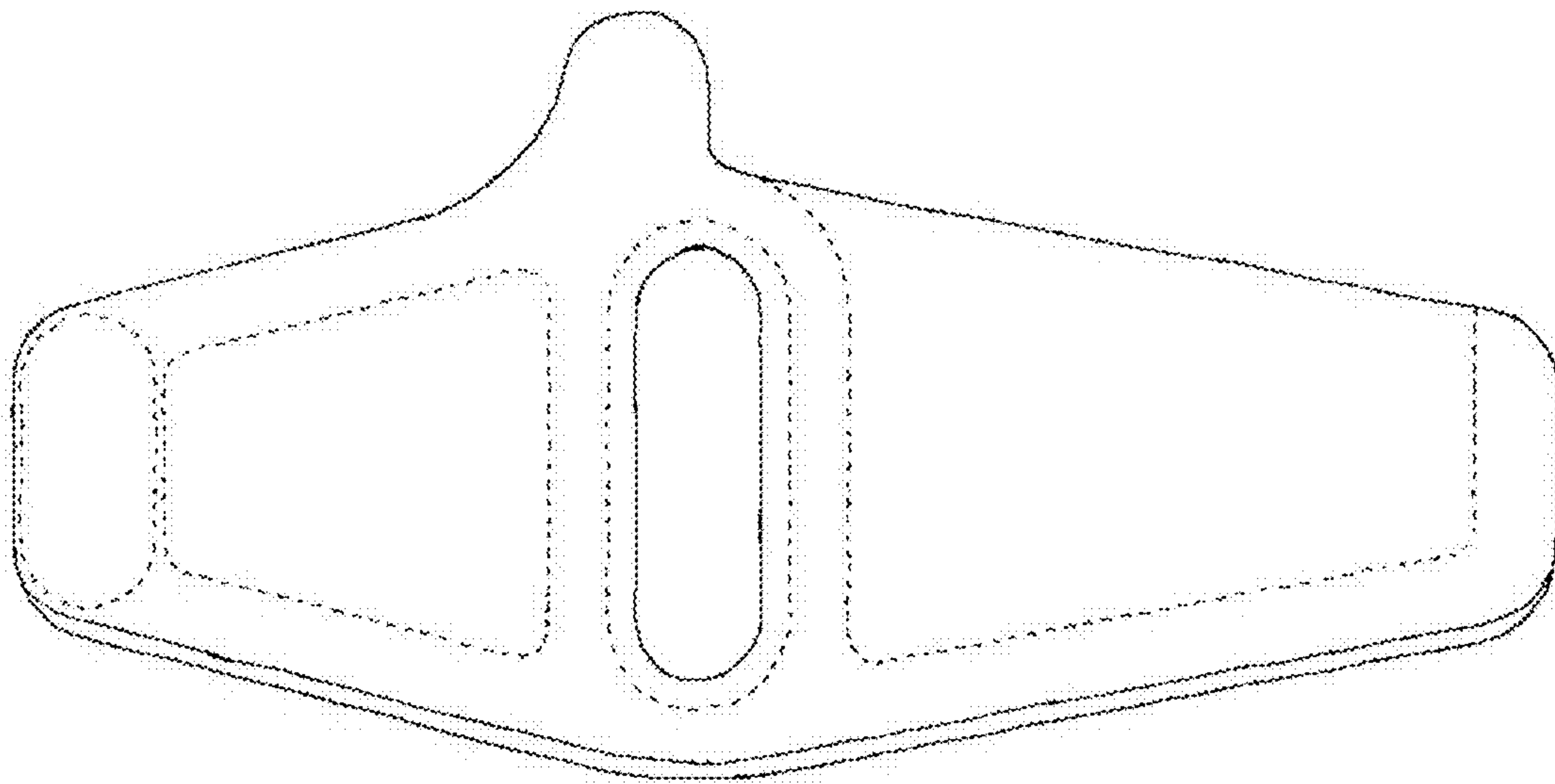
1.1



1.2



1.3



UNITED STATES PATENT AND TRADEMARK OFFICE
CERTIFICATE OF CORRECTION

PATENT NO. : D922,063 S
APPLICATION NO. : 35/508584
DATED : June 15, 2021
INVENTOR(S) : Matthias Kirchner et al.

Page 1 of 1

It is certified that error appears in the above-identified patent and that said Letters Patent is hereby corrected as shown below:

On the Title Page

Item (72) Inventors should read:
Matthias Kirchner, Munich (DE);
Michael Kettner, Munich (DE)

Item (30) Foreign Application Priority Data should read:
June 03, 2019 (EUIPO) 006560199-0001
June 03, 2019 (EUIPO) 006560199-0003

Signed and Sealed this
Twenty-fifth Day of January, 2022



Drew Hirshfeld
*Performing the Functions and Duties of the
Under Secretary of Commerce for Intellectual Property and
Director of the United States Patent and Trademark Office*