



US00D922061S

(12) **United States Design Patent**
Tan

(10) **Patent No.:** **US D922,061 S**

(45) **Date of Patent:** **** Jun. 15, 2021**

- (54) **TACKLE BACKPACK**
- (71) Applicant: **Evolution Outdoor Design**, Longview, TX (US)
- (72) Inventor: **Roger Tan**, Chino, CA (US)
- (73) Assignee: **Thousand Oaks Corp.**, Irwindale, CA (US)

- D383,601 S 9/1997 Jones et al.
- D389,305 S 1/1998 Hauschild
- D423,779 S * 5/2000 Goatcher D3/283
- D427,768 S 7/2000 Bogert
- D435,343 S 12/2000 Eskandry
- 6,202,910 B1 3/2001 Swetish
- D465,086 S 11/2002 Watts
- D471,012 S 3/2003 Peterson
- D472,380 S 4/2003 Hillman

(Continued)

(**) Term: **15 Years**

OTHER PUBLICATIONS

- (21) Appl. No.: **29/673,178**
- (22) Filed: **Dec. 12, 2018**
- (51) **LOC (13) Cl.** **03-01**
- (52) **U.S. Cl.**
USPC **D3/217; D3/260; D3/904**
- (58) **Field of Classification Search**
USPC D3/216, 217, 274, 276, 279, 283, 289,
D3/290, 321, 900, 902, 243, 226, 315,
D3/260, 904
CPC . A45F 3/04; A45F 3/047; A45C 15/00; A45C
3/00
See application file for complete search history.

Amazon, "Evolution Outdoor Design Large Mouth Double Decker Mossy Oak Tackle Backpack 3600 Manta Grey Camo Evolution", Date first listed on Amazon Sep. 14, 2017. (<https://www.amazon.com/Evolution-Outdoor-Design-Backpack-Fishing/dp/B07PJWZXHY>) (Year: 2017).*

(Continued)

Primary Examiner — April Rivas
(74) *Attorney, Agent, or Firm* — J. Andrew Reed; Vincent J. Allen; Carstens & Cahoon, LLP

(57) **CLAIM**

The ornamental design for a tackle backpack, as shown and described.

(56) **References Cited**

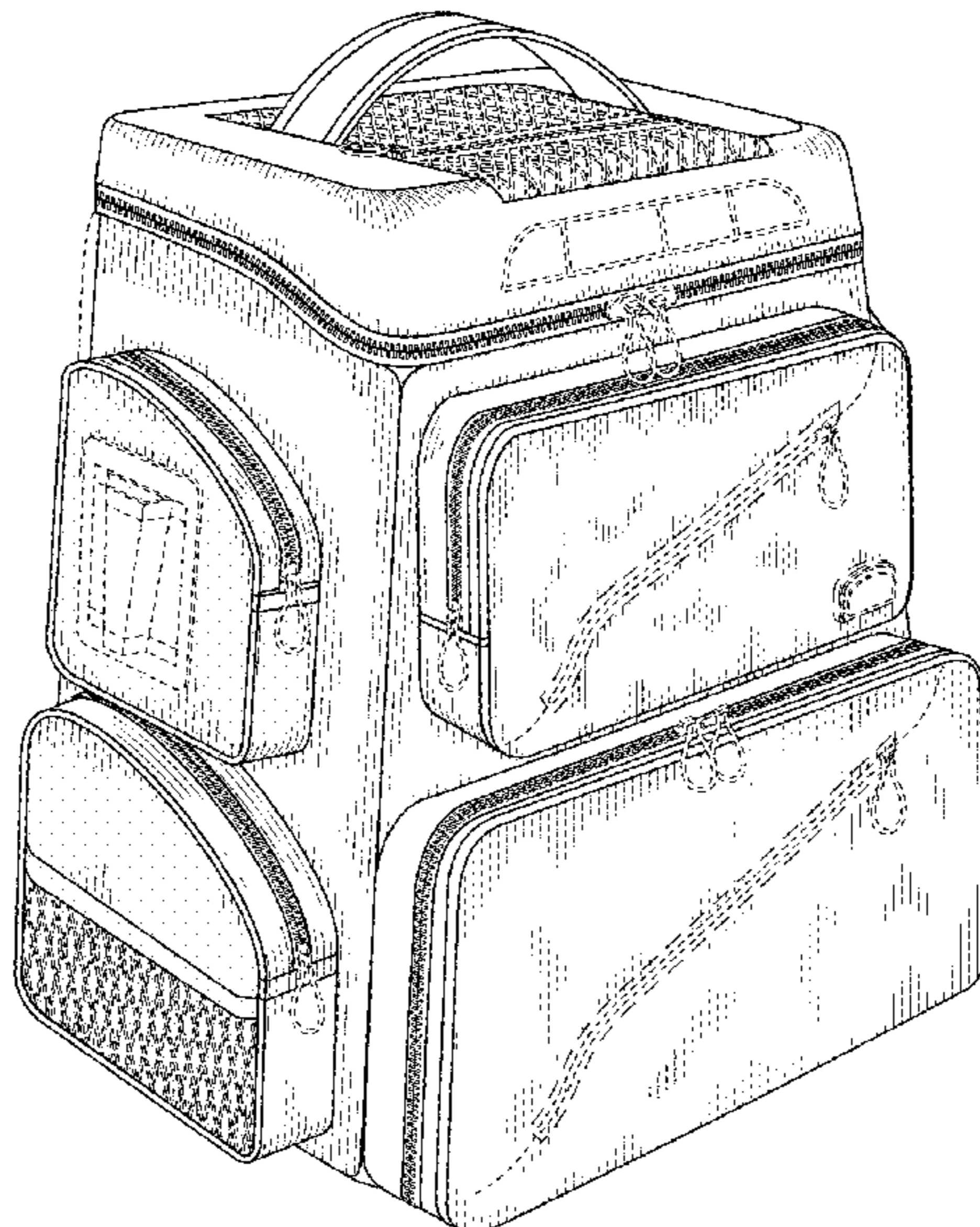
DESCRIPTION

U.S. PATENT DOCUMENTS

- 3,122,225 A 2/1964 Ward
- 3,181,751 A 5/1965 Wilson
- RE25,826 E 8/1965 Ward
- 4,151,938 A 5/1979 Barker et al.
- D280,260 S 8/1985 Leiserson
- D284,333 S 6/1986 Huston
- D291,149 S 8/1987 Smith
- D312,530 S 12/1990 Gallen et al.
- D333,038 S * 2/1993 Collins D3/254
- D352,827 S 11/1994 Schildkraut
- D360,182 S 7/1995 Lovett
- D371,052 S 6/1996 Melk
- D371,724 S 7/1996 Melk
- D376,044 S 12/1996 Trawick et al.

FIG. 1 is a front elevation view of the tackle backpack; FIG. 2 is a rear elevation view of the backpack; FIG. 3 is a left side elevation view of the backpack; FIG. 4 is a right side elevation view of the backpack; FIG. 5 is a top view of the backpack; FIG. 6 is a bottom view of the backpack; FIG. 7 is a left side perspective view of the backpack; and, FIG. 8 is a right side perspective view of the backpack. The broken lines illustrate portions of the tackle backpack and form no part of the claimed design.

1 Claim, 7 Drawing Sheets



(56)

References Cited

U.S. PATENT DOCUMENTS

D474,598 S 5/2003 Platte, III
 D476,480 S 7/2003 Hillman
 6,612,434 B1 9/2003 Redzisz
 D482,525 S 11/2003 Fair
 D482,842 S 12/2003 Fair
 D487,189 S * 3/2004 Ukitsu D3/215
 D495,489 S 9/2004 Messina-Brown
 D530,089 S 10/2006 Silverman
 D542,031 S 5/2007 Zapata
 D542,527 S 5/2007 Zapata
 7,240,513 B1 7/2007 Conforti
 D560,450 S 1/2008 Tagliati et al.
 7,604,103 B2 10/2009 Hamlin
 D639,051 S 6/2011 Dare
 D647,301 S 10/2011 Sosnovsky
 D648,533 S 11/2011 Sosnovsky
 8,348,510 B2 1/2013 Mogil
 D692,661 S 11/2013 Gupton, Jr.
 D714,541 S 10/2014 Anderson et al.
 D725,908 S 4/2015 Zwetzig
 D762,384 S 8/2016 Boroski
 D762,978 S 8/2016 Boroski
 D781,575 S * 3/2017 Etekochoy D3/217
 D787,816 S * 5/2017 Slimane D3/217
 D793,728 S 8/2017 Faibish et al.
 D796,188 S * 9/2017 Ho D3/217
 D821,097 S 6/2018 Burton et al.
 D831,952 S * 10/2018 Pennington D3/217
 D833,141 S 11/2018 Carter et al.
 D835,950 S 12/2018 Jacobsen
 D844,324 S 4/2019 Hoppe et al.
 D845,613 S * 4/2019 Decker D3/203.1
 D856,662 S 8/2019 Breines
 D874,129 S 2/2020 Goldstein
 D875,385 S 2/2020 Carter et al.
 D880,253 S 4/2020 Jacobsen
 D881,655 S 4/2020 Jacobsen

D887,136 S 6/2020 Tan
 D893,183 S 8/2020 Eisenhardt et al.
 D896,514 S 9/2020 Tan
 D898,349 S 10/2020 He
 2005/0121275 A1 6/2005 Platte, III
 2005/0279124 A1 12/2005 Maldonado
 2007/0237432 A1 10/2007 Mogil
 2013/0043293 A1 * 2/2013 Connell A45F 3/04
 2014/0290025 A1 * 10/2014 Custer A45F 3/04
 2016/0374440 A1 12/2016 Lundy et al.
 2017/0073146 A1 3/2017 Kuhn et al.
 2018/0220759 A1 8/2018 Johnson

OTHER PUBLICATIONS

Amazon, "Piscifun Fishing Tackle Backpack with 4 Trays Large Waterproof Tackle Bag Storage . . . ", First review Jun. 2, 2018. (<https://www.amazon.com/Piscifun-Backpack-Capacity-Waterproof-Protective/dp/B07CGJDTNG/>) (Year: 2018).*

Flambeau Heritage 4007 Tackle Bag, unknown first available date, DicksSportingGoods.com [online], [site visited Nov. 24, 2020], Available from internet U RL: https://www.dickssportinggoods.com/p/flambeau-heritage-4007-tackle-bag-20fmbafmbhrtg3_70tbx/20fmbafmbhrtg370tbx?sku=21521402&camp=CSE:%E2%80%A6 (Year: 2020).

KastKing Fishing Tackle Bags, first available Jun. 27, 2018, amazon.com [online], [site visited Nov. 14, 2018], Available from internet U R L: https://www.amazon.com/dp/B07F2HV28F/ref=sspa_dk_detail_6?pd_rd_i=B07XRFSFPN&pd_rd_w=a6HTH8tpf_rd_p7d37a48b-2b1a-4373-8c1a-bd%E2%80%A6 (Year: 2018).

Okuma Fishing Tackle Soft Sided Tackle Bag, first available Oct. 23, 2015, amazon.com [online], [site visited Nov. 24, 2020], Available from internet U RL: <https://www.amazon.com/Okuma-Fishing-Tackle-Soft-Sided/dp/B018M56S28> (Year: 2015).

* cited by examiner

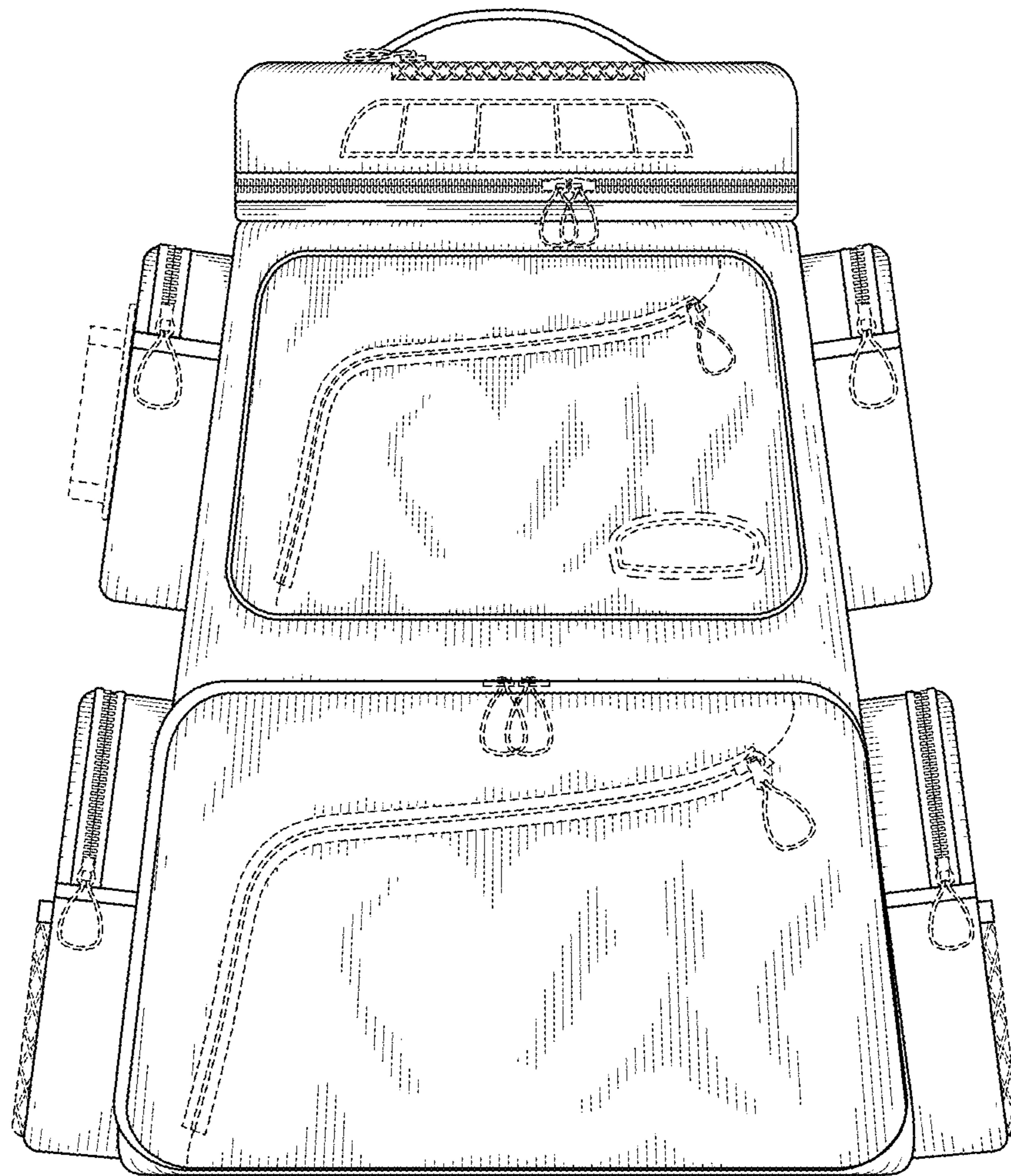


FIG. 1

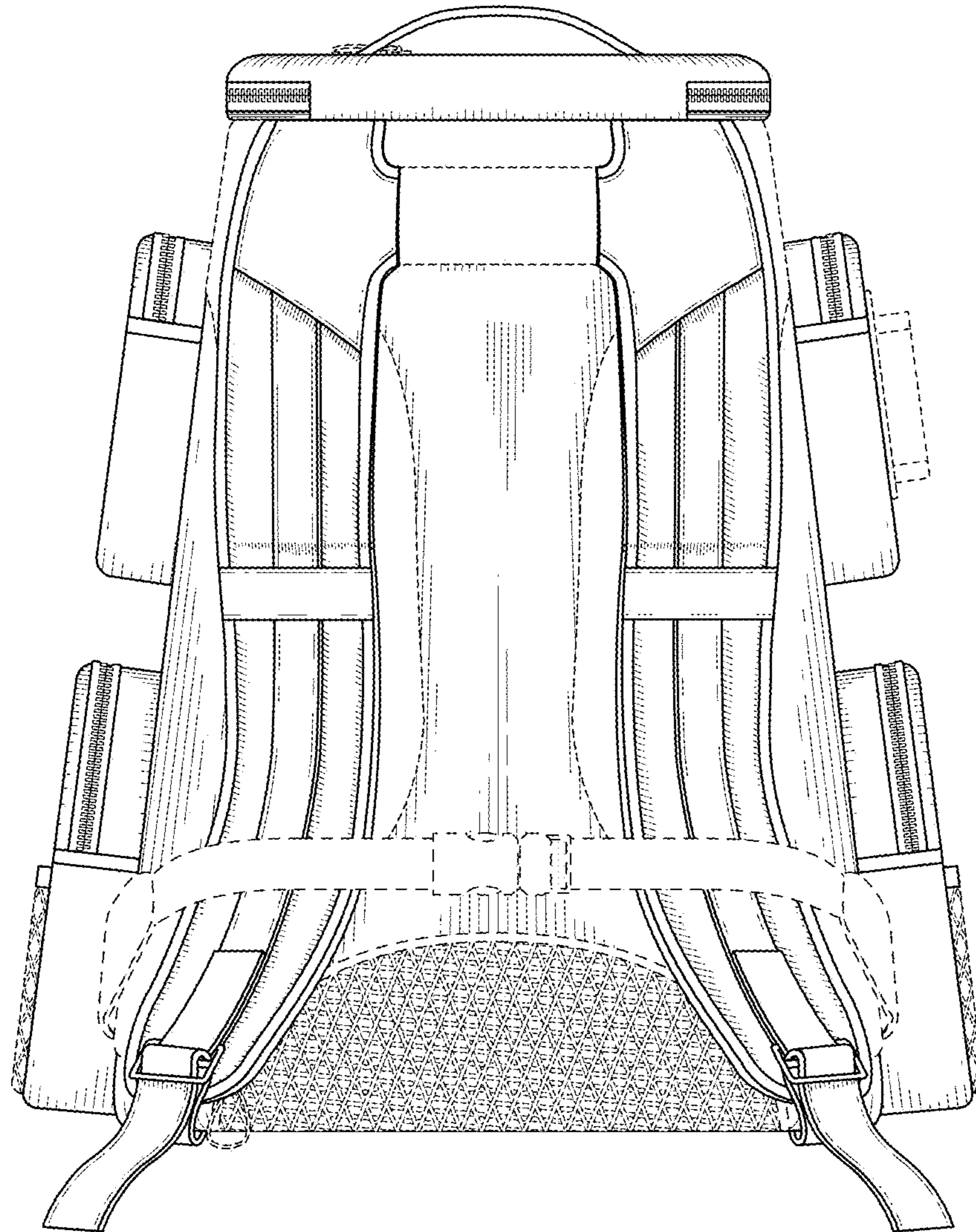


FIG. 2

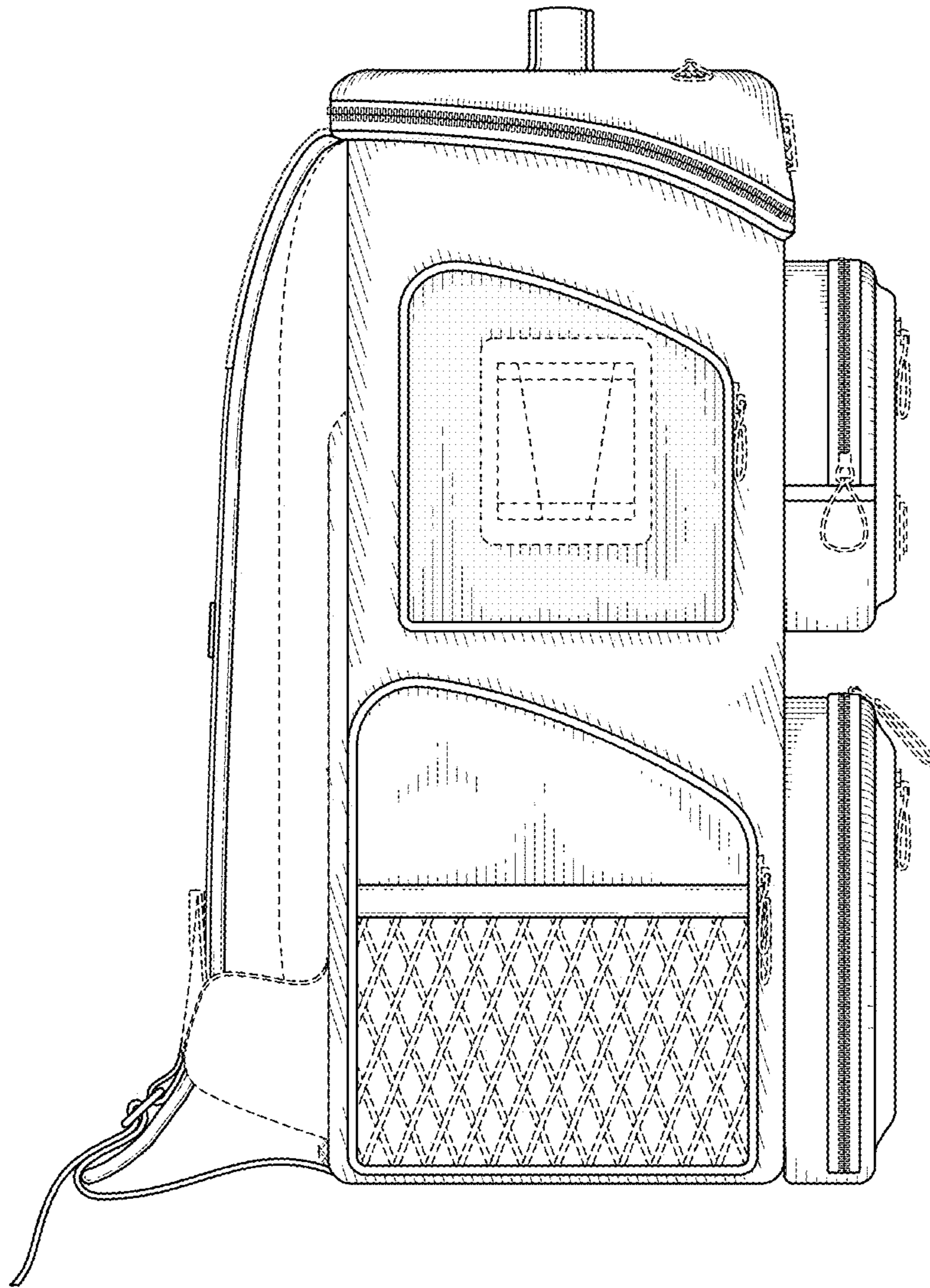


FIG. 3

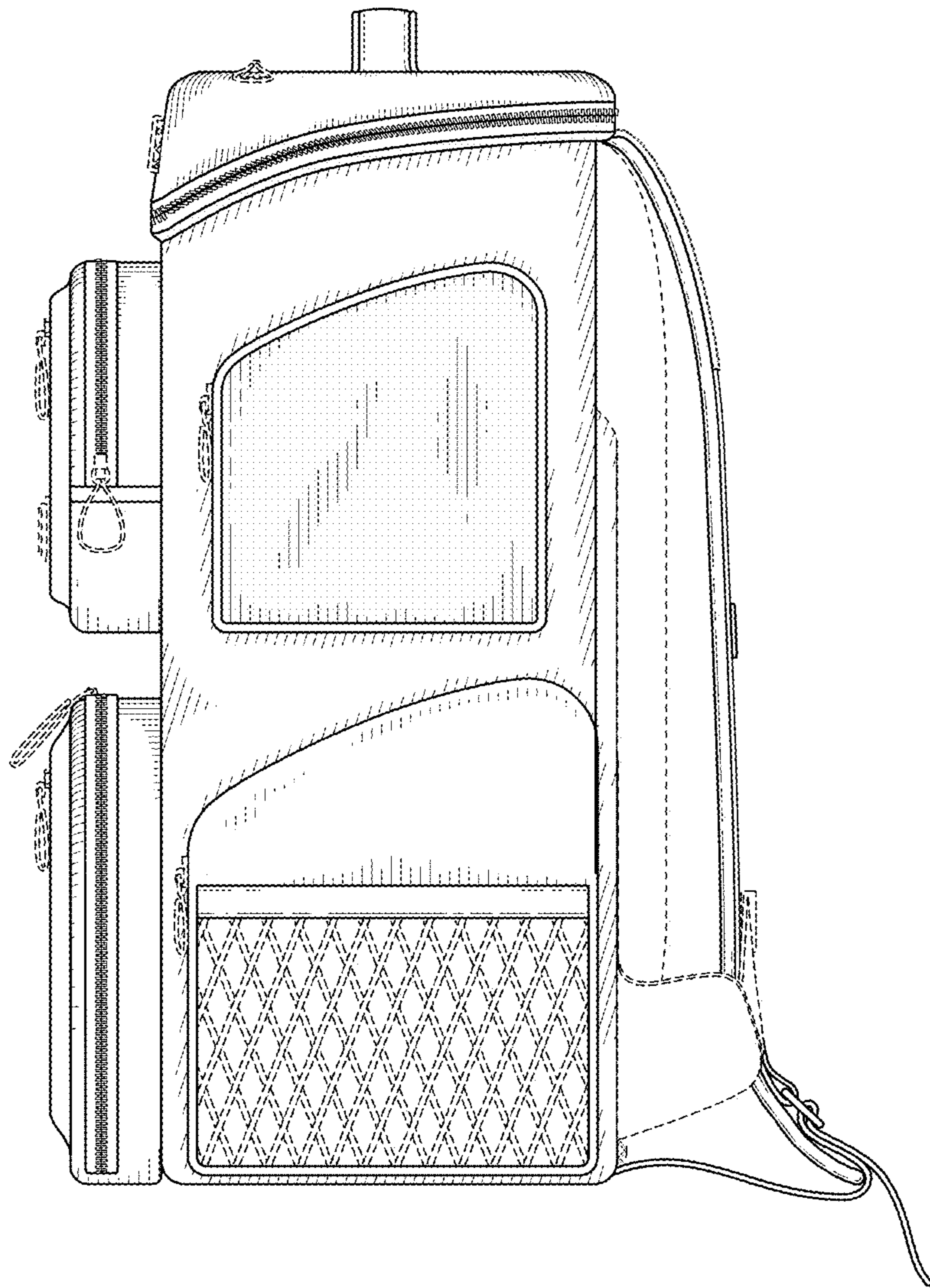


FIG. 4

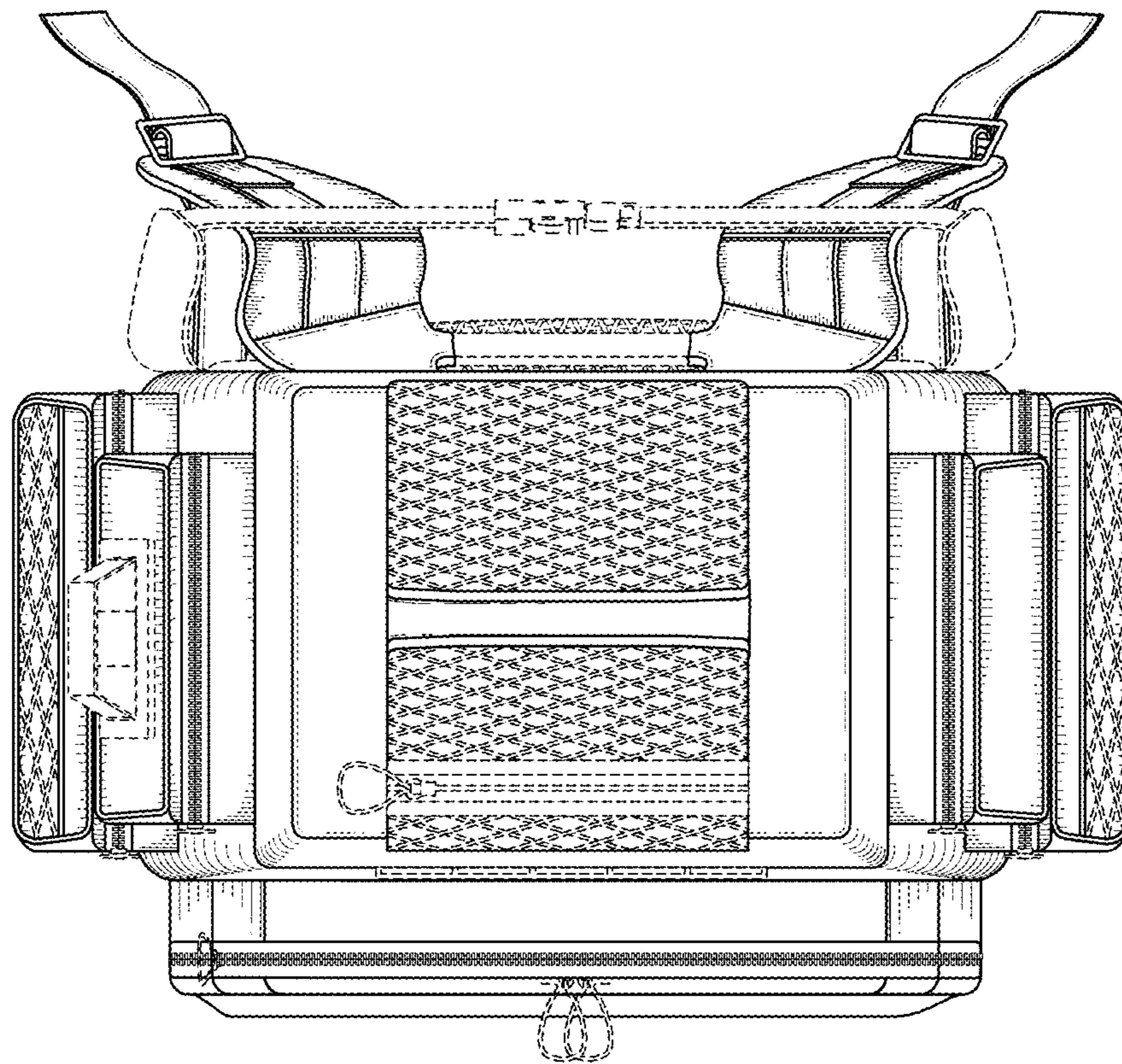


FIG. 5

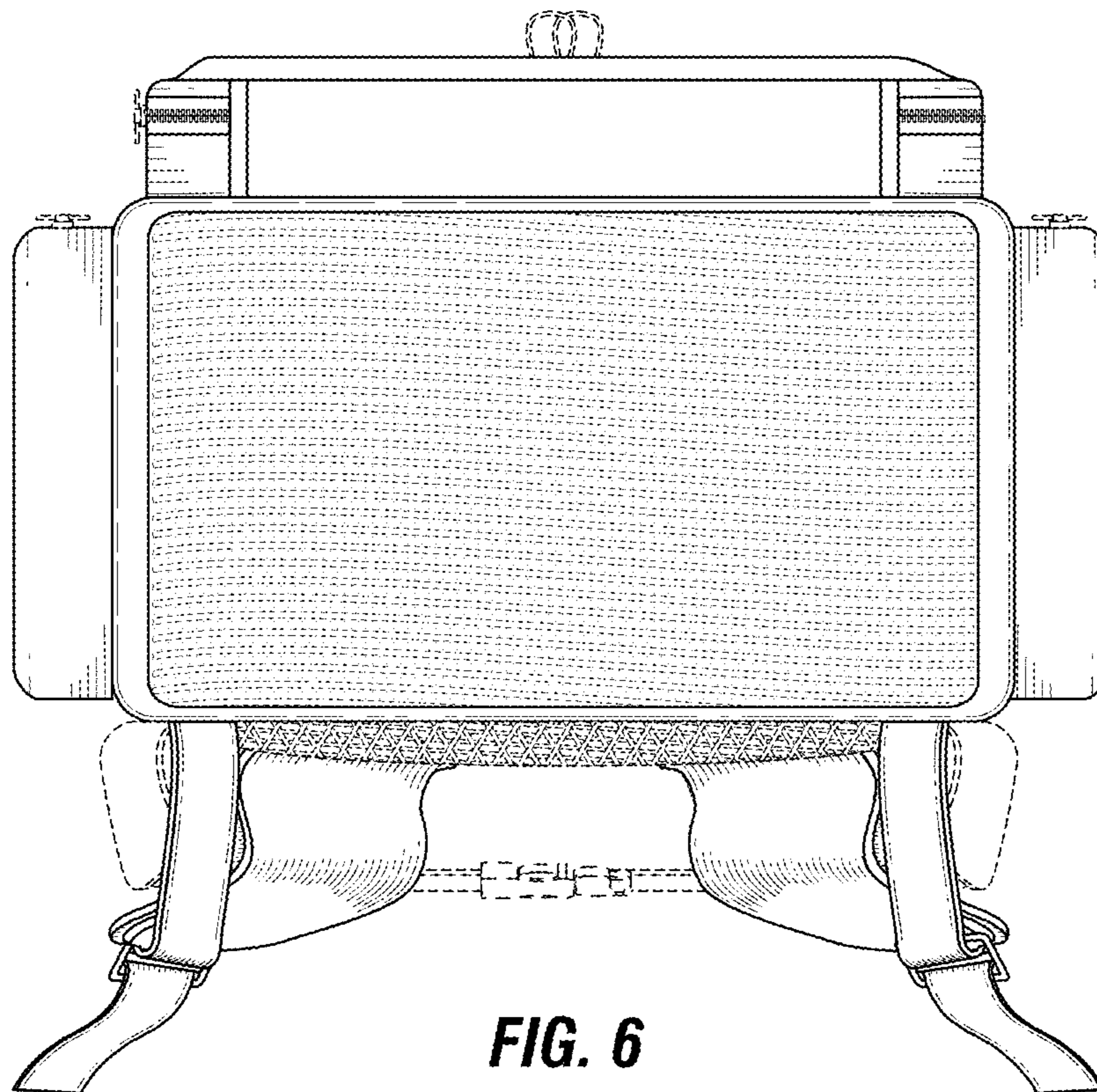


FIG. 6

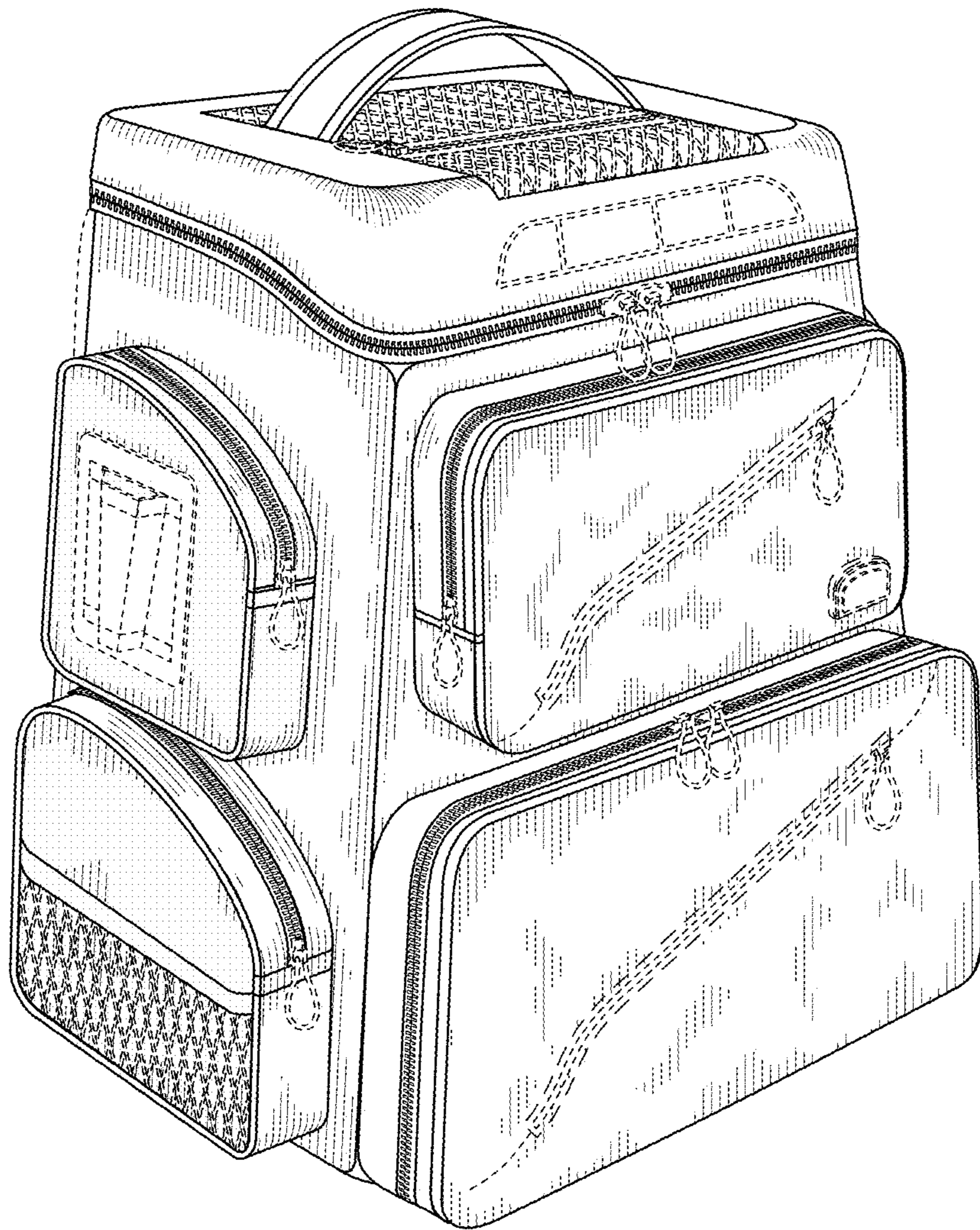


FIG. 7

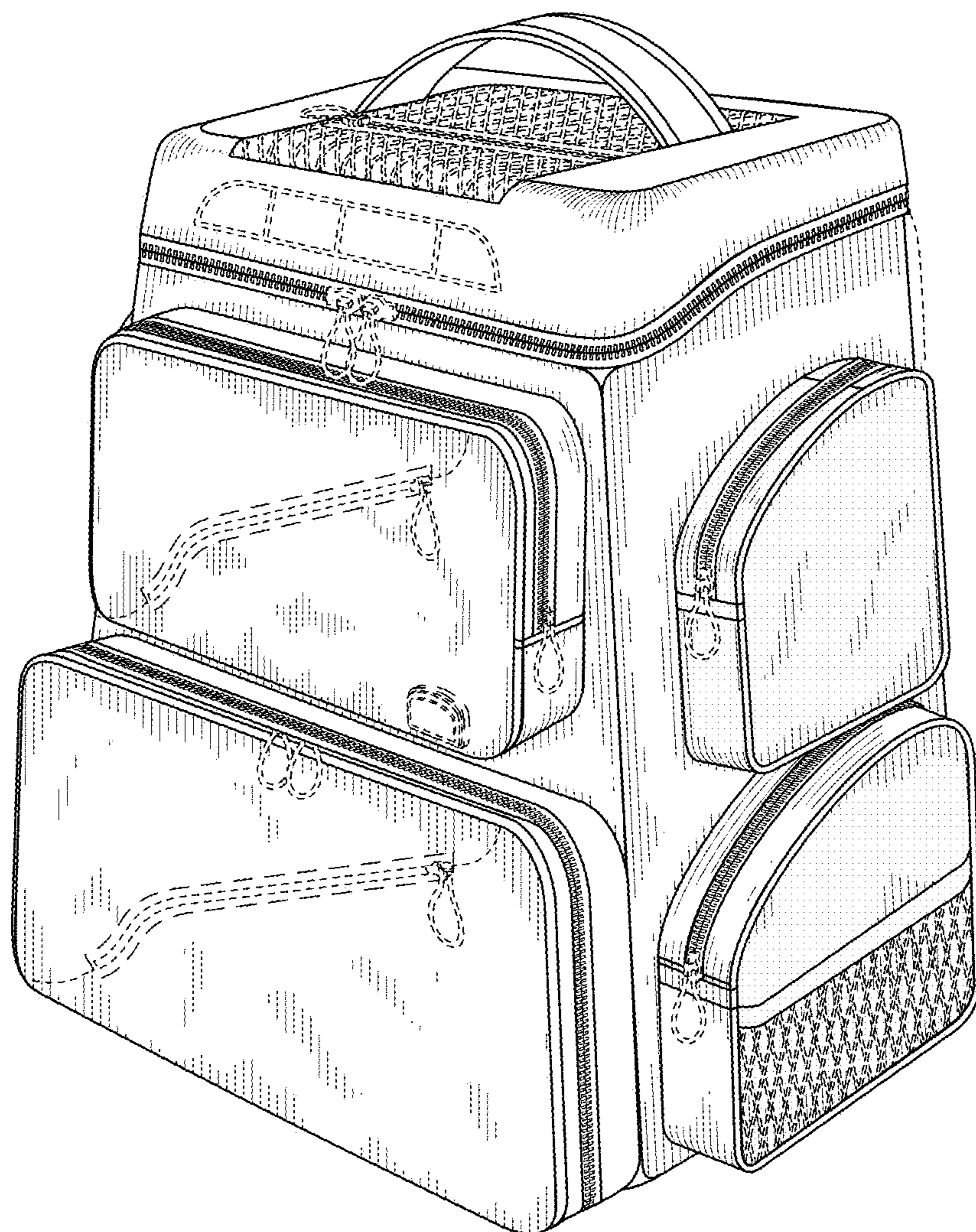


FIG. 8