

US00D922058S

(12) **United States Design Patent**
Durflinger

(10) **Patent No.:** **US D922,058 S**

(45) **Date of Patent:** **** Jun. 15, 2021**

(54) **SHOE**

(71) Applicant: **NIKE, Inc.**, Beaverton, OR (US)

(72) Inventor: **Nate Durflinger**, Portland, OR (US)

(73) Assignee: **NIKE, Inc.**, Beaverton, OR (US)

(**) Term: **15 Years**

(21) Appl. No.: **29/716,183**

(22) Filed: **Dec. 6, 2019**

(51) **LOC (13) Cl.** **02-04**

(52) **U.S. Cl.**

USPC **D2/972**

(58) **Field of Classification Search**

USPC D2/896, 900, 902, 904, 906-908,
D2/916-924, 925-945, 969, 970-979;
36/1.5, 3 A, 83, 45, 99, 101, 112-116,
36/136

CPC A43B 23/00; A43B 23/02; A43B 23/04;
A43B 23/07; A43B 23/024; A43B
23/0245; A43B 23/025; A43B 23/026;
A43B 23/265; A43B 23/14; A43B 23/16;
A43B 23/24; A43B 23/26; A43B 5/00;
A43B 5/001; A43B 5/002; A43B 5/003;
A43B 5/008; A43B 5/06; A43B 5/08;
A43B 5/10; A43B 5/12; A43B 5/14;
A43B 5/145; A43B 1/00; A43B 1/02;
A43B 1/04; A43B 1/0045; A43B 3/12;
A43B 7/00; A43B 9/00; A43B 9/08;
A43B 9/14; A43B 9/16; A43B 11/00;
A43B 21/00; A43B 21/02; A43B 21/04;
A43B 21/06; A43C 1/00; A43C 1/003;
A43C 1/06; A43C 3/00; A43C 5/00;
A43C 7/00; A43C 11/00

See application file for complete search history.

(56) **References Cited**

U.S. PATENT DOCUMENTS

D310,422 S 9/1990 Shupe
D341,703 S * 11/1993 Hatfield D2/973

D391,070 S * 2/1998 Ford D2/972
D397,855 S * 9/1998 Clarke D2/972
D398,756 S * 9/1998 Tong D2/972
D431,714 S * 10/2000 Hatfield D2/972

(Continued)

FOREIGN PATENT DOCUMENTS

CN 304230112 S 8/2017
CN 304272560 S 9/2017

(Continued)

OTHER PUBLICATIONS

Nike Air Max 200, Nike.com, [online], [site visited Mar. 16, 2021].
<URL: <https://www.nike.com/t/air-max-200-mens-shoe-29b3Dr/CI3865-001>> (Year: 2021).*

(Continued)

Primary Examiner — T Chase Nelson

Assistant Examiner — Jonathan J. Han

(74) *Attorney, Agent, or Firm* — Banner & Witcoff, Ltd.

(57) **CLAIM**

The ornamental design for a shoe, as shown and described.

DESCRIPTION

FIG. 1 is a front perspective view of a shoe showing my new design;

FIG. 2 is a side view thereof;

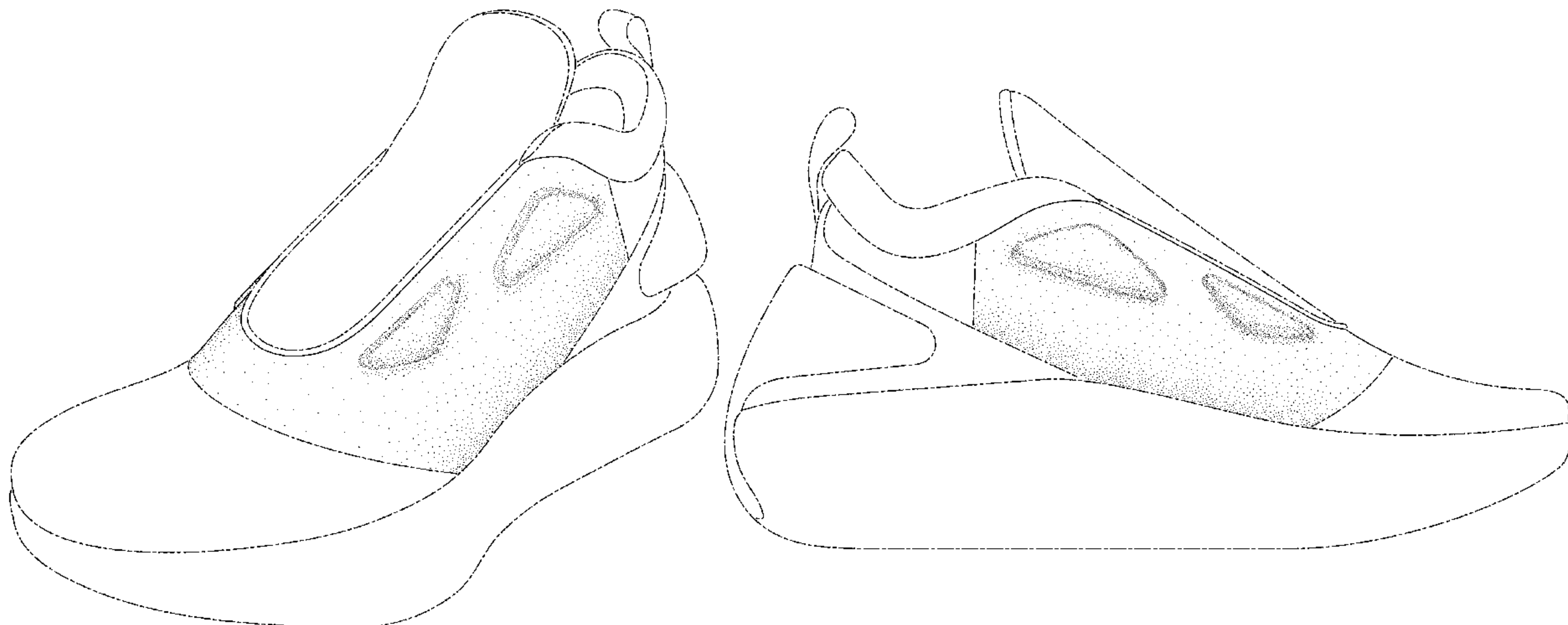
FIG. 3 is an opposite side view thereof;

FIG. 4 is an opposite side front perspective view thereof; and,

FIG. 5 is a front view thereof.

The broken lines immediately adjacent to the shaded area define the bounds of the claimed design and form no part thereof. The broken lines depicting the remainder of the shoe form no part of the claimed design.

1 Claim, 5 Drawing Sheets



(56)

References Cited

U.S. PATENT DOCUMENTS

| | | | | |
|----------|-----|---------|--------------------|--------|
| D435,959 | S | 1/2001 | Akhidime | |
| D496,152 | S * | 9/2004 | Doxey | D2/972 |
| D614,851 | S * | 5/2010 | Minami | D2/972 |
| D636,584 | S * | 4/2011 | Williams, Jr. | D2/972 |
| D636,585 | S * | 4/2011 | Williams, Jr. | D2/972 |
| D645,241 | S * | 9/2011 | McCullagh | D2/972 |
| D659,988 | S * | 5/2012 | Kuerbis | D2/972 |
| D671,734 | S * | 12/2012 | Petrie | D2/972 |
| D675,423 | S * | 2/2013 | Fogg | D2/972 |
| D683,133 | S * | 5/2013 | Petrie | D2/972 |
| D685,174 | S * | 7/2013 | Pizzuti | D2/972 |
| D690,094 | S * | 9/2013 | Yun | D2/972 |
| D690,924 | S * | 10/2013 | Hardman | D2/972 |
| D690,925 | S * | 10/2013 | Hardman | D2/972 |
| D692,223 | S * | 10/2013 | Hui | D2/973 |
| D692,647 | S * | 11/2013 | Rasmussen | D2/972 |
| D693,108 | S * | 11/2013 | Chung | D2/972 |
| D781,042 | S * | 3/2017 | Portzline | D2/969 |
| D781,044 | S * | 3/2017 | Portzline | D2/972 |
| D782,173 | S * | 3/2017 | Hurayt | D2/972 |
| D793,702 | S * | 8/2017 | Parker | D2/972 |
| D794,301 | S | 8/2017 | Raasch | |
| D799,186 | S | 10/2017 | Hardman | |
| D805,759 | S * | 12/2017 | Robusti | D2/973 |
| D836,320 | S | 12/2018 | Petrie | |
| D838,957 | S * | 1/2019 | Robusti | D2/969 |
| D858,078 | S | 9/2019 | Avar et al. | |
| D870,442 | S * | 12/2019 | Robusti | D2/969 |
| D871,049 | S * | 12/2019 | Amago | D2/972 |
| D886,442 | S * | 6/2020 | Lam | D2/973 |

FOREIGN PATENT DOCUMENTS

| | | | |
|----|-----------|---|---------|
| CN | 304298709 | S | 9/2017 |
| CN | 304372244 | S | 11/2017 |
| CN | 304532065 | S | 3/2018 |
| CN | 305073301 | S | 3/2019 |
| CN | 305137597 | S | 5/2019 |
| CN | 305183792 | S | 5/2019 |
| CN | 305206244 | S | 6/2019 |

OTHER PUBLICATIONS

“Nike’s power-laced ‘Back to the Future’ shoes arrive in 2016”; Engadget; retrieved Nov. 14, 2019; published Oct. 21, 2015; URL: <<https://www.engadget.com/2015/10/21/nike-mags-back-to-the-future-shoes-2016/>>.

“Nike to Introduce \$350 USD Auto-Lacing HyperAdapts to the Basketball Court”; Hypebeast; retrieved Nov. 14, 2019; published Dec. 21, 2018; URL: <<https://hypebeast.com/2018/12/nike-basketball-hyperadapt-2019-auto-lacing>>.

“Soft Pink Accents Appear on This Crisp Nike Air Max 90”; Sneaker News; retrieved Nov. 14, 2019; published Oct. 7, 2019; URL: <<https://sneakernews.com/2019/10/07/nike-air-max-90-325213-143-release-info/>>.

“The Nike Adapt BB Revealed in “Multicolor” Leading Up to New NBA Season”; Sneaker News; retrieved Nov. 14, 2019; published Oct. 1, 2019; URL: <<https://sneakernews.com/2019/10/01/nike-adapt-bb-multicolor-ao2582-900/>>.

* cited by examiner

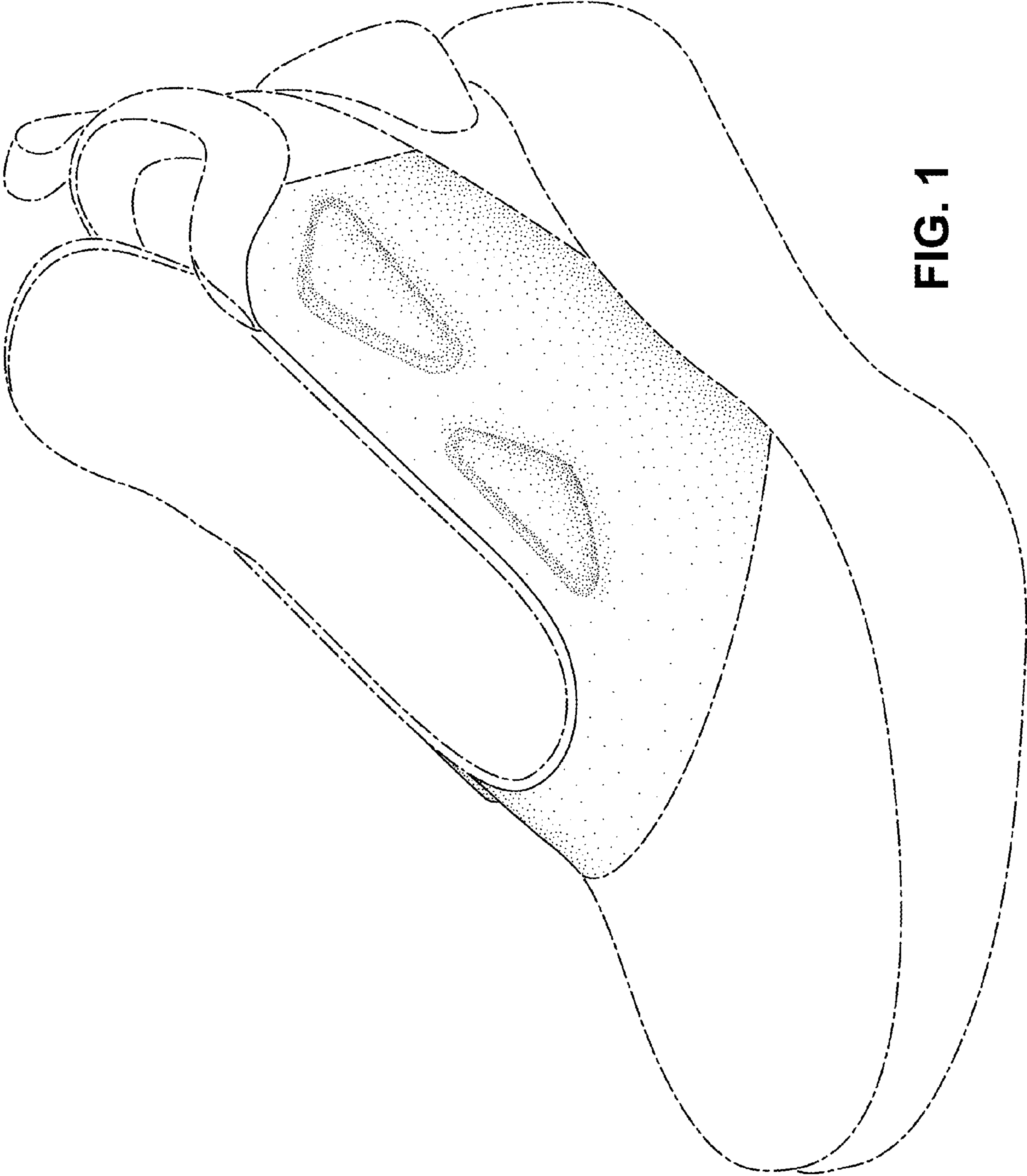


FIG. 1

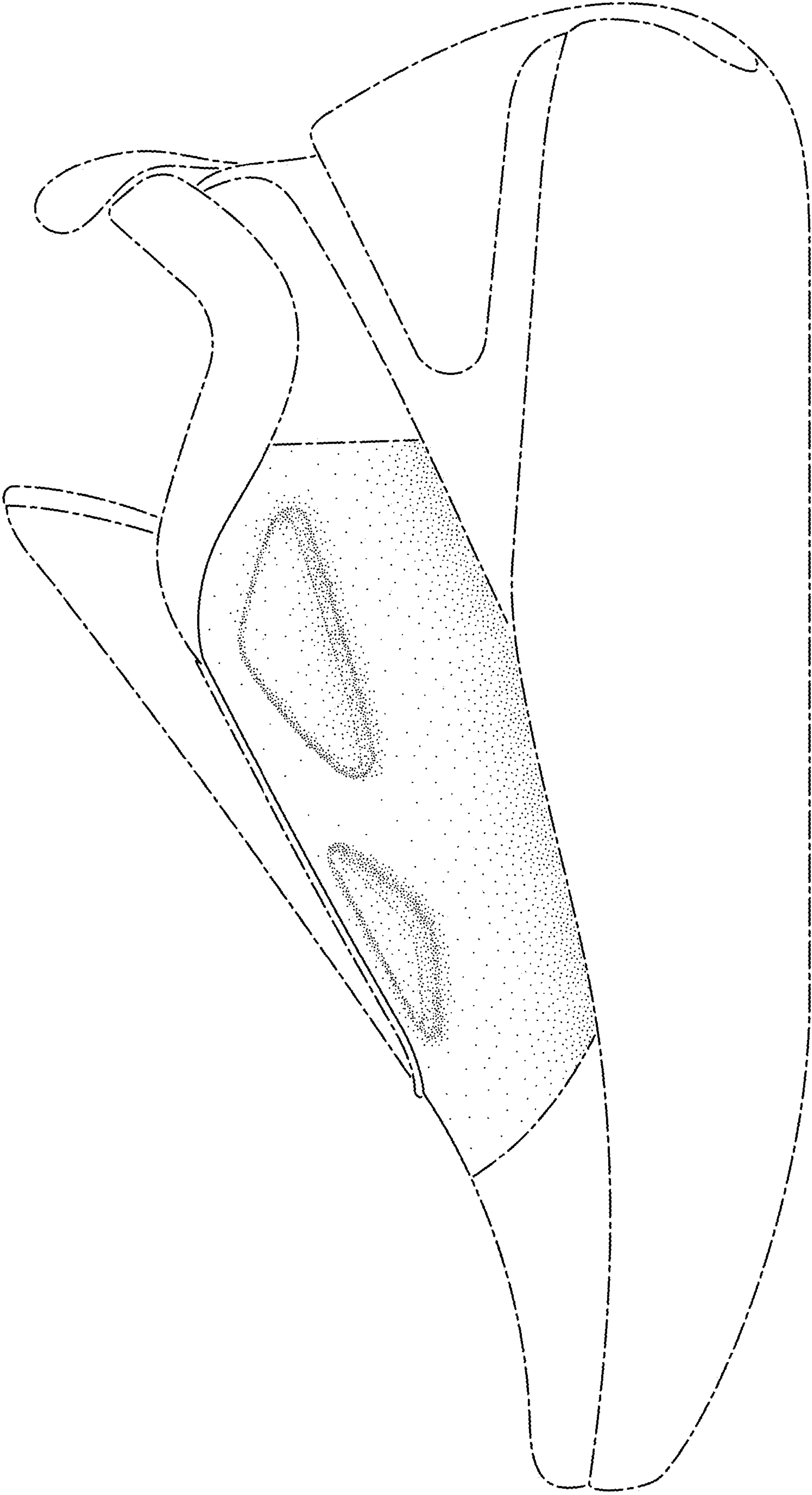


FIG. 2

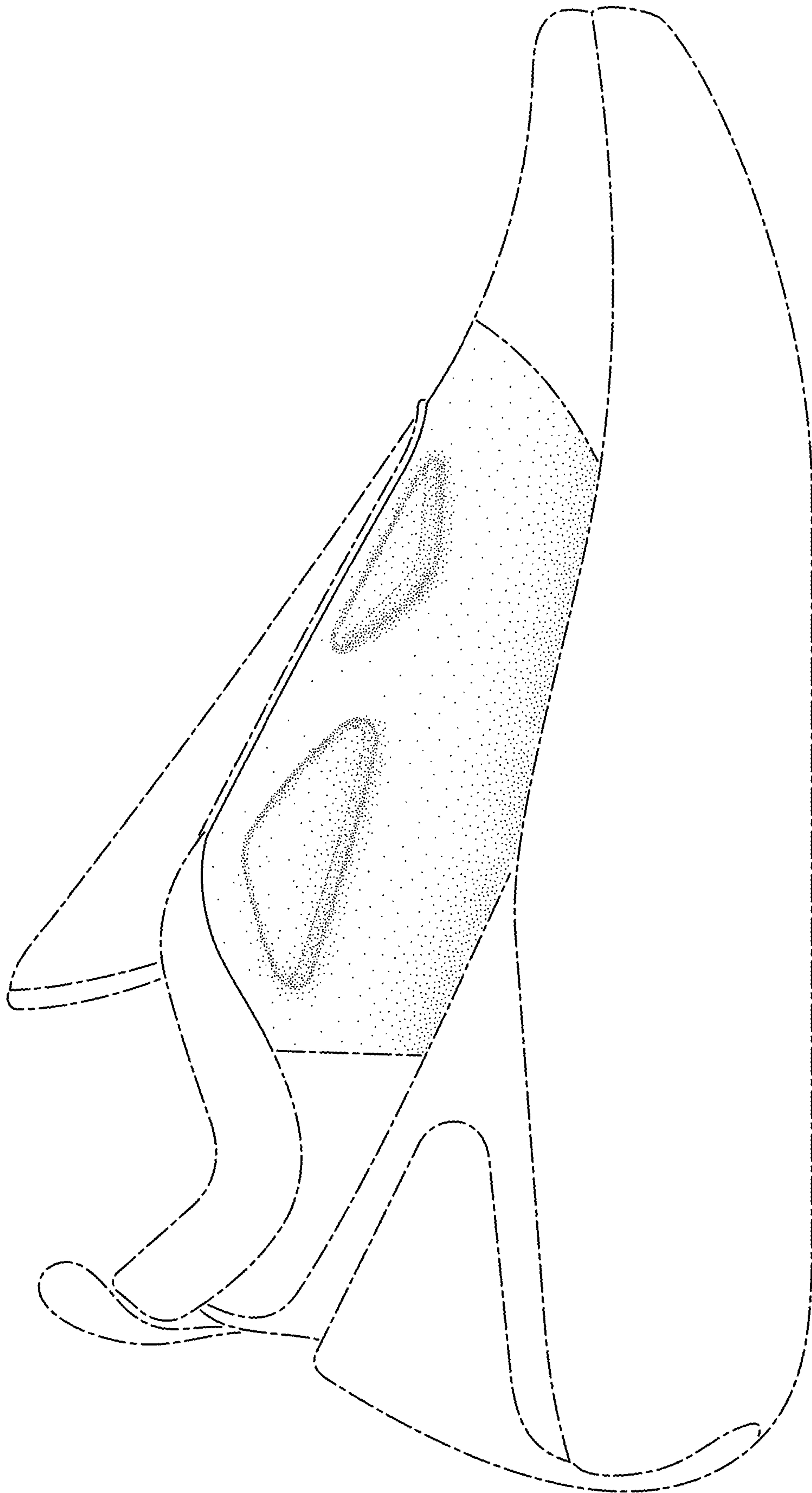


FIG. 3

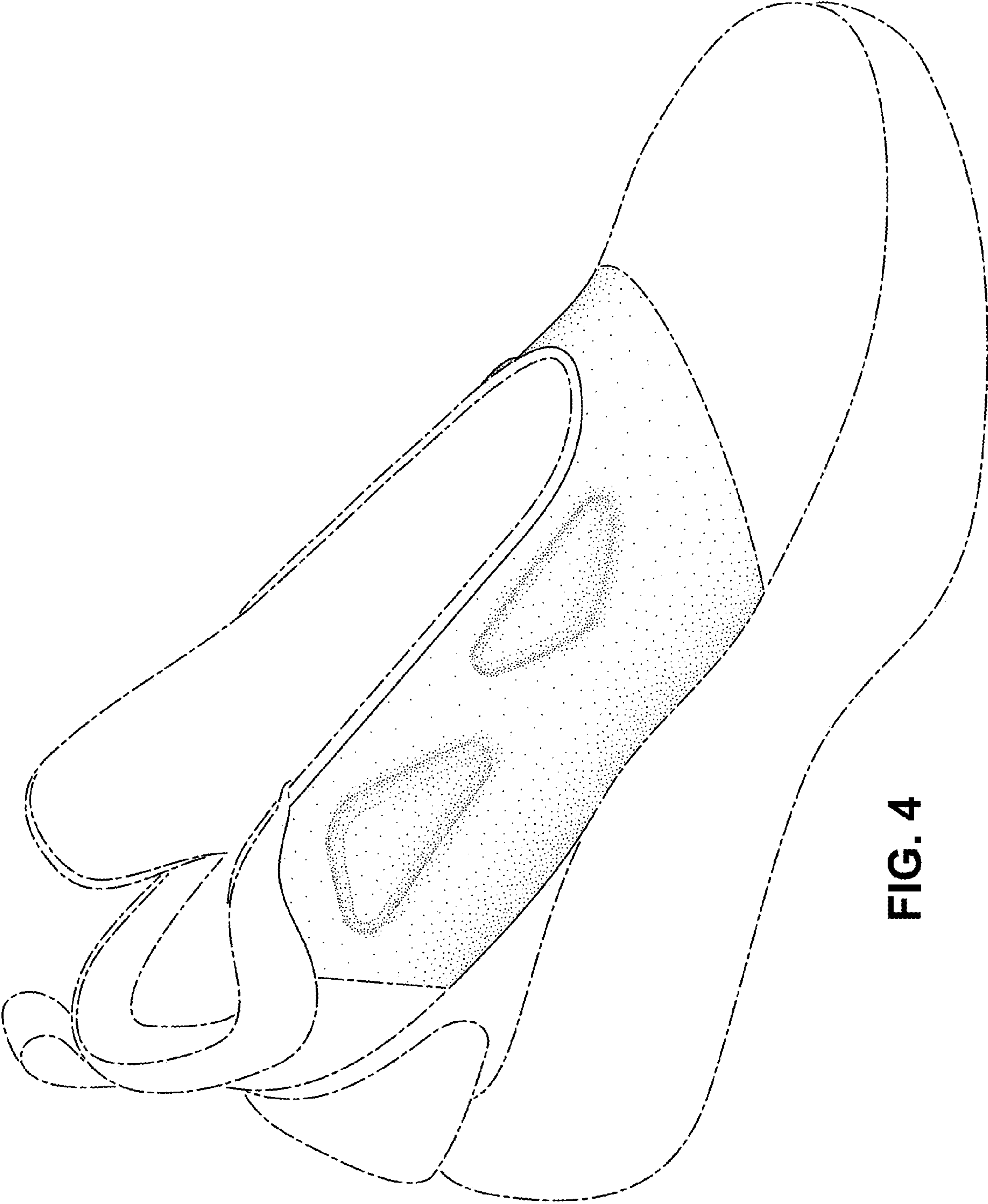


FIG. 4

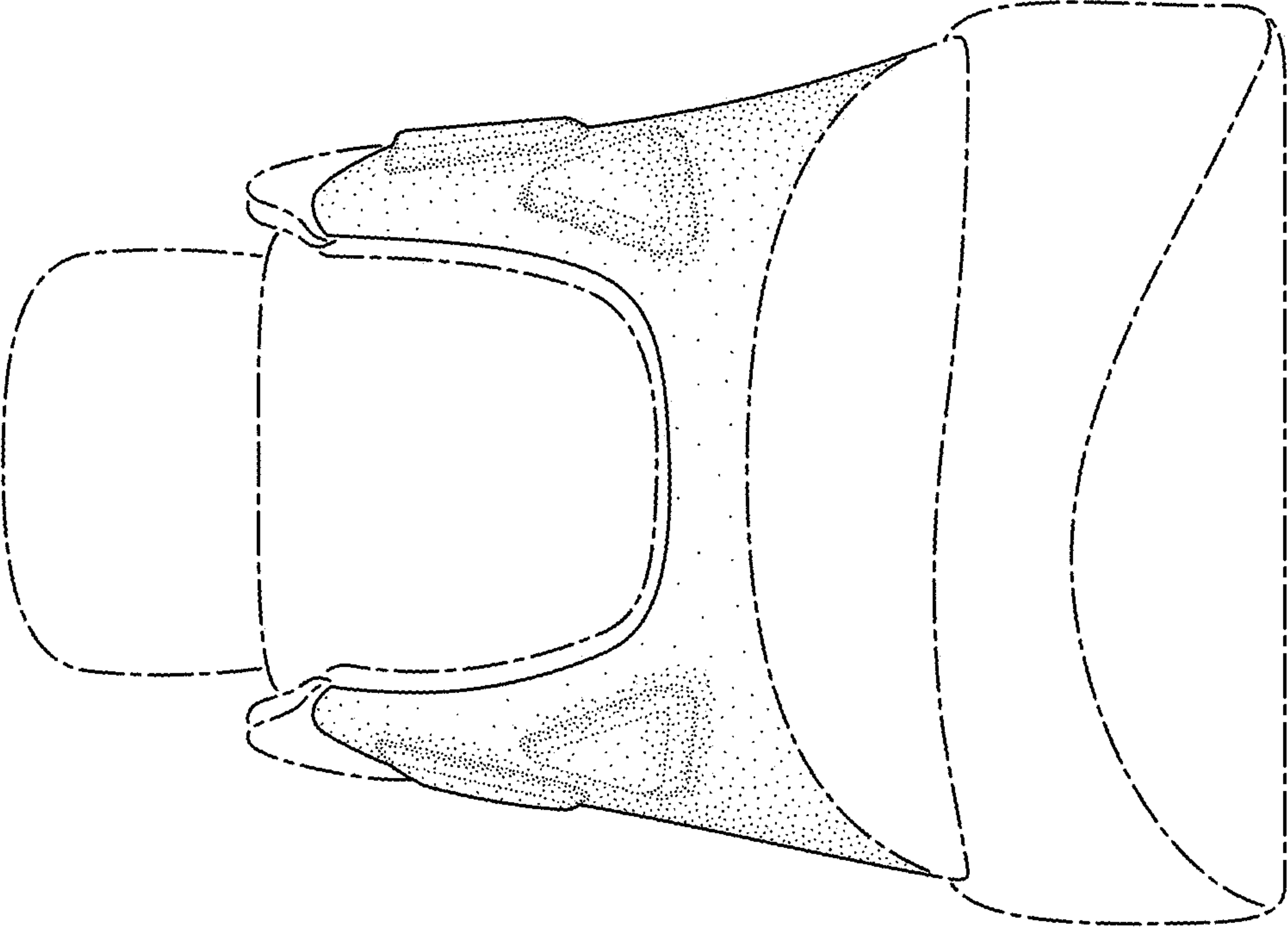


FIG. 5