



US00D922057S

(12) **United States Design Patent** (10) **Patent No.:** **US D922,057 S**  
**Gerig** (45) **Date of Patent:** **\*\* Jun. 15, 2021**

- (54) **SHOE**
- (71) Applicant: **NIKE, Inc.**, Beaverton, OR (US)
- (72) Inventor: **Kristina Gerig**, Portland, OR (US)
- (73) Assignee: **NIKE, Inc.**, Beaverton, OR (US)
- (\*\*) Term: **15 Years**
- (21) Appl. No.: **29/714,961**
- (22) Filed: **Nov. 27, 2019**
- (51) **LOC (13) Cl.** ..... **02-04**
- (52) **U.S. Cl.**  
USPC ..... **D2/972**
- (58) **Field of Classification Search**  
USPC ..... D2/896, 902-907, 909, 915, 930, 943,  
D2/946, 947, 962, 964, 968, 969, 970,  
D2/972, 976-978; 36/34 R, 40, 41, 34 A,  
36/58.6  
CPC ..... A43B 5/00; A43B 5/005; A43B 5/006;  
A43B 5/08; A43B 5/10; A43B 5/14;  
A43B 5/18; A43B 23/00; A43B 23/02;  
A43B 23/08; A43B 23/10; A43B 23/14;  
A43B 23/16; A43B 23/17; A43B 23/24;  
A43B 21/36; B68C 3/00  
See application file for complete search history.

- D330,797 S 11/1992 Lucas
- D332,344 S 1/1993 Hatfield et al.
- D336,771 S 6/1993 Hatfield et al.
- D347,106 S 5/1994 Sell, Jr. et al.
- D349,808 S 8/1994 Passke et al.
- D350,016 S 8/1994 Passke et al.
- D363,372 S 10/1995 Hatfield et al.
- D366,756 S 2/1996 Forland et al.
- D384,193 S 9/1997 Avar
- D386,589 S 11/1997 Cass
- D404,896 S 2/1999 Cooper
- D430,723 S 9/2000 Kim
- D432,292 S 10/2000 Kim
- D434,547 S 12/2000 Kim
- D437,674 S 2/2001 Santa et al.

(Continued)

**OTHER PUBLICATIONS**

Nike Footwear Catalog, 1996 Fall Footwear, p. 141, published Dec. 1995, Nike, Inc., USA.

(Continued)

*Primary Examiner* — Elizabeth J Oswecki  
*Assistant Examiner* — Yelizaveta Y Masalimova  
(74) *Attorney, Agent, or Firm* — Banner & Witcoff, Ltd.

(57) **CLAIM**

The ornamental design for a shoe, as shown and described.

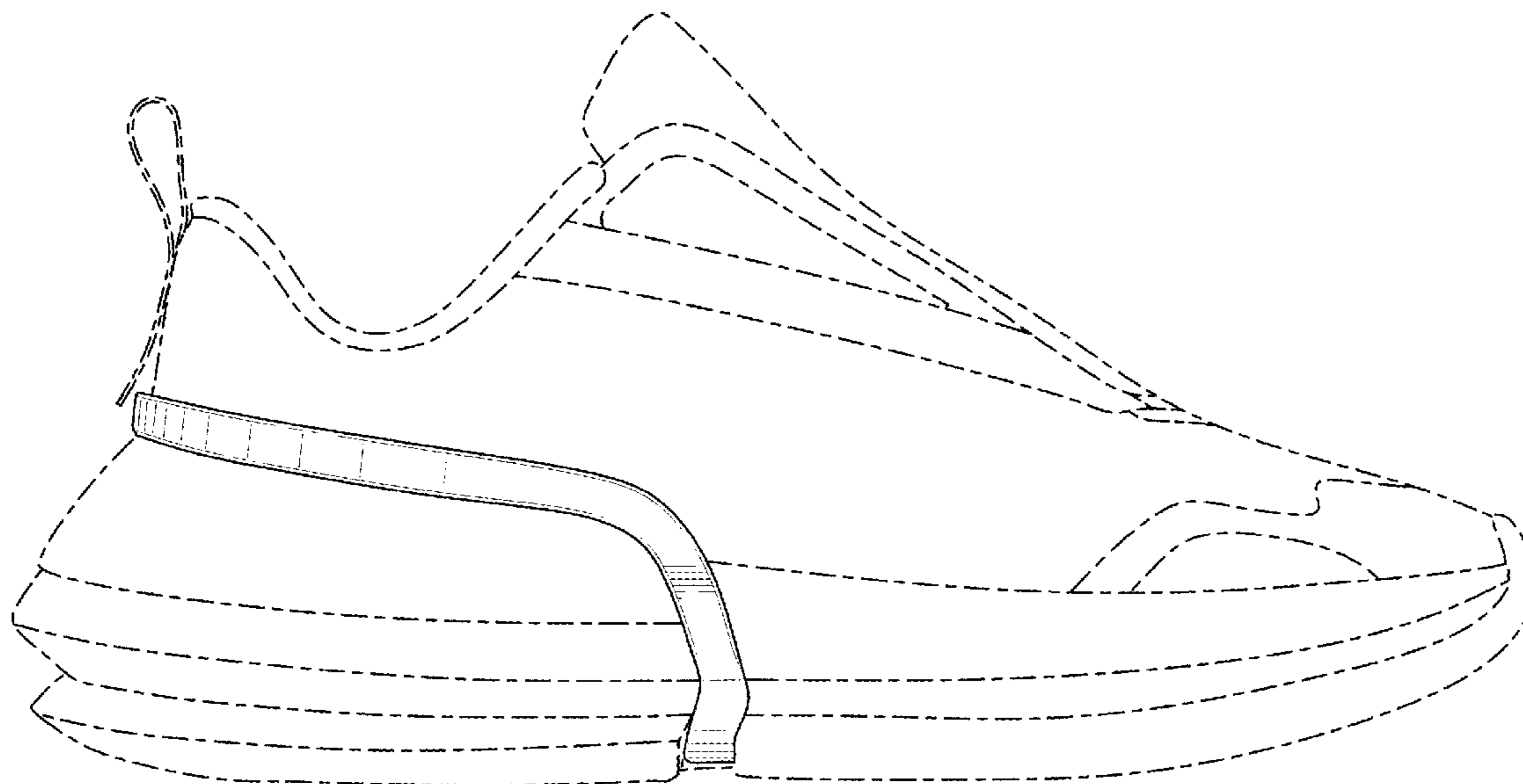
**DESCRIPTION**

FIG. 1 is a side view of a shoe showing my new design; FIG. 2 is a rear perspective view thereof; FIG. 3 is a rear view thereof; FIG. 4 is an opposite side rear perspective view thereof; FIG. 5 is an opposite side view thereof; FIG. 6 is a bottom front perspective view thereof; and, FIG. 7 is a bottom view thereof. The broken lines depicting the remainder of the shoe form no part of the claimed design.

**1 Claim, 7 Drawing Sheets**

(56) **References Cited**  
U.S. PATENT DOCUMENTS

- D263,643 S 4/1982 Vermonet
- D265,144 S 6/1982 Vermonet
- D265,435 S 7/1982 Vermonet
- D266,285 S 9/1982 Vermonet
- D279,232 S 6/1985 Gamm
- D296,152 S 6/1988 Selbiger
- D309,669 S 8/1990 Arai
- D316,626 S 5/1991 Hatfield
- D324,131 S 2/1992 Lucas
- D328,385 S 8/1992 Hatfield



(56)

References Cited

U.S. PATENT DOCUMENTS

D483,938 S \* 12/2003 Laberge ..... D2/973  
 D495,127 S 8/2004 Marvin et al.  
 D498,901 S 11/2004 Hawker et al.  
 D500,195 S 12/2004 Matis  
 6,925,732 B1 \* 8/2005 Clarke ..... A43B 7/141  
 36/27  
 D516,783 S 3/2006 Chu  
 D534,345 S 1/2007 Dojan et al.  
 D534,346 S 1/2007 Dojan et al.  
 D542,014 S 5/2007 McClaskie  
 D544,194 S \* 6/2007 Roth ..... D2/916  
 D554,831 S 11/2007 Lotti  
 D571,991 S \* 7/2008 Petrie ..... D2/969  
 D577,478 S 9/2008 Peveto et al.  
 D595,492 S 7/2009 Mayden  
 D609,452 S \* 2/2010 Smotrycz ..... D2/972  
 D613,043 S 4/2010 Walton  
 D624,291 S 9/2010 Henderson  
 D634,536 S 3/2011 Lee et al.  
 D643,189 S 8/2011 Teteriatnikov  
 8,020,317 B1 \* 9/2011 Sokolowski ..... A43B 23/17  
 36/69  
 D655,483 S 3/2012 Portzline  
 D671,306 S 11/2012 Tzenos  
 D672,123 S 12/2012 Williams, Jr.  
 D690,088 S 9/2013 Hardman  
 D692,217 S 10/2013 Fogg  
 D699,929 S 2/2014 Restrepo et al.  
 D701,680 S 4/2014 Della Valle et al.  
 D702,424 S 4/2014 Miner  
 D713,625 S 9/2014 Raasch  
 D713,626 S 9/2014 Raasch  
 D735,976 S 8/2015 Siegel  
 D746,560 S 1/2016 Verfl  
 D747,083 S 1/2016 Verfl  
 D761,526 S 7/2016 Siegel  
 D768,969 S 10/2016 Boys  
 D770,740 S 11/2016 Teteriatnikov  
 D783,246 S 4/2017 Chang  
 D783,959 S 4/2017 Chang  
 D789,051 S 6/2017 Kuerbis  
 D792,685 S 7/2017 Parrett  
 D794,287 S 8/2017 Raasch  
 D799,196 S \* 10/2017 Ploughman ..... D2/976  
 D799,800 S 10/2017 Engel  
 D799,801 S 10/2017 Da Costa Pereira Machado  
 D802,266 S 11/2017 Hardman  
 D808,629 S 1/2018 Parrett et al.  
 D817,611 S 5/2018 Small  
 D840,135 S 2/2019 Dombrow  
 D869,832 S 6/2019 Pauk  
 D854,303 S \* 7/2019 Flanagan ..... A43B 11/00  
 D2/972  
 D858,054 S \* 9/2019 McMillan ..... D2/947  
 D858,962 S 9/2019 Small et al.  
 D859,793 S 9/2019 Vasyli et al.  
 D860,592 S 9/2019 Mitek et al.  
 D860,598 S 9/2019 Small et al.  
 D860,599 S 9/2019 Small et al.  
 D860,600 S 9/2019 Small et al.  
 D860,601 S 9/2019 Small et al.  
 D860,602 S 9/2019 Small et al.  
 D860,603 S 9/2019 Small et al.  
 D860,604 S 9/2019 Small et al.  
 D860,605 S 9/2019 Small et al.  
 D860,606 S 9/2019 Small et al.  
 D860,607 S 9/2019 Small et al.  
 D860,608 S 9/2019 Small et al.  
 D860,609 S 9/2019 Small et al.

D860,610 S 9/2019 Small et al.  
 D860,611 S 9/2019 Small et al.  
 D862,057 S 10/2019 Small et al.  
 D862,853 S 10/2019 Gerig  
 D863,736 S 10/2019 Della Valle et al.  
 D863,752 S \* 10/2019 Taneva ..... D2/972  
 D869,131 S 12/2019 Raasch  
 D874,104 S 2/2020 Gerig  
 D879,425 S 3/2020 Raasch  
 D882,909 S 5/2020 Small et al.  
 D883,644 S \* 5/2020 Jones ..... D2/972  
 D890,507 S \* 7/2020 Shyllon ..... D2/972  
 D894,552 S \* 9/2020 Gerig ..... D2/947  
 D894,553 S \* 9/2020 Gerig ..... D2/947  
 D894,554 S \* 9/2020 Gerig ..... D2/947  
 D894,555 S \* 9/2020 Gerig ..... D2/947  
 D894,556 S \* 9/2020 Gerig ..... D2/947  
 D895,243 S \* 9/2020 Gerig ..... D2/947  
 D900,442 S \* 11/2020 Sagat ..... D2/947  
 D905,394 S \* 12/2020 Schultze ..... D2/947  
 D906,659 S \* 1/2021 Odinot ..... D2/972  
 D907,342 S \* 1/2021 Odinot ..... D2/947  
 D910,986 S \* 2/2021 Durflinger ..... D2/947  
 D911,016 S \* 2/2021 Richez ..... D2/972  
 2004/0111921 A1 \* 6/2004 Lenormand ..... A43B 5/003  
 36/45  
 2018/0110287 A1 \* 4/2018 Hopkins ..... A43B 23/0245

OTHER PUBLICATIONS

Nike Footwear Catalog, 1997 Fall Footwear, p. 161, published Dec. 1996, Nike, Inc., USA.  
 Nike Footwear Catalog, 1997 Spring Footwear, p. 152, published Jun. 1996, Nike, Inc., USA.  
 Nike Footwear Catalog, 1999 Holiday Men's and Women's Footwear, p. M48, published Mar. 1999, Nike, Inc., USA.  
 Nike Footwear Catalog, 1999 Late Spring: Men's and Women's Footwear, p. M41, published Sep. 1998, Nike, Inc., USA.  
 Nike Footwear Catalog, 2000 Fall: Men's and Women's Footwear (blue cover), p. 32, published Nov. 1999, Nike, Inc., USA.  
 Nike Footwear Catalog, 2001 Fall Footwear, p. 23, published Jul. 2000, Nike, Inc., USA.  
 Nike Footwear Catalog, 2001 Fall Footwear, p. 38, published Jul. 2000, Nike, Inc., USA.  
 Nike Footwear Catalog, 2001 Fall Footwear, p. 45, published Jul. 2000, Nike, Inc., USA.  
 Nike Footwear Catalog, 2001 Spring Men's and Women's Footwear 2, p. 12, published Jun. 2000, Nike, Inc., USA.  
 Nike Footwear Catalog, 2001 Spring Men's and Women's Footwear 2, p. 3, published Jun. 2000, Nike, Inc., USA.  
 Nike Footwear Catalog, 2001 Spring Men's and Women's Footwear 2, p. 38, published Jun. 2000, Nike, Inc., USA.  
 Nike Footwear Catalog, 2002 Fall Footwear, p. 3, published Jun. 2001, Nike, Inc., USA.  
 Nike Footwear Catalog, 2002 Fall Men's and Women's Footwear, p. 32, published Nov. 2001, Nike, Inc., USA.  
 "Nike Air Force 270 "Carnivore" Arriving to Retailers"; Sneaker Bar Detroit; retrieved Nov. 14, 2019; published May 18, 2018; URL: <<https://sneakerbardetroit.com/nike-air-force-270-carnivore/>>.  
 "The Nike Air Max 270 Gets The "Have A Nike Day" Spirit"; Sneaker News; retrieved Nov. 14, 2019; published Feb. 4, 2019; URL: <<https://sneakernews.com/2019/02/04/nike-air-max-270-have-a-nike-day-ci2309-001-release-info/>>.  
 "A Mowabb-Style Colorway Comes To The Air Max 270 Bowfin"; Sneaker News; retrieved Nov. 14, 2019; published Nov. 10, 2019; URL: <<https://sneakernews.com/2018/11/10/nike-air-max-270-bowfin-aj7200-201-release-info/>>.

\* cited by examiner

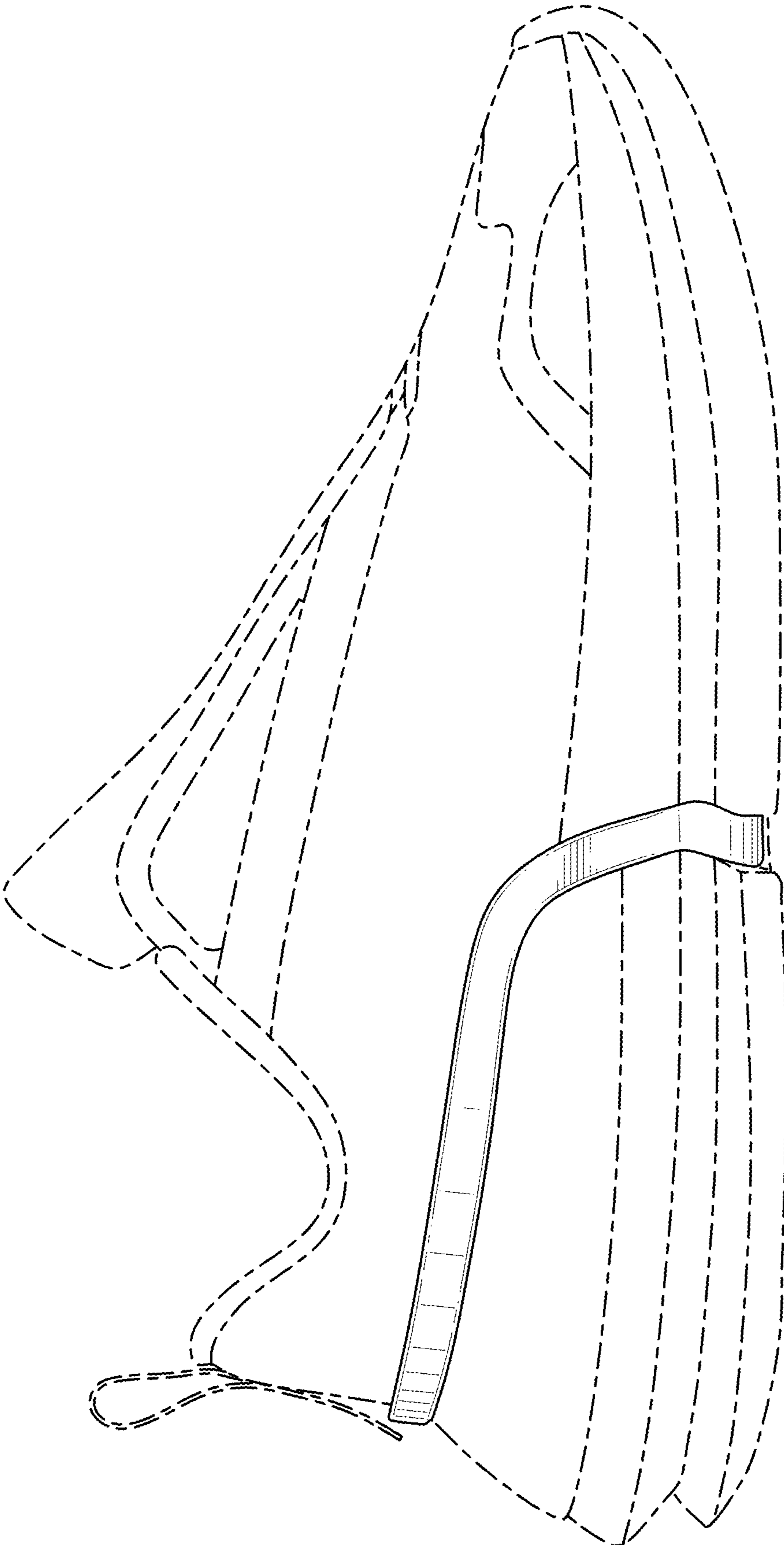
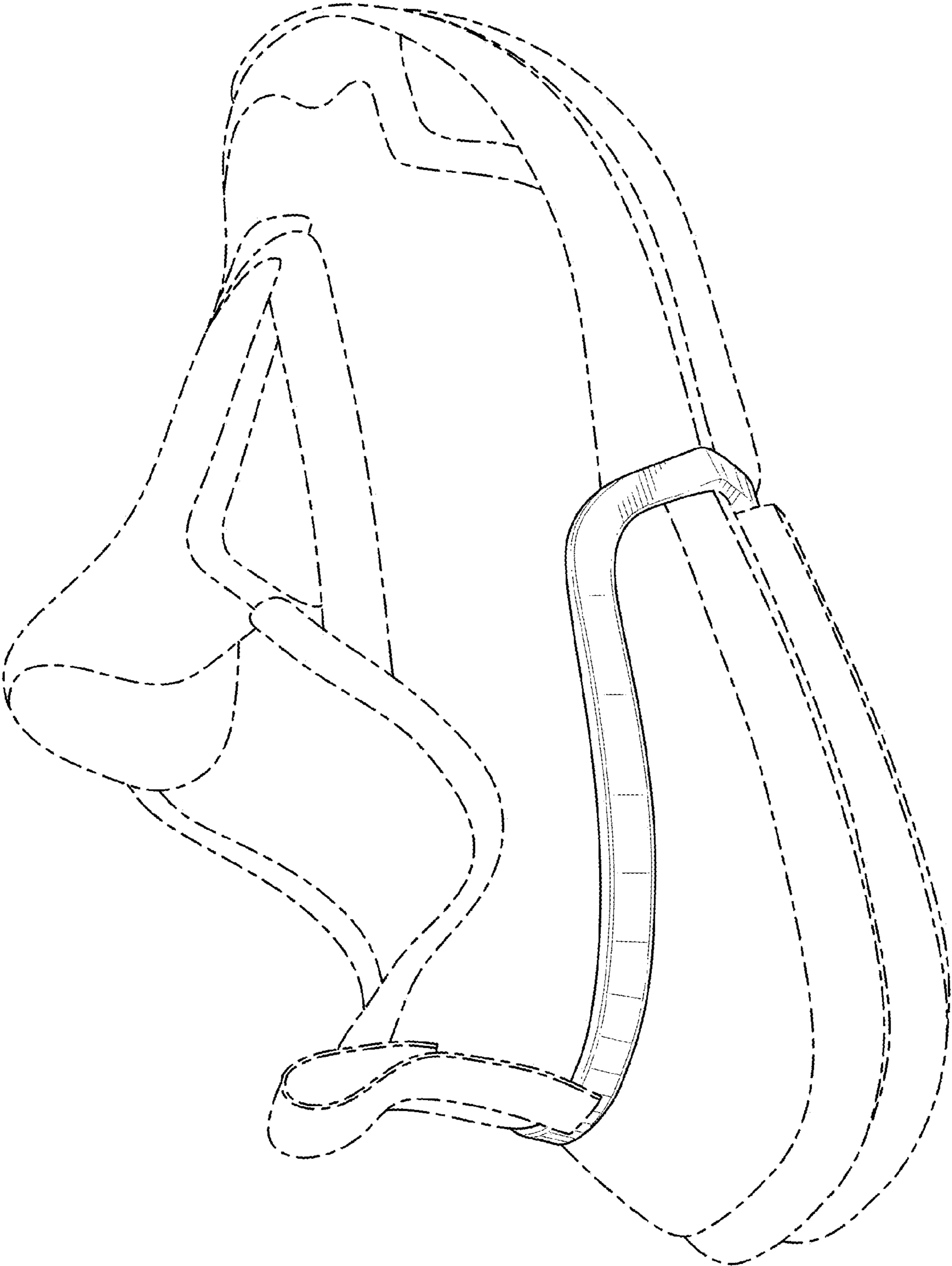


FIG. 1



**FIG. 2**

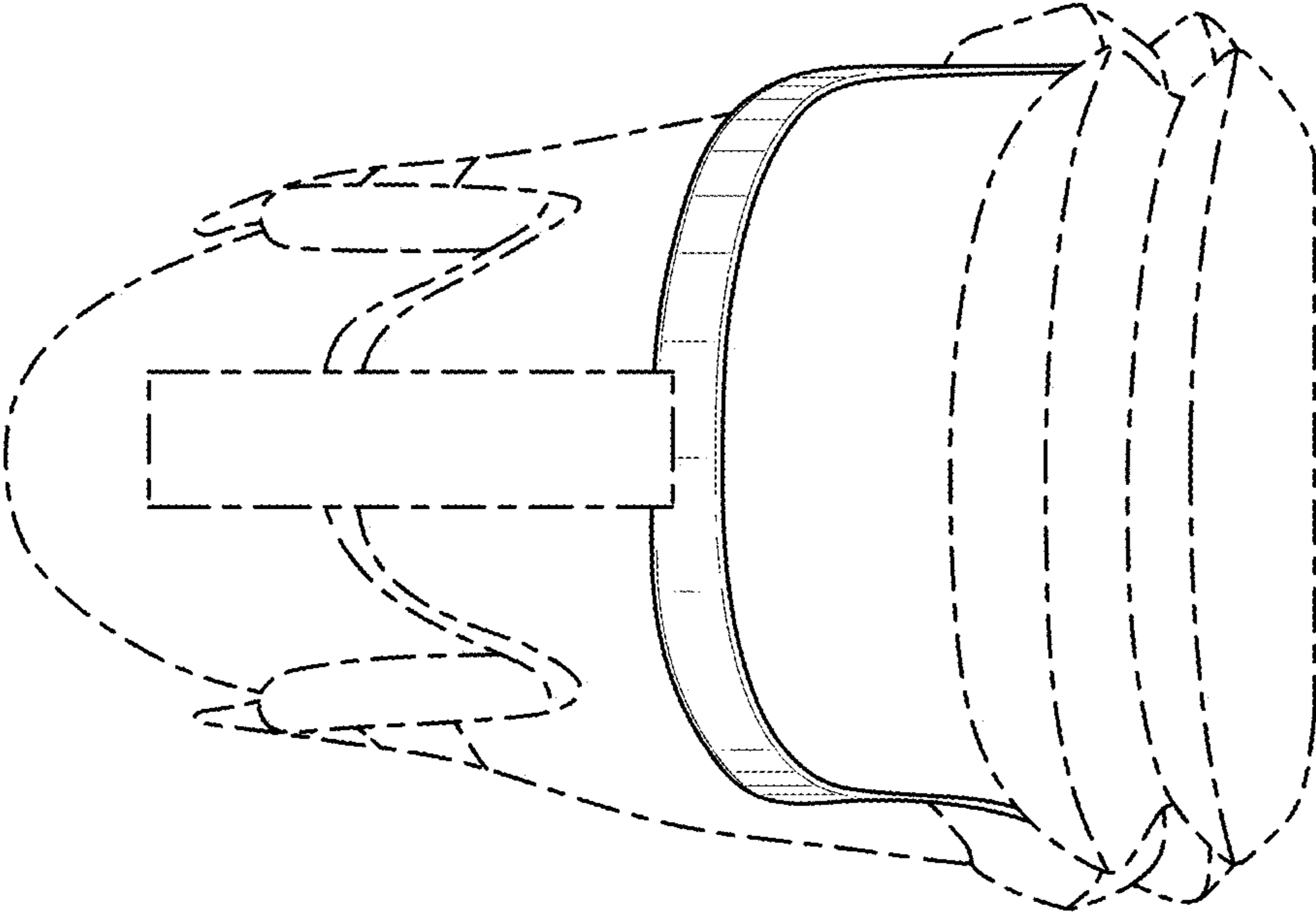


FIG. 3

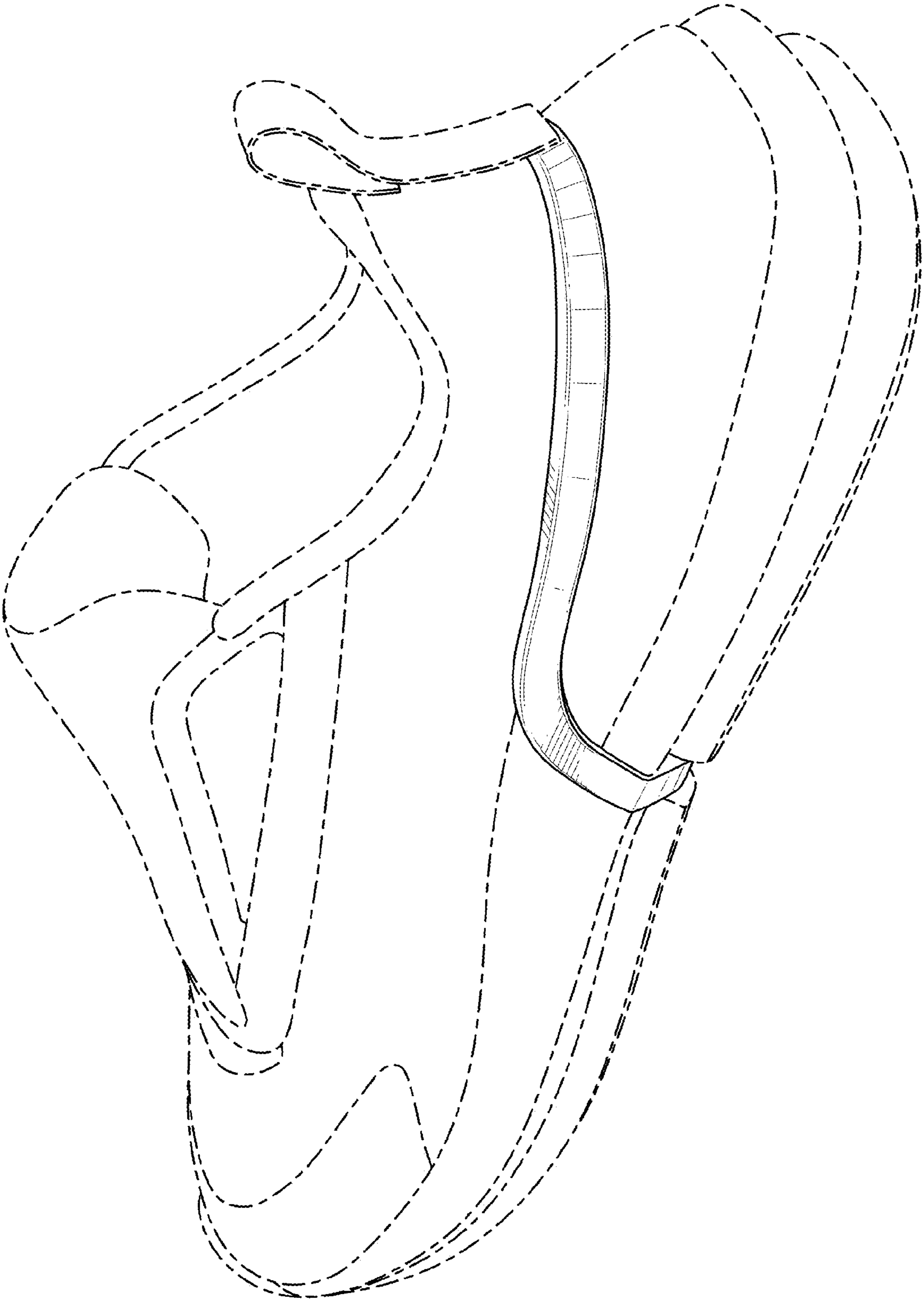


FIG. 4

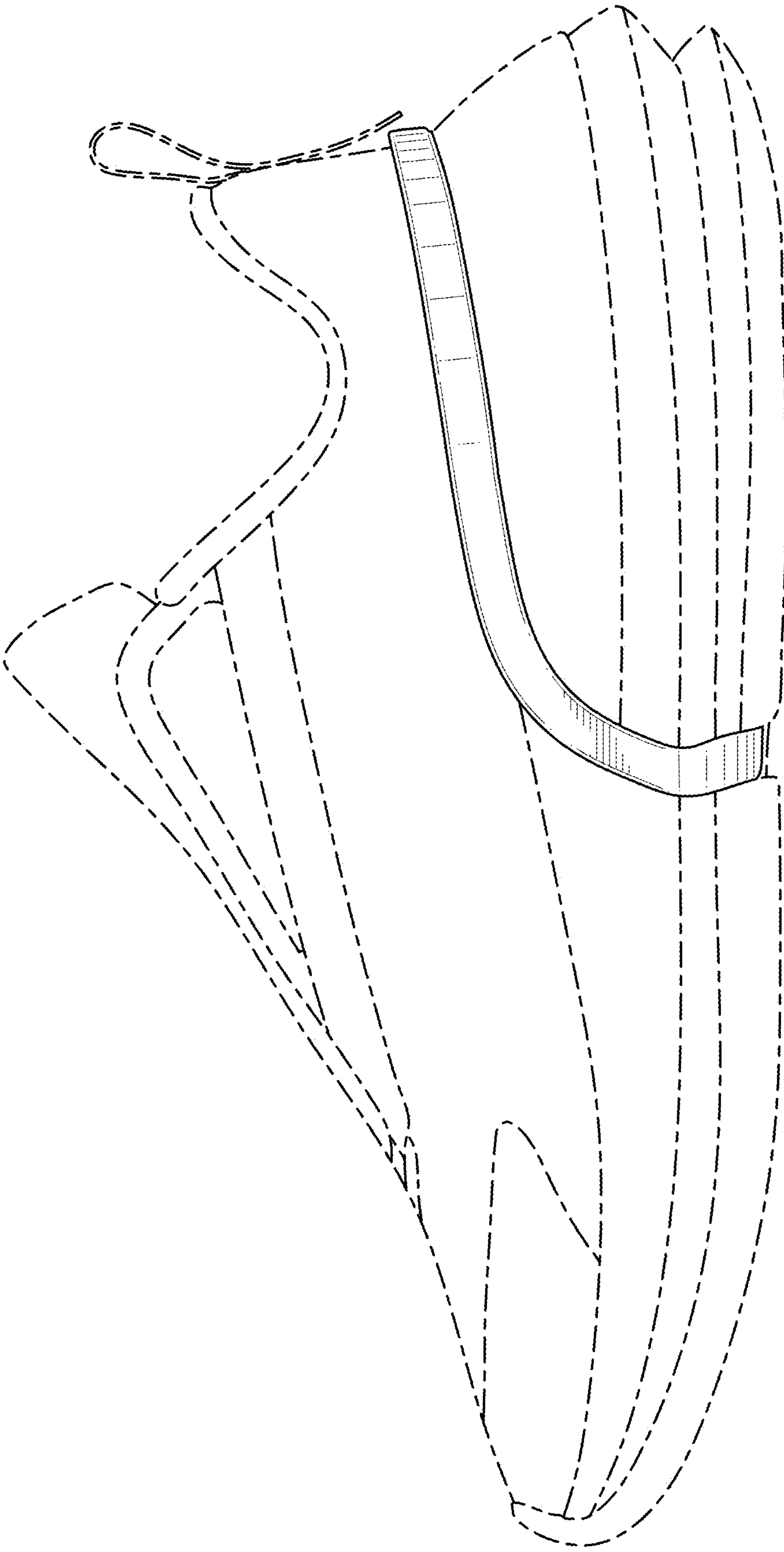


FIG. 5

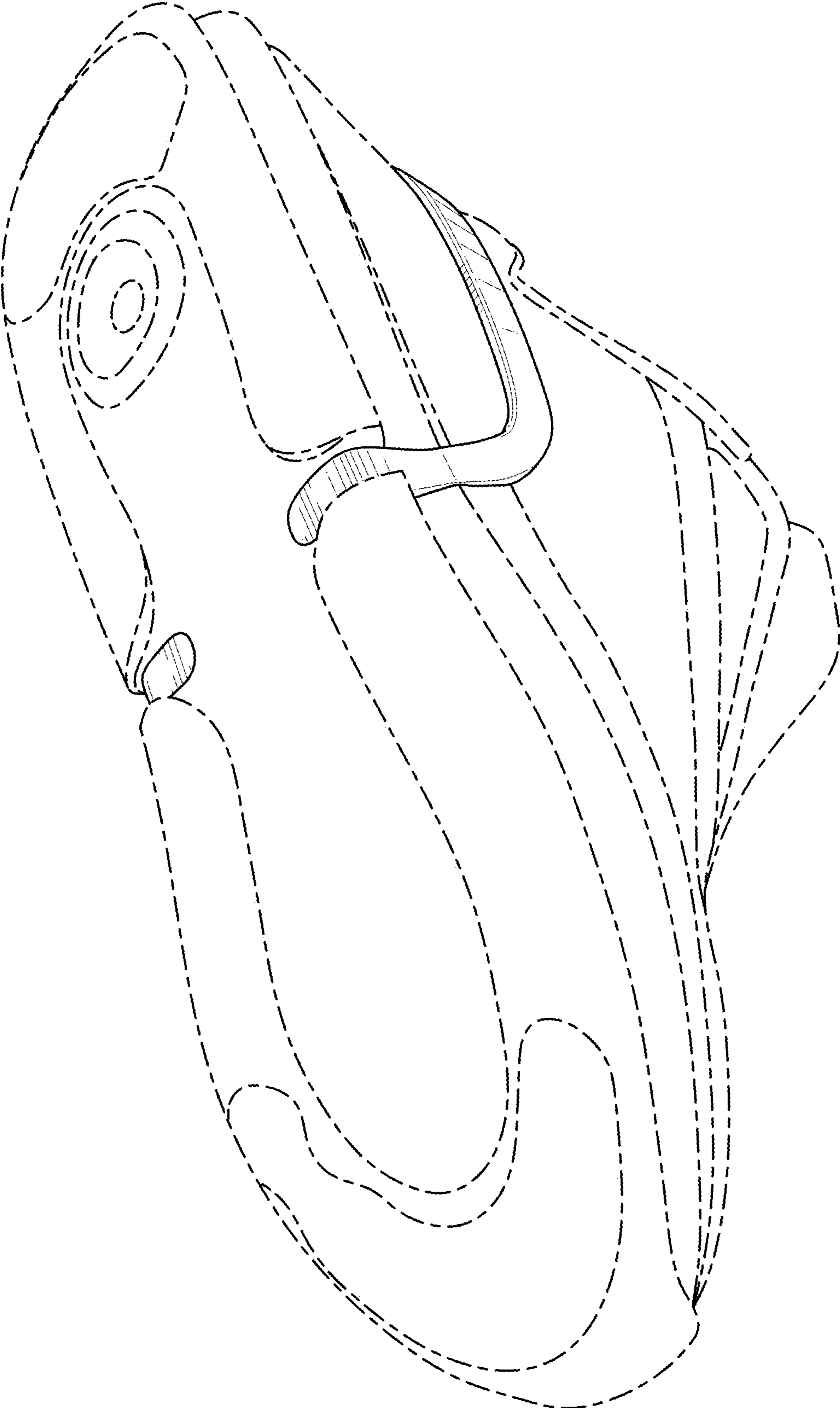


FIG. 6



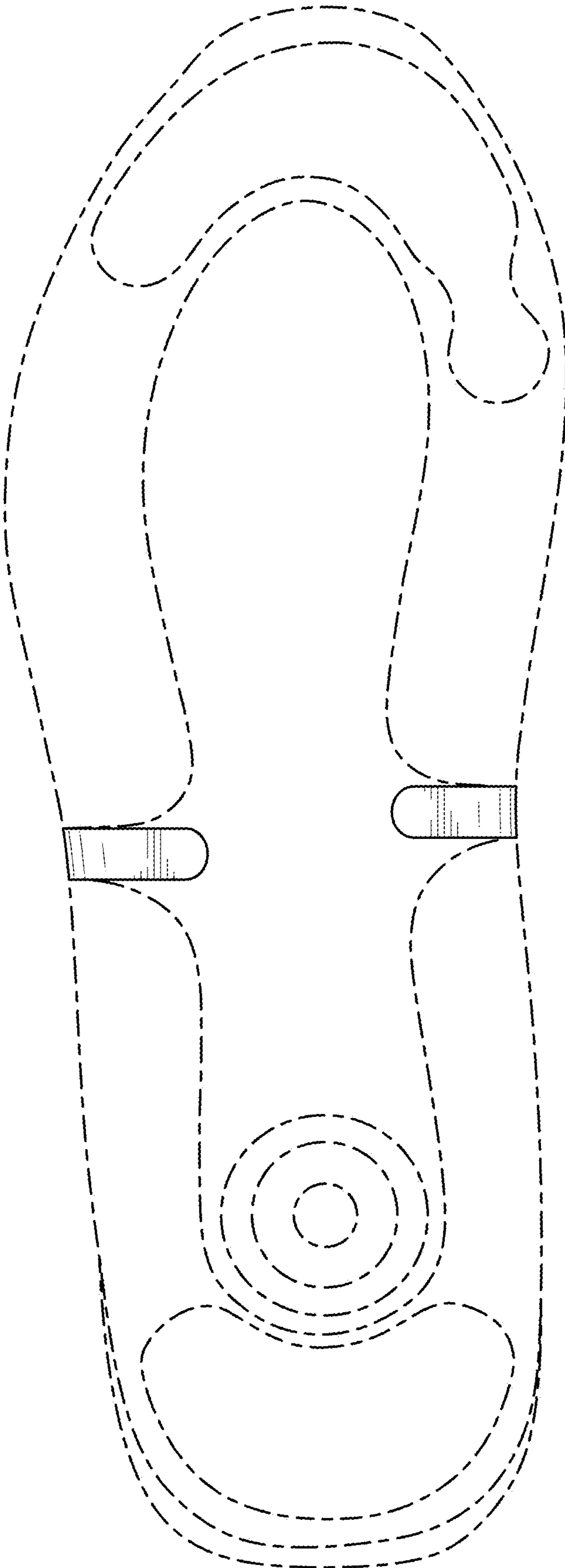


FIG. 7