



US00D922050S

(12) **United States Design Patent**  
**Tomczak et al.**

(10) **Patent No.:** **US D922,050 S**

(45) **Date of Patent:** **\*\* Jun. 15, 2021**

- (54) **SHOE**
- (71) Applicant: **adidas AG**, Herzogenaurach (DE)
- (72) Inventors: **Klaus Tomczak**, Erlangen (DE);  
**Matthias Etzold**, Herzogenaurach (DE)
- (73) Assignee: **adidas AG**, Herzogenaurach (DE)
- (\*\*) Term: **15 Years**

- D411,244 S \* 6/1999 Robinson ..... D2/951
- D474,879 S \* 5/2003 Nason ..... D2/954
- 6,948,264 B1 \* 9/2005 Lyden ..... A43B 5/02  
36/134
- D561,987 S \* 2/2008 Gerber ..... D2/906
- D680,722 S \* 4/2013 Link ..... D2/951
- D688,037 S \* 8/2013 Dekovic ..... A43B 5/02  
D2/946
- D707,434 S \* 6/2014 Seamarks ..... D2/962
- D778,556 S \* 2/2017 Lee ..... D2/954
- D852,480 S \* 7/2019 Kaiserswerth ..... A43B 5/00  
D2/954

(21) Appl. No.: **29/681,141**

(22) Filed: **Feb. 22, 2019**

(30) **Foreign Application Priority Data**

- Aug. 24, 2018 (EM) ..... 005620218-0001
- Aug. 24, 2018 (EM) ..... 005620218-0002
- Aug. 24, 2018 (EM) ..... 005620218-0003
- Aug. 24, 2018 (EM) ..... 005620218-0004
- Aug. 24, 2018 (EM) ..... 005620218-0005

(51) **LOC (13) Cl.** ..... **02-04**

(52) **U.S. Cl.**  
USPC ..... **D2/962**

(58) **Field of Classification Search**  
USPC ..... D2/902, 903, 905, 907, 943, 945, 947,  
D2/951, 953, 954, 955, 956, 957, 958,  
D2/959, 960, 961, 962  
CPC ..... A43B 1/00; A43B 13/00  
See application file for complete search history.

(56) **References Cited**

**U.S. PATENT DOCUMENTS**

- D29,692 S \* 11/1898 Haskell ..... D2/961
- 4,454,662 A \* 6/1984 Stubblefield ..... A43B 5/00  
36/102

\* cited by examiner

*Primary Examiner* — Kevin K Rudzinski

*Assistant Examiner* — Amber J Rabie

(74) *Attorney, Agent, or Firm* — Sterne, Kessler,  
Goldstein & Fox P.L.L.C.

(57) **CLAIM**

The ornamental design for a shoe, as shown and described.

**DESCRIPTION**

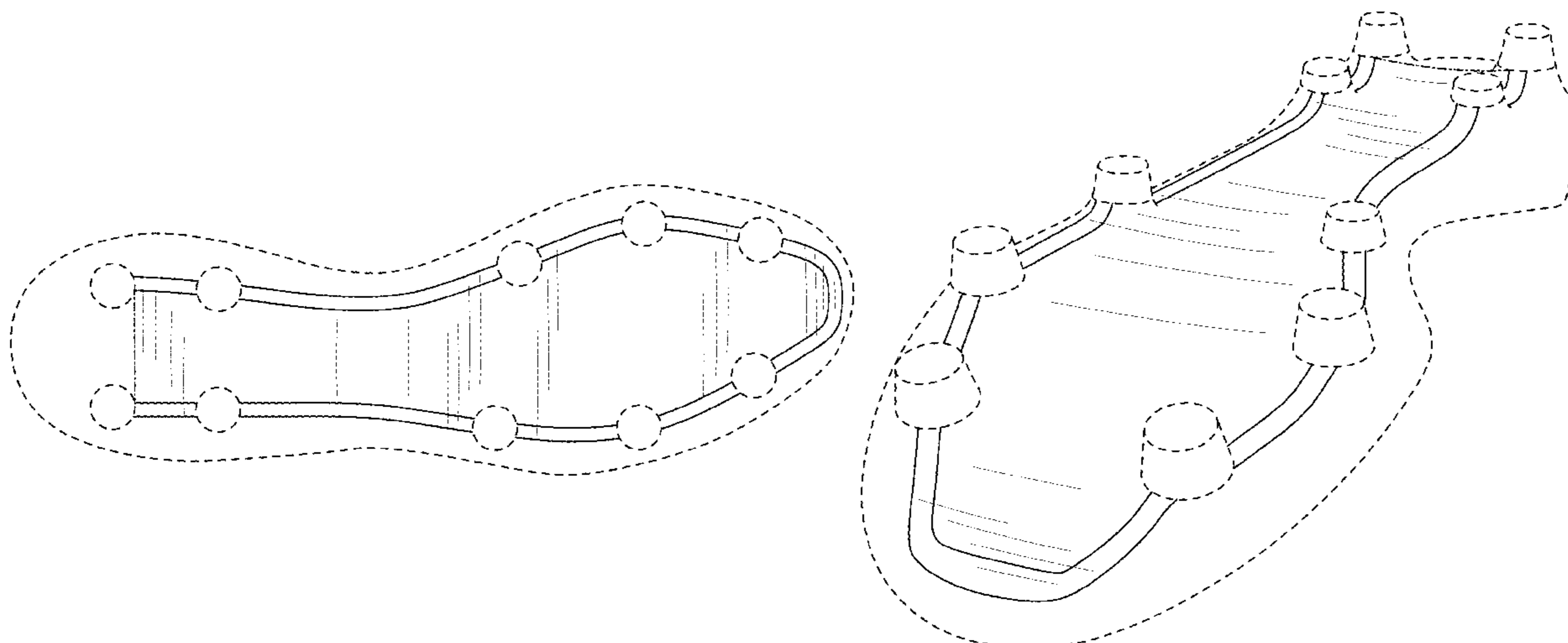
FIG. 1 is a bottom view of a shoe showing the claimed design; and,

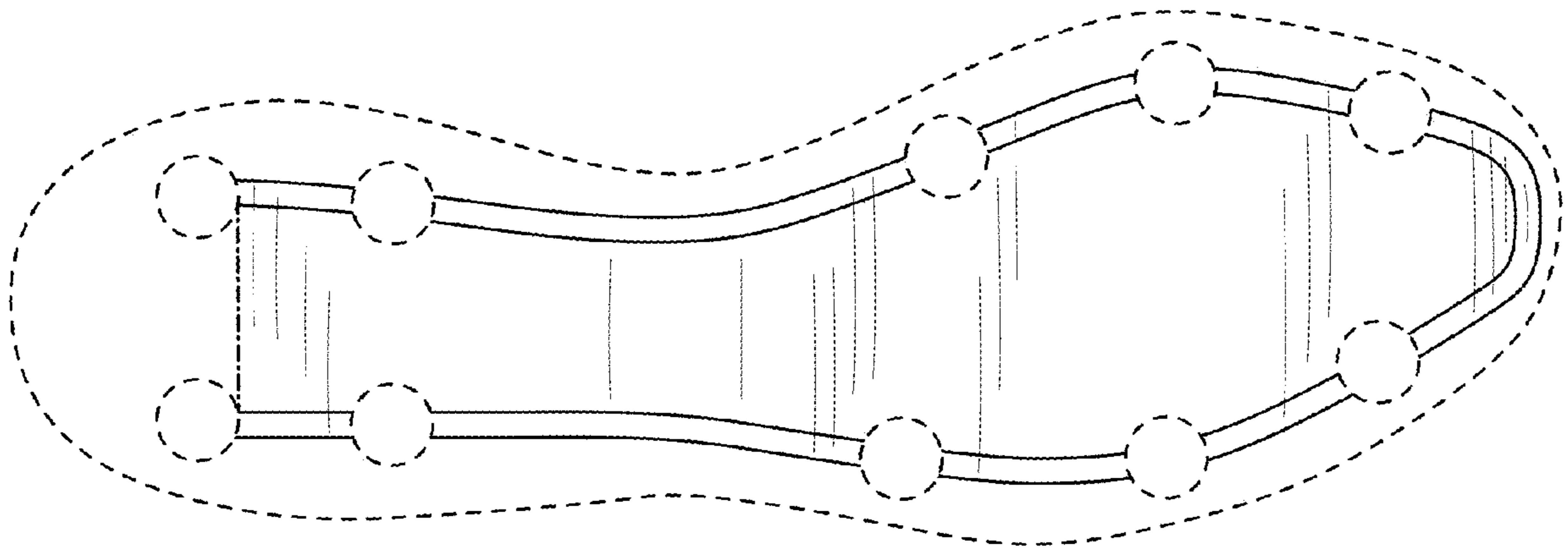
FIG. 2 is a bottom front perspective view thereof.

The dashed broken lines in the figures show portions of the shoe that form no part of the claimed design.

The dot-dash broken lines in the figures show boundaries that form no part of the claimed design.

**1 Claim, 2 Drawing Sheets**





**FIG. 1**

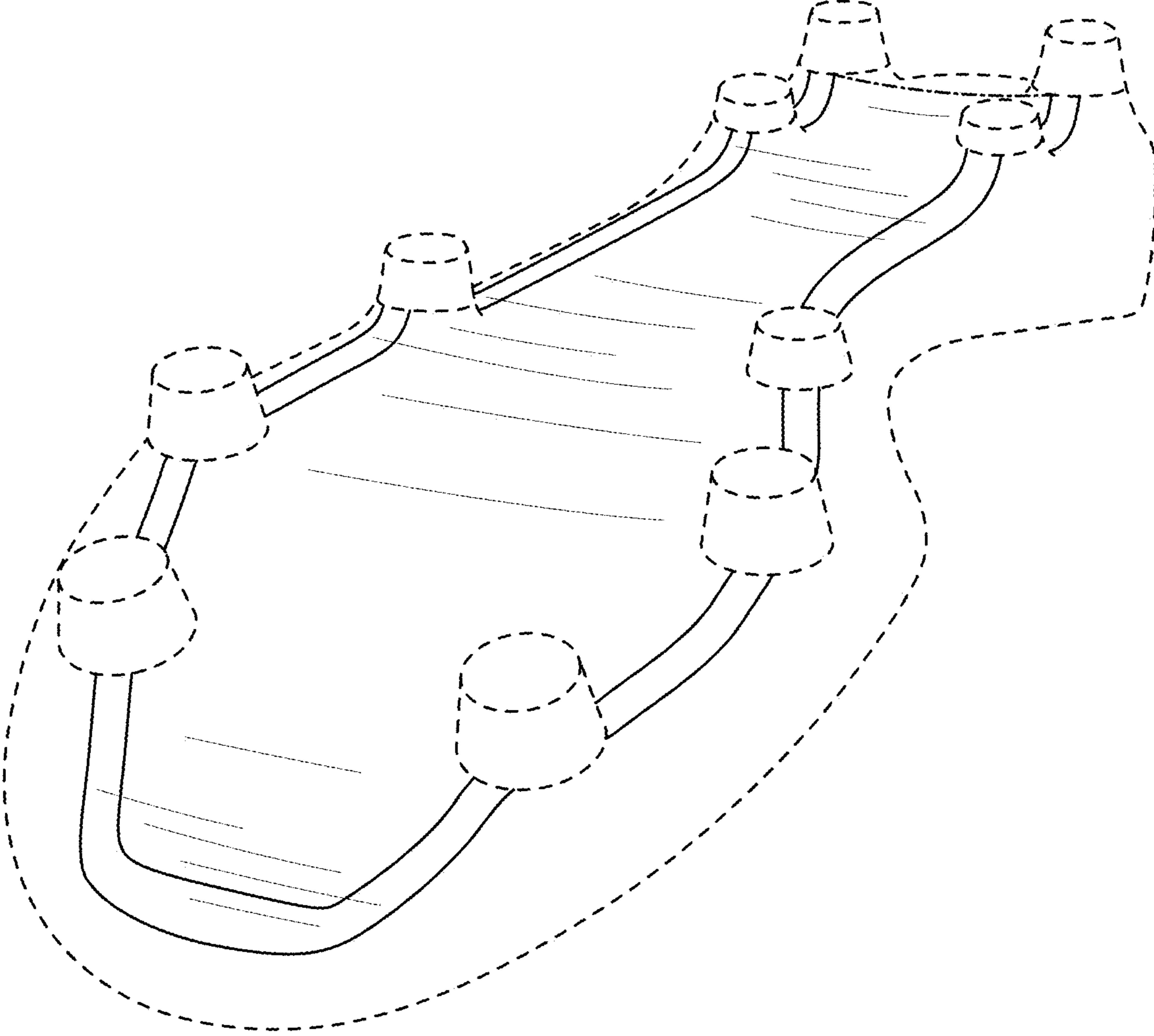


FIG. 2