



US00D922038S

(12) **United States Design Patent**
Weems

(10) **Patent No.:** **US D922,038 S**
(45) **Date of Patent:** **** Jun. 15, 2021**

- (54) **HAT LINER**
- (71) Applicant: **Melvin Weems**, Red Oak, GA (US)
- (72) Inventor: **Melvin Weems**, Red Oak, GA (US)
- (**) Term: **15 Years**
- (21) Appl. No.: **29/710,586**
- (22) Filed: **Oct. 24, 2019**
- (51) **LOC (13) Cl.** **02-03**
- (52) **U.S. Cl.**
USPC **D2/894**
- (58) **Field of Classification Search**
USPC D2/865, 866, 869, 870, 872, 873, 876,
D2/877, 878, 879, 880, 881, 882, 883,
D2/884, 886, 891, 892, 893, 894, 895;
D29/102, 106, 109, 110, 122
CPC A42B 1/00; A42B 1/002; A42B 1/008;
A42B 1/062; A42B 1/069; A42B 1/08;
A42B 1/20; A42B 1/208; A42B 1/247;
A42B 1/248; A42B 3/00; A42B 3/04;
A42B 3/06; A42B 3/062; A42B 3/10;
A42C 5/00; A42C 5/02; A42C 5/04
See application file for complete search history.

5,025,504 A	6/1991	Benston et al.	
5,566,395 A	10/1996	Nebeker	
5,630,230 A	5/1997	Fujino	
5,692,244 A	12/1997	Johnson	
5,915,534 A	6/1999	May	
6,112,332 A	9/2000	McCormick	
7,043,761 B2	5/2006	Epling	
D564,134 S *	3/2008	Brundage	D29/102
D625,905 S *	10/2010	Koontz	D2/877
8,108,944 B1 *	2/2012	Gilson, Sr.	A42B 1/247 2/12
8,287,045 B1 *	10/2012	Donohue	B60N 2/2812 297/393
8,794,242 B1 *	8/2014	Kroening	A61F 9/04 128/857

(Continued)

OTHER PUBLICATIONS

Single Layer With My Hot Head Wording, [online]; [Internet publication date unknown]; [retrieved from the Internet on Apr. 6, 2021]; URL: <https://myhothead.com/shop>. (2 pgs). (Year: 2021).*

Primary Examiner — Jasmine Mlinarcik

(57) **CLAIM**

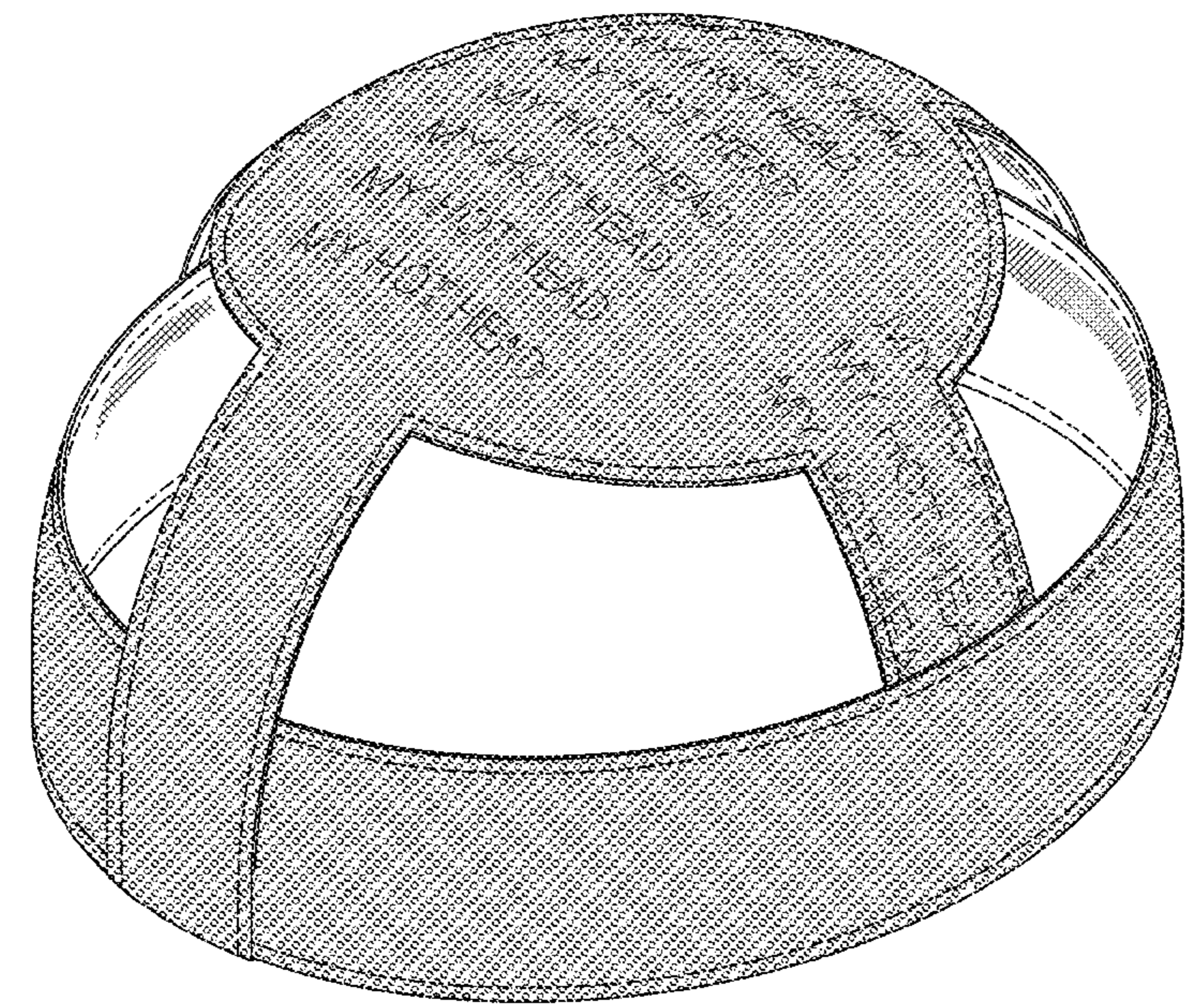
The ornamental design for a hat liner, as shown and described.

DESCRIPTION

FIG. 1 is a front view of a hat liner showing my new design; FIG. 2 is a rear view of the hat liner; FIG. 3 is a right side view of the hat liner; FIG. 4 is a left side view of the hat liner; FIG. 5 is a top view of the hat liner; FIG. 6 is a bottom view of the hat liner; and, FIG. 7 is a top front side perspective view of the hat liner. Broken lines within the drawing figures are illustrative of stitching forming part of the claimed design.

1 Claim, 7 Drawing Sheets

- (56) **References Cited**
U.S. PATENT DOCUMENTS
- 1,590,409 A * 6/1926 Bender A61F 9/045
2/209.5
- D70,993 S * 8/1926 Sutton D2/876
- D77,666 S * 2/1929 Bender D2/876
- 1,769,761 A * 7/1930 Sutton A42B 1/06
2/181
- D92,566 S * 6/1934 Abraham 29/112
- D250,676 S * 1/1979 McKinsey, Jr. D2/876
- 4,131,953 A * 1/1979 Kimotsuki A42C 5/04
2/171.1
- D317,523 S 6/1991 Smith



(56)

References Cited

U.S. PATENT DOCUMENTS

2008/0010721 A1 1/2008 Campbell
2020/0046053 A1* 2/2020 Weems A42C 5/02

* cited by examiner

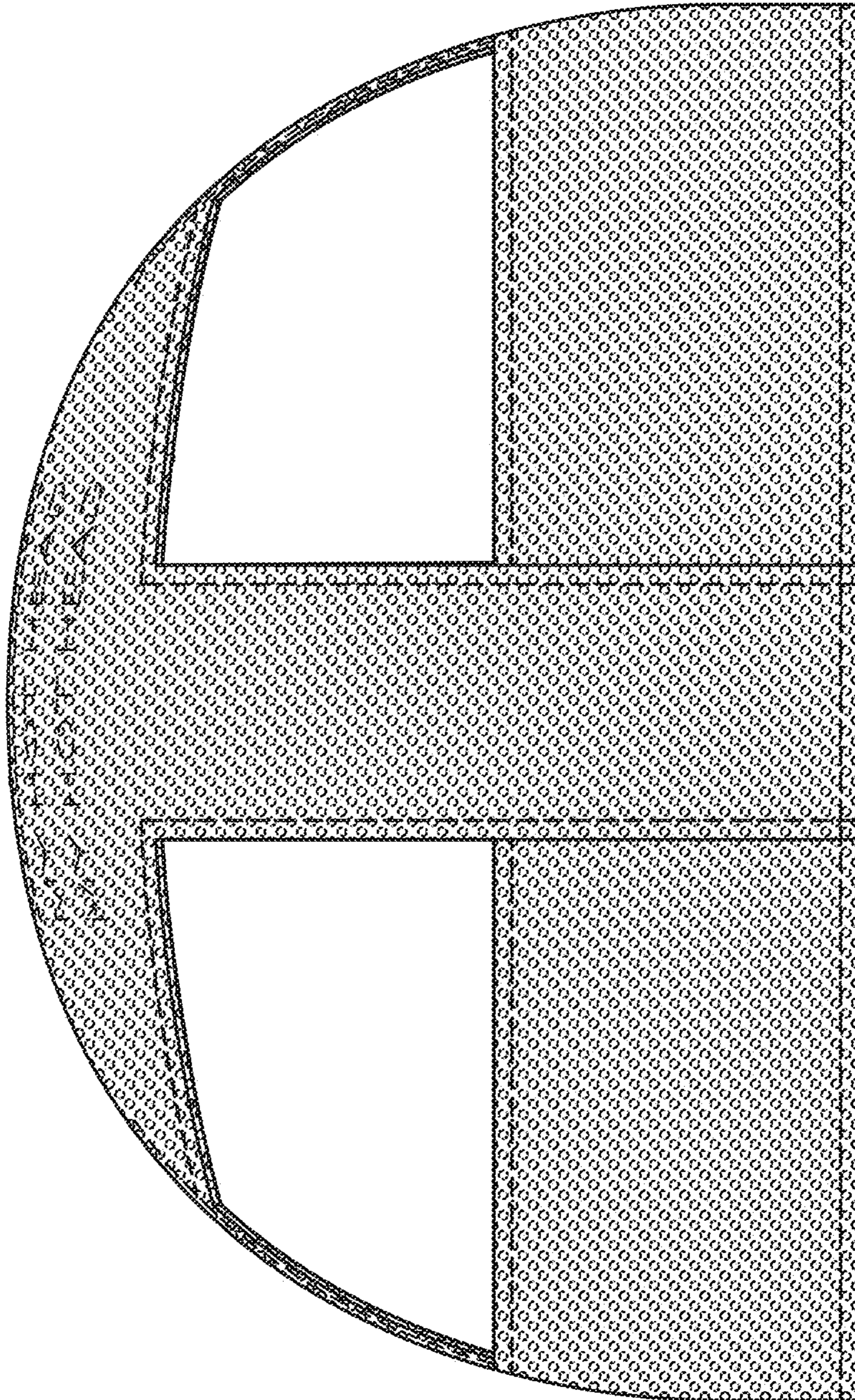


FIG. 1

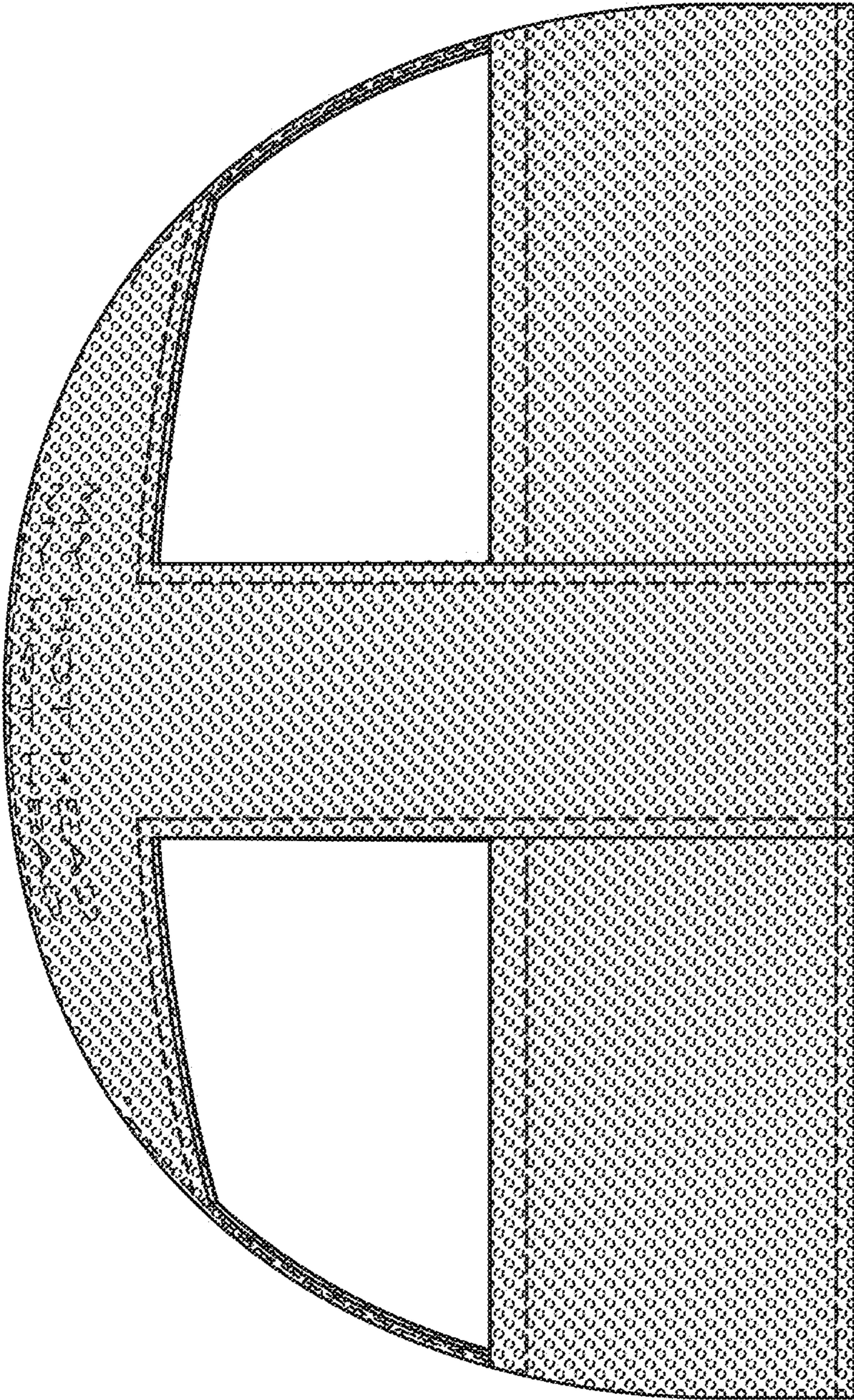


FIG. 2

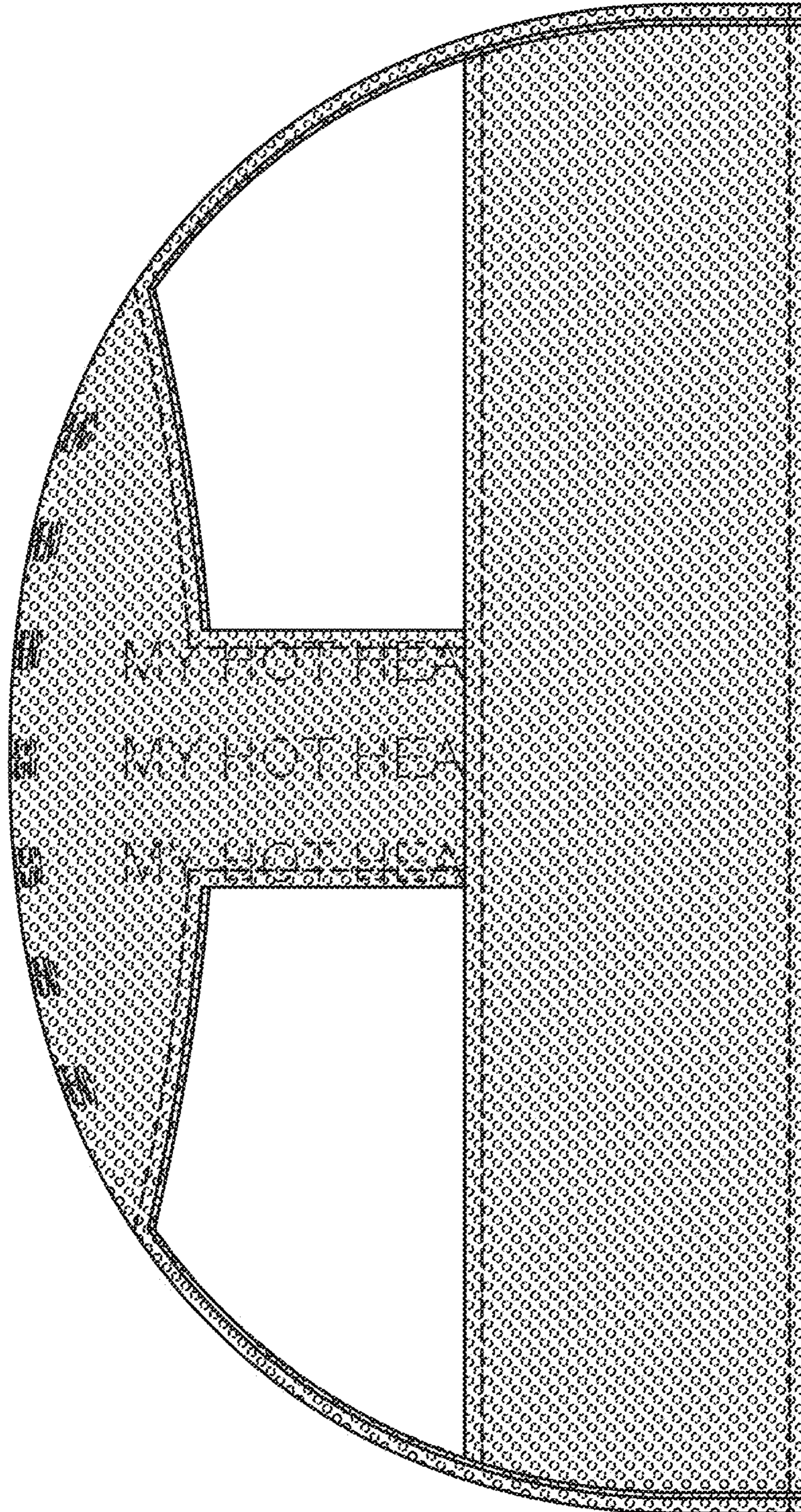


FIG. 3

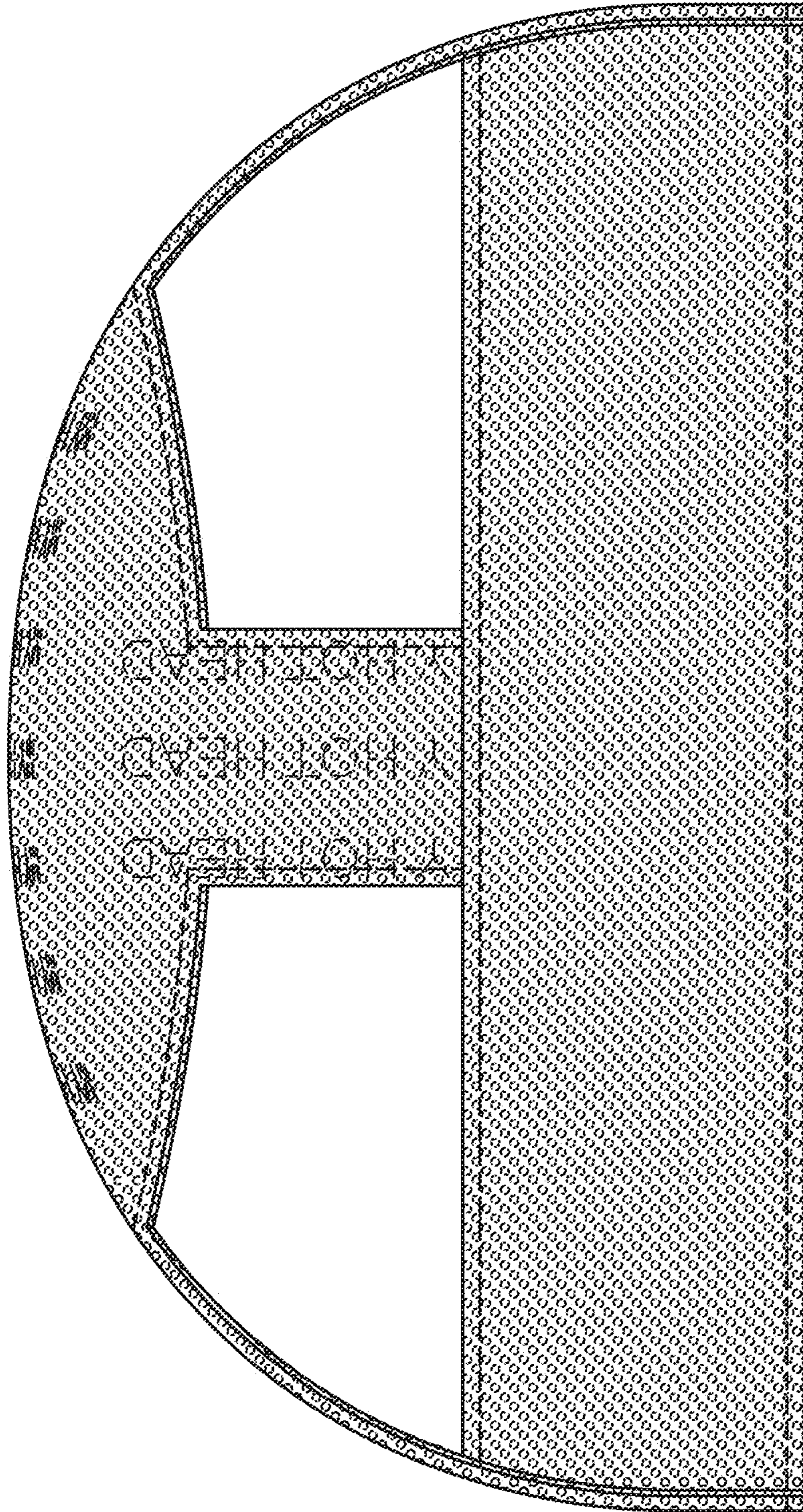


FIG. 4

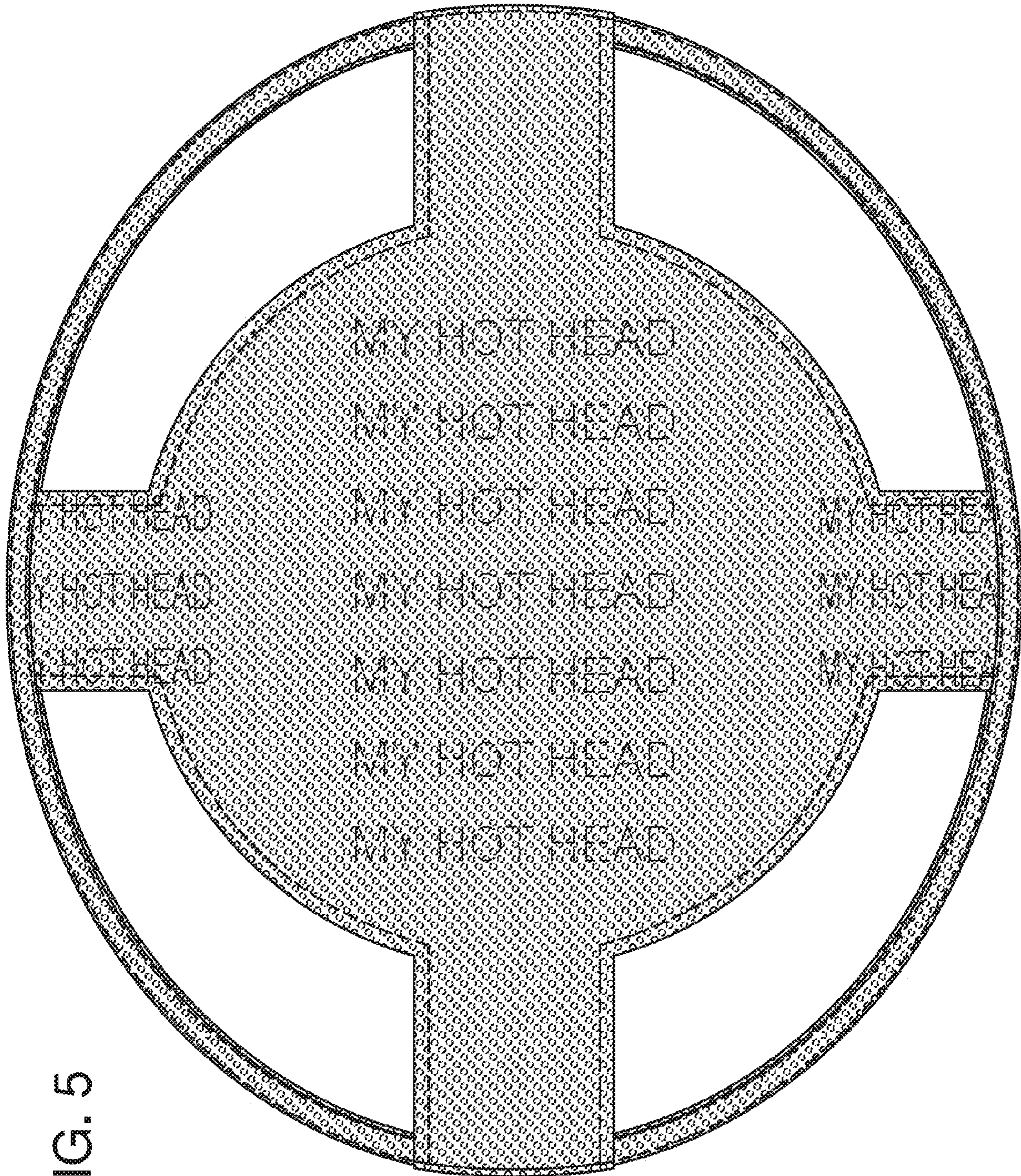


FIG. 5

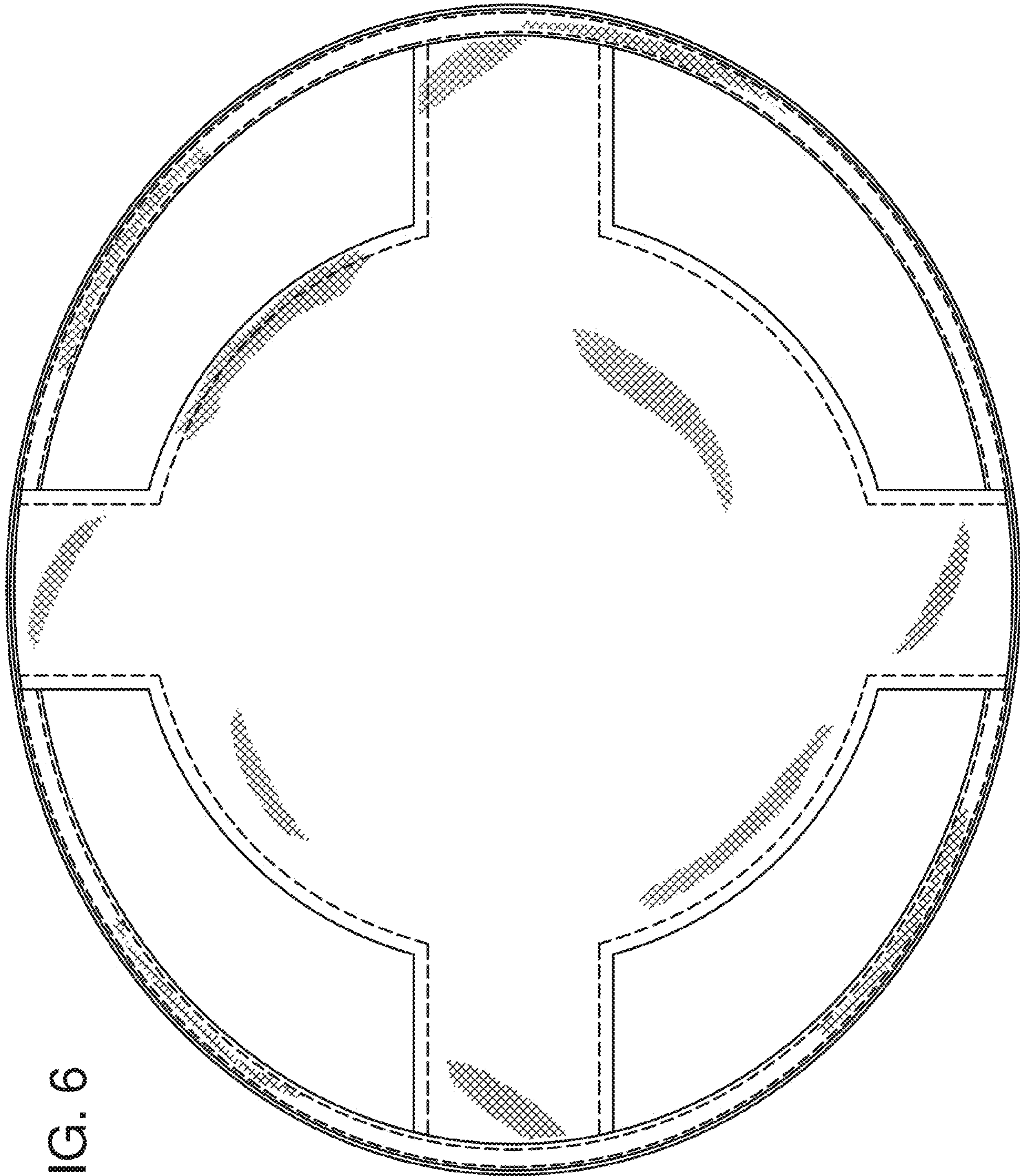


FIG. 6

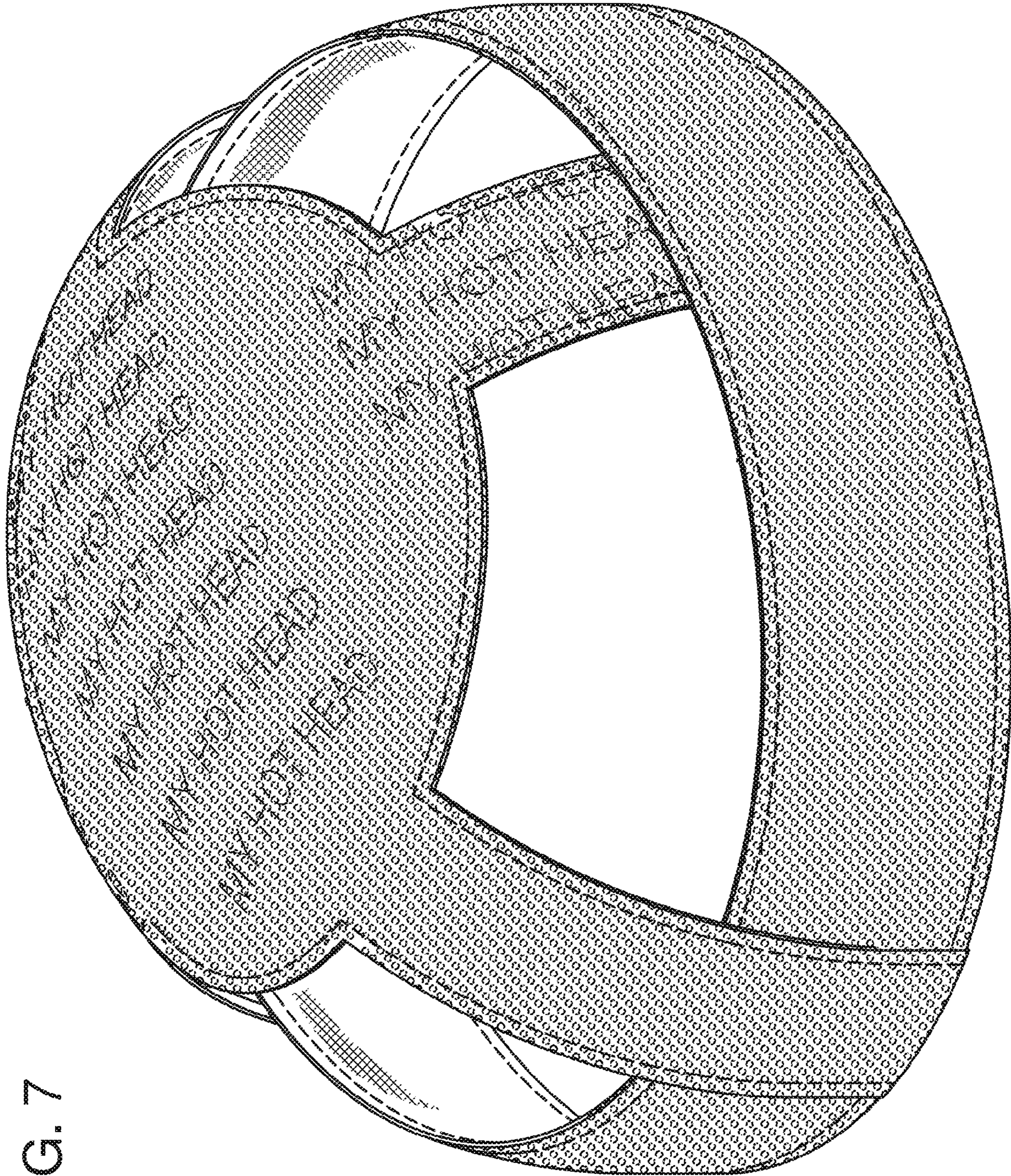


FIG. 7