



US00D922035S

(12) **United States Design Patent**  
**Stoldt**

(10) **Patent No.:** **US D922,035 S**  
(45) **Date of Patent:** **\*\* Jun. 15, 2021**

(54) **GARMENT FOR APPLYING TOPICAL MEDICATION TO AN UPPER BODY**

(71) Applicant: **Juventas Innovations, LLC**,  
Indialantic, FL (US)

(72) Inventor: **Jarrold Stoldt**, Indialantic, FL (US)

(73) Assignee: **Juventas Innovations, LLC**,  
Melbourne, FL (US)

(\*\*) Term: **15 Years**

(21) Appl. No.: **29/674,430**

(22) Filed: **Dec. 21, 2018**

**Related U.S. Application Data**

(62) Division of application No. 29/592,083, filed on Jan. 26, 2017, now Pat. No. Des. 868,423.

(51) **LOC (13) Cl.** ..... **02-02**

(52) **U.S. Cl.**  
USPC ..... **D2/858**

(58) **Field of Classification Search**  
USPC ..... D2/613, 610, 858, 840, 720; D24/190,  
D24/188; D29/120.1

(Continued)

(56) **References Cited**

**U.S. PATENT DOCUMENTS**

1,489,046 A 4/1924 Thompson  
2,326,422 A \* 8/1943 Weisberger ..... A41D 13/08  
2/59

(Continued)

**FOREIGN PATENT DOCUMENTS**

CN 204104915 \* 1/2015  
JP 2006052508 A 2/2005

**OTHER PUBLICATIONS**

Farrowwrap OTS Arm Sleeve posted to brightlife.com. Available date: Mar. 2, 2015 [site visited Sep. 28, 2020] Available: <https://

www.brightlifedirect.com/products/farrow-wrap-ots-arm-sleeve> (Year: 2015).\*

(Continued)

*Primary Examiner* — Kevin K Rudzinski  
(74) *Attorney, Agent, or Firm* — Kelly G. Swartz;  
Widerman Malek, PL

(57) **CLAIM**

The ornamental design for a garment for applying topical medication to an upper body, as shown and described.

**DESCRIPTION**

FIG. 1 is a perspective view of a garment for applying topical medication to an upper body according to the present invention.

FIG. 2 is a front elevation view of the garment for applying topical medication to an upper body illustrated in FIG. 1 in an open configuration.

FIG. 3 is a rear elevation view of the garment for applying topical medication to an upper body illustrated in FIG. 1 in an open configuration.

FIG. 4 is a front elevation view of the garment for applying topical medication to an upper body illustrated in FIG. 1 in a closed configuration.

FIG. 5 is a rear elevation view of the garment for applying topical medication to an upper body illustrated in FIG. 1 in a closed configuration.

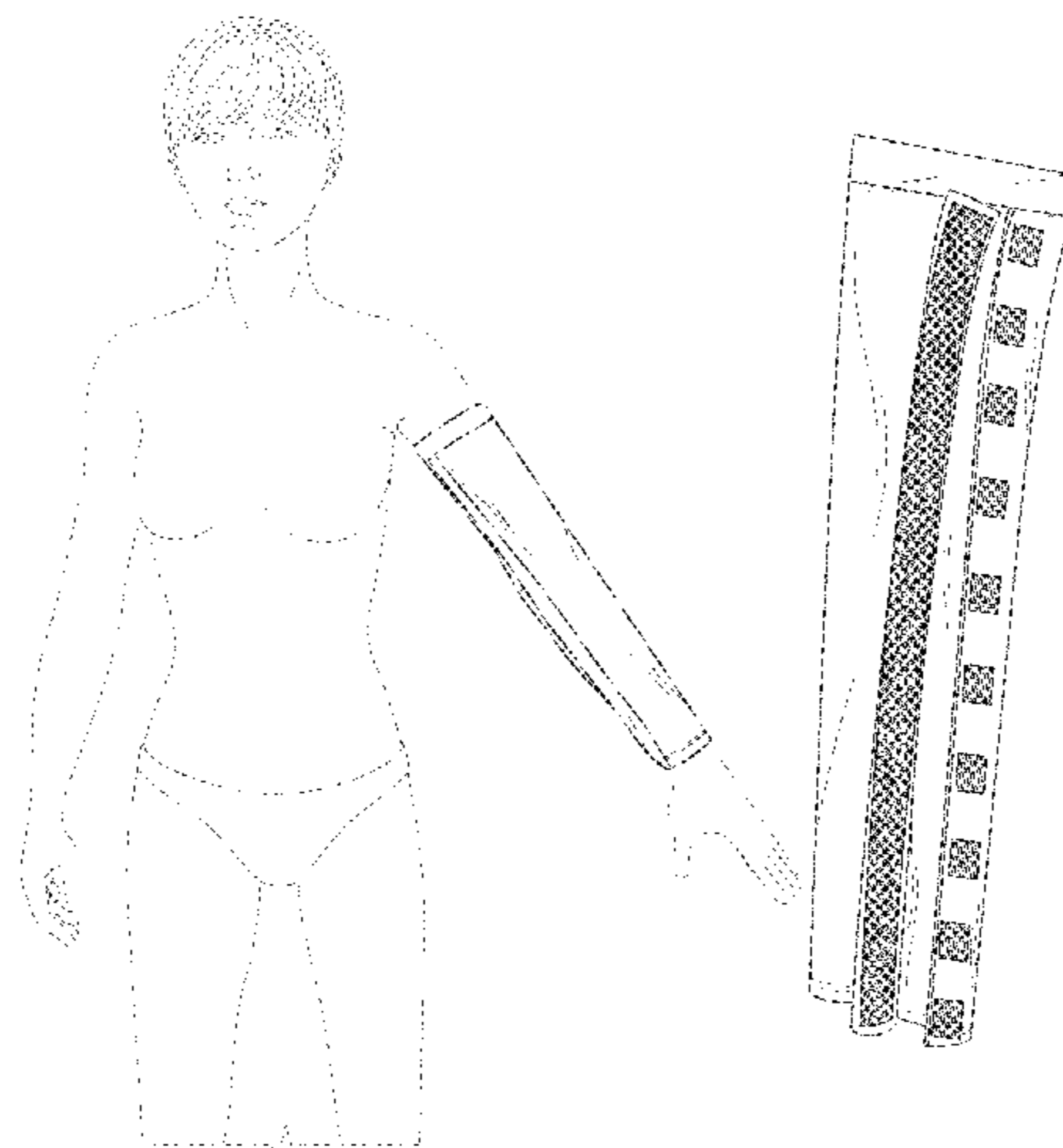
FIG. 6 is a first side elevation view of the garment for applying topical medication to an upper body illustrated in FIG. 1 in a closed configuration.

FIG. 7 is a top plan view of the garment for applying topical medication to an upper body illustrated in FIG. 1 in a closed configuration.

FIG. 8 is a bottom plan view of the garment for applying topical medication to an upper body illustrated in FIG. 1 in a closed configuration; and,

FIG. 9 is a second side elevation view of the garment for applying topical medication to an upper body illustrated in FIG. 1 in a closed configuration.

(Continued)



The broken lines depict environmental elements that form no part of the claimed design. The broken lines showing stitching form part of the claimed design.

**1 Claim, 4 Drawing Sheets**

**(58) Field of Classification Search**

CPC ..... A41D 13/08  
See application file for complete search history.

**(56) References Cited**

**U.S. PATENT DOCUMENTS**

2,374,643 A 5/1945 Boettcher  
2,656,763 A \* 10/1953 Frost ..... G08B 5/004  
359/519  
2,904,792 A \* 9/1959 Elliott ..... A41D 13/08  
2/16  
D192,135 S 1/1962 Tiso  
3,153,413 A \* 10/1964 Gottfried ..... A61F 13/10  
602/60  
3,276,036 A 10/1966 Cater  
3,657,741 A \* 4/1972 Blanco ..... A41D 13/08  
2/59  
D233,634 S 11/1974 Snider  
4,422,186 A 12/1983 Loney  
4,476,857 A \* 10/1984 Levine ..... A61F 13/108  
473/214  
D279,040 S 6/1985 Horox  
4,532,655 A 8/1985 Bowditch  
4,570,268 A \* 2/1986 Freeman ..... A41D 13/1236  
2/114  
D299,562 S \* 1/1989 Lee ..... 2/16  
4,843,645 A \* 7/1989 White ..... A41D 13/08  
2/59  
4,964,173 A \* 10/1990 Gordon ..... A41D 13/1236  
2/114  
4,995,115 A 2/1991 Ellis  
5,070,541 A \* 12/1991 Goss ..... A41D 13/08  
2/16  
5,097,535 A \* 3/1992 Dye ..... A41D 10/00  
2/104  
D332,342 S \* 1/1993 Dye ..... D2/715  
D350,012 S 8/1994 Christy et al.  
D359,835 S \* 7/1995 Hadfield ..... D2/610  
D366,349 S \* 1/1996 Barney ..... D29/120.1  
5,553,323 A 9/1996 Chou et al.  
D374,970 S 10/1996 Jagger  
5,564,123 A \* 10/1996 Grassick ..... A41D 13/1245  
2/114  
D378,157 S 2/1997 Jagger  
D381,488 S 7/1997 Small  
5,642,525 A \* 7/1997 Ketola ..... A41D 13/08  
2/16  
D393,138 S \* 4/1998 Frey ..... D2/610  
5,887,279 A 3/1999 Elting et al.  
5,974,586 A \* 11/1999 Reinoso ..... A41D 13/08  
2/125  
5,991,923 A 11/1999 Maria  
D442,765 S \* 5/2001 Newman ..... D2/610  
6,254,554 B1 \* 7/2001 Turtzo ..... A61H 9/0078  
601/134  
6,508,776 B2 \* 1/2003 Chiang ..... A61F 5/0104  
602/5  
6,665,876 B1 \* 12/2003 Newman ..... A41D 13/08  
2/207  
D515,745 S \* 2/2006 Leyva ..... D29/120.1  
7,135,007 B2 \* 11/2006 Scott ..... A61F 13/085  
602/75  
D543,007 S 5/2007 Beckerman  
D548,892 S \* 8/2007 Wilson ..... D29/120.1

D551,351 S \* 9/2007 Silva ..... D24/190  
D560,041 S \* 1/2008 Cook ..... D29/120.1  
D560,879 S \* 2/2008 Hines ..... D2/840  
D563,627 S \* 3/2008 Warren ..... D2/720  
D565,279 S 4/2008 Farrell  
D571,079 S 6/2008 Gay  
D574,126 S 8/2008 McCray  
D579,178 S 10/2008 Snyder et al.  
D584,483 S 1/2009 Glynn  
D584,882 S \* 1/2009 Trouillot ..... D2/720  
7,596,814 B1 10/2009 Corhy et al.  
7,694,348 B1 \* 4/2010 Smith ..... A41D 13/08  
2/16  
D617,502 S \* 6/2010 Chalk ..... D29/120.1  
D632,874 S \* 2/2011 Stephanis ..... D2/858  
D634,900 S \* 3/2011 Eff ..... D29/120.1  
D635,335 S \* 4/2011 Eckman ..... D2/849  
D639,024 S \* 6/2011 Benderradji ..... D2/830  
D639,514 S \* 6/2011 Lewis ..... D29/120.1  
D640,014 S \* 6/2011 Opie ..... D29/120.1  
D640,420 S \* 6/2011 Miller ..... D29/120.1  
D649,293 S \* 11/2011 Lyons ..... D29/120.1  
D659,348 S \* 5/2012 Selle ..... D2/610  
D660,438 S \* 5/2012 Kennedy ..... D24/190  
D668,396 S \* 10/2012 Shamis ..... D29/120.1  
D668,820 S \* 10/2012 Shamis ..... D29/120.1  
D675,383 S \* 1/2013 Shamis ..... D29/120.1  
8,359,666 B2 1/2013 Appel et al.  
8,376,977 B2 \* 2/2013 Farrow ..... A61H 1/008  
602/60  
D722,743 S 2/2015 Nice  
D727,595 S 4/2015 Lawson et al.  
D731,754 S 6/2015 Graham et al.  
D759,351 S 6/2016 Hancock  
D774,280 S \* 12/2016 Hakeem ..... D2/731  
D785,190 S \* 4/2017 Bell ..... D24/190  
D856,633 S \* 8/2019 Morrison ..... D2/720  
D872,286 S \* 1/2020 Hoffman ..... D24/190  
2003/0126668 A1 7/2003 Scroggins  
2006/0053525 A1 \* 3/2006 Legard ..... A41D 13/1245  
2/114  
2006/0143779 A1 7/2006 Lee  
2015/0059048 A1 3/2015 Stanley et al.  
2015/0157069 A1 6/2015 Hieber et al.  
2015/0374048 A1 12/2015 Theodossiou  
2016/0128391 A1 \* 5/2016 Moore ..... A41D 13/1245  
2/128

**OTHER PUBLICATIONS**

Redline K9 Neoprene Arm Sleeve posted to amazon.com. Available date: Feb. 25, 2014 [site visited Sep. 28, 2020] Available: <[https://www.amazon.com/Redline-K9-Neoprene-Protection-Training/dp/B00IN\\_EBHDO/ref=sr\\_1\\_168?dchild=1&keywords=protective+arm+sleeve&qid=1601318863&sr=8-168](https://www.amazon.com/Redline-K9-Neoprene-Protection-Training/dp/B00IN_EBHDO/ref=sr_1_168?dchild=1&keywords=protective+arm+sleeve&qid=1601318863&sr=8-168)> (Year: 2014).\*

Wrap-E-Soothe Eczema Sleeves posted to amazon. Available date: May 28, 2017 [site visited Feb. 22, 2021] Available: <<https://www.amazon.sg/Wrap-Soothe-Eczema-Sleeves-Tencel/dp/B072PXYKXX>> (Year: 2017).\*

Farrowwrap OTS Arm Sleeve, by BrightLife Direct. Available date: Mar. 2, 2015 [site visited Feb. 22, 2021] Available: <<https://www.brightlifedirect.com/products/farrow-wrap-ots-arm-sleeve>> (Year: 2015).\*

Arm Compression Sleeve by Assistica, posted to amazon.com. Available date: Apr. 20, 2016 [site visited Feb. 22, 2021] Available: <<https://www.amazon.com/ASSISTICA%C2%AE-Compression-Mastectomy-Lymphedema-Swelling/dp/B018XXWB02?th=1>> (Year: 2016).\*

Japan Patent Office Notice of Reasons for Rejection dated Jan. 8, 2019; 1 page.

USPTO Non-Final Office action in related U.S. Appl. No. 29/592,083 dated Feb. 28, 2019; 29 pages.

\* cited by examiner

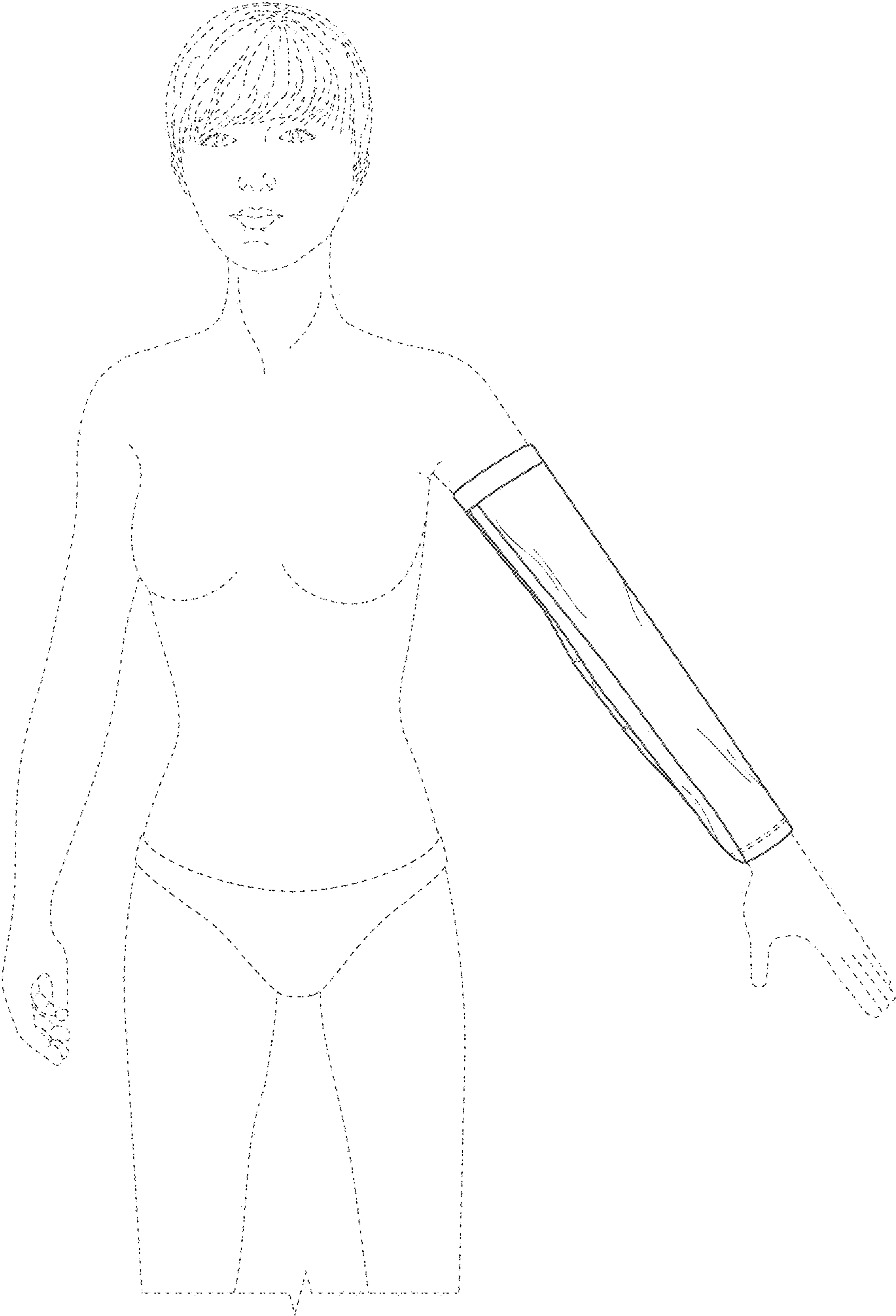


FIG. 1

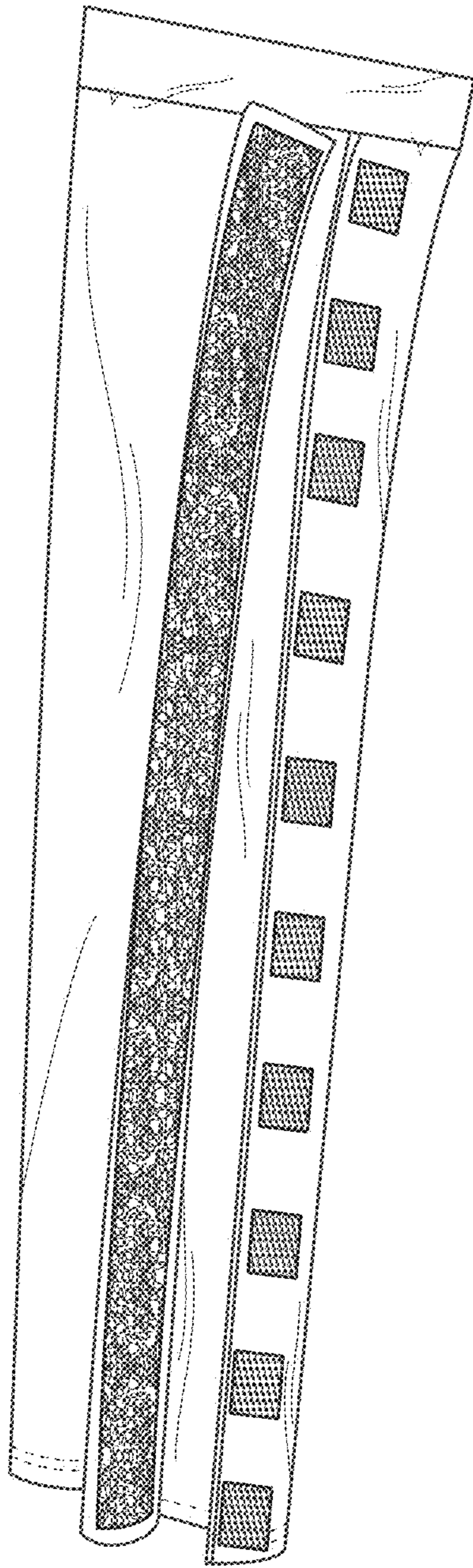


FIG. 2

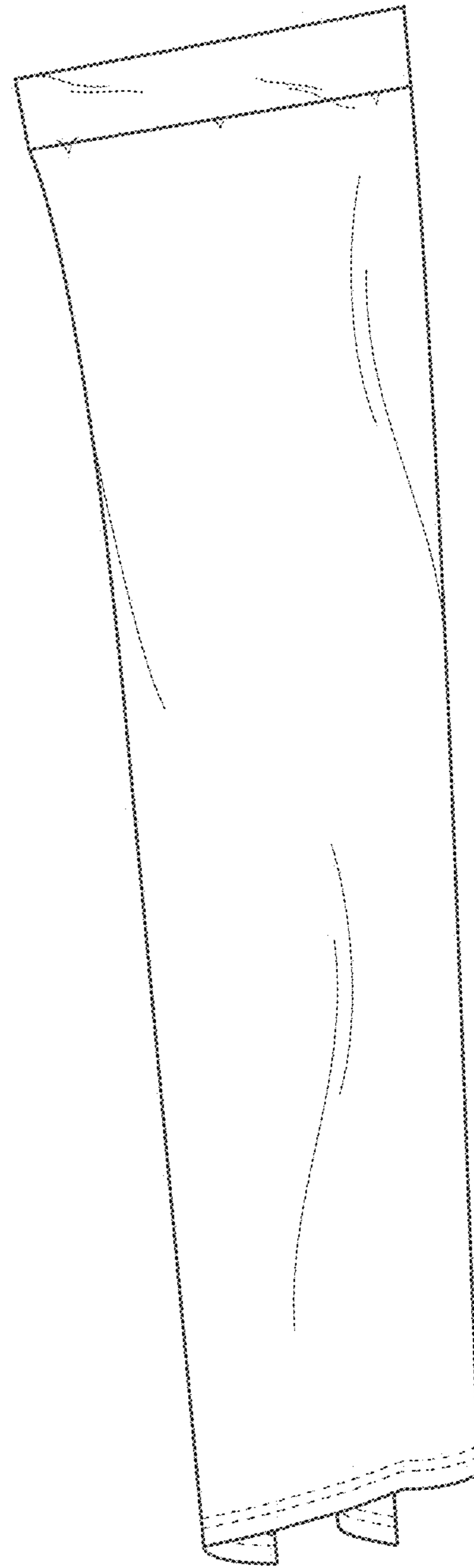


FIG. 3

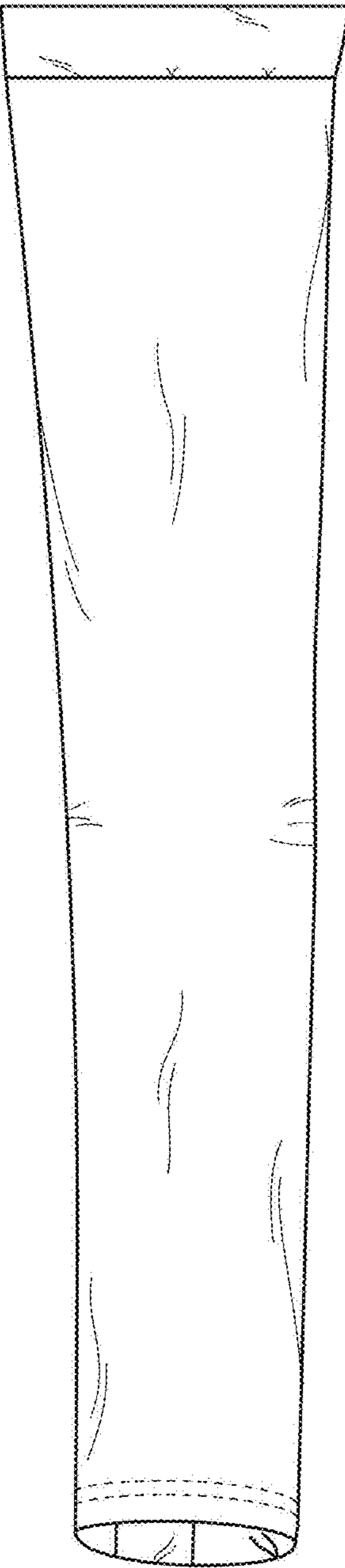


FIG. 4

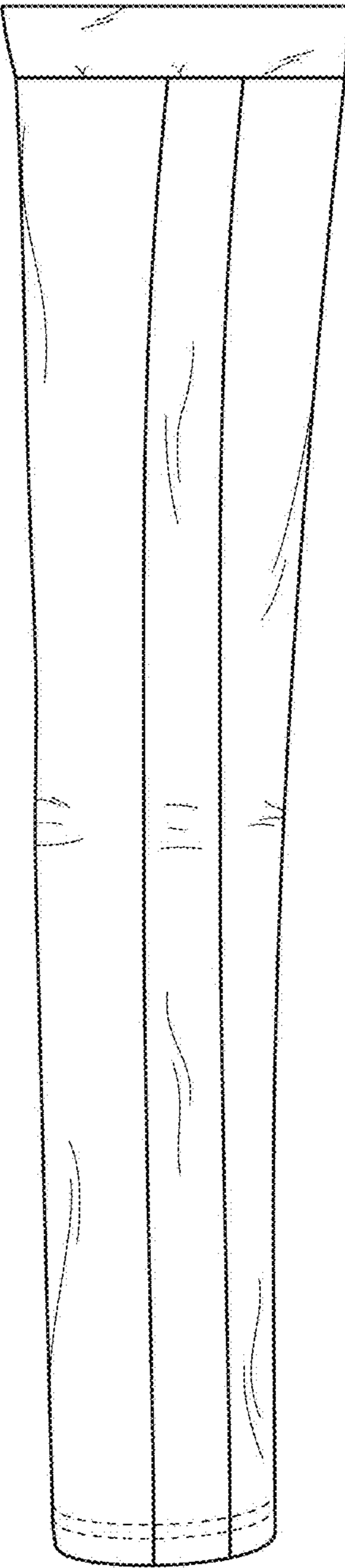


FIG. 5

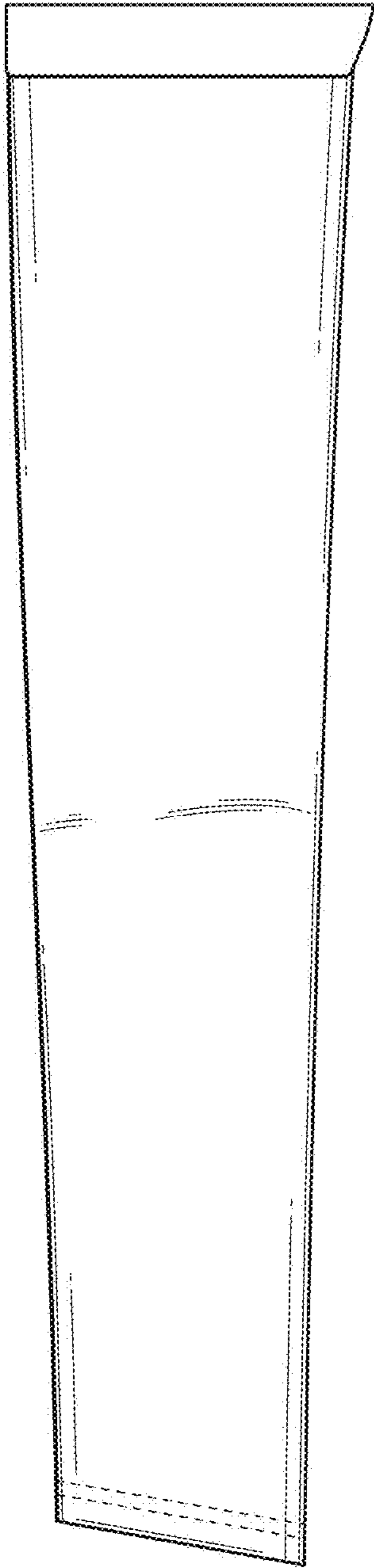


FIG. 6

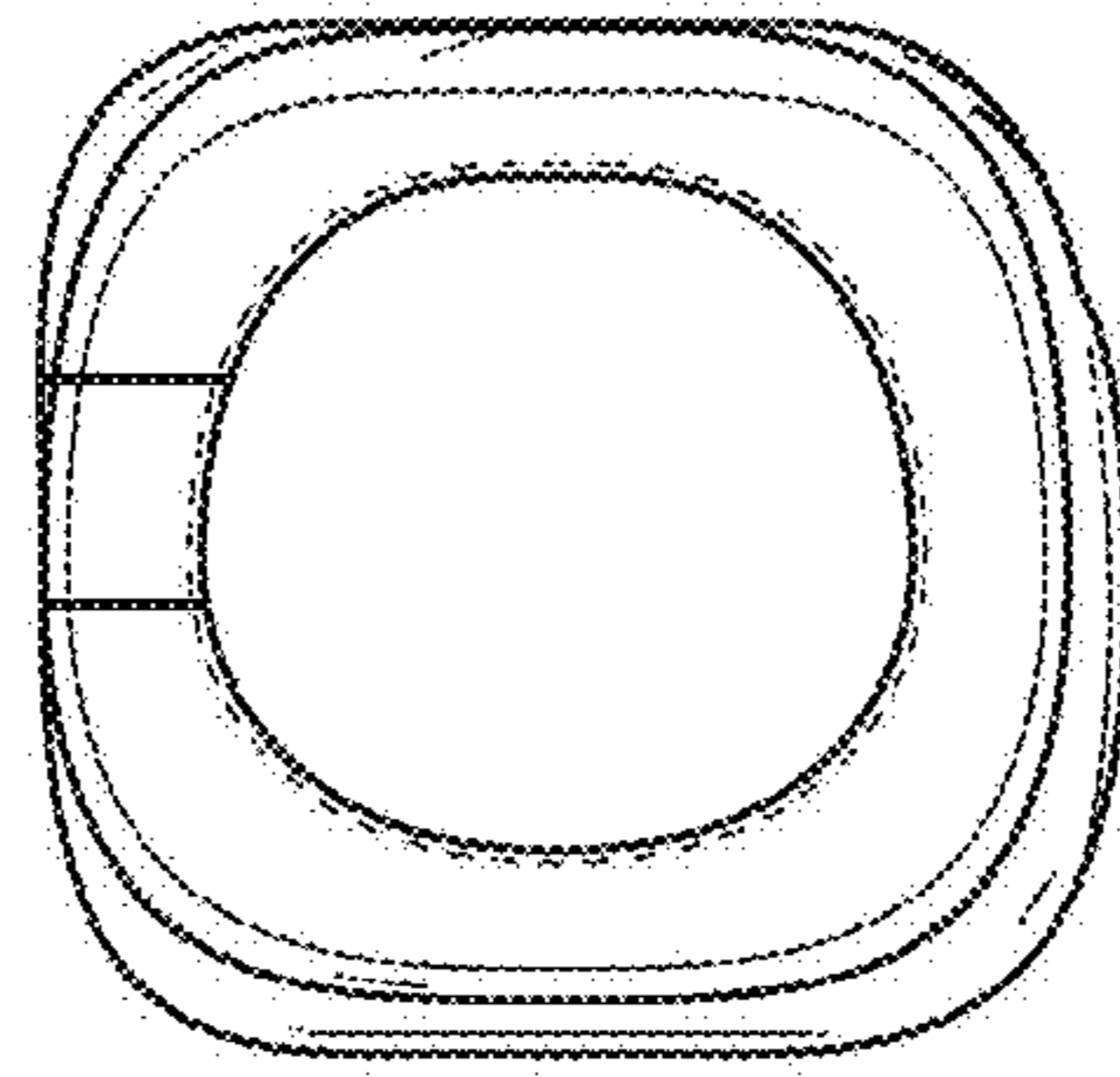


FIG. 7

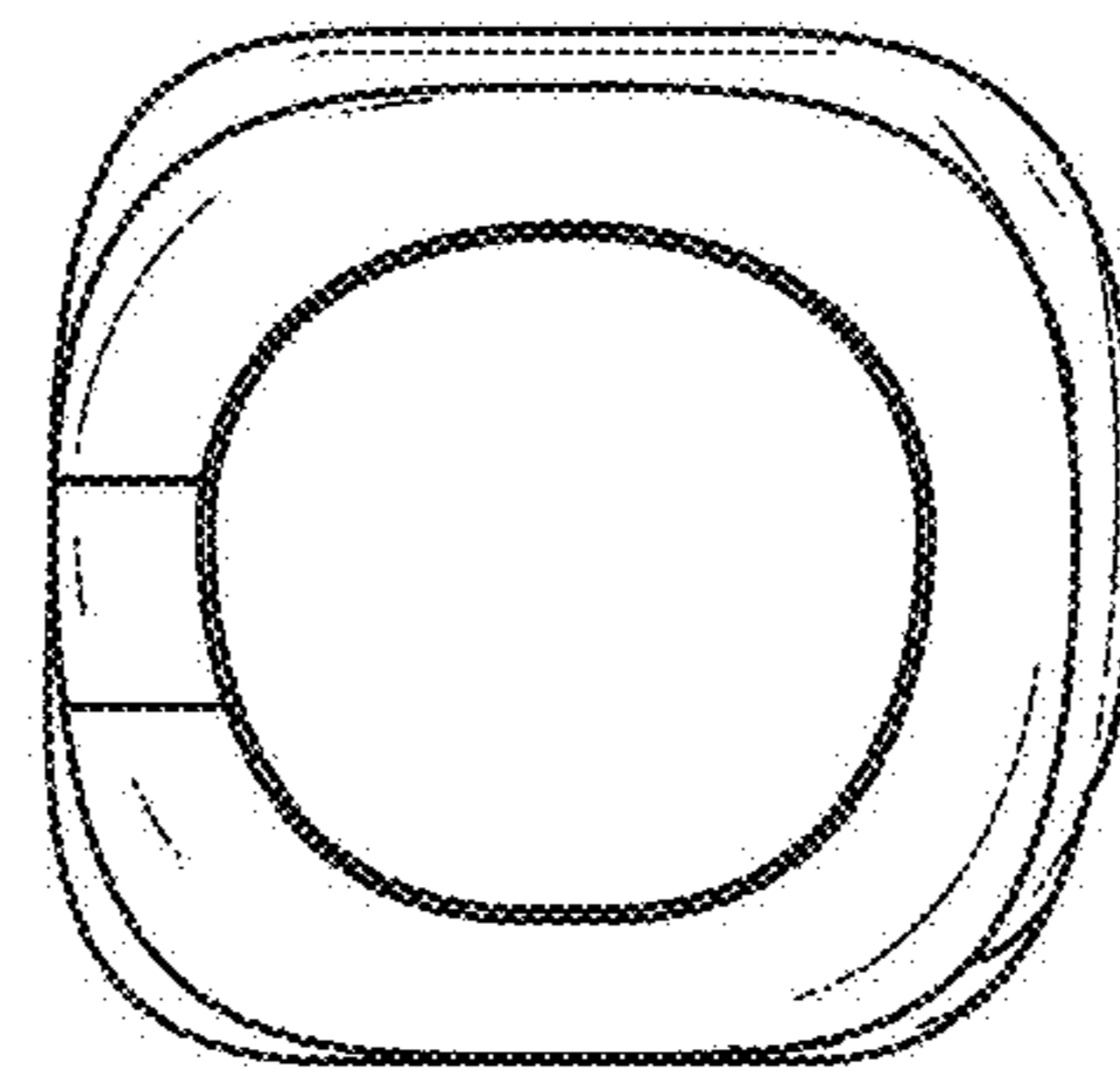


FIG. 8

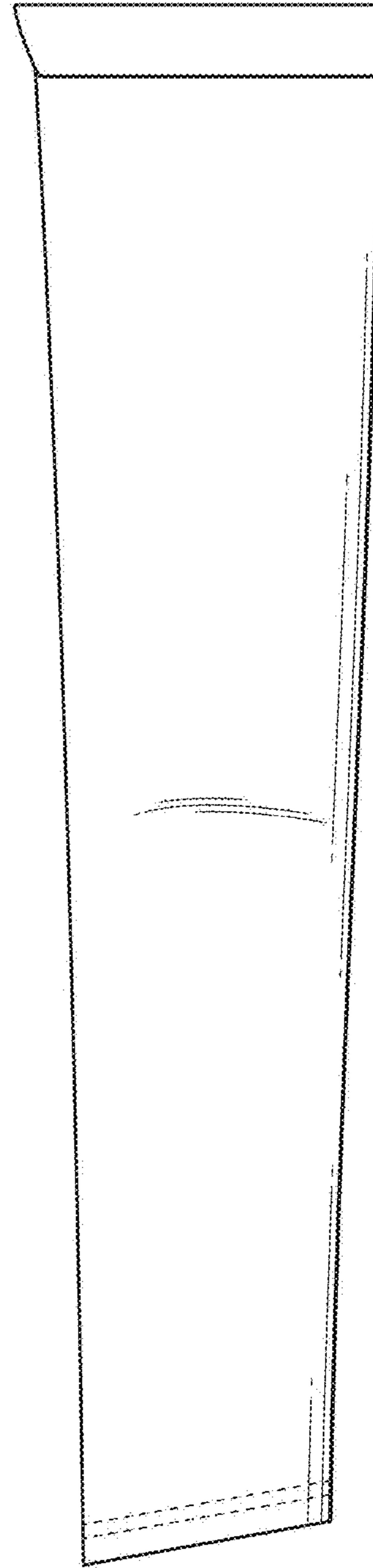


FIG. 9