



US00D922033S

(12) **United States Design Patent** (10) **Patent No.:** **US D922,033 S**
Zhu (45) **Date of Patent:** **** Jun. 15, 2021**

(54) **FIREPROOF OUTFIT**
(71) Applicant: **Yunjie Zhu**, Liuyang (CN)
(72) Inventor: **Yunjie Zhu**, Liuyang (CN)
(**) Term: **15 Years**
(21) Appl. No.: **29/760,814**
(22) Filed: **Dec. 4, 2020**
(51) **LOC (13) Cl.** **02-02**
(52) **U.S. Cl.**
USPC **D2/825; D2/865**
(58) **Field of Classification Search**
USPC D2/865, 866, 870, 874, 877, 878, 880,
D2/881, 891, 719, 728, 823, 824, 825,
D2/826, 827, 828, 831, 829, 840, 841,
D2/860, 861; D6/596, 603, 608;
D29/101.3, 108
CPC ... A41D 1/04; A41D 3/00; A41D 3/08; A41D
2200/20; A41D 2300/30; A41D 27/12;
A42B 1/00; A42B 1/04; A42B 1/041;
A42B 1/045; A42B 1/046; A42B 1/048;
A42B 7/00; A42B 1/018; A42B 1/0187;
A62B 17/003; A62B 17/04
See application file for complete search history.

(56) **References Cited**
U.S. PATENT DOCUMENTS
D121,044 S * 6/1940 Berkman D2/831
2,971,198 A * 2/1961 Tomich A41D 3/08
2/84
D399,676 S * 10/1998 Gerlach D6/603
D410,382 S * 6/1999 Therriault D2/825
D504,753 S * 5/2005 Gold D2/719
D551,891 S * 10/2007 Kaiser D6/595
D560,330 S * 1/2008 Williams D2/825
D569,673 S * 5/2008 Gostt D6/595
D593,786 S * 6/2009 Lown D6/596
D619,333 S * 7/2010 Stowell D2/823
D639,530 S * 6/2011 Bagley D2/861

D677,860 S * 3/2013 Kim D2/825
D690,486 S * 10/2013 Yan D2/825
D774,733 S * 12/2016 Stevens D2/878
D780,411 S * 3/2017 Cuevas D2/866
D801,005 S * 10/2017 Perez D2/825
D850,061 S * 6/2019 Kelly D2/825
D869,821 S * 12/2019 Limited D2/825
D877,461 S * 3/2020 Mieszczak D2/860
D878,810 S * 3/2020 O'Donnell D6/603
D887,179 S * 6/2020 Bundy D6/608
D896,554 S * 9/2020 Chen D6/603
D915,033 S * 4/2021 Stathakis D2/861
(Continued)

OTHER PUBLICATIONS

“ABN Heavy-Duty Fiberglass Fire Retardant Blanket, 6x8ft—
Large Welding Fireproof Thermal Resistant Insulation”, Retrieved
Dec. 4, 2020]. Retrieved from Internet, [https://www.amazon.com/
ABN-Heavy-Duty-Fiberglass-Retardant-Blanket/dp/B079P75WCC/
ref](https://www.amazon.com/ABN-Heavy-Duty-Fiberglass-Retardant-Blanket/dp/B079P75WCC/ref).
(Continued)

Primary Examiner — Jasmine Mlinarcik

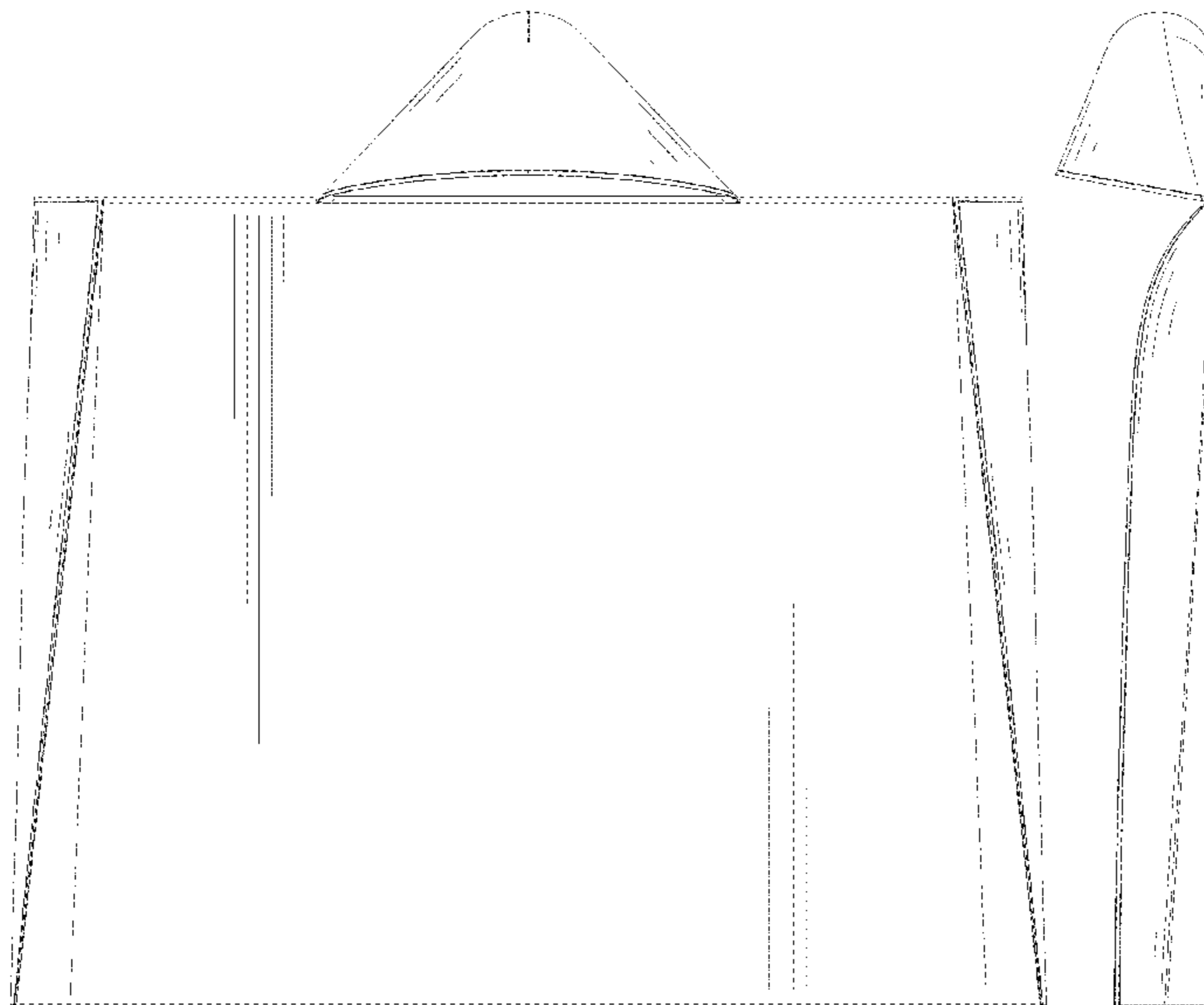
(57) **CLAIM**

The ornamental design for a fireproof outfit, as shown and
described.

DESCRIPTION

FIG. 1 is a perspective view of a fireproof outfit showing my
new design;
FIG. 2 is another perspective view thereof;
FIG. 3 is a front elevational view thereof;
FIG. 4 is a rear elevational view thereof;
FIG. 5 is a left side elevational view thereof;
FIG. 6 is a right side elevational view thereof;
FIG. 7 is a top plan view thereof;
FIG. 8 is a bottom plan view thereof; and,
FIG. 9 is an enlarged view of portion 9 shown in FIG. 2.

1 Claim, 9 Drawing Sheets



(56)

References Cited

U.S. PATENT DOCUMENTS

2020/0100551 A1* 4/2020 Lee A42B 1/041
2020/0316412 A1* 10/2020 Weber A62B 7/10

OTHER PUBLICATIONS

“Large Fiberglass Welding Blanket—Retardant | Fireproof, Fireproof Thermal Resistant Insulation Cover, Silver grommet, easy to hang and fix, 1100° F. Heavy Duty Welding Blanket Washable, (5'x7'”, Retrieved Dec. 4, 2020]. Retrieved from Internet, <https://www.amazon.com/Fiberglass-Blanket-Retardant-Fireproof, Fireproof-Insulation-Cover, Silver/dp/B08BXZ4L68/ref>.

* cited by examiner

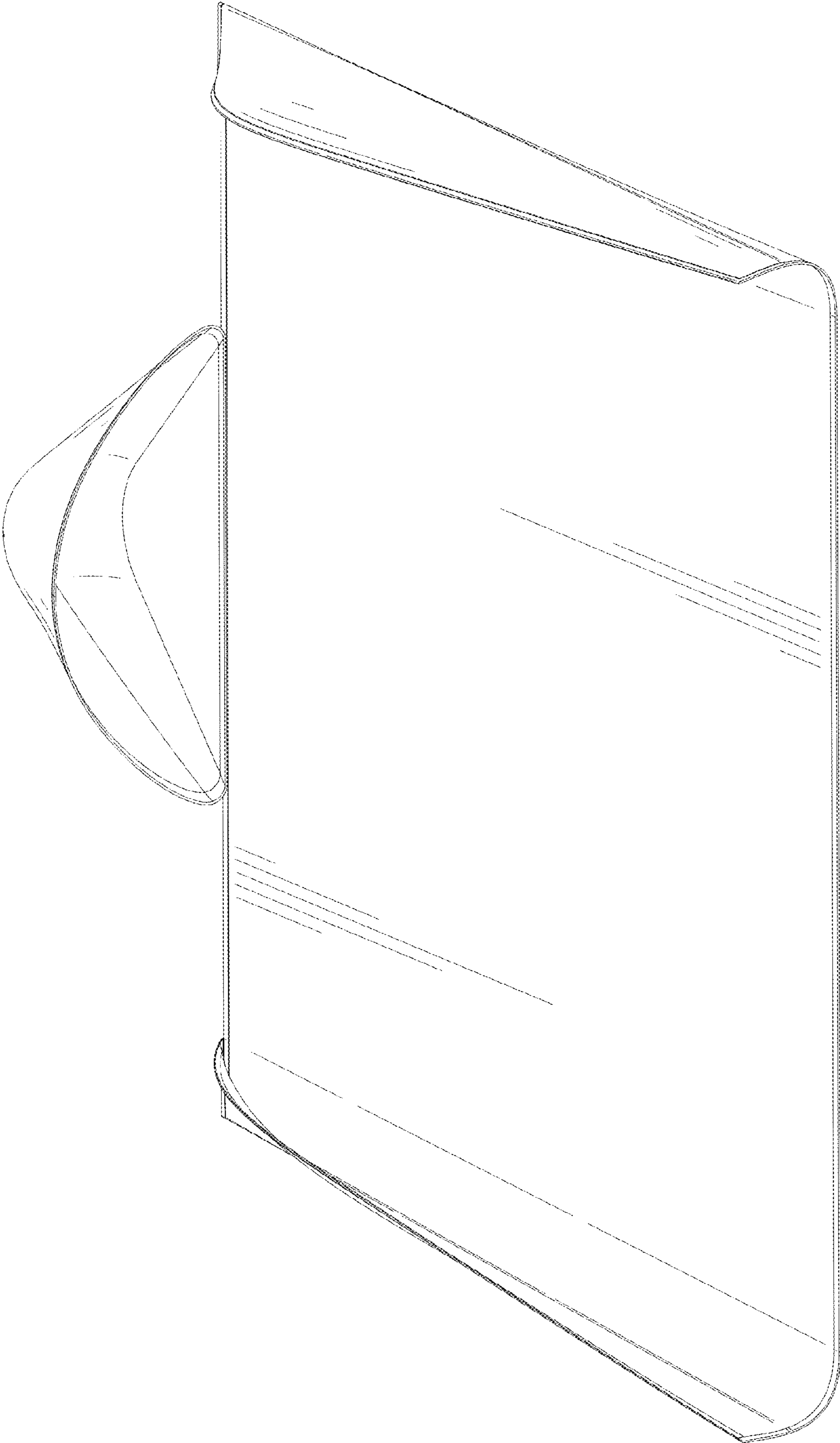


FIG. 1

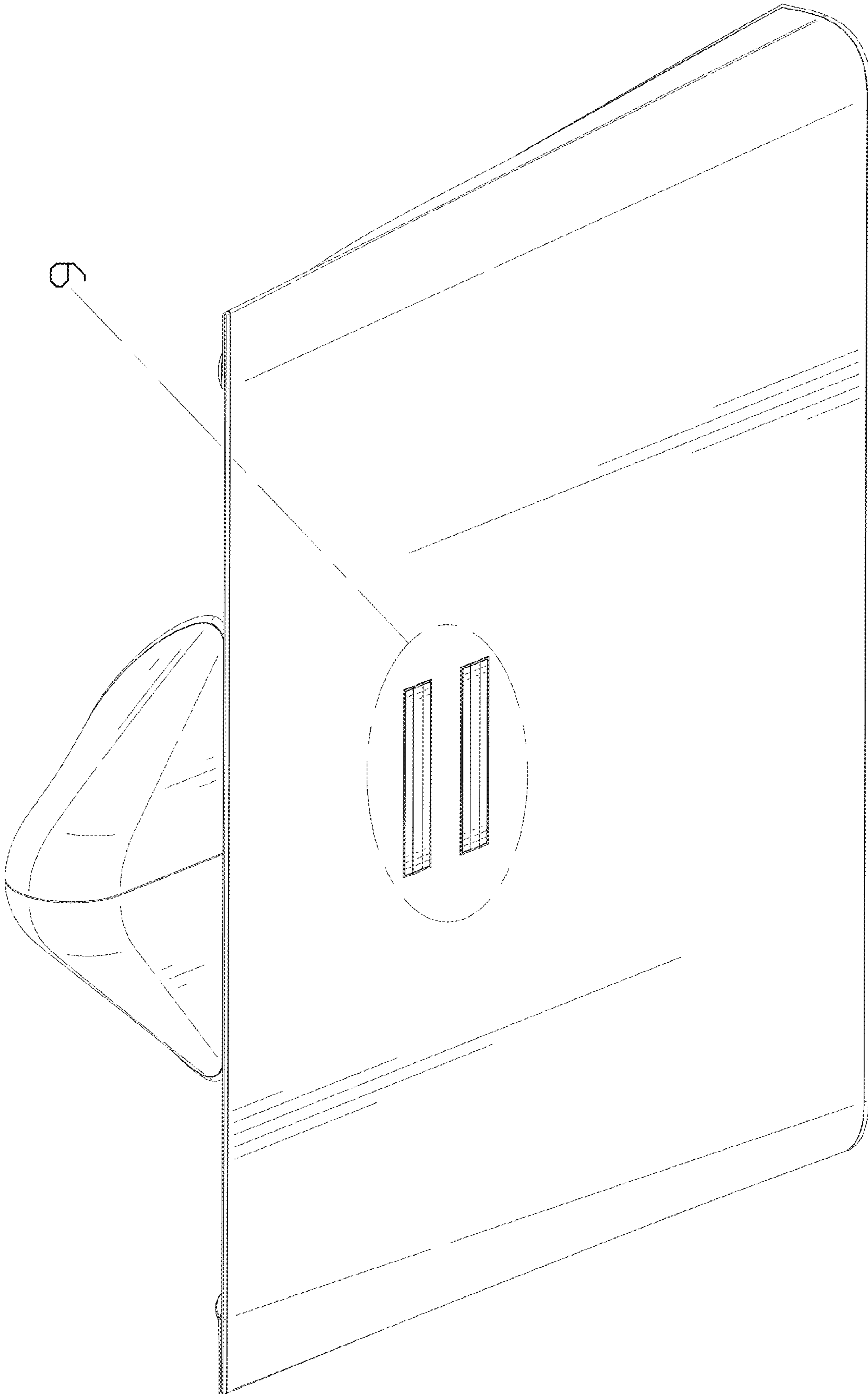


FIG. 2

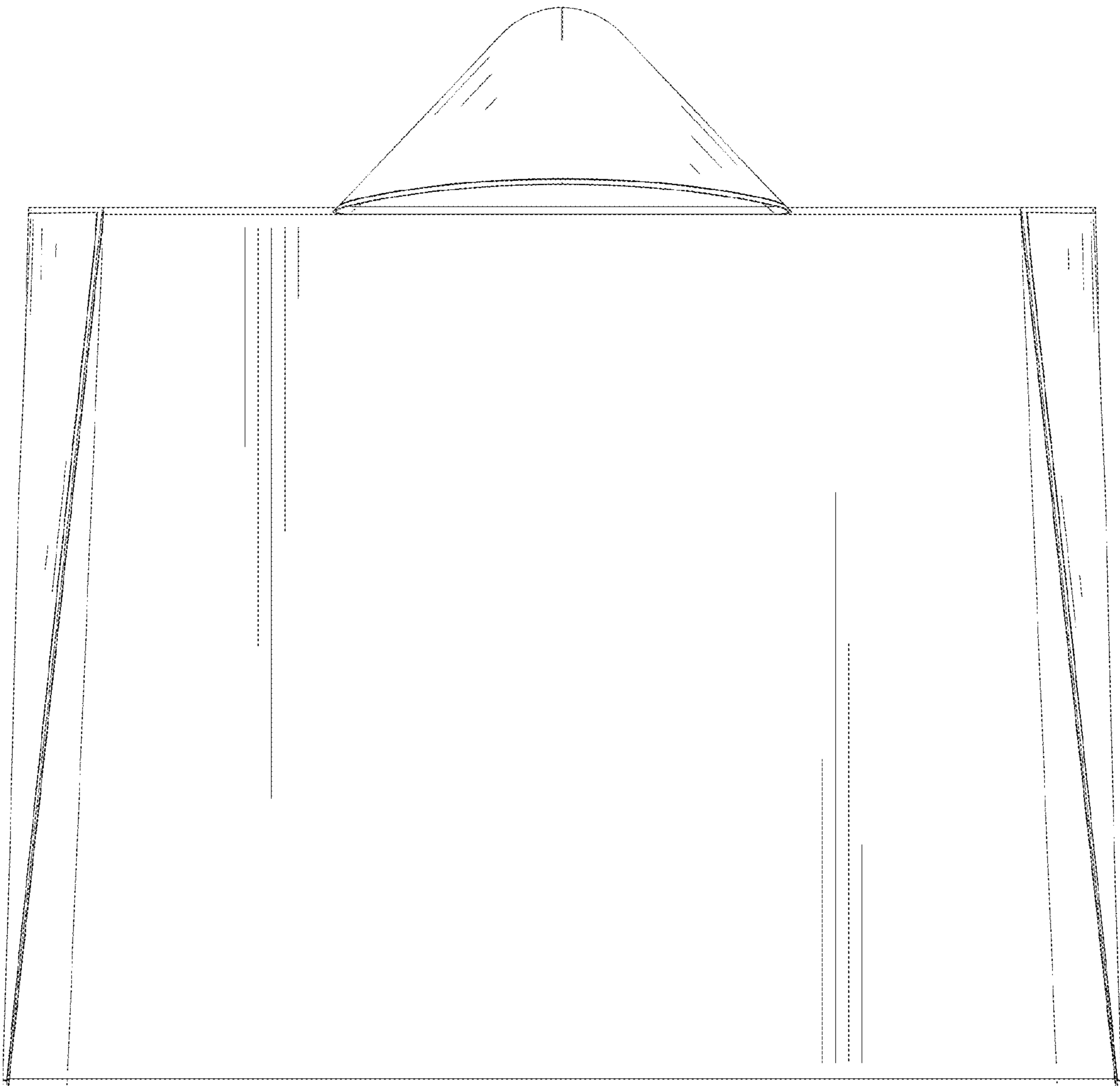


FIG. 3

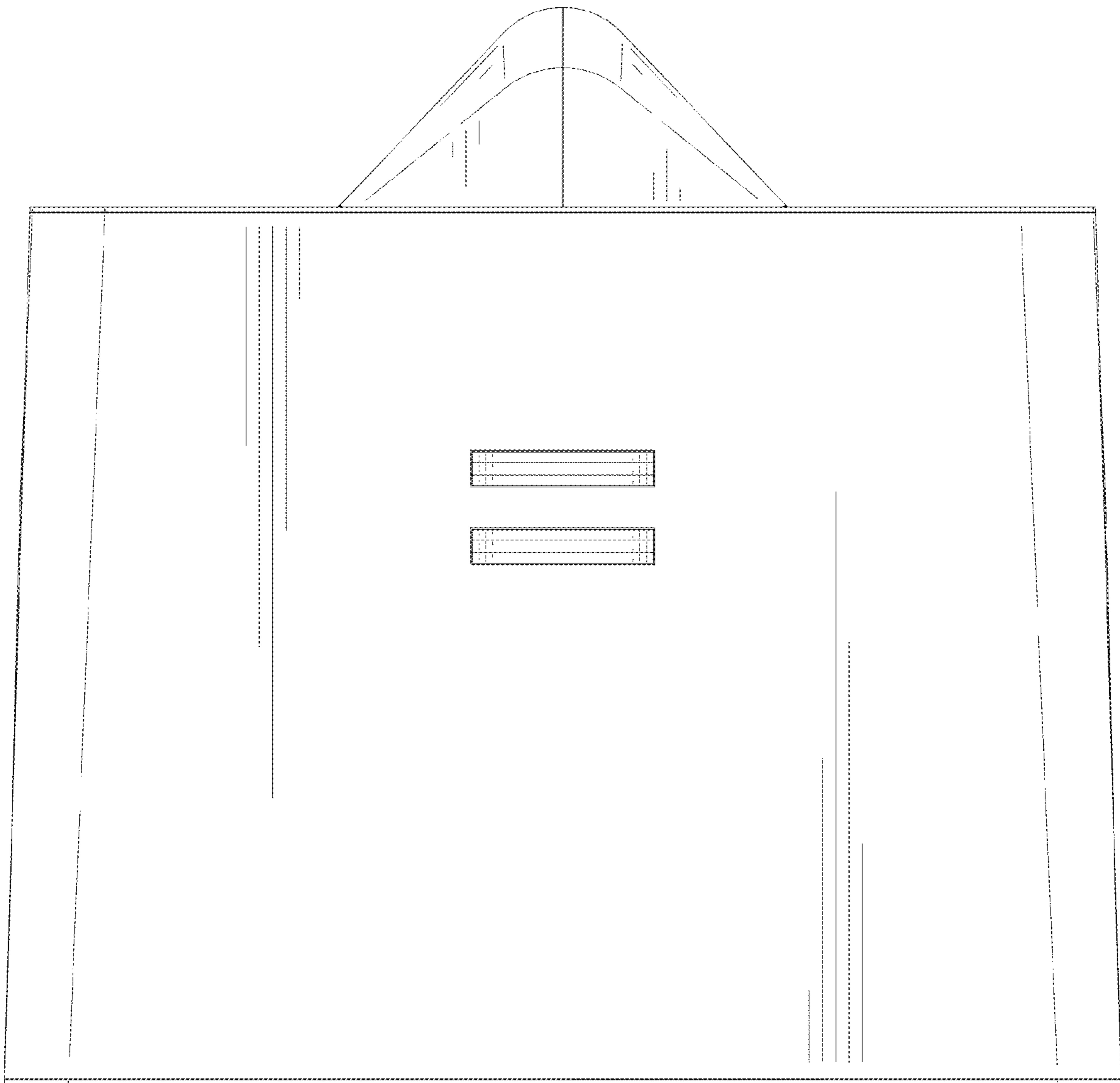


FIG. 4

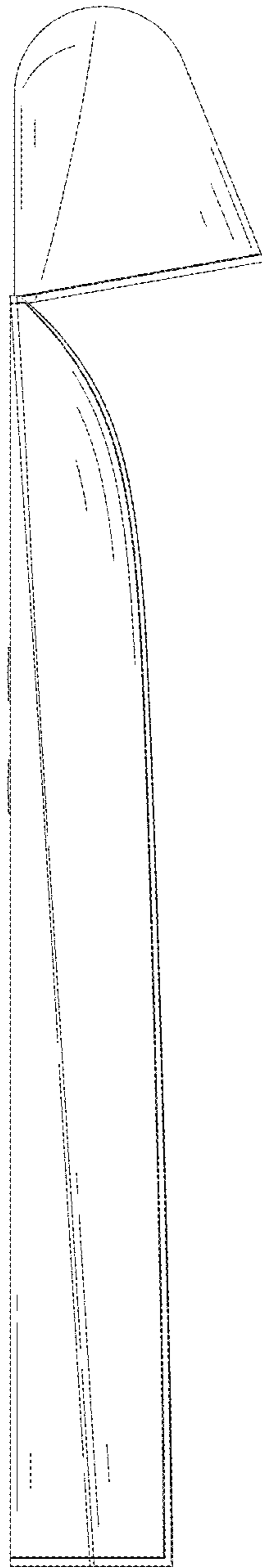


FIG. 5

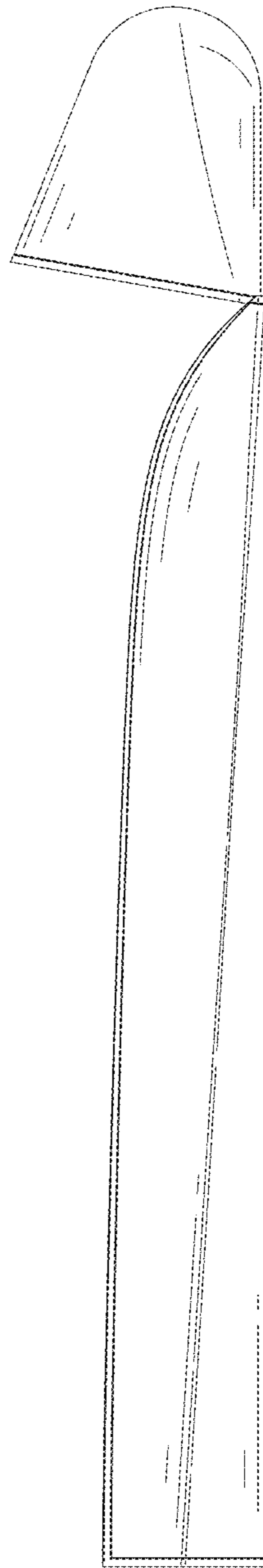


FIG. 6

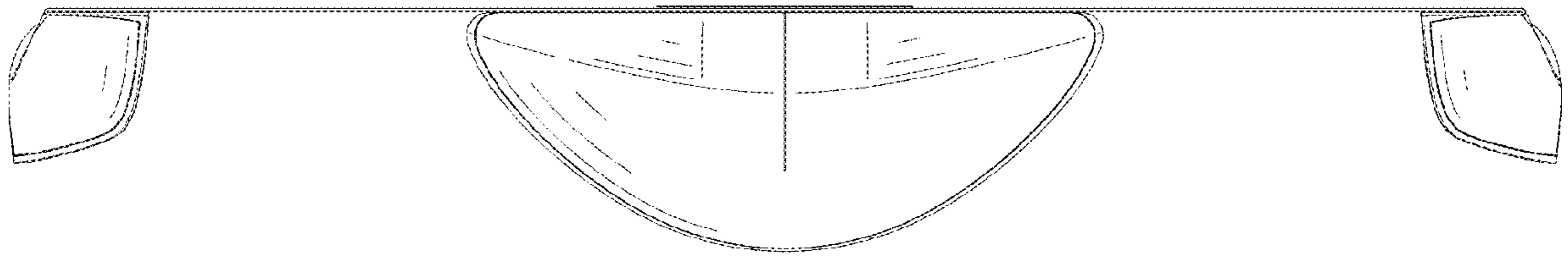


FIG. 7

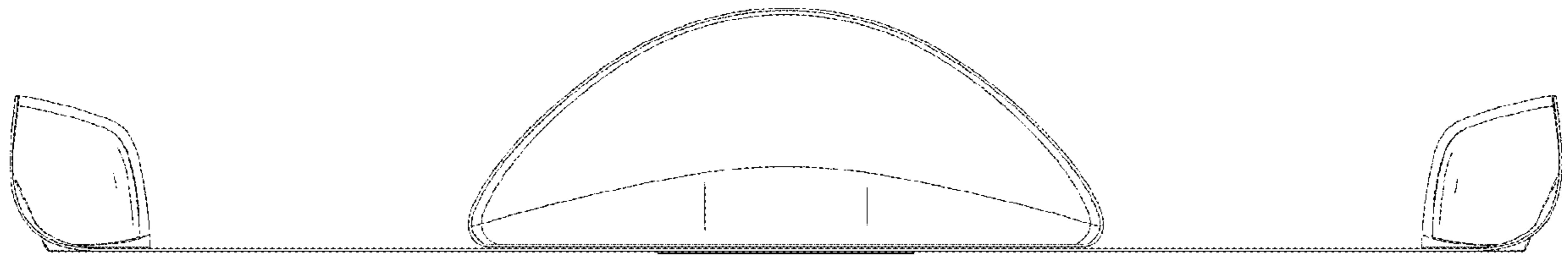


FIG. 8

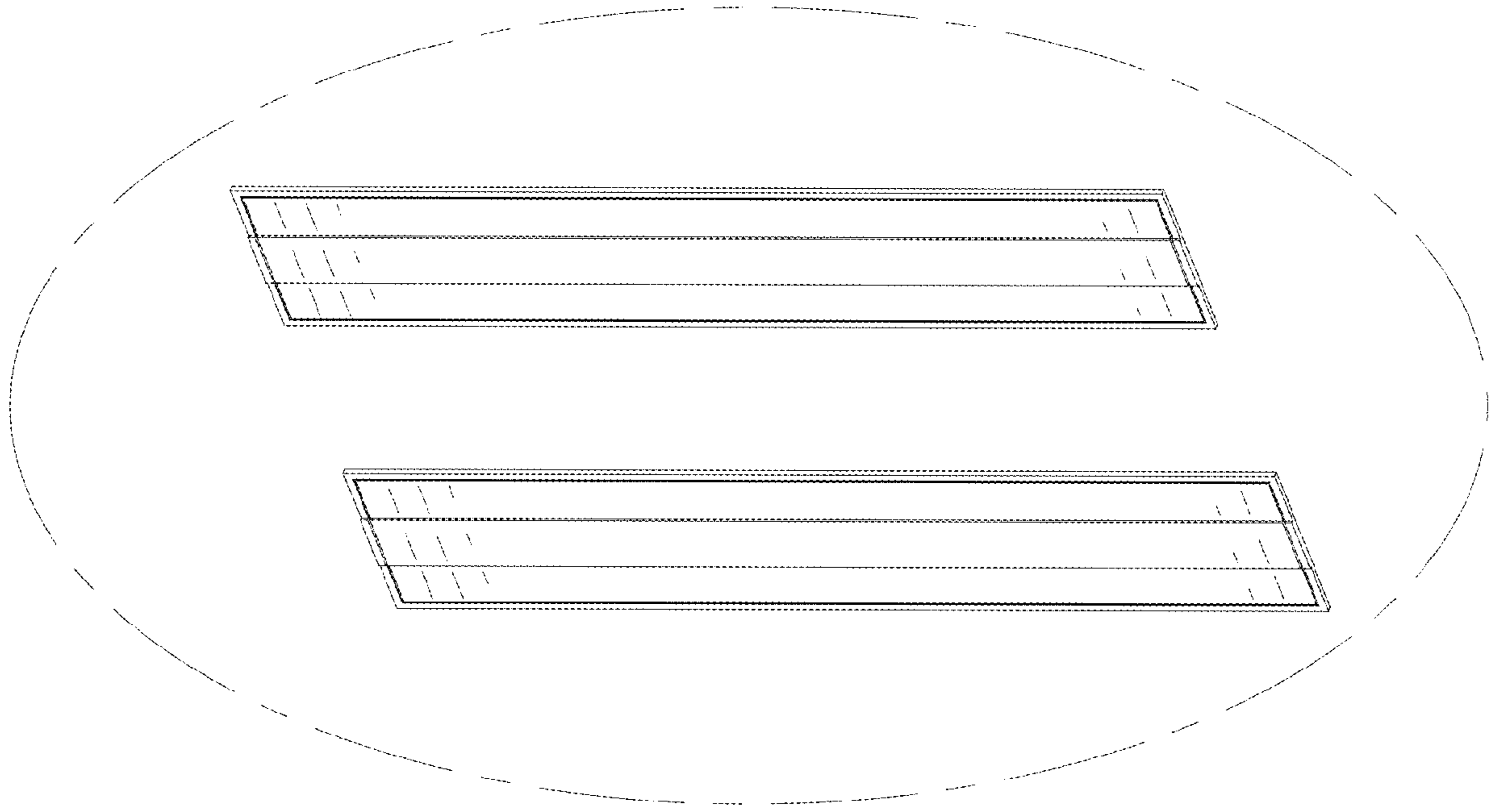


FIG. 9