

US00D922028S

(12) **United States Design Patent**  
**Guevarra**

(10) **Patent No.:** **US D922,028 S**  
(45) **Date of Patent:** **\*\* Jun. 15, 2021**

- (54) **BOW TIE**
- (71) Applicant: **Maybelle Charm Cruz Guevarra**,  
Rancho Cucamonga, CA (US)
- (72) Inventor: **Maybelle Charm Cruz Guevarra**,  
Rancho Cucamonga, CA (US)
- (\*\*) Term: **15 Years**
- (21) Appl. No.: **29/714,419**
- (22) Filed: **Nov. 22, 2019**
- (51) **LOC (13) Cl.** ..... **02-05**
- (52) **U.S. Cl.**  
USPC ..... **D2/605**; D28/41
- (58) **Field of Classification Search**  
USPC ..... D2/500, 501, 502, 600, 601, 602, 603,  
D2/604, 605, 606, 607, 608, 609;  
D11/131, 184; D28/39, 40, 41, 42, 43  
CPC .. A41D 23/00; A41D 2023/004; A41D 25/00;  
A41D 25/001; A41D 25/003; A41D  
25/005; A41D 25/02; A41D 25/025;  
A41D 25/027; A41D 25/04; A41D 25/06;  
A41D 25/08; A41D 25/10; A41D 25/12;  
A41D 25/14; A41D 25/16  
See application file for complete search history.

(56) **References Cited**

U.S. PATENT DOCUMENTS

1,456,757	A *	5/1923	Berkson	.....	A41D 25/02	2/151
1,537,664	A *	5/1925	Friedman	.....	A41D 25/02	2/154
1,692,991	A *	11/1928	Howard	.....	A41D 25/02	2/151
1,759,007	A *	5/1930	Halpern	.....	A41D 25/16	2/151
1,798,086	A	3/1931	Hyman et al.			
1,871,173	A *	8/1932	Grossman	.....	A41D 25/16	2/154
2,578,269	A	12/1951	Sinton et al.			

2,844,821	A	7/1958	Shurtz et al.			
D368,572	S	4/1996	Pon et al.			
5,636,384	A *	6/1997	Draughon	.....	D04D 7/10	2/171
D389,285	S	1/1998	Falloon			
D534,333	S	1/2007	Jones			
D535,055	S *	1/2007	Been	.....	D2/606	
D547,026	S	7/2007	Grisson			

(Continued)

OTHER PUBLICATIONS

Lucy and Unikitty Bows, [online]; [review published to the Internet on Sep. 9, 2019]; [retrieved from the internet on Feb. 10, 2021]; URL: [https://www.etsy.com/listing/714858858/lucy-and-unikitty-bows?show\\_sold\\_out\\_detail=1&ref=nla\\_listing\\_details](https://www.etsy.com/listing/714858858/lucy-and-unikitty-bows?show_sold_out_detail=1&ref=nla_listing_details). (4 pgs).\*

*Primary Examiner* — Jasmine Mlinarcik  
(74) *Attorney, Agent, or Firm* — Dunlap Bennett & Ludwig, PLLC

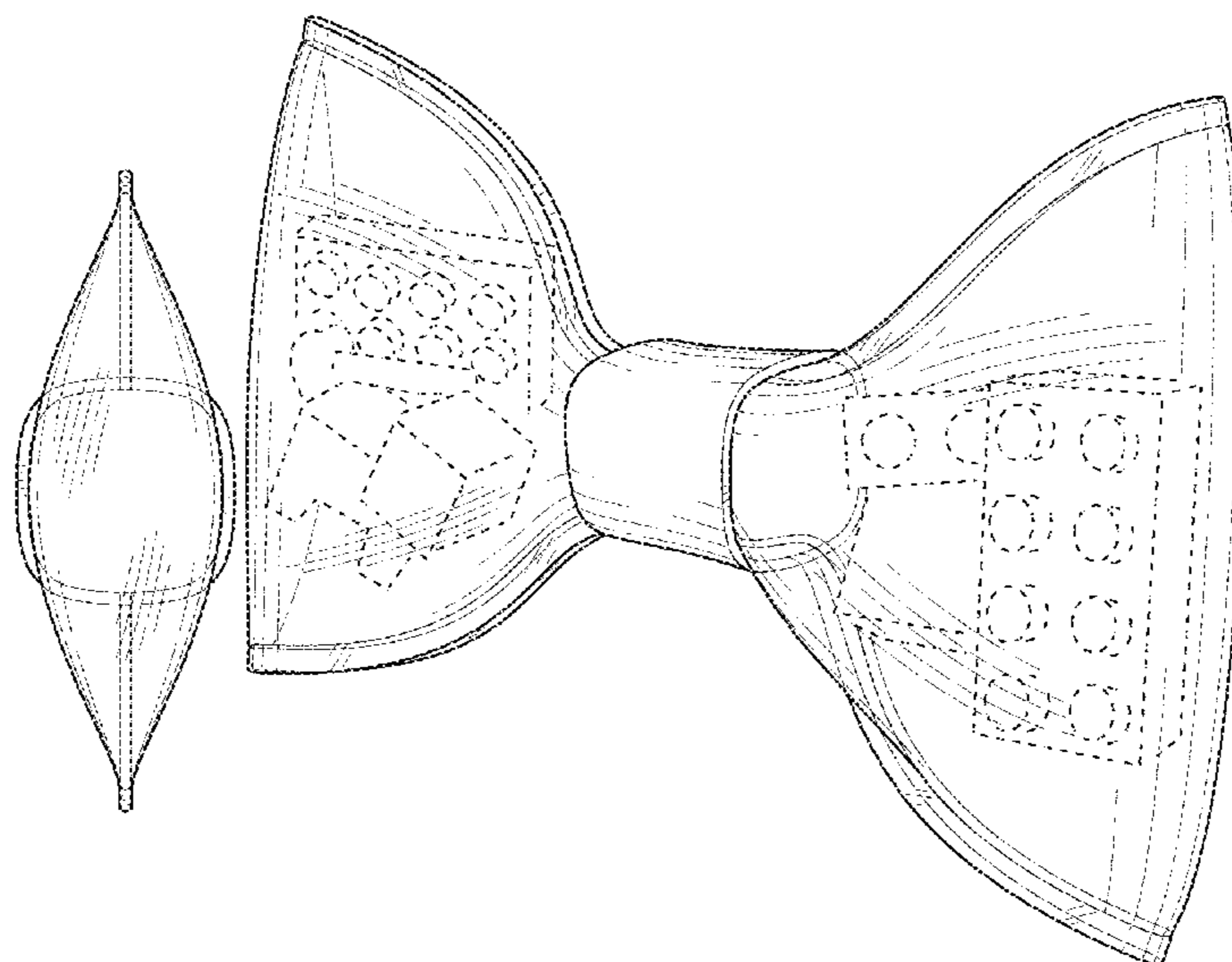
(57) **CLAIM**

The ornamental design for a bow tie, as shown and described.

**DESCRIPTION**

FIG. 1 is a perspective view of a bow tie, showing my new design;  
FIG. 2 is a right-side elevation view thereof;  
FIG. 3 is a left-side elevation view thereof;  
FIG. 4 is a front elevation view thereof;  
FIG. 5 is a rear elevation view thereof;  
FIG. 6 is a top plan view thereof;  
FIG. 7 is a bottom plan view thereof; and,  
FIG. 8 is a perspective view of the bow tie, shown in use. The broken lines showing toys in FIG. 8 depicts environmental subject matter that forms no part of the claimed design.  
The shading applied along the wings of the bow tie depict a transparent appearance.

**1 Claim, 5 Drawing Sheets**



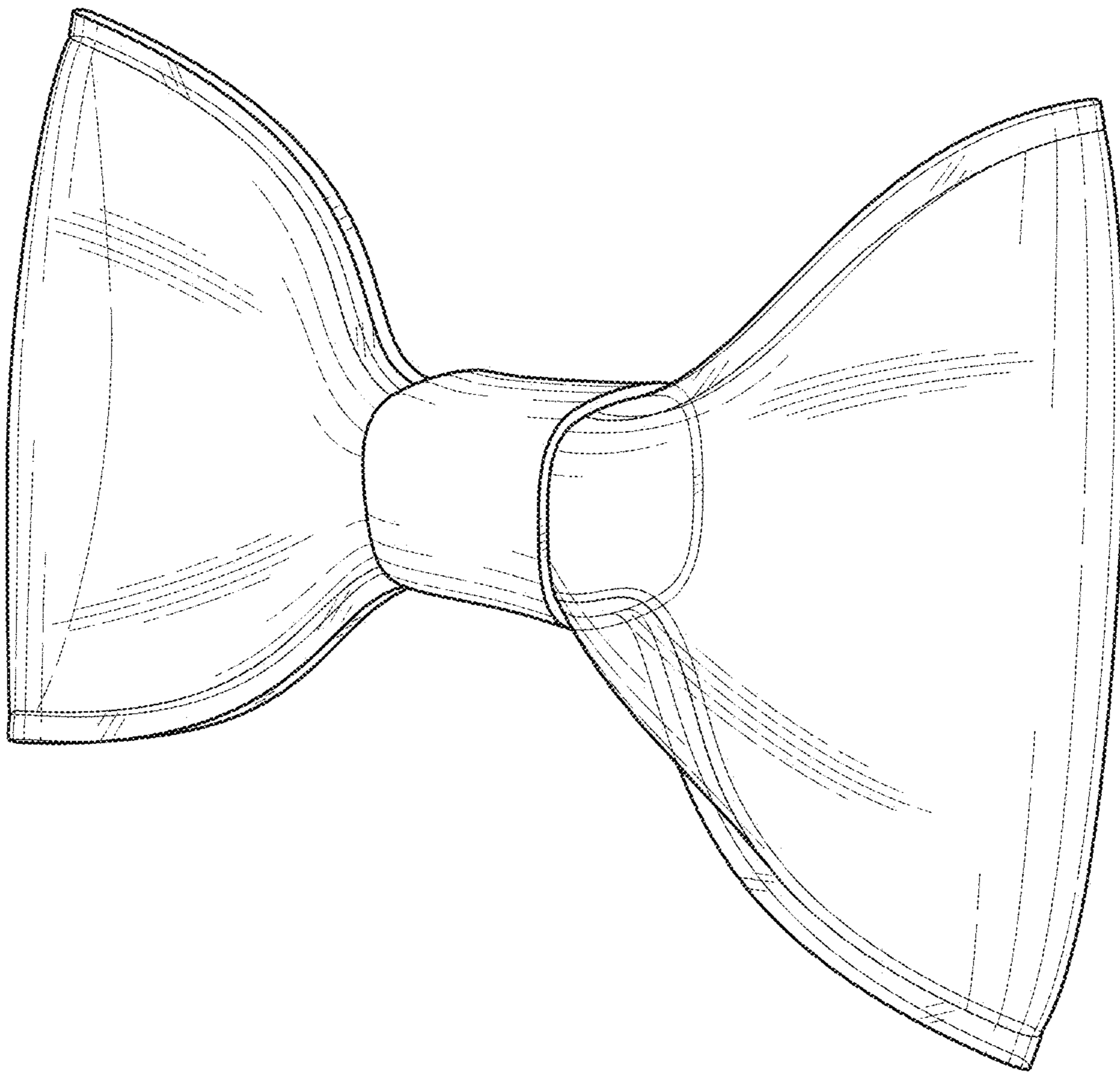
(56)

**References Cited**

U.S. PATENT DOCUMENTS

D621,133 S	8/2010	Zakheim	
D695,631 S	12/2013	Kim	
D701,777 S	4/2014	Kim	
D727,164 S	4/2015	Staab	
D734,223 S	7/2015	Grilley	
D760,961 S	7/2016	Turner	
D762,352 S *	8/2016	Shelby .....	D2/895
D770,326 S	11/2016	Pasco	
D777,580 S	1/2017	Lloyd et al.	
D788,997 S	6/2017	Fore	
D820,684 S	6/2018	Egner	
D834,407 S	11/2018	Miller	
D834,990 S	12/2018	Pandolfino	
D834,991 S	12/2018	Pandolfino	
D854,247 S *	7/2019	Passarello .....	D28/41
D888,338 S *	6/2020	Passarello .....	D28/41
2015/0257467 A1	9/2015	Frimpong	

\* cited by examiner



**FIG. 1**

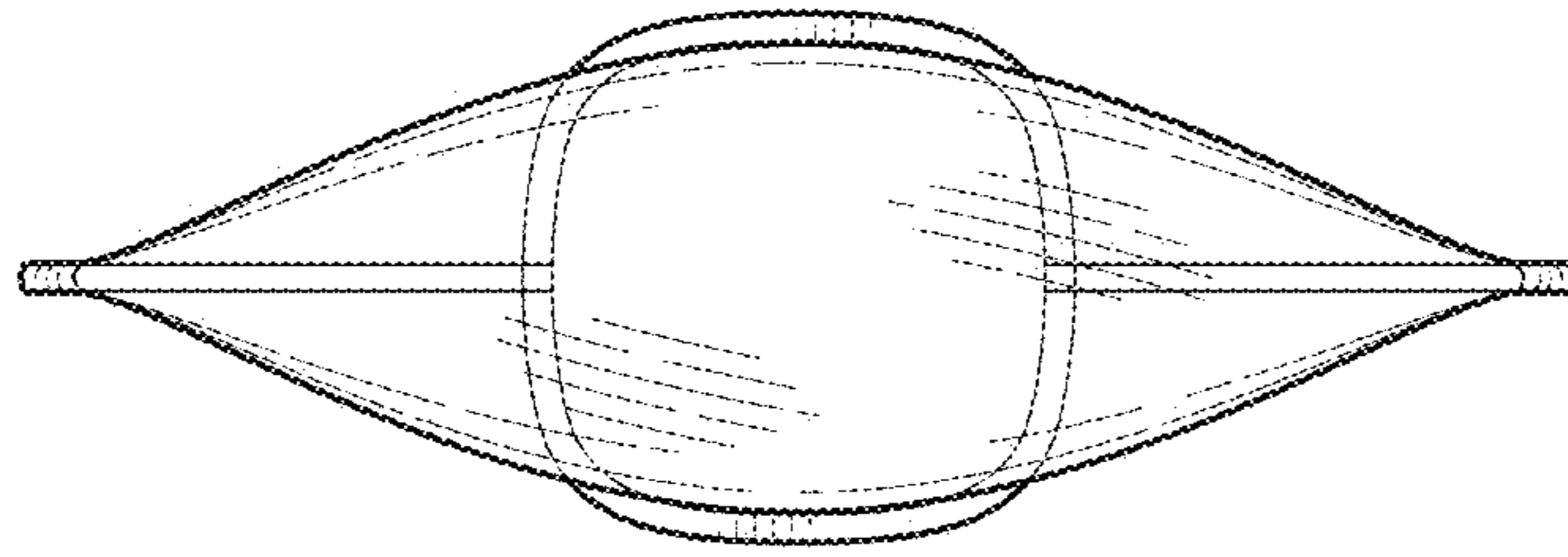


FIG. 3

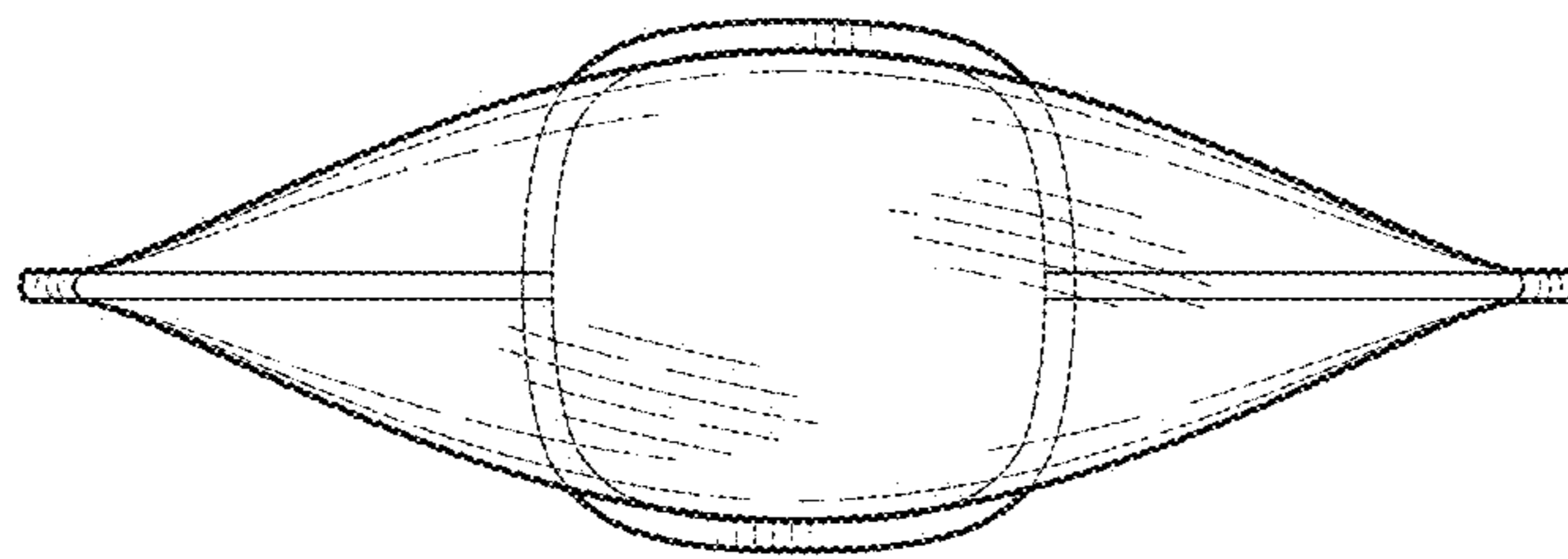
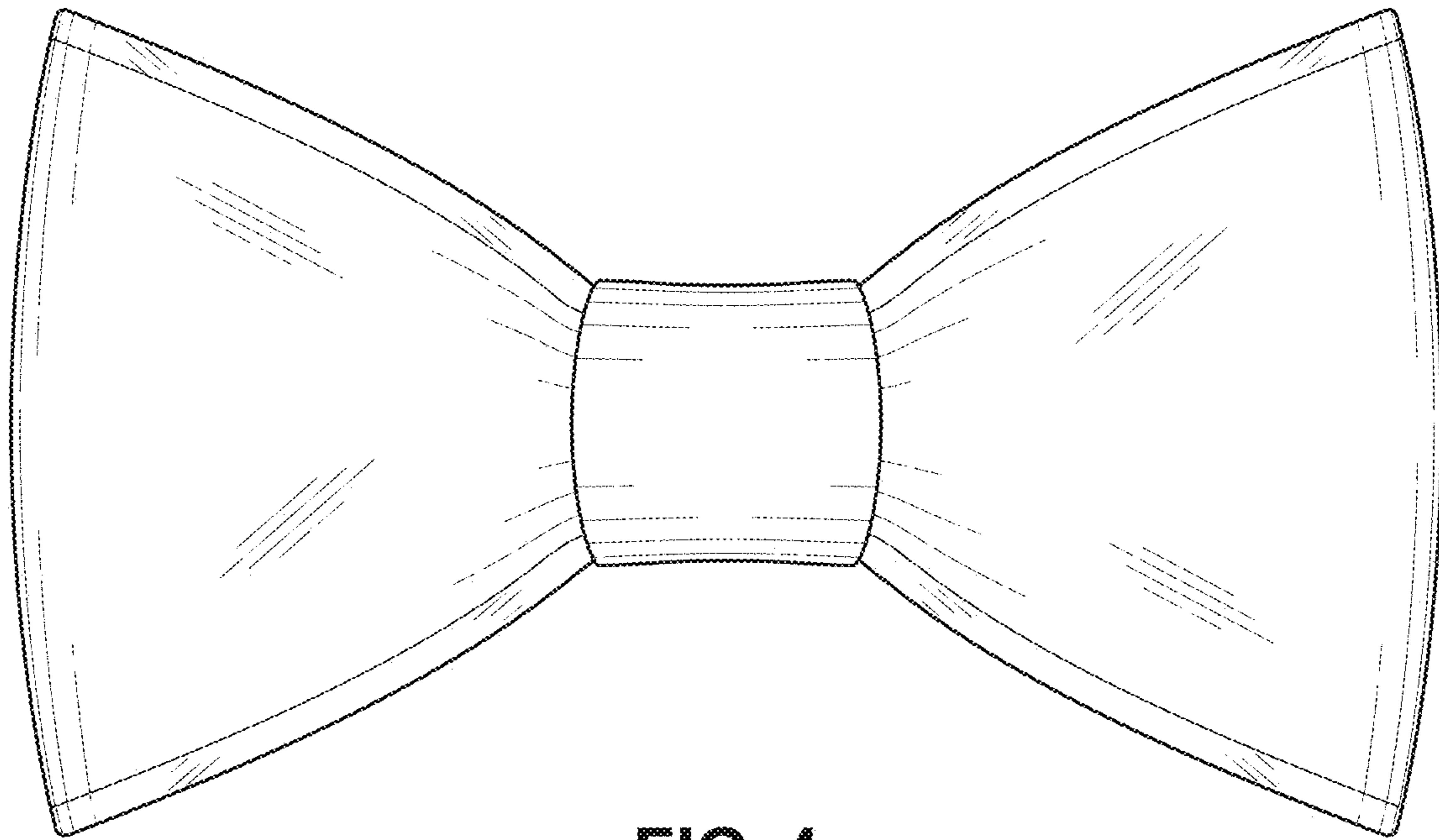
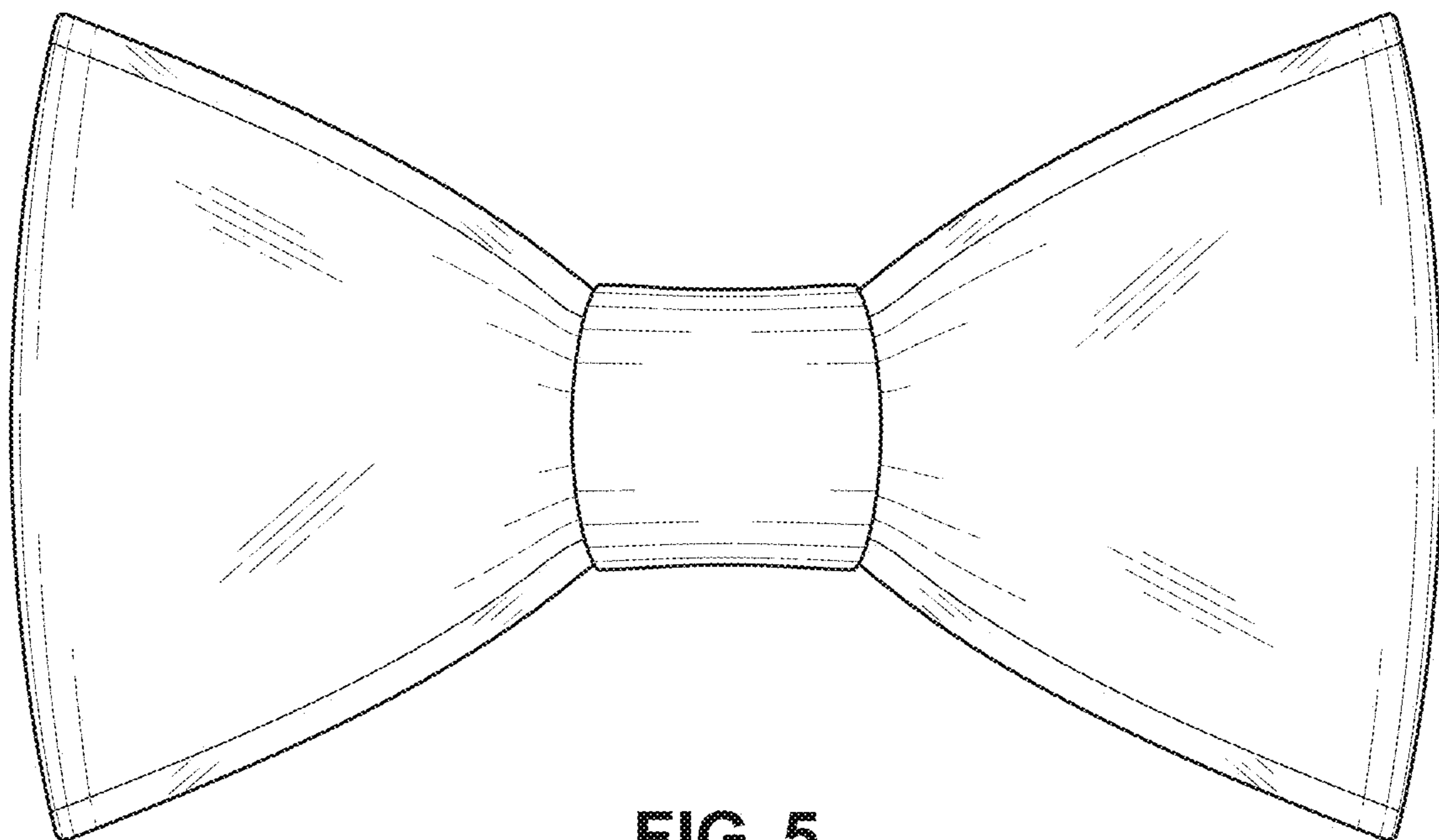


FIG. 2



**FIG. 4**



**FIG. 5**



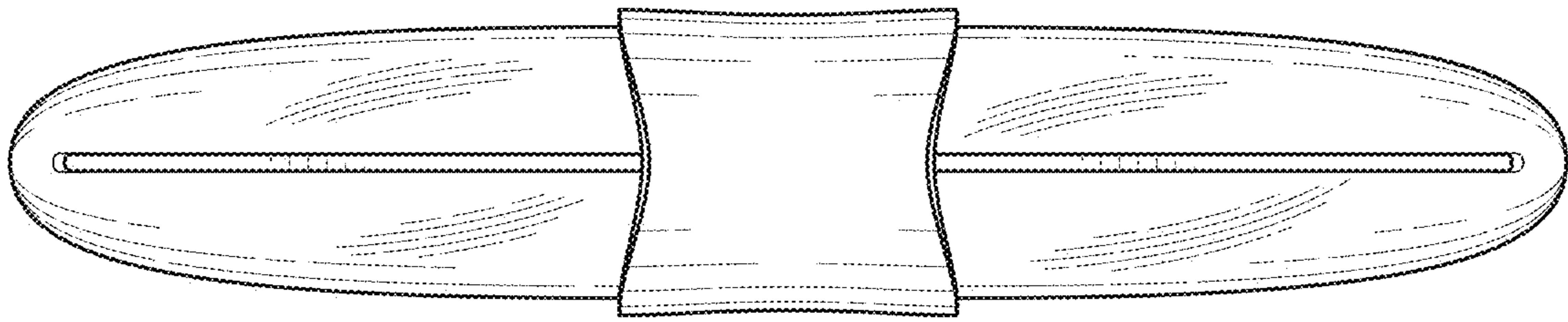


FIG. 6

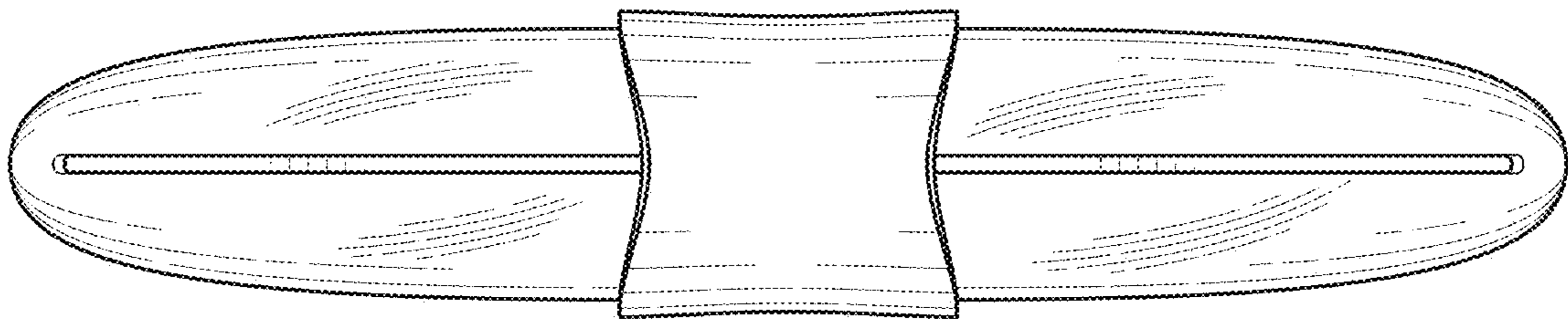


FIG. 7

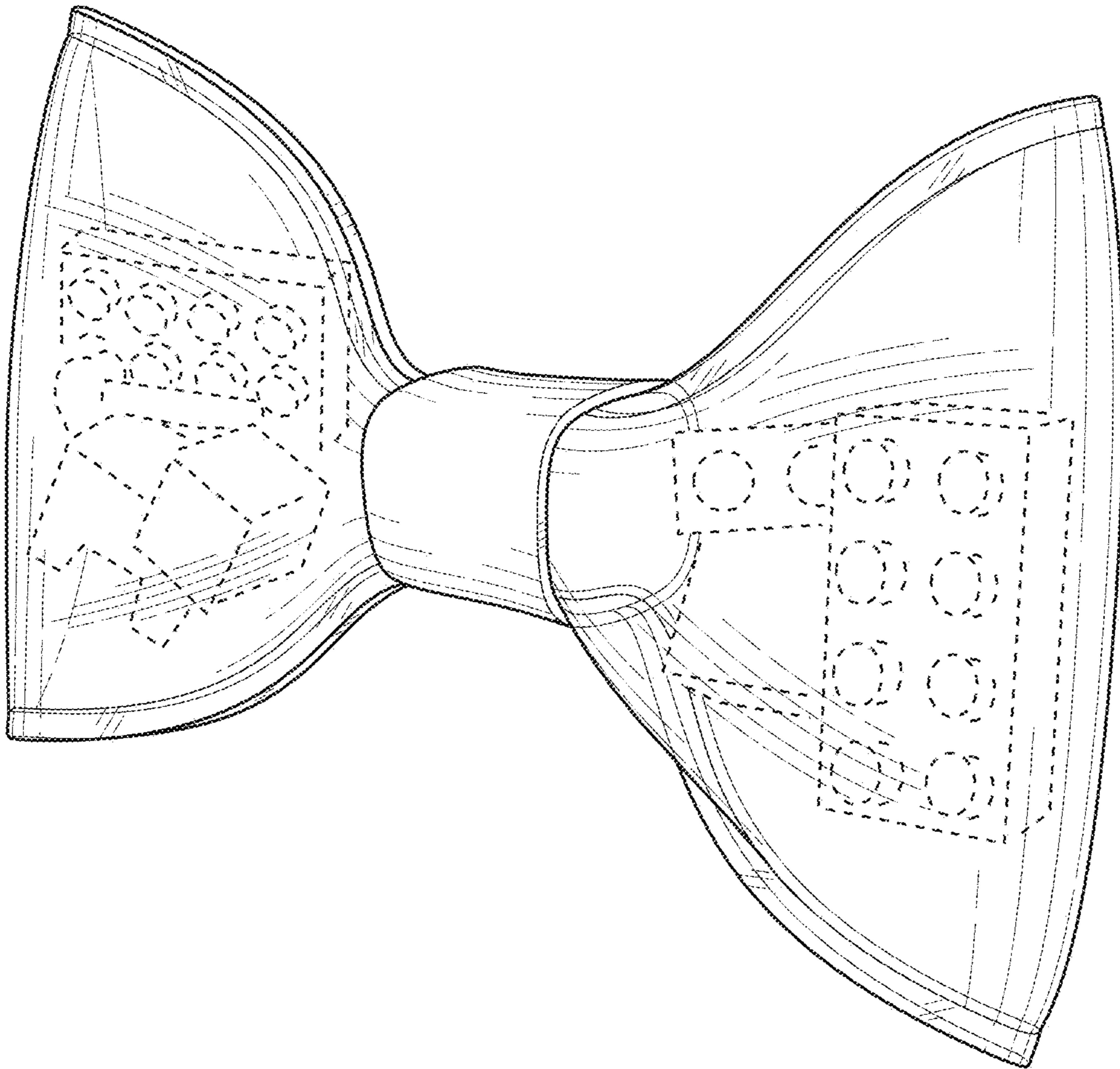


FIG. 8