



US00D922025S

(12) **United States Design Patent**  
**Beliveau**

(10) **Patent No.:** **US D922,025 S**

(45) **Date of Patent:** **\*\* Jun. 8, 2021**

(54) **BURIAL CAPSULE**

(71) Applicant: **Pyramidestal Inc.**, Granby (CA)

(72) Inventor: **Pierre Beliveau**, Granby (CA)

(73) Assignee: **Pyramidestal Inc.**, Granby (CA)

(\*\*) Term: **15 Years**

(21) Appl. No.: **29/711,734**

(22) Filed: **Nov. 1, 2019**

(51) **LOC (13) Cl.** ..... **99-00**

(52) **U.S. Cl.**  
USPC ..... **D99/1**

(58) **Field of Classification Search**

USPC ..... D99/1, 4; D3/201, 266, 203, 264, 265,  
D3/294, 295, 247; D28/78, 83; D9/420,  
D9/426; 27/2, 11, 17, 19, 27, 6, 18;  
206/155, 228, 518, 520, 4.21; 220/4.21,  
220/836, 835; 229/400  
CPC ..... A61G 17/00; A61G 17/08; A61G 17/02;  
A61G 17/0076; B65D 43/164; A45D  
33/00

See application file for complete search history.

(56) **References Cited**

**U.S. PATENT DOCUMENTS**

167,451 A	9/1875	Hunt	
188,014 A	3/1877	Holmes	
636,603 A	11/1899	Williams	
818,220 A	4/1906	Belair	
842,831 A	1/1907	Eagelman	
915,928 A	3/1909	Barnes	
D49,217 S *	6/1916	King	D3/265
1,955,613 A *	4/1934	Theilengerdes	A45C 15/02 206/5
2,247,617 A	7/1941	Metz	
D158,175 S *	4/1950	Castelli	D3/205
2,503,293 A *	4/1950	Paden	A61G 17/00 27/6

2,516,488 A 7/1950 Smith  
2,563,157 A \* 8/1951 Castelli ..... A45D 44/18  
206/581

2,579,756 A 12/1951 Reed

(Continued)

*Primary Examiner* — Paula Allen Greene

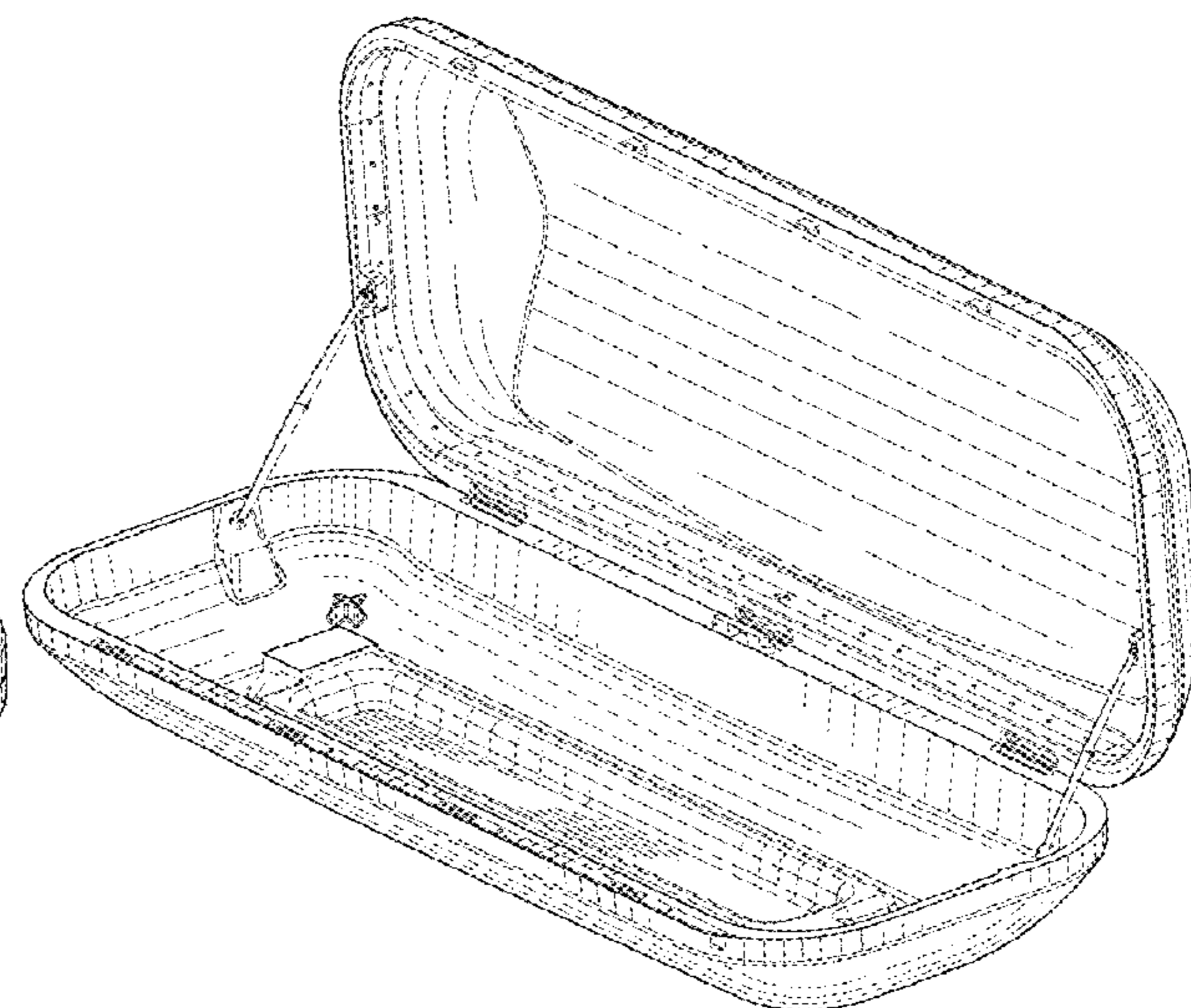
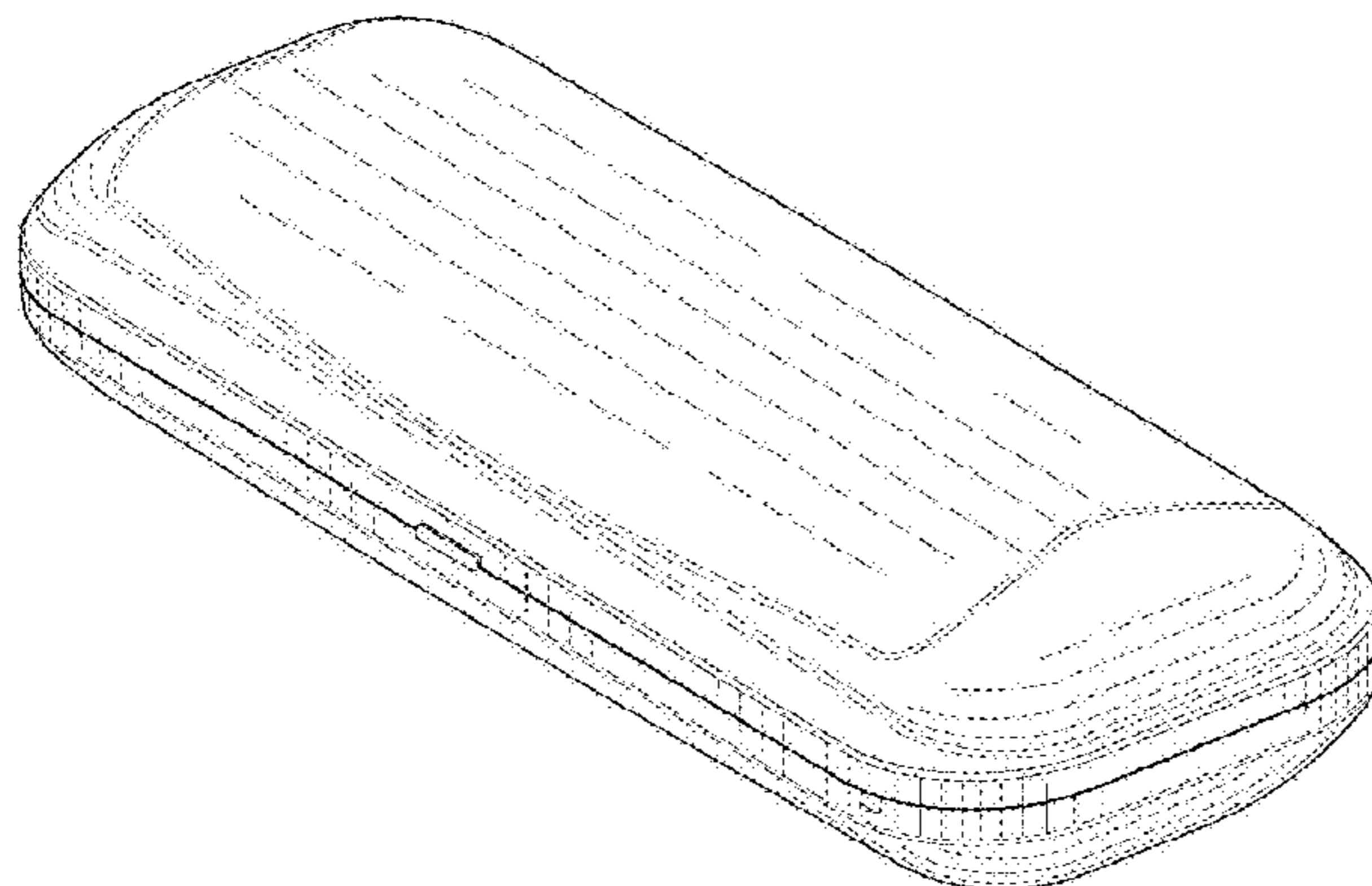
(57) **CLAIM**

The ornamental design for a burial capsule, as shown and described.

**DESCRIPTION**

FIG. 1 is a perspective view of a burial capsule showing my new design in a closed position;  
FIG. 2 is an alternative perspective view thereof in the closed position;  
FIG. 3 is a top plan view thereof in the closed position;  
FIG. 4 is a bottom plan view thereof in the closed position;  
FIG. 5 is a front elevational view thereof in the closed position;  
FIG. 6 is a rear elevational view thereof in the closed position;  
FIG. 7 is a right side elevational view thereof in the closed position;  
FIG. 8 is a left side elevational view thereof in the closed position;  
FIG. 9 is a perspective view thereof in an open position;  
FIG. 10 is a top plan view thereof in the open position;  
FIG. 11 is a bottom plan view thereof in the open position;  
FIG. 12 is a front elevational view thereof in the open position;  
FIG. 13 is a rear elevational view thereof in the open position;  
FIG. 14 is a right side elevational view thereof in the open position; and,  
FIG. 15 is a left side elevational view thereof in the open position.

**1 Claim, 15 Drawing Sheets**



(56)

References Cited

U.S. PATENT DOCUMENTS

2,811,768 A	11/1957	Axelson					
2,835,955 A	5/1958	Snyder					
2,882,584 A	4/1959	Kidd					
3,164,880 A	1/1965	Hotchkiss					
3,208,188 A *	9/1965	Fulton	A61G 17/02				
			52/138				
3,244,311 A *	4/1966	Lawson	B65D 21/0234				
			220/4.21				
3,315,796 A *	4/1967	Dreyfuss	B26B 21/40				
			206/228				
3,348,280 A *	10/1967	Myers	A61G 17/00				
			27/2				
3,435,494 A	4/1969	Bernard					
3,515,268 A *	6/1970	Lindberg	B65D 75/366				
			206/232				
3,878,657 A	4/1975	Ferver					
3,918,133 A *	11/1975	Schmitz	A61G 17/0136				
			27/2				
3,924,309 A *	12/1975	Andrus, Jr.	A61G 17/00				
			27/2				
3,964,140 A	6/1976	Gauchard					
3,968,921 A *	7/1976	Jewell	B65D 43/164				
			229/406				
D245,762 S *	9/1977	Takacs	D9/420				
4,156,956 A *	6/1979	Partridge	A61G 17/00				
			27/4				
4,174,556 A *	11/1979	Richings	A61G 17/00				
			27/7				
4,253,220 A *	3/1981	Work	A61G 17/00				
			27/35				
D262,585 S *	1/1982	Anema	D3/205				
4,320,562 A *	3/1982	Kelley	A61G 17/0136				
			27/2				
4,404,716 A	9/1983	Foust					
4,523,358 A	6/1985	Semon					
4,524,496 A *	6/1985	Tehsildar	F16C 11/103				
			27/18				
D292,626 S *	11/1987	Chevassus	D28/78				
D292,635 S	11/1987	McCormack et al.					
D298,070 S *	10/1988	Ferrari	D28/76				
D303,765 S *	10/1989	Kaplan	D9/423				
4,924,565 A *	5/1990	Rathjen	A61G 17/0136				
			27/7				
4,949,439 A	8/1990	Semon					
4,951,367 A	8/1990	Wolfe					
5,092,020 A	3/1992	Maguire					
5,127,112 A *	7/1992	Brock	A61G 17/0136				
			27/1				
5,135,792 A	8/1992	Hogan					
D337,049 S *	7/1993	Morgan	D9/420				
5,231,741 A	8/1993	Maguire					
5,245,733 A	9/1993	Goria					
RE34,846 E	2/1995	McGuire					
5,444,900 A	8/1995	Shawhan et al.					
5,495,938 A *	3/1996	Bedford	A45C 11/34				
			206/214				
5,568,677 A	10/1996	Tobin					
5,570,493 A *	11/1996	Gulick	A61G 17/028				
			27/18				
5,615,464 A	4/1997	Rojdev					
D379,263 S *	5/1997	Sussman	D3/264				
5,659,932 A	8/1997	Wright					
5,722,133 A	3/1998	Farris					
D430,727 S *	9/2000	Wisniewski	D3/201				
6,269,526 B1	8/2001	Bischoff et al.					
D528,733 S	9/2006	Spiegel					
7,204,003 B2	4/2007	Davis et al.					
7,322,079 B2	1/2008	Davis et al.					
7,350,278 B2	4/2008	Davis et al.					
D583,125 S	12/2008	Hubbard					
7,621,027 B2 *	11/2009	Biterman	A61G 17/04				
			27/19				
7,703,186 B1 *	4/2010	Williamson	A61G 17/007				
			27/2				
D617,075 S	6/2010	Hubbard					
D636,598 S *	4/2011	Tseng	D3/294				
8,104,152 B2	1/2012	Spiers					
D663,915 S	7/2012	Skov					
8,214,978 B1 *	7/2012	Moran	A61G 17/034				
			27/14				
8,240,013 B2 *	8/2012	Williamson	A61G 17/00				
			27/2				
D675,434 S *	2/2013	Vernall	D3/294				
D711,063 S *	8/2014	Kemble	D99/1				
8,955,205 B2 *	2/2015	Beliveau	A61G 17/0076				
			27/11				
D740,018 S *	10/2015	Zhang	D3/201				
D758,805 S *	6/2016	Myoung	D7/629				
D795,056 S *	8/2017	Zeitlin	D9/420				
D800,550 S *	10/2017	Zeitlin	D9/420				
D810,431 S *	2/2018	Kim	D3/266				
D824,249 S *	7/2018	Mei	D9/426				
D860,539 S *	9/2019	Staab	D28/83				
D861,992 S *	10/2019	Staab	D28/83				
D872,412 S *	1/2020	Mullins	D99/1				
D899,025 S *	10/2020	Pelletier	D99/1				
2005/0050701 A1	3/2005	Davis et al.					
2007/0091871 A1	4/2007	Taha					
2009/0044826 A1 *	2/2009	Eng	A45D 33/008				
			132/295				
2010/0186207 A1	7/2010	Moore et al.					
2012/0037534 A1 *	2/2012	Omage	B65D 51/20				
			206/557				
2012/0096692 A1 *	4/2012	Filipek	A61G 17/0076				
			27/6				

\* cited by examiner

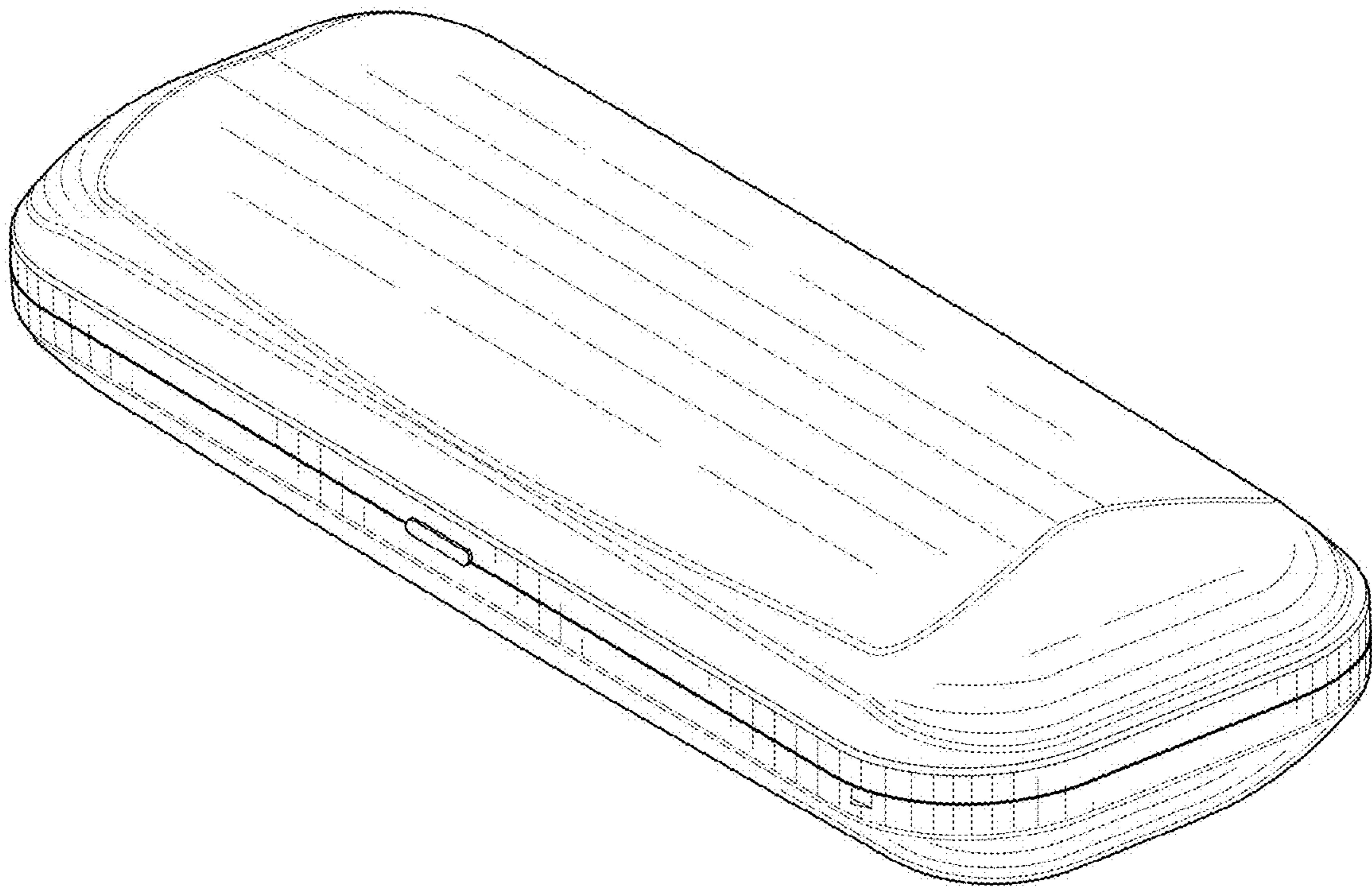


FIG.1

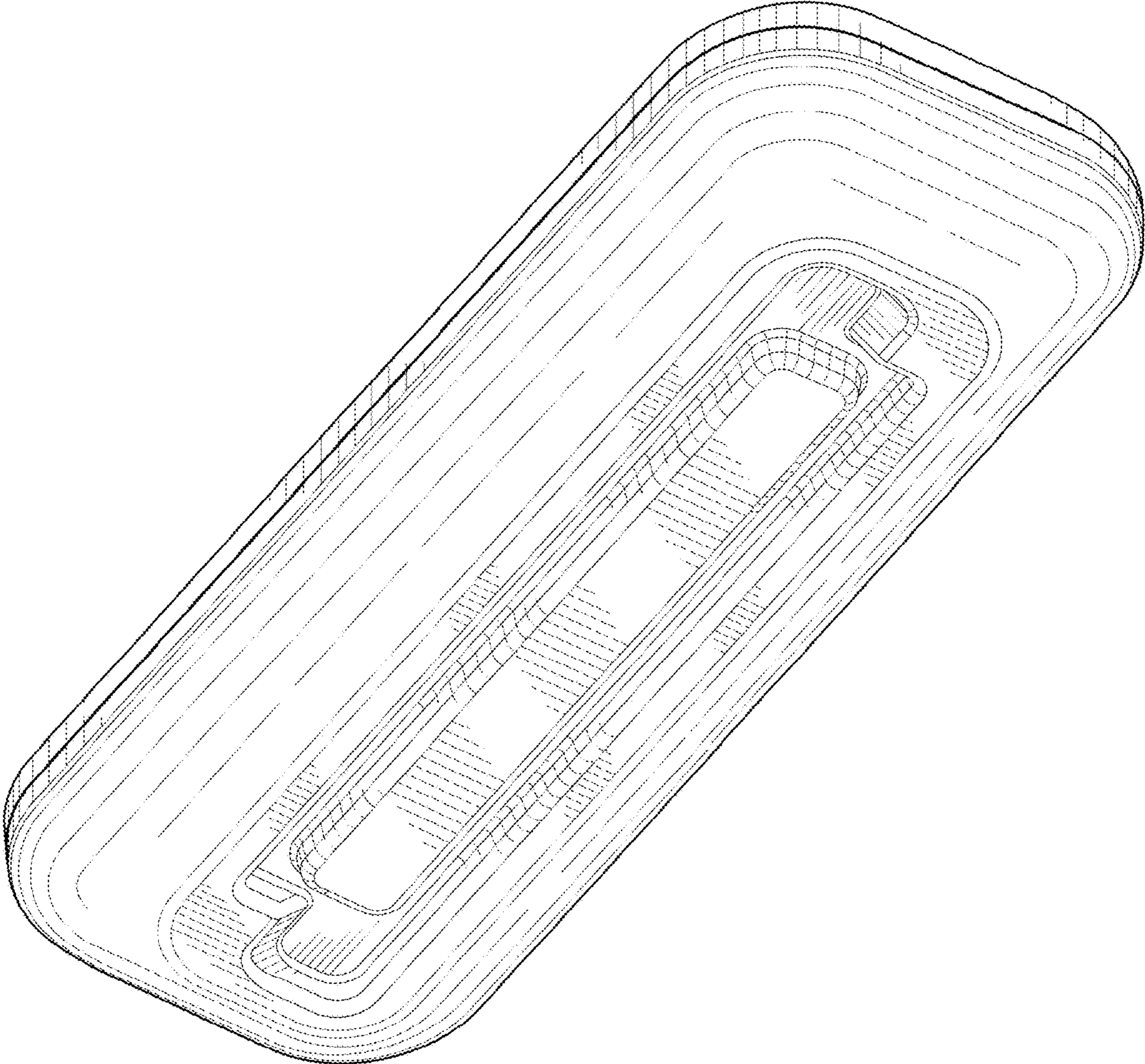


FIG.2

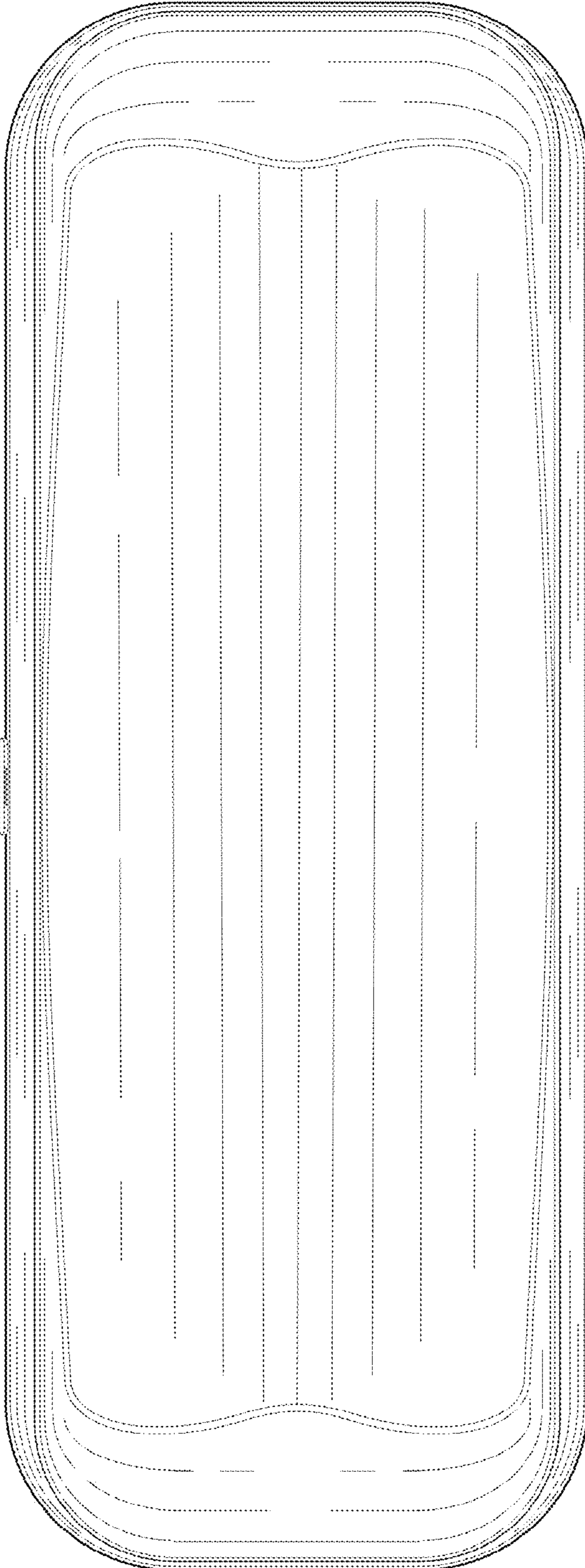


FIG.3

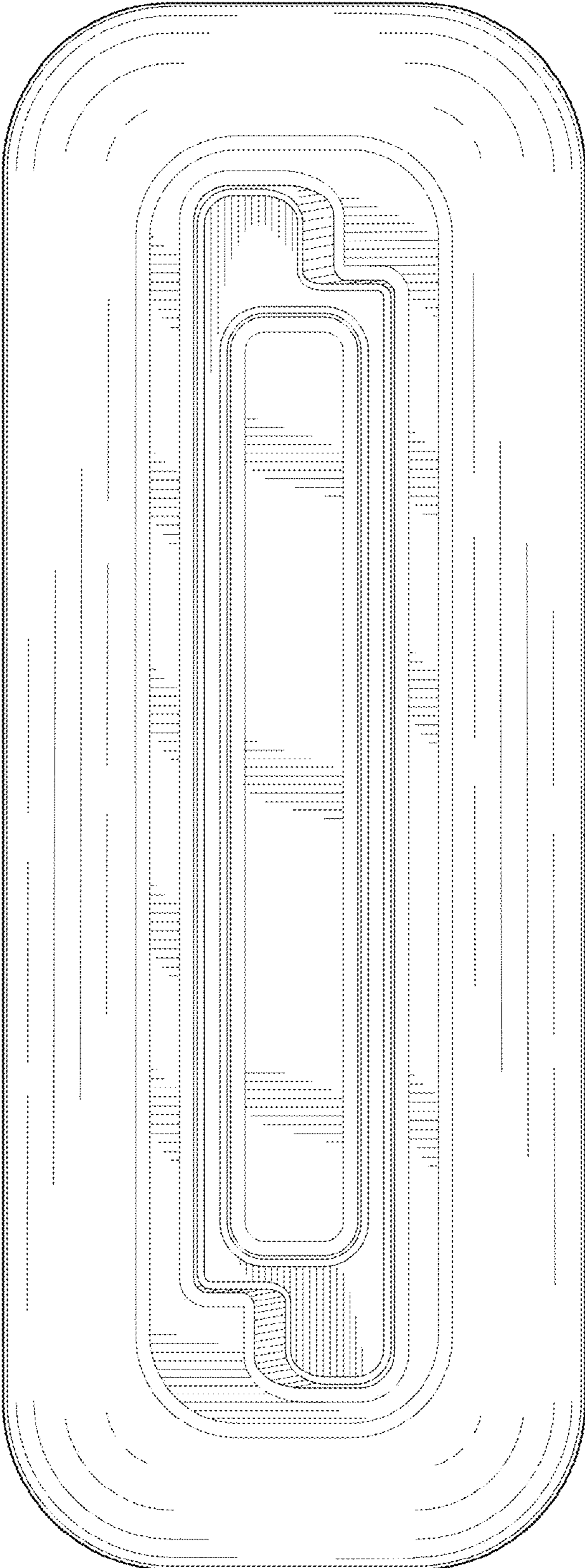


FIG.4

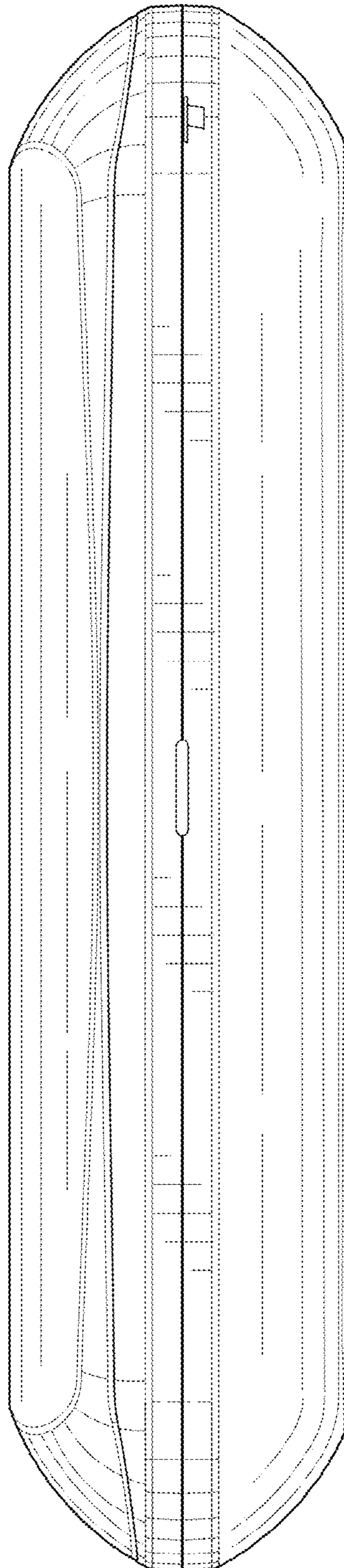


FIG.5

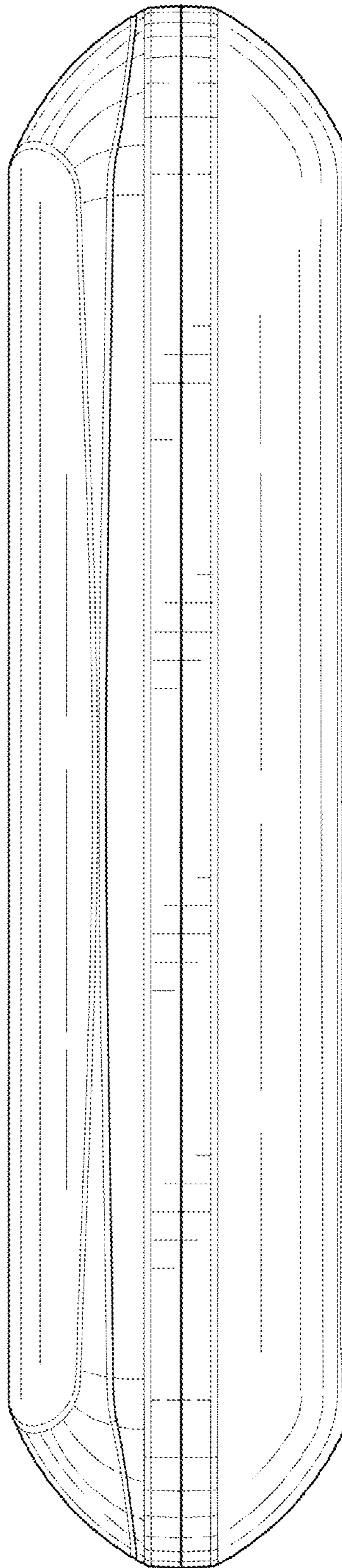


FIG.6



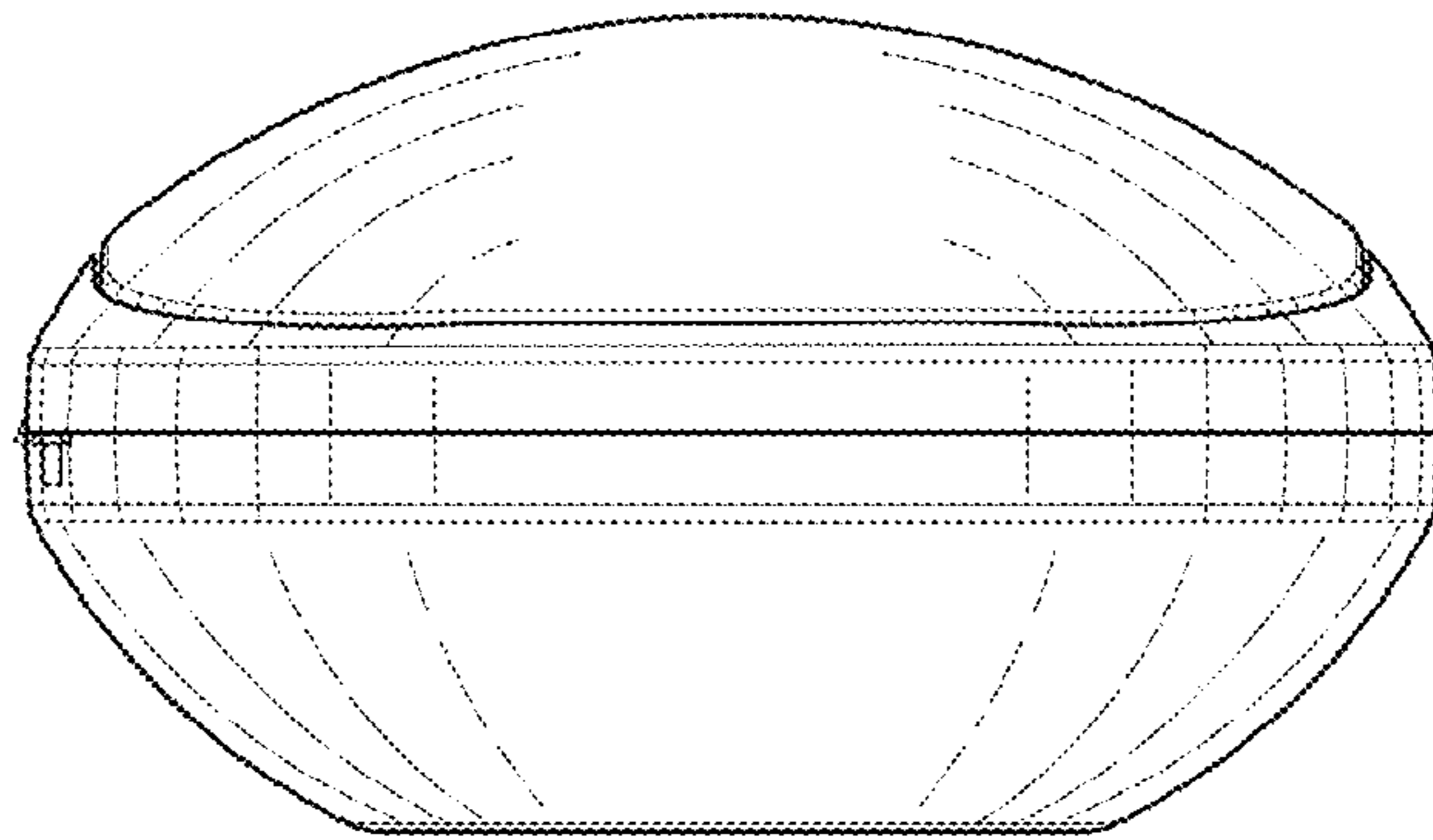


FIG.7

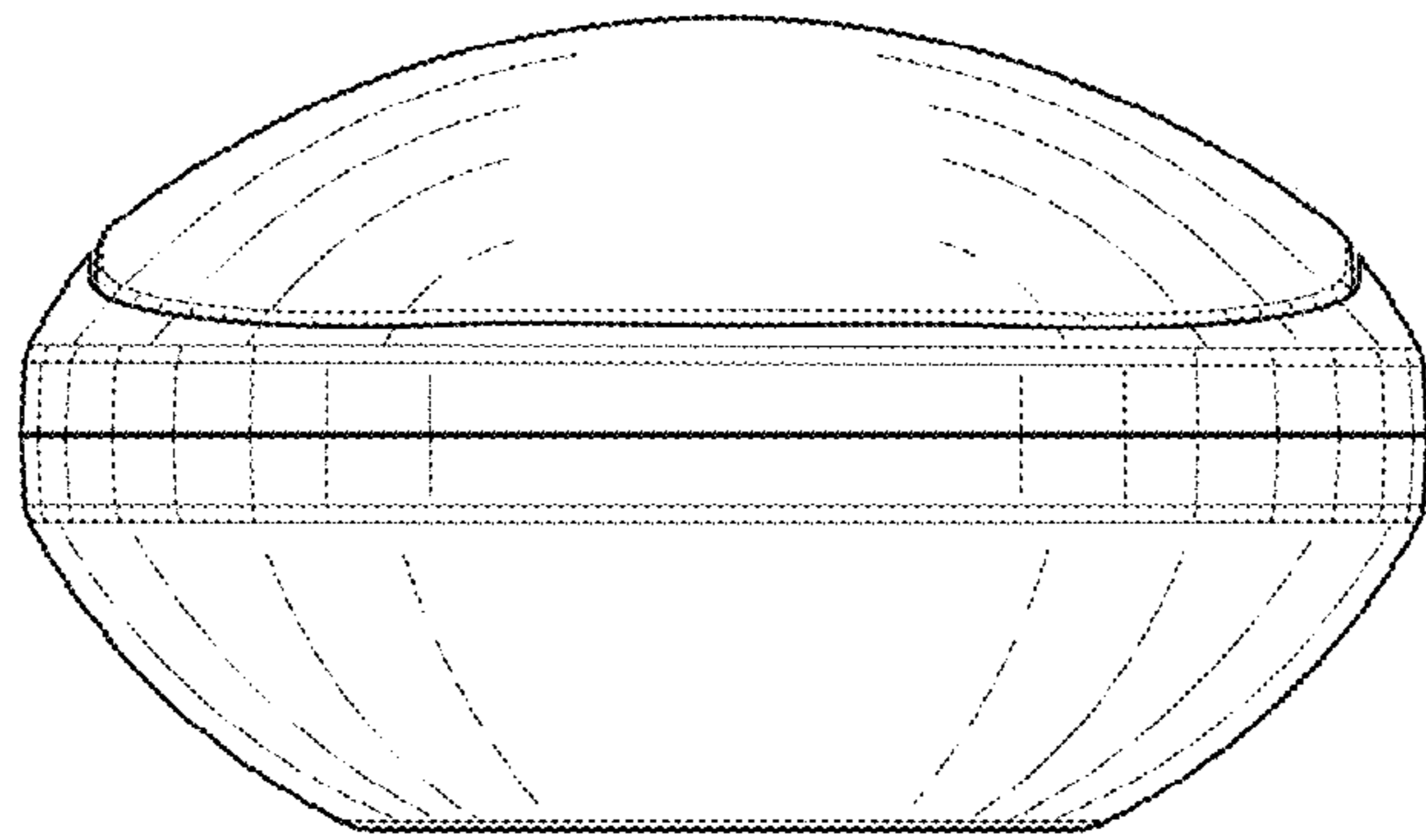


FIG.8

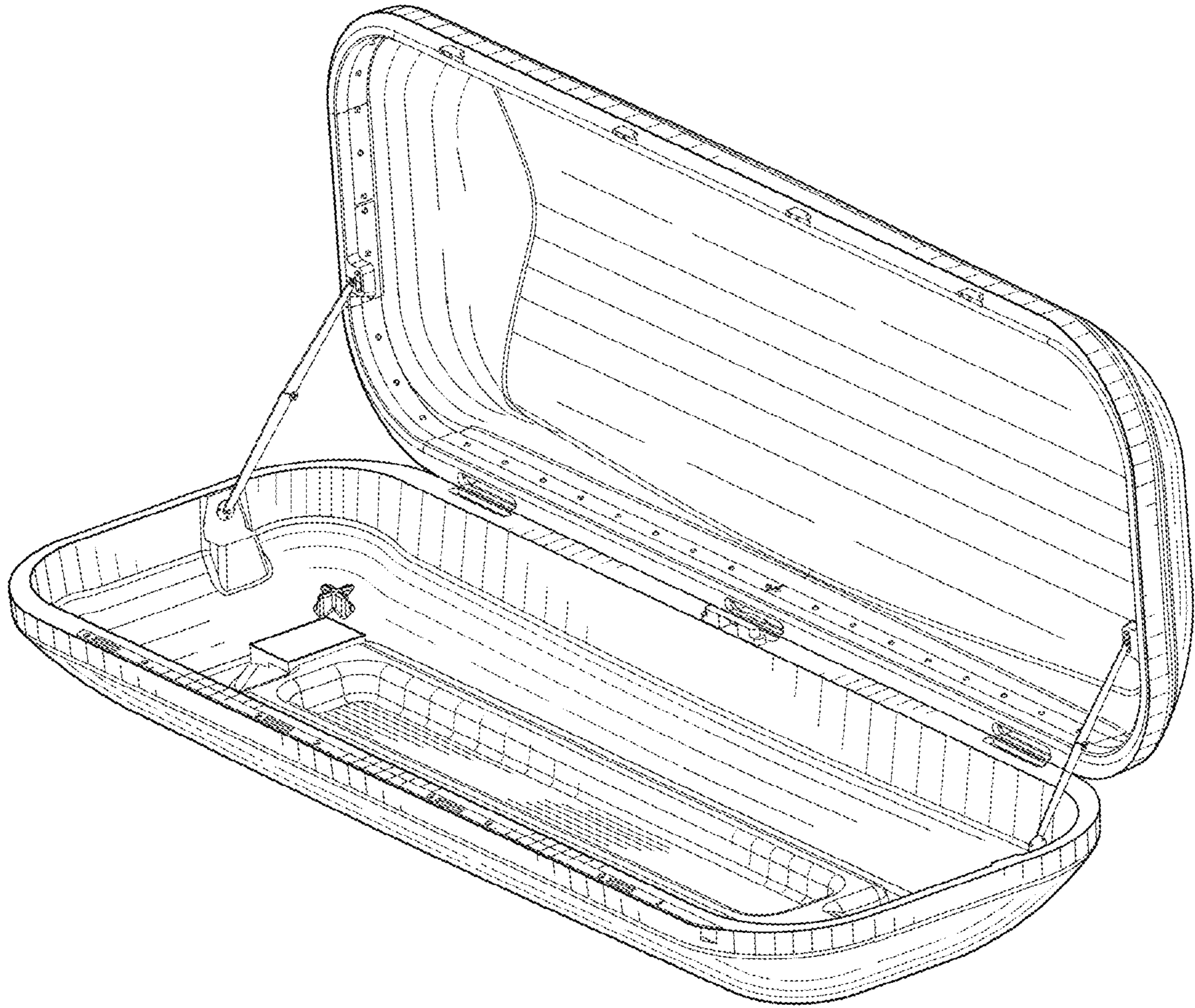


FIG.9

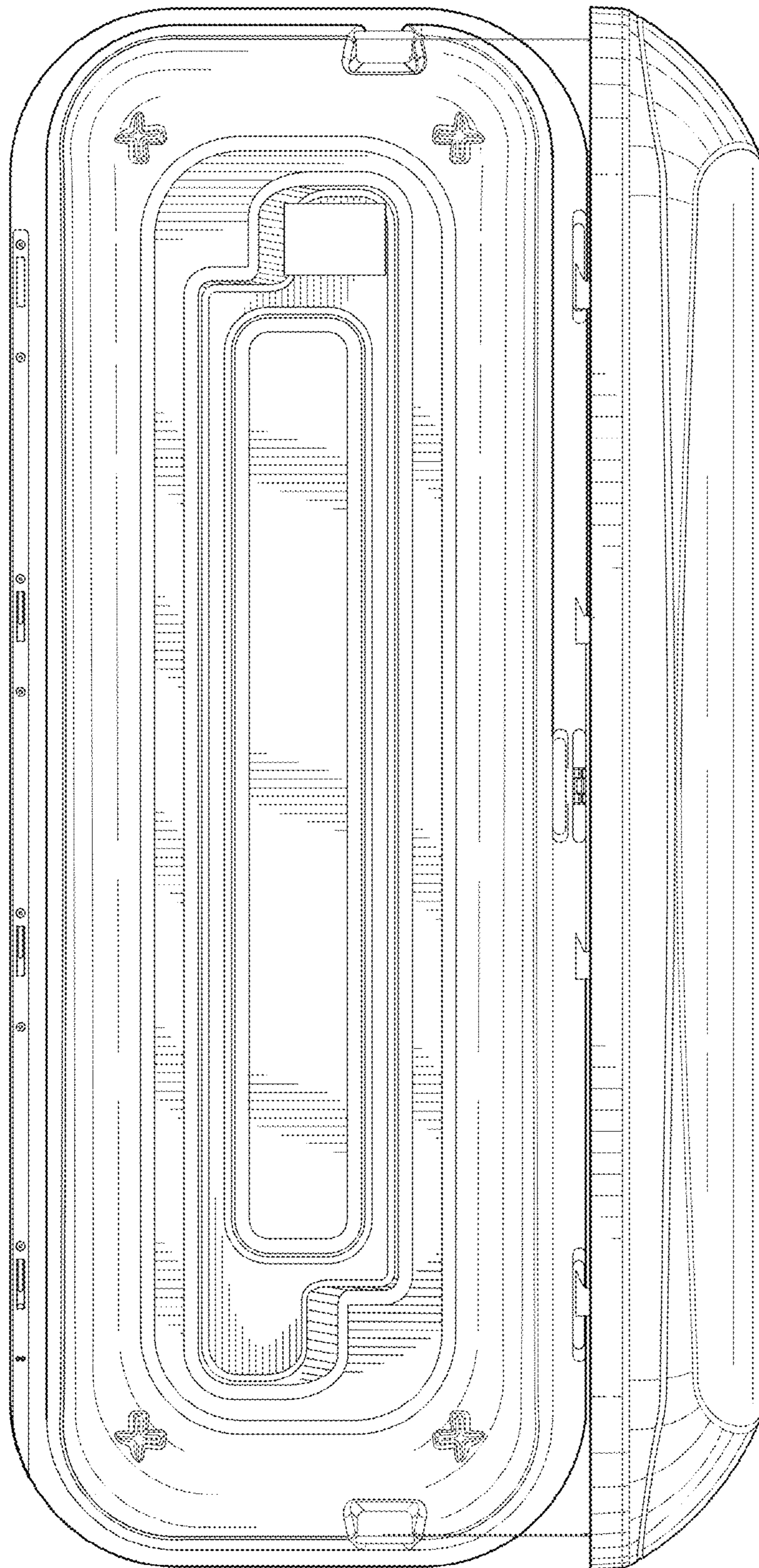


FIG.10

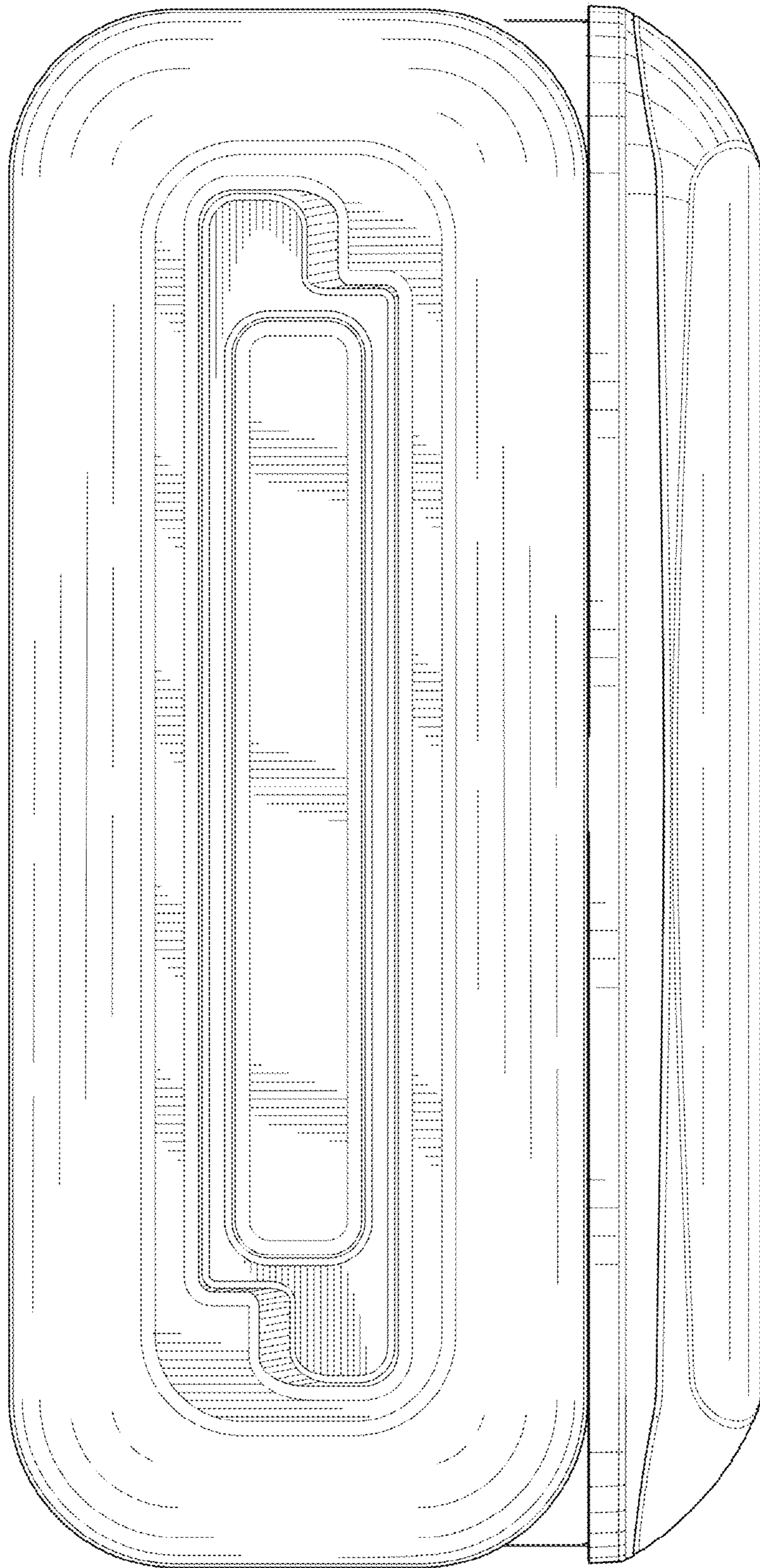


FIG.11

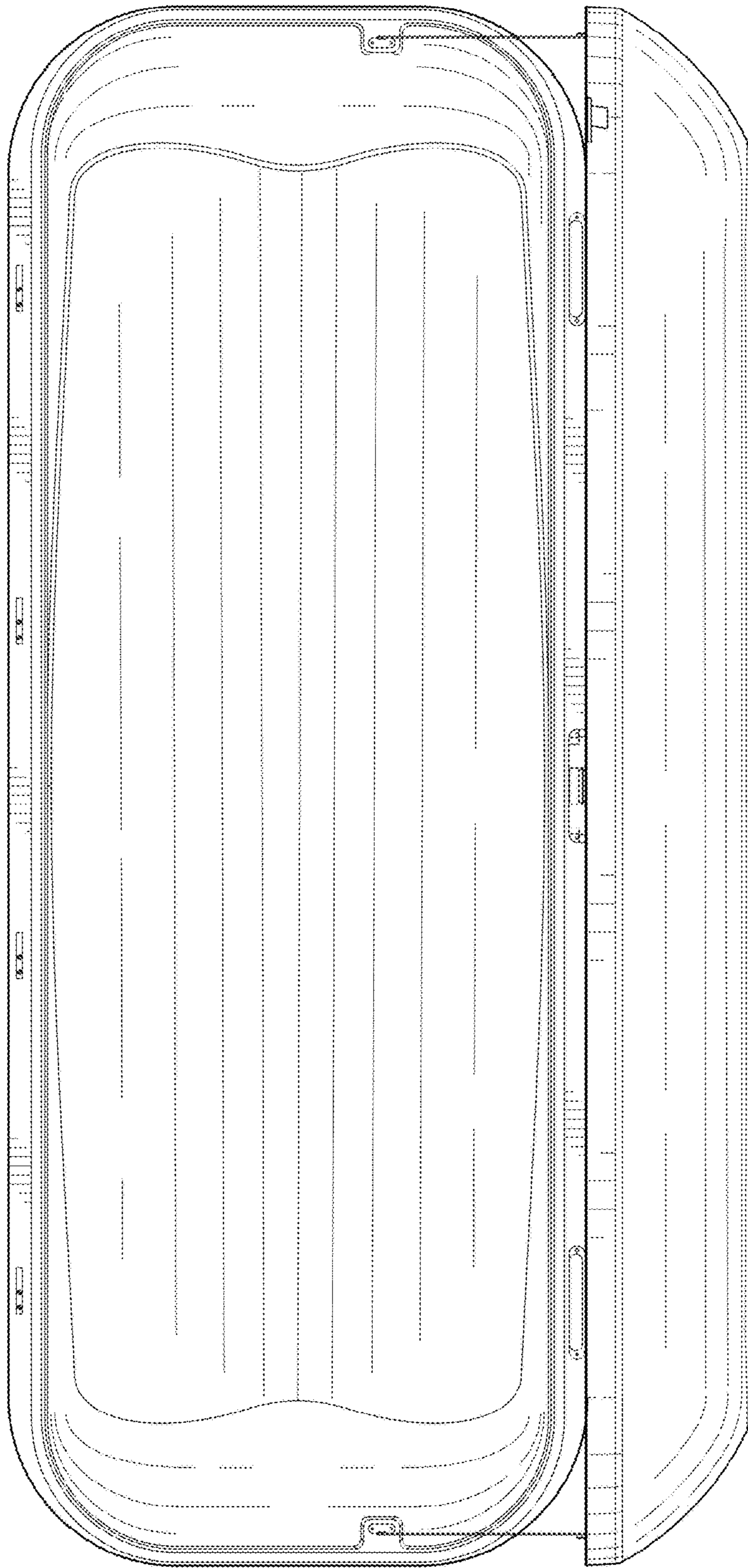


FIG.12

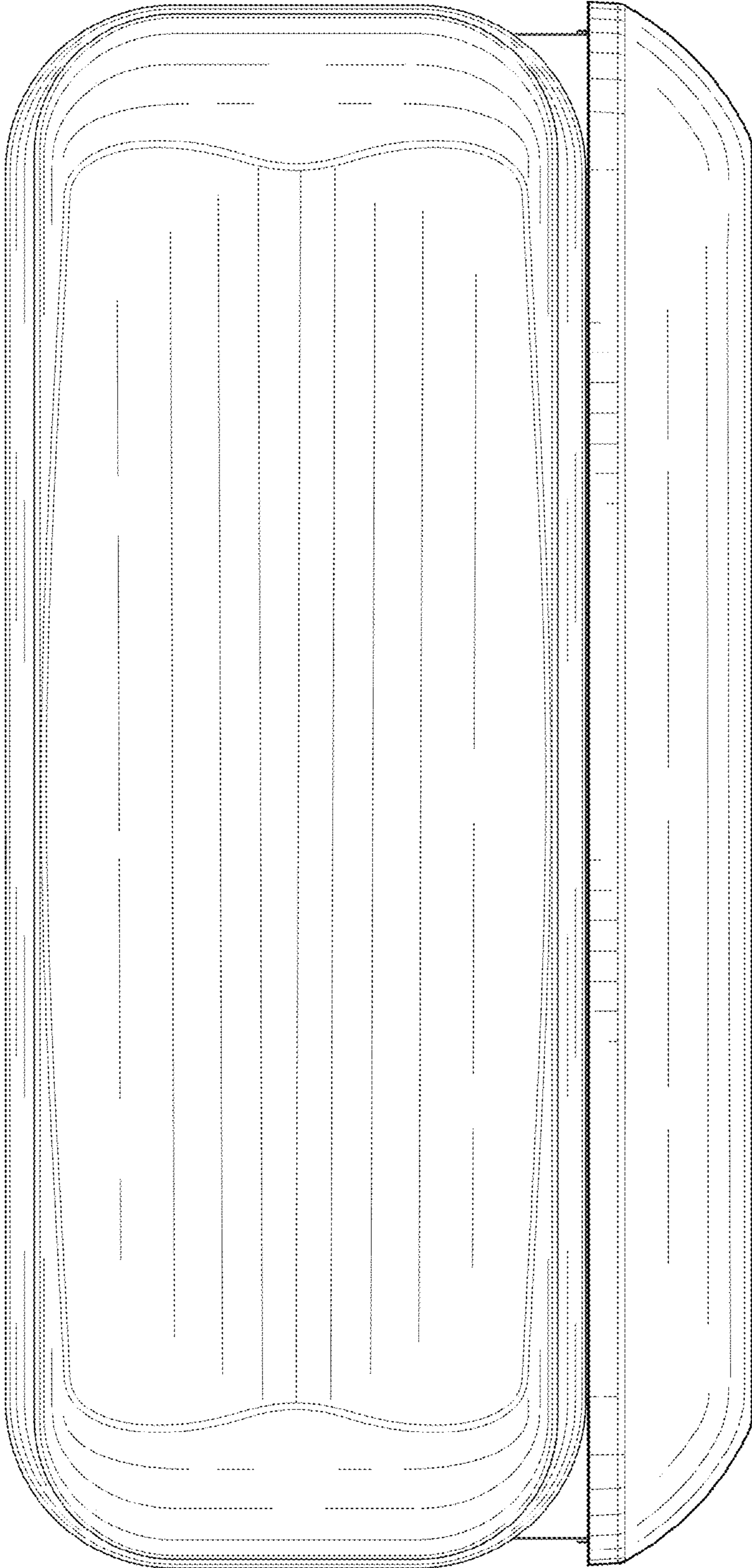


FIG.13

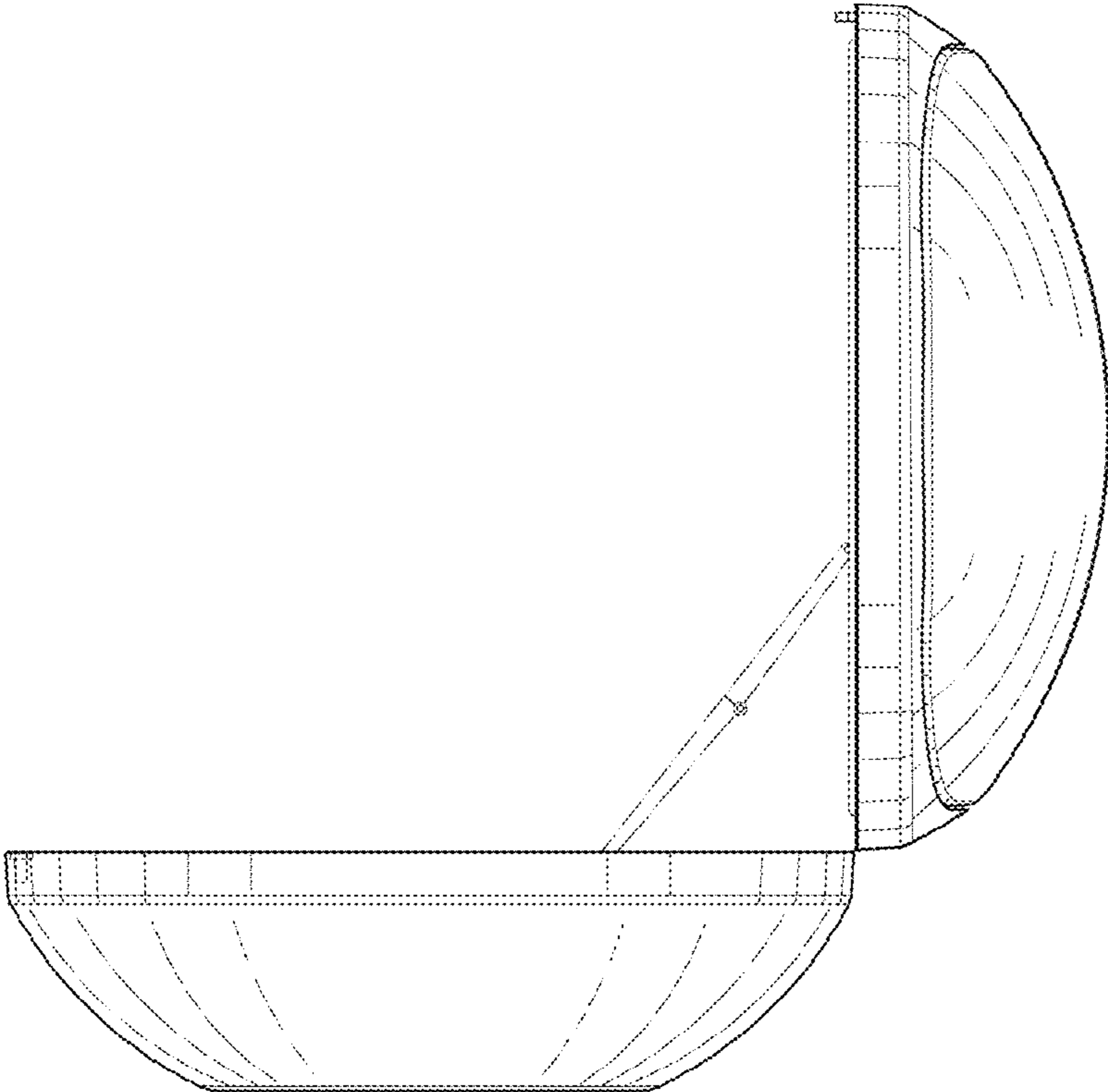


FIG.14



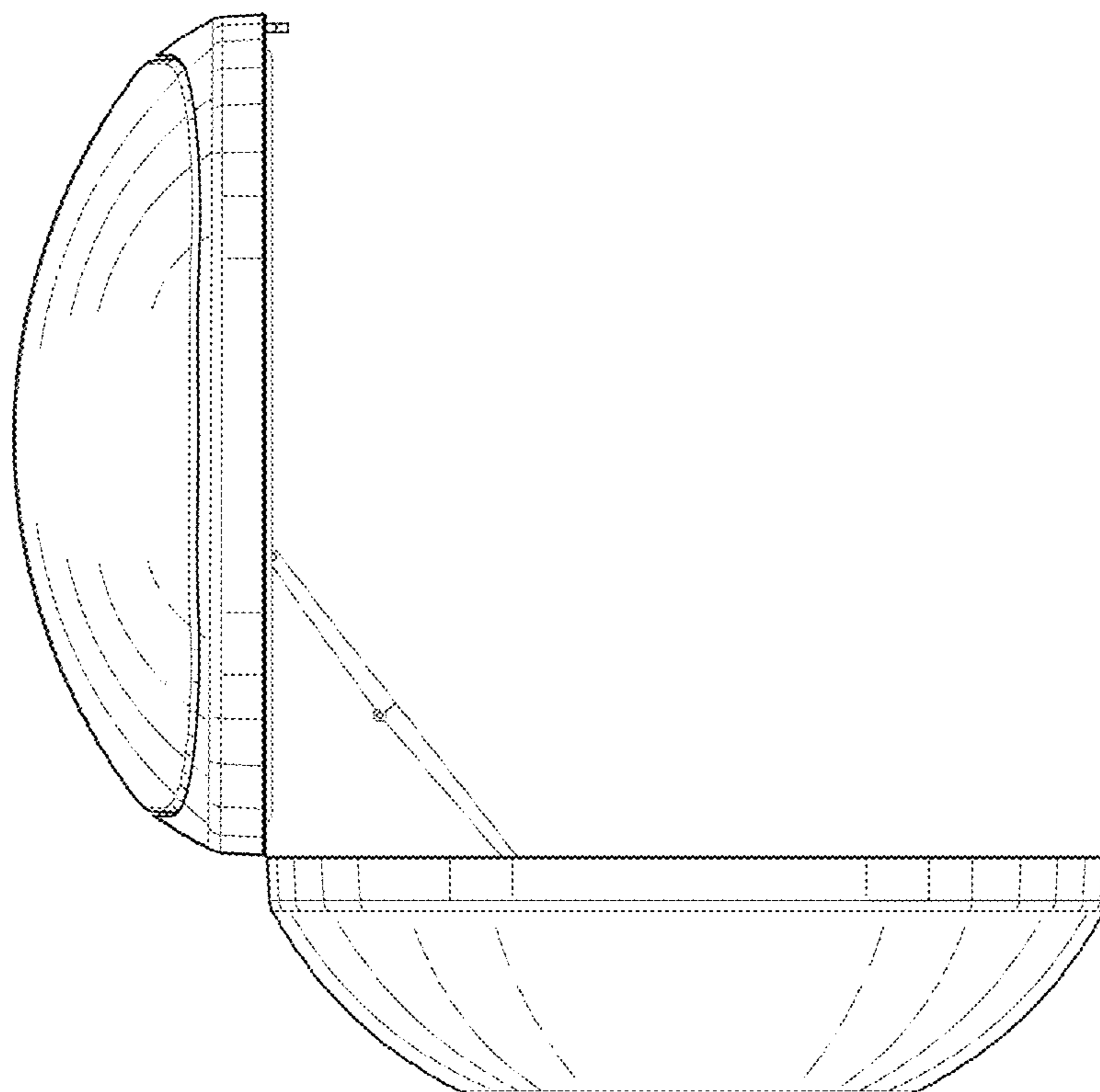


FIG.15