



US00D922024S

(12) **United States Design Patent** (10) **Patent No.:** **US D922,024 S**
Wang (45) **Date of Patent:** **** Jun. 8, 2021**

(54) **SADDLE OF LIFTING-JACK**

(71) Applicant: **Top Rank Industrial Co., Ltd.**,
Taichung (TW)
(72) Inventor: **Ting-Hsien Wang**, Taichung (TW)
(73) Assignee: **TOP RANK INDUSTRIAL CO., LTD.**,
Taichung (TW)

(**) Term: **15 Years**

(21) Appl. No.: **29/718,381**

(22) Filed: **Dec. 24, 2019**

(30) **Foreign Application Priority Data**

Sep. 6, 2019 (TW) 108305412

(51) **LOC (13) Cl.** **12-05**

(52) **U.S. Cl.**
USPC **D34/35**

(58) **Field of Classification Search**
USPC D34/12-39; D8/382, 356, 349, 353, 354,
D8/380; D12/106; D25/119
CPC B66F 3/18; B66F 13/00; F16L 1/06; F16L
1/0246; E02D 5/08
See application file for complete search history.

(56) **References Cited**

U.S. PATENT DOCUMENTS

D264,552 S * 5/1982 Bogren D8/387
D566,731 S * 4/2008 Myers D15/17
D742,720 S * 11/2015 Perry D8/349
D769,108 S * 10/2016 Eberl D8/380
D779,313 S * 2/2017 Ukai E05F 5/022
D805,884 S * 12/2017 Evitt D8/382

OTHER PUBLICATIONS

DEDC floorjack, announced 2019 [online], [site visited Jan. 5, 2021], Available from internet, URL: https://www.amazon.com/dp/B07P4L2BGL/ref=sm_n_au_dka_US_pr_con_0_3 (Year: 2019).*
DEDC floorjack 2, announced Nov. 2019 [online], [site visited Jan. 5, 2021], Available from internet, URL: https://www.amazon.com/dp/B081JN9QYH/ref=sspa_dk_detail_1 (Year: 2019).*

* cited by examiner

Primary Examiner — George A Bugg

Assistant Examiner — Tamara L Hahn

(74) *Attorney, Agent, or Firm* — Raymond Chan

(57) **CLAIM**

The ornamental design for a saddle of lifting-jack, as shown and described.

DESCRIPTION

FIG. 1 is a perspective view of saddle of lifting-jack showing my new design.

FIG. 2 is another perspective view thereof;

FIG. 3 is a front view thereof;

FIG. 4 is a rear view thereof;

FIG. 5 is a left view thereof;

FIG. 6 is a right view thereof;

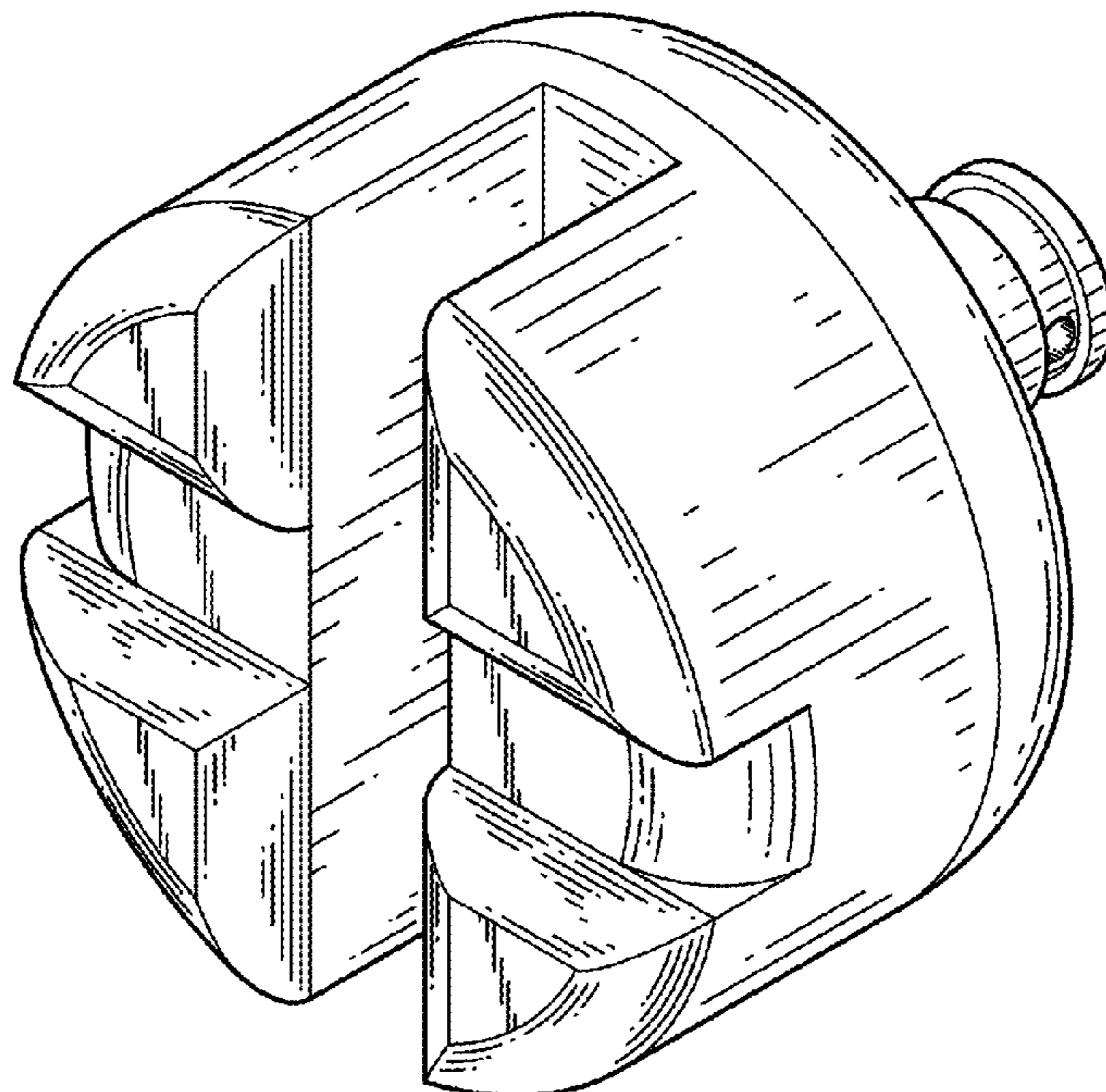
FIG. 7 is a top view thereof;

FIG. 8 is a bottom view thereof; and,

FIG. 9 is a perspective view showing the saddle of lifting-jack in condition of use.

The broken line in the drawing is included for the purpose of illustrating environmental detail and forms no part of the claimed design.

1 Claim, 9 Drawing Sheets



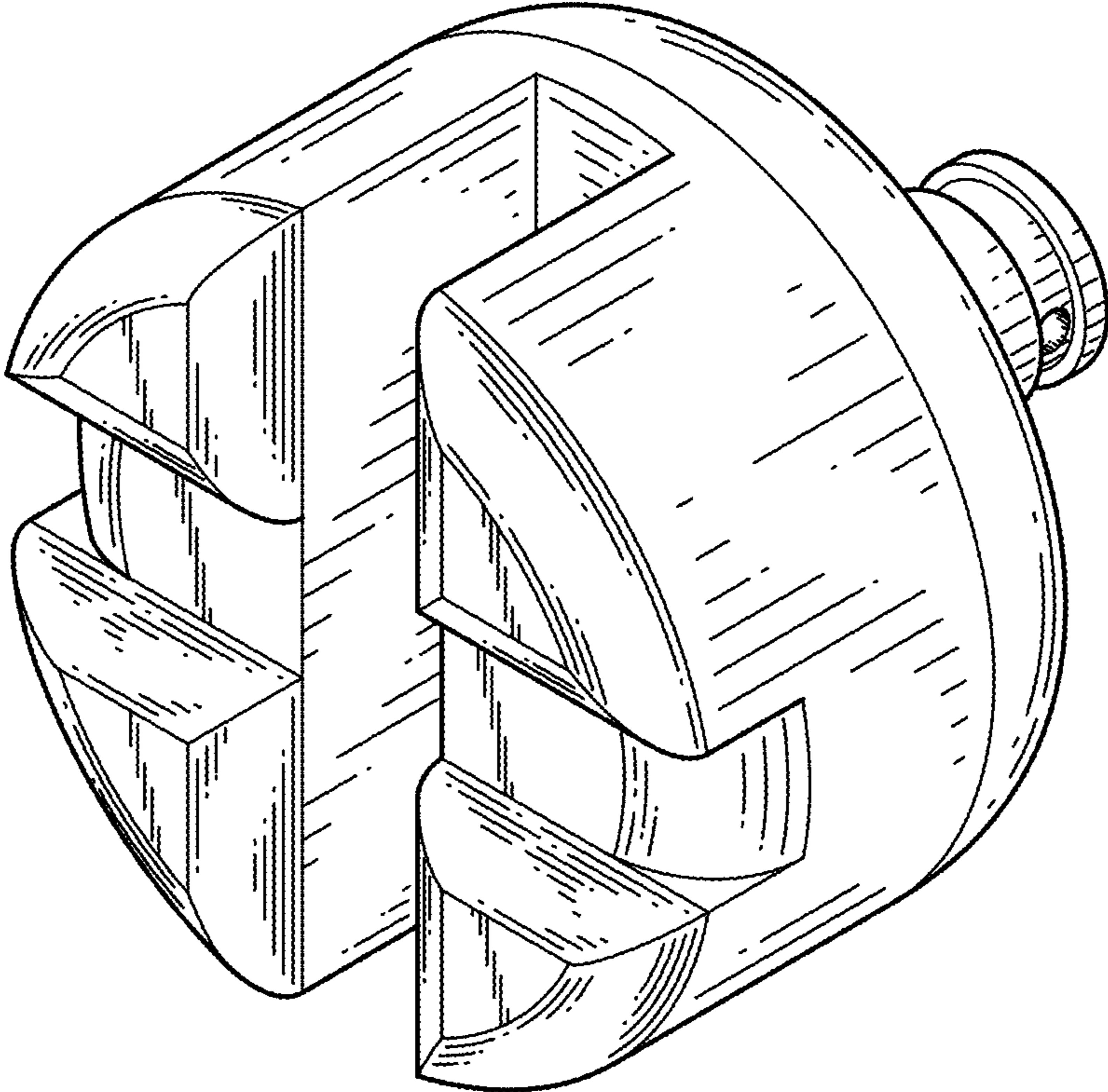


FIG. 1

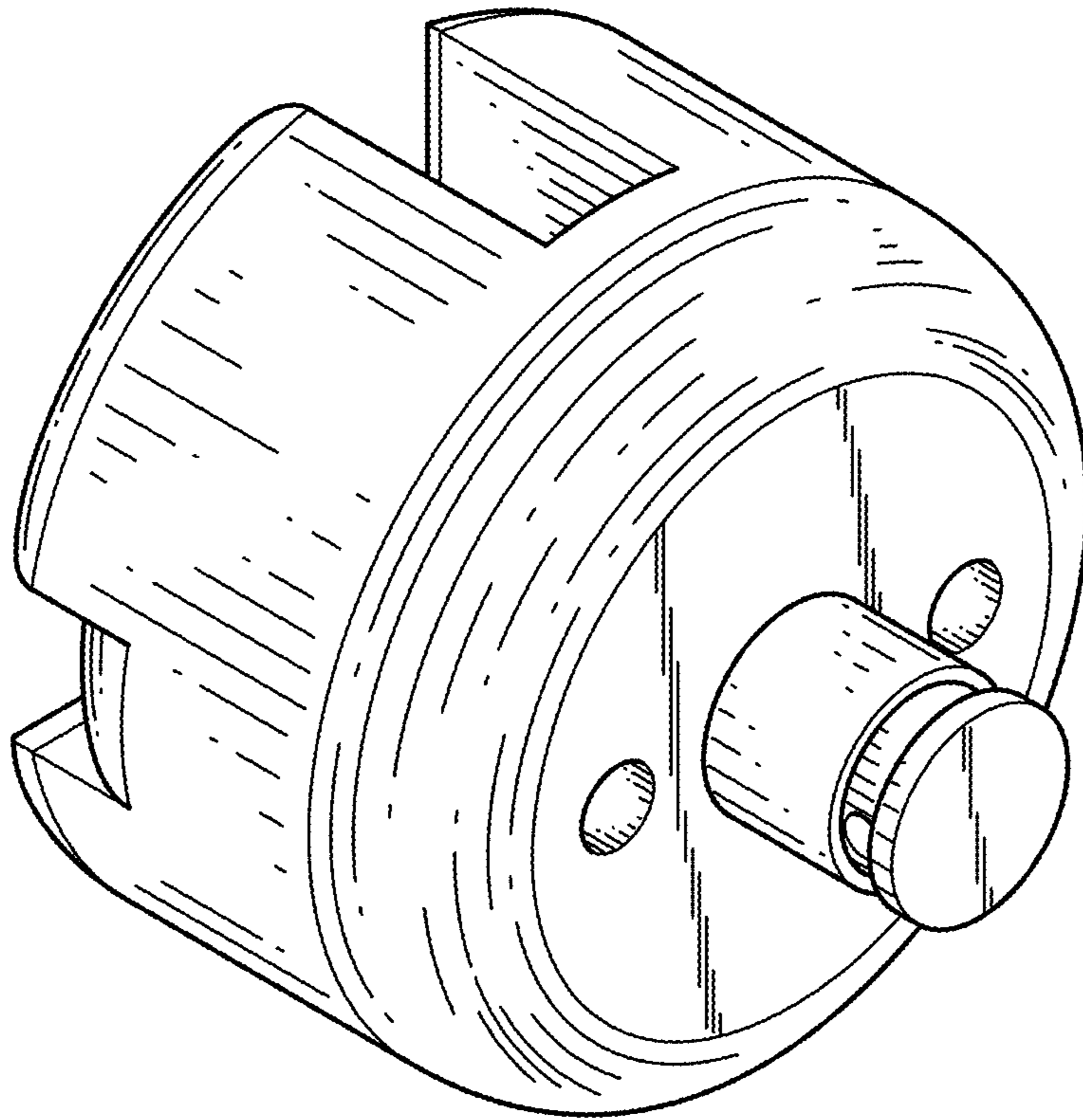


FIG. 2

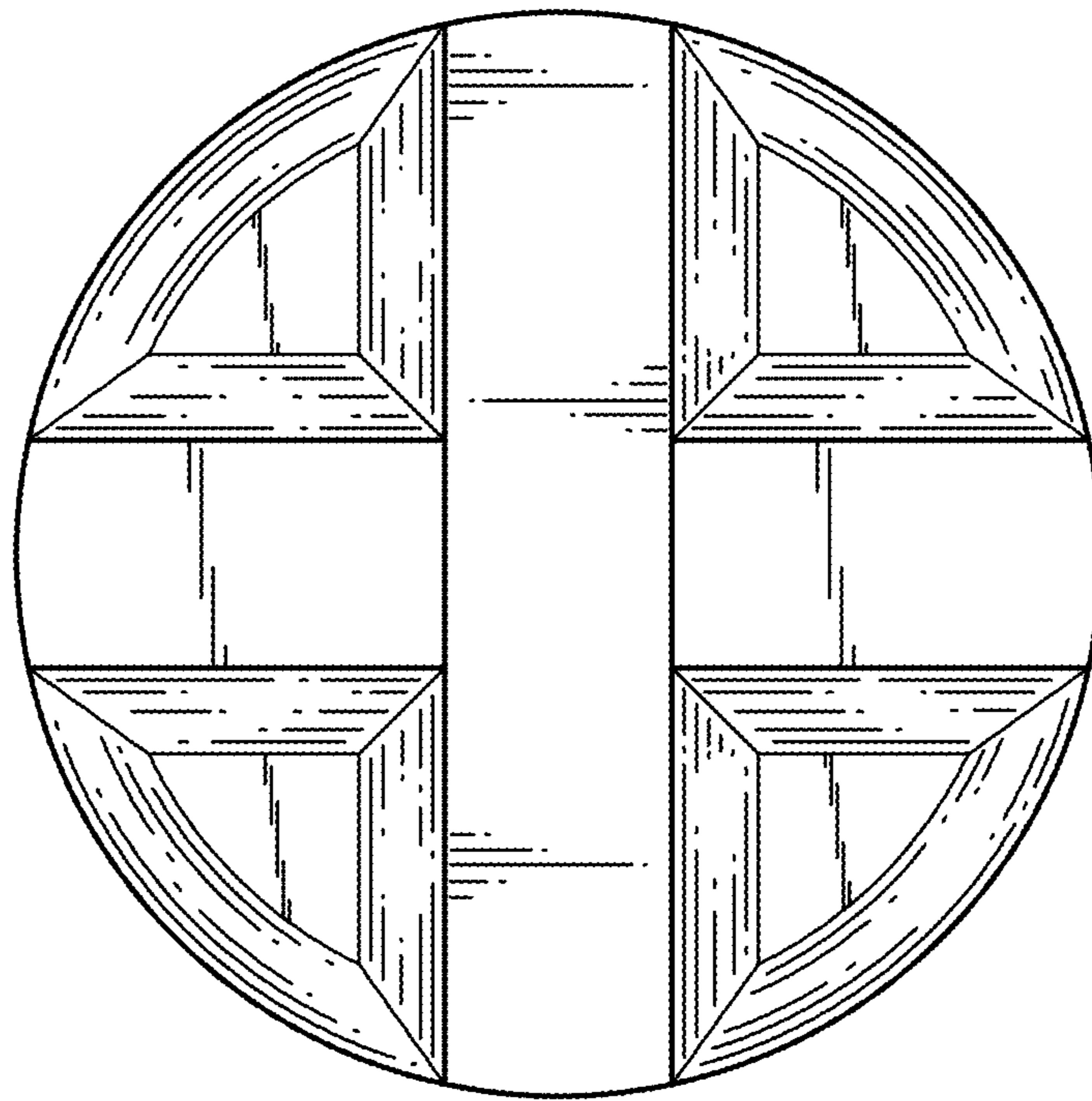


FIG. 3

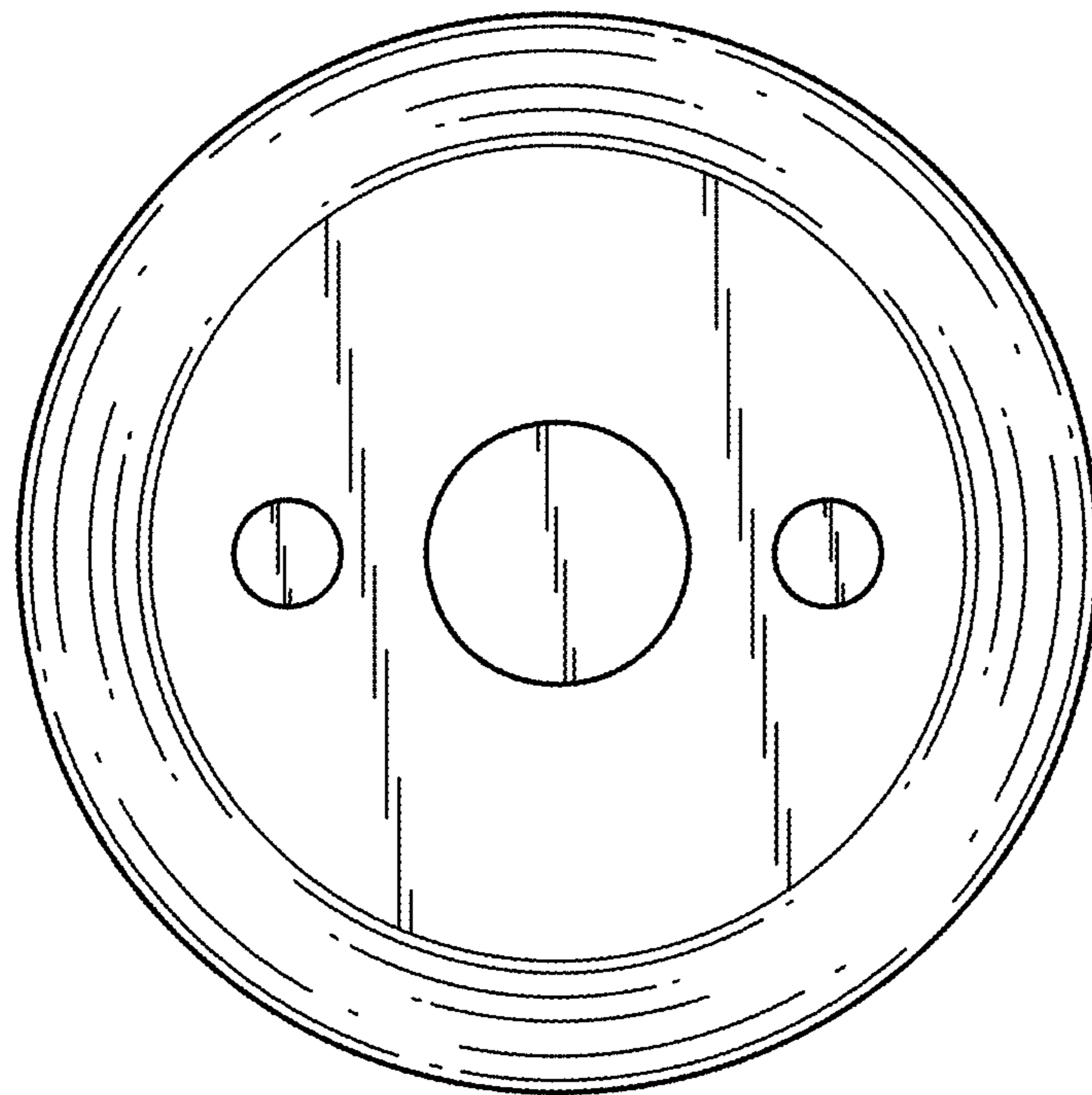


FIG. 4

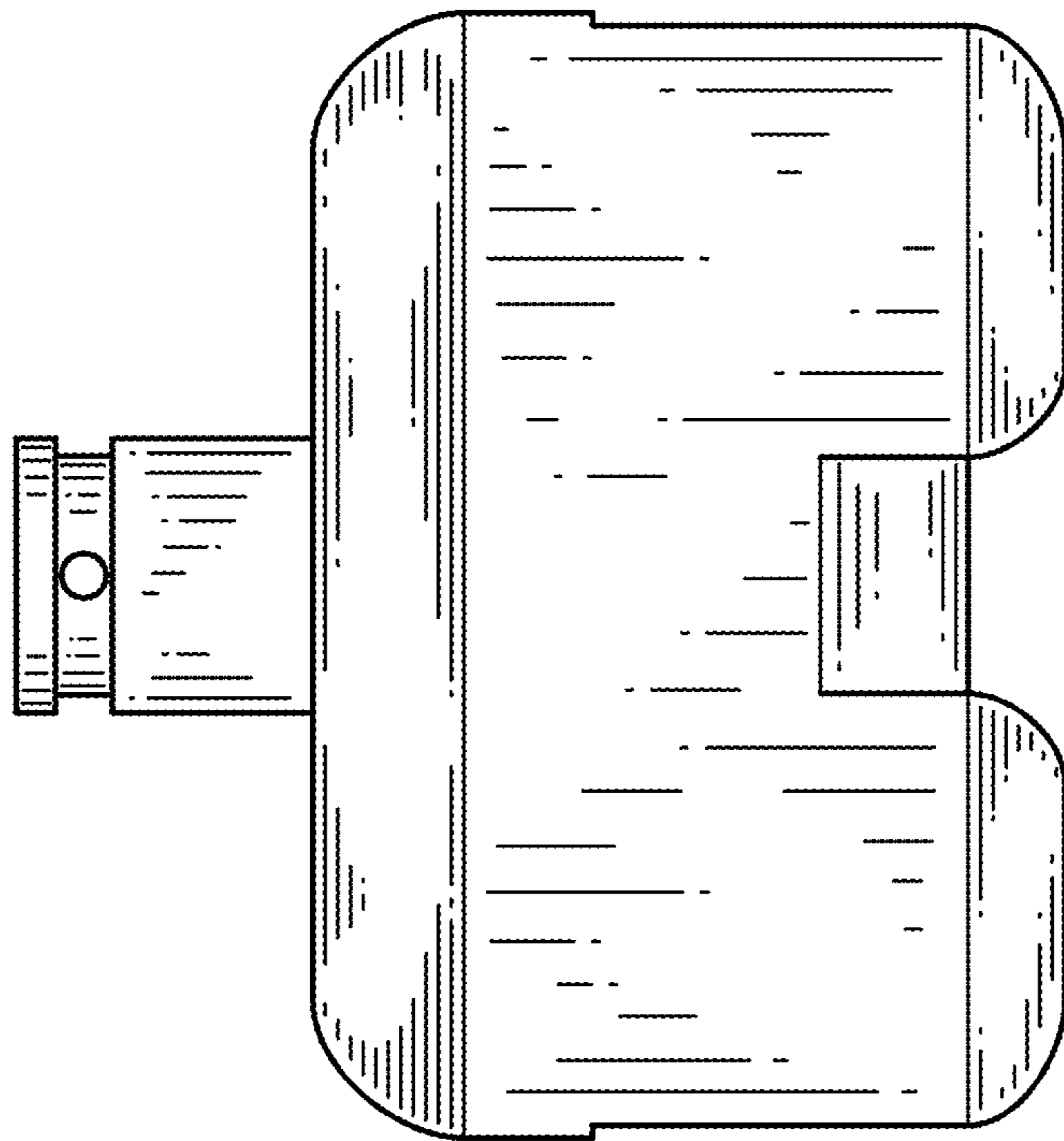


FIG. 5

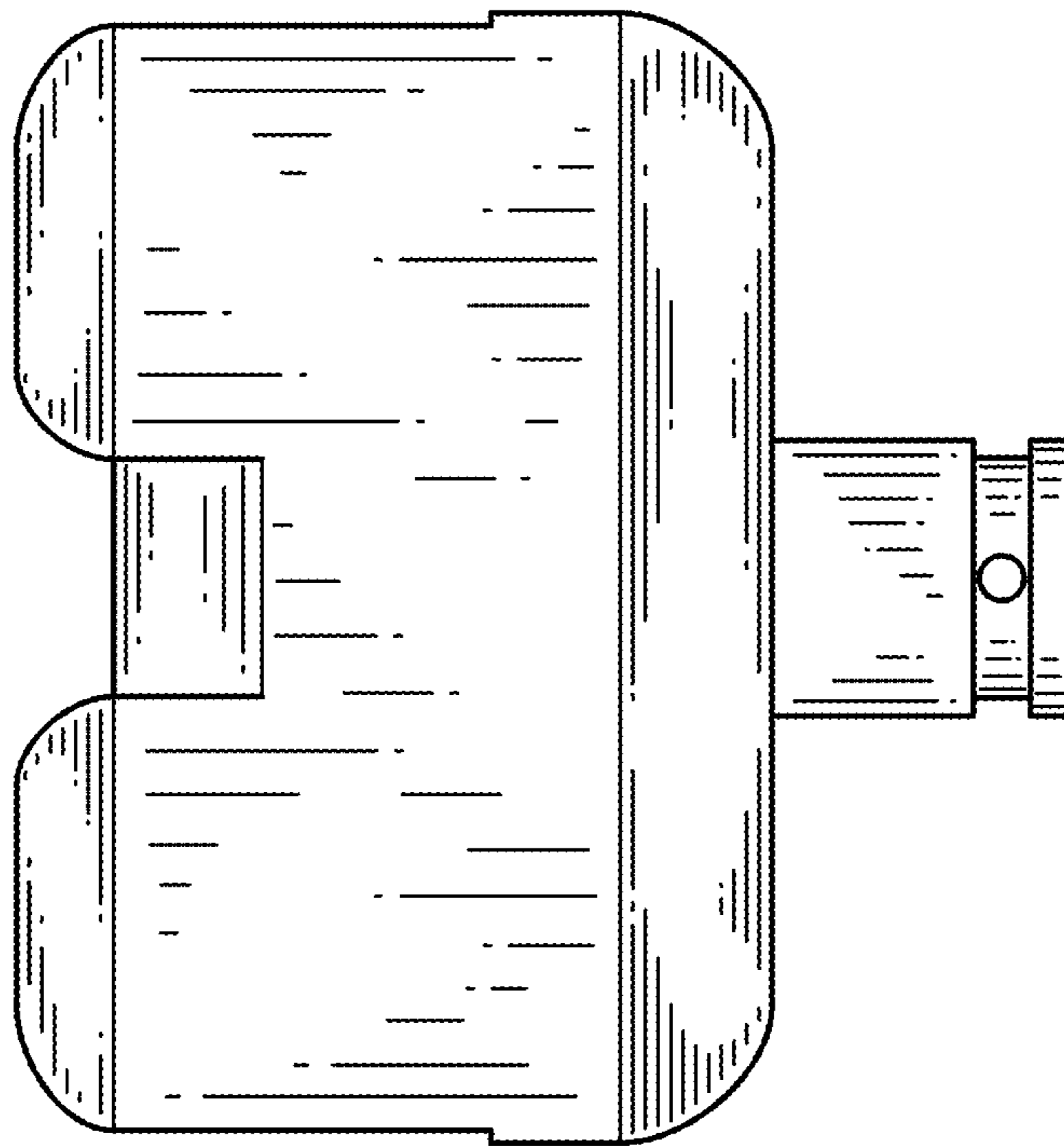


FIG. 6

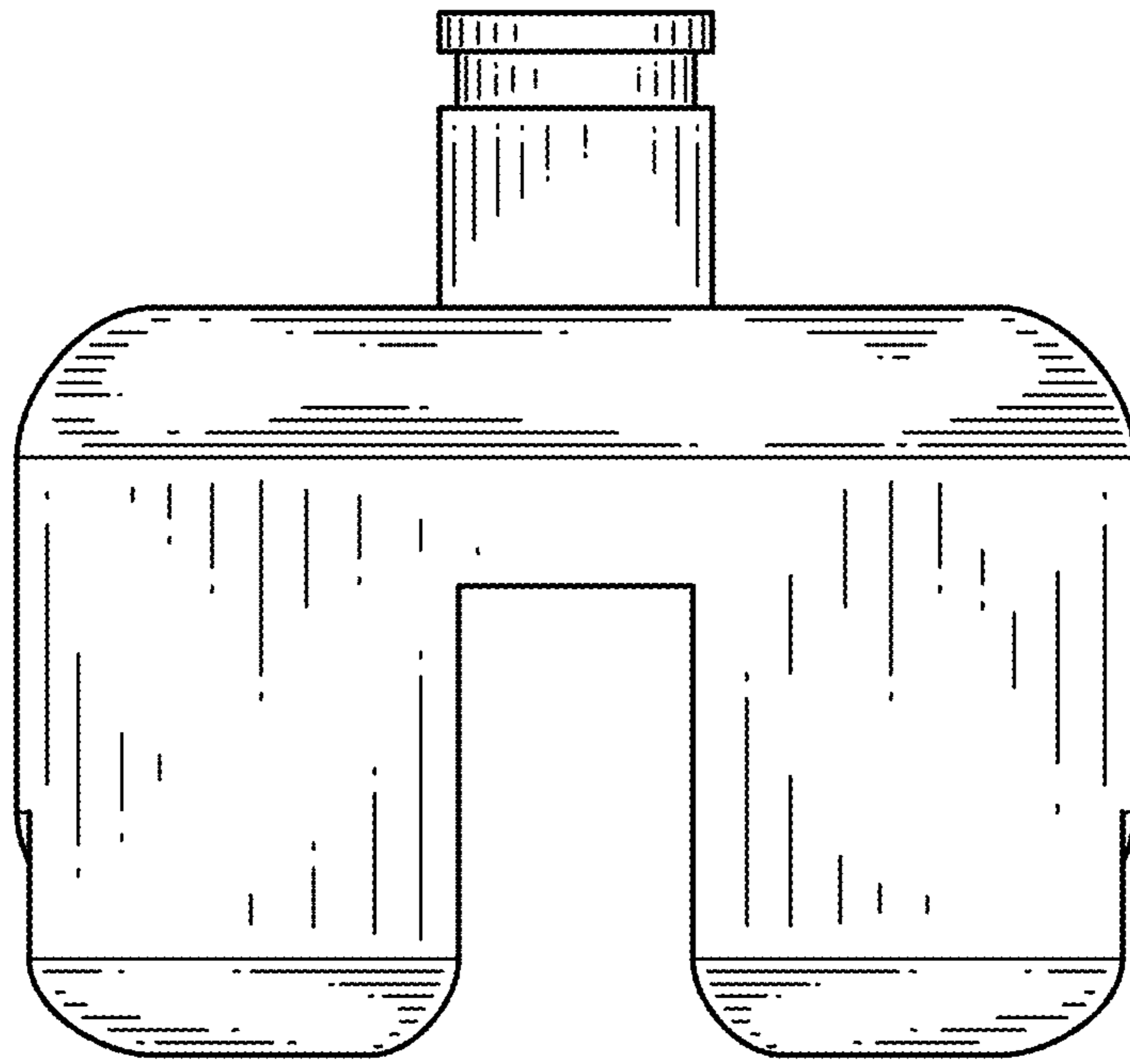


FIG. 7

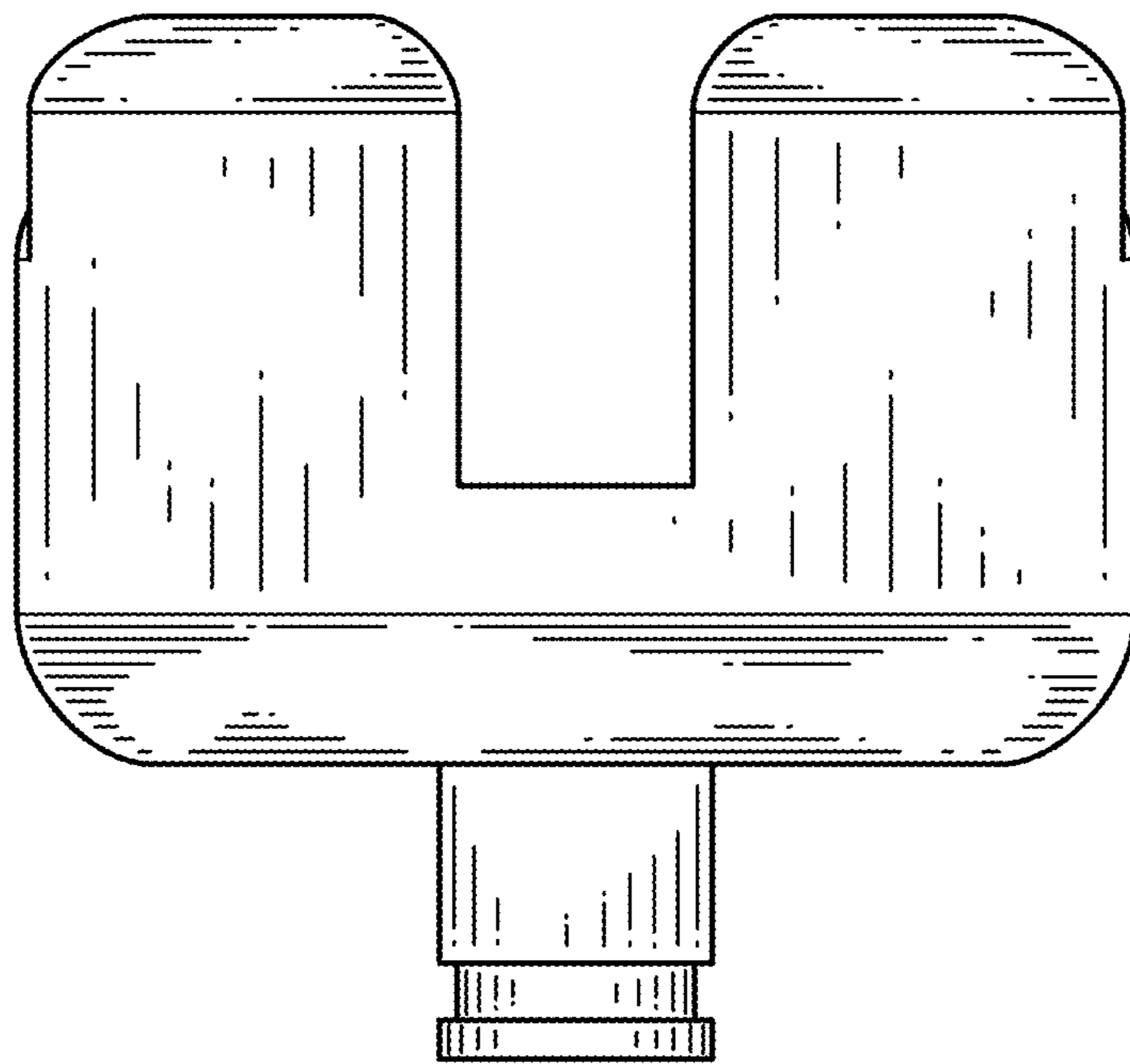


FIG. 8

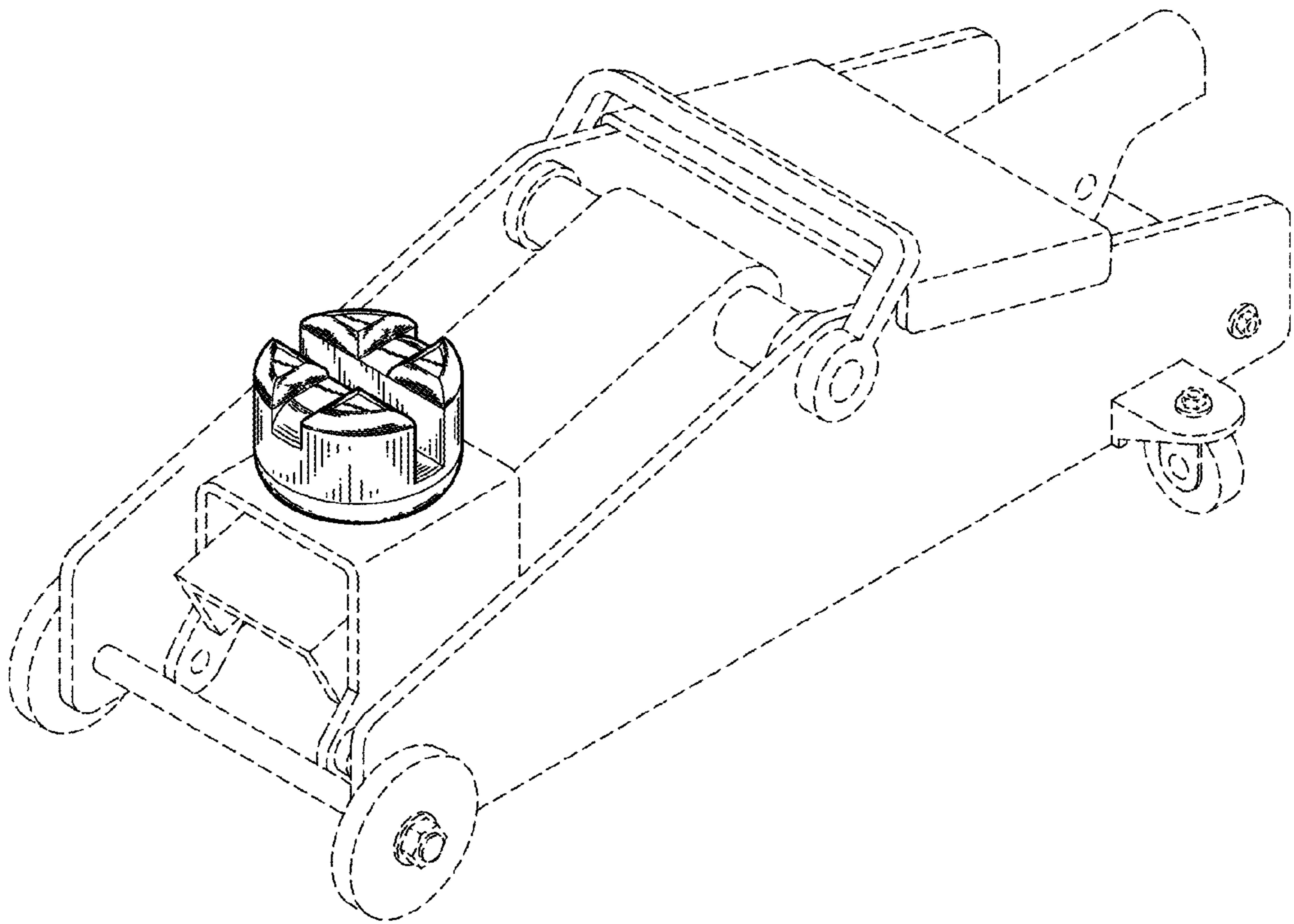


FIG. 9